



US00D726130S

(12) **United States Design Patent**
Burgett et al.

(10) **Patent No.:** **US D726,130 S**

(45) **Date of Patent:** **** Apr. 7, 2015**

(54) **SWITCH**

(71) Applicant: **Harman International industries, Incorporated**, Stamford, CT (US)

(72) Inventors: **Seth D. Burgett**, Glen Carbon, IL (US);
Aaron Gorga, St. Louis, MO (US);
Effrosini A. Karayiannis, St. Louis, MO (US)

(73) Assignee: **Harman International Industries, Incorporated**, Northridge, CA (US)

(**) Term: **14 Years**

(21) Appl. No.: **29/435,918**

(22) Filed: **Oct. 30, 2012**

(51) **LOC (10) Cl.** **13-03**

(52) **U.S. Cl.**
USPC **D13/171**

(58) **Field of Classification Search**
USPC D13/138.1, 139.1, 158, 170, 171;
200/5 R, 5 A, 520, 530, 253, 293, 296,
200/302.2, 308, 310, 314, 329, 341;
307/38, 40; 315/291, 294, 295;
439/374, 417

See application file for complete search history.

(56) **References Cited**

U.S. PATENT DOCUMENTS

D307,579 S * 5/1990 Layne et al. D13/137.3
D334,043 S * 3/1993 Taniguchi et al. D14/218
D344,524 S * 2/1994 Taniguchi D14/218
D458,248 S * 6/2002 Davies et al. D14/206

D462,945 S * 9/2002 Skulley D14/218
D463,790 S * 10/2002 Beraut et al. D14/223
D520,464 S * 5/2006 Strong et al. D13/171
D567,185 S * 4/2008 Mayo et al. D13/158
D582,354 S * 12/2008 Andre et al. D13/158
7,492,890 B2 * 2/2009 Mllani 379/420.04
D597,071 S * 7/2009 Andre et al. D14/206
D606,980 S * 12/2009 Bradford D14/218
D626,921 S * 11/2010 Pang D13/158
D633,447 S * 3/2011 Schaal et al. D13/168
7,920,902 B2 * 4/2011 Carroll 455/569.1
7,920,903 B2 * 4/2011 Ueda et al. 455/575.1
D648,315 S * 11/2011 Kao D14/205
D654,879 S * 2/2012 Li et al. D13/170
D685,750 S * 7/2013 Nakagawa D13/168
8,504,115 B2 * 8/2013 Junge et al. 455/569.1
D710,828 S * 8/2014 Liu et al. D14/218

* cited by examiner

Primary Examiner — Selina Sikder

(74) *Attorney, Agent, or Firm* — Plumsea Law Group, LLC

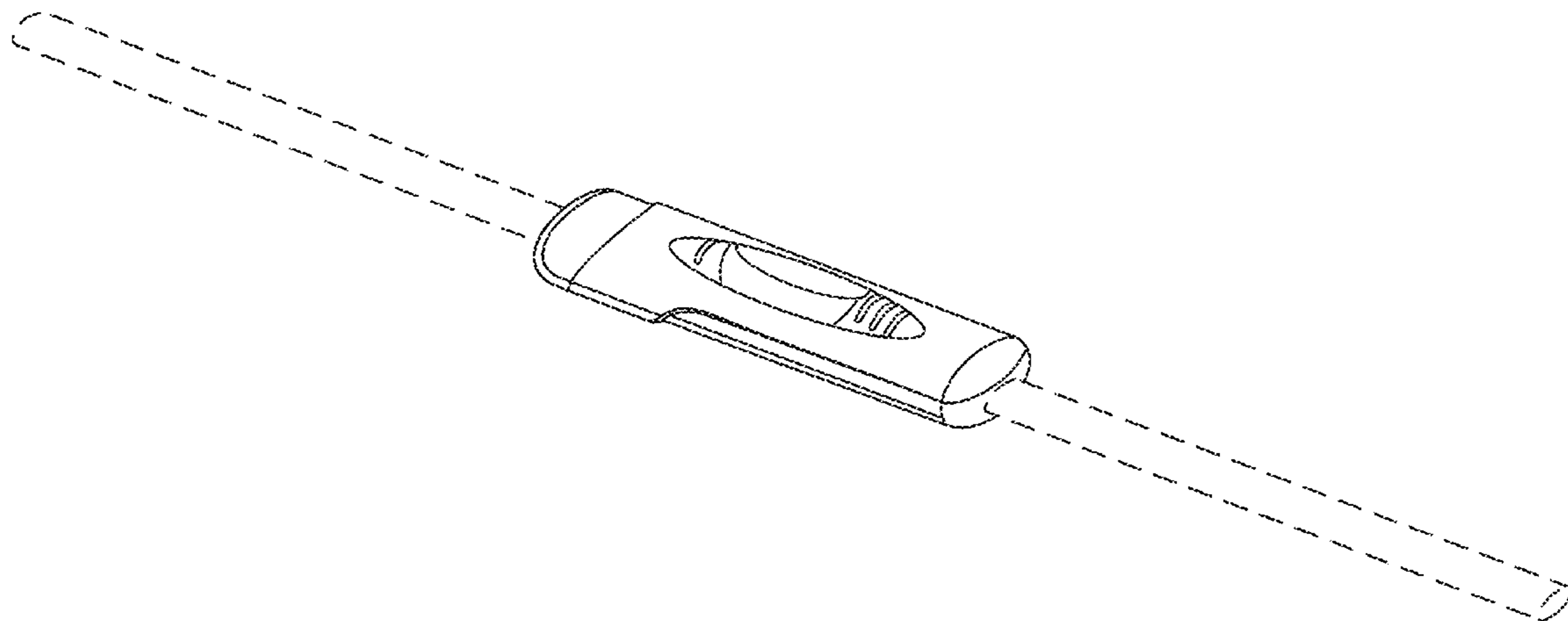
(57) **CLAIM**

The ornamental design for a switch, as shown and described.

DESCRIPTION

FIG. 1 is a perspective view of the switch;
FIG. 2 is a front elevation view thereof;
FIG. 3 is a rear elevation view thereof;
FIG. 4 is a left-side elevation view thereof;
FIG. 5 is a right-side elevation view thereof;
FIG. 6 is a top plan view thereof; and,
FIG. 7 is a bottom plan view thereof.
The dashed lines show a wire extending to the earphone, but do not form a part of the claimed design.

1 Claim, 2 Drawing Sheets



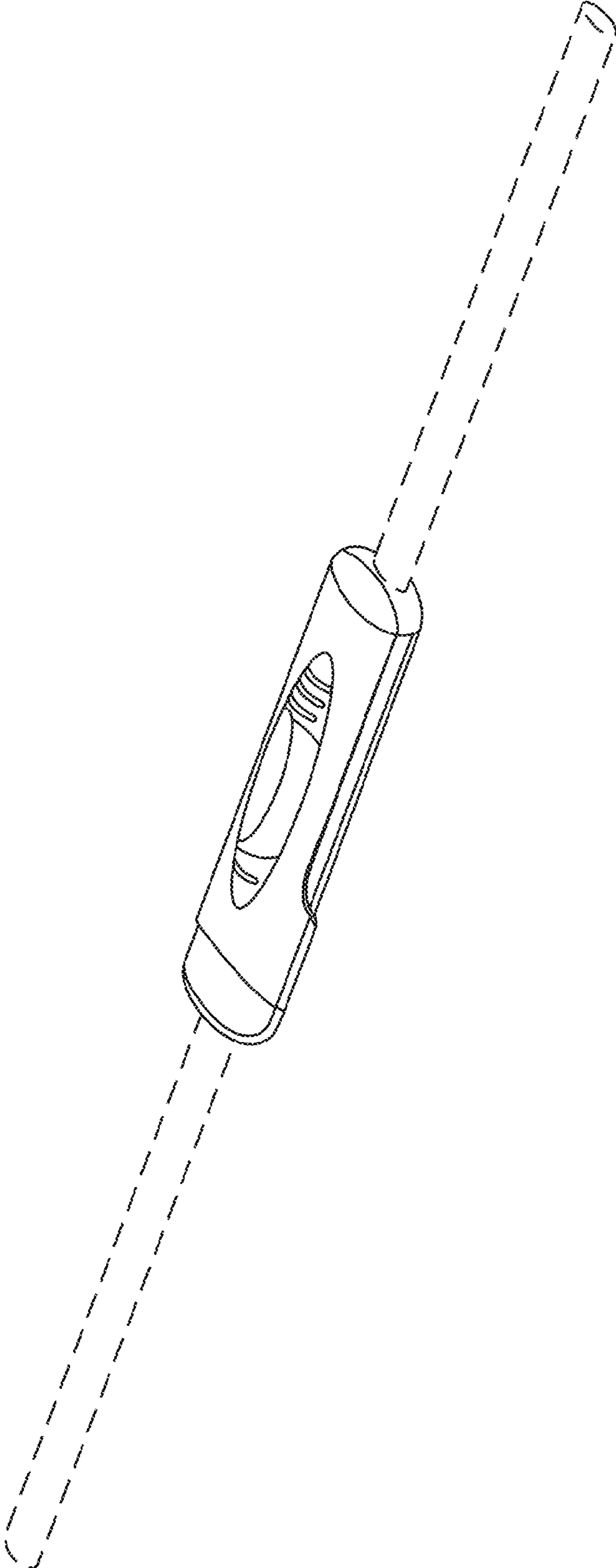


FIG. 1

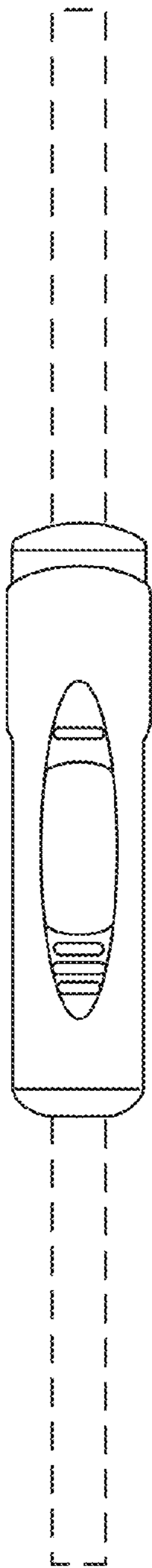


FIG. 2

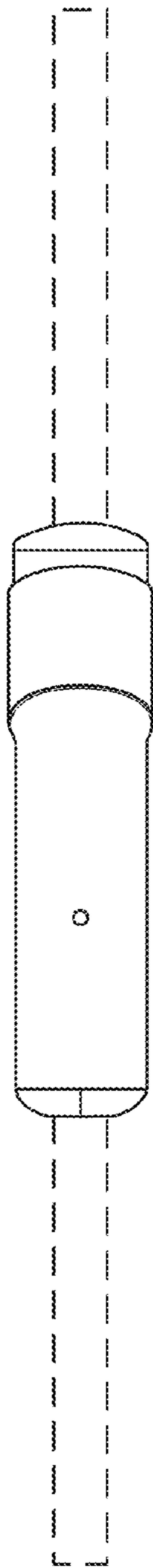


FIG. 3



FIG. 4

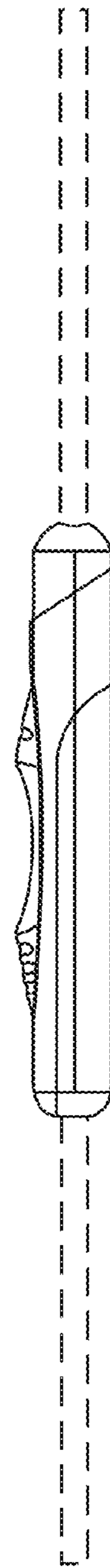


FIG. 5



FIG. 6

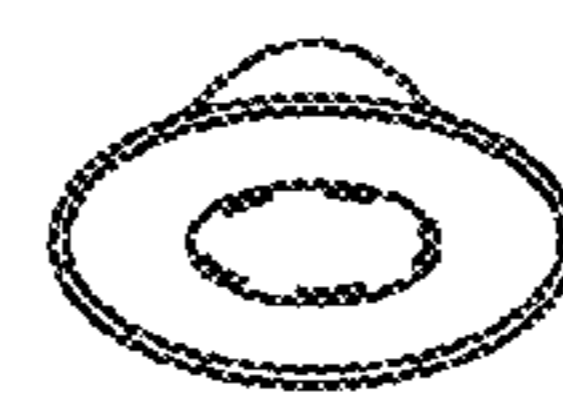


FIG. 7