



US00D726128S

(12) **United States Design Patent**
Brucksch

(10) **Patent No.:** **US D726,128 S**
(45) **Date of Patent:** **** Apr. 7, 2015**

(54) **DETECTOR WITH ELECTRONIC CONTROL PANEL**

(71) Applicant: **Joachim Brucksch**, Kusterdingen (DE)

(72) Inventor: **Joachim Brucksch**, Kusterdingen (DE)

(73) Assignee: **Vallon GmbH**, Eningen (DE)

(**) Term: **14 Years**

(21) Appl. No.: **29/462,364**

(22) Filed: **Aug. 1, 2013**

(30) **Foreign Application Priority Data**

Jul. 1, 2013 (EM) 002266007

(51) **LOC (10) Cl.** **13-03**

(52) **U.S. Cl.**
USPC **D13/162; D10/47**

(58) **Field of Classification Search**
USPC **D13/162; D10/46, 47, 49, 104.1, 122; 16/429; 315/308; 324/239, 327, 329, 324/572; 331/65**
See application file for complete search history.

(56) **References Cited**

U.S. PATENT DOCUMENTS

4,263,553 A * 4/1981 Cook et al. 324/327
4,423,377 A * 12/1983 Podhrasky 324/329
D274,607 S * 7/1984 Schaefer et al. D10/47
4,837,489 A * 6/1989 McFee 324/67
5,148,151 A * 9/1992 Podhrasky 324/329
D333,990 S * 3/1993 Johnson et al. D10/46

5,786,696 A * 7/1998 Weaver et al. 324/329
5,959,451 A * 9/1999 De Torfino 324/236
5,969,528 A * 10/1999 Weaver 324/329
6,617,856 B1 * 9/2003 Royle et al. 324/329
D486,080 S * 2/2004 Hu D10/47
D596,587 S * 7/2009 Gaertner D13/162
D694,130 S * 11/2013 Manneschi D10/47
8,729,902 B1 * 5/2014 Kelley et al. 324/329
2009/0009173 A1 * 1/2009 Loubet 324/327
2011/0241687 A1 * 10/2011 Sickler, Jr. 324/329
2014/0139210 A1 * 5/2014 Walsh et al. 324/239
2014/0143984 A1 * 5/2014 Andel 16/429

* cited by examiner

Primary Examiner — Selina Sikder

(74) *Attorney, Agent, or Firm* — Cascio & Zervas

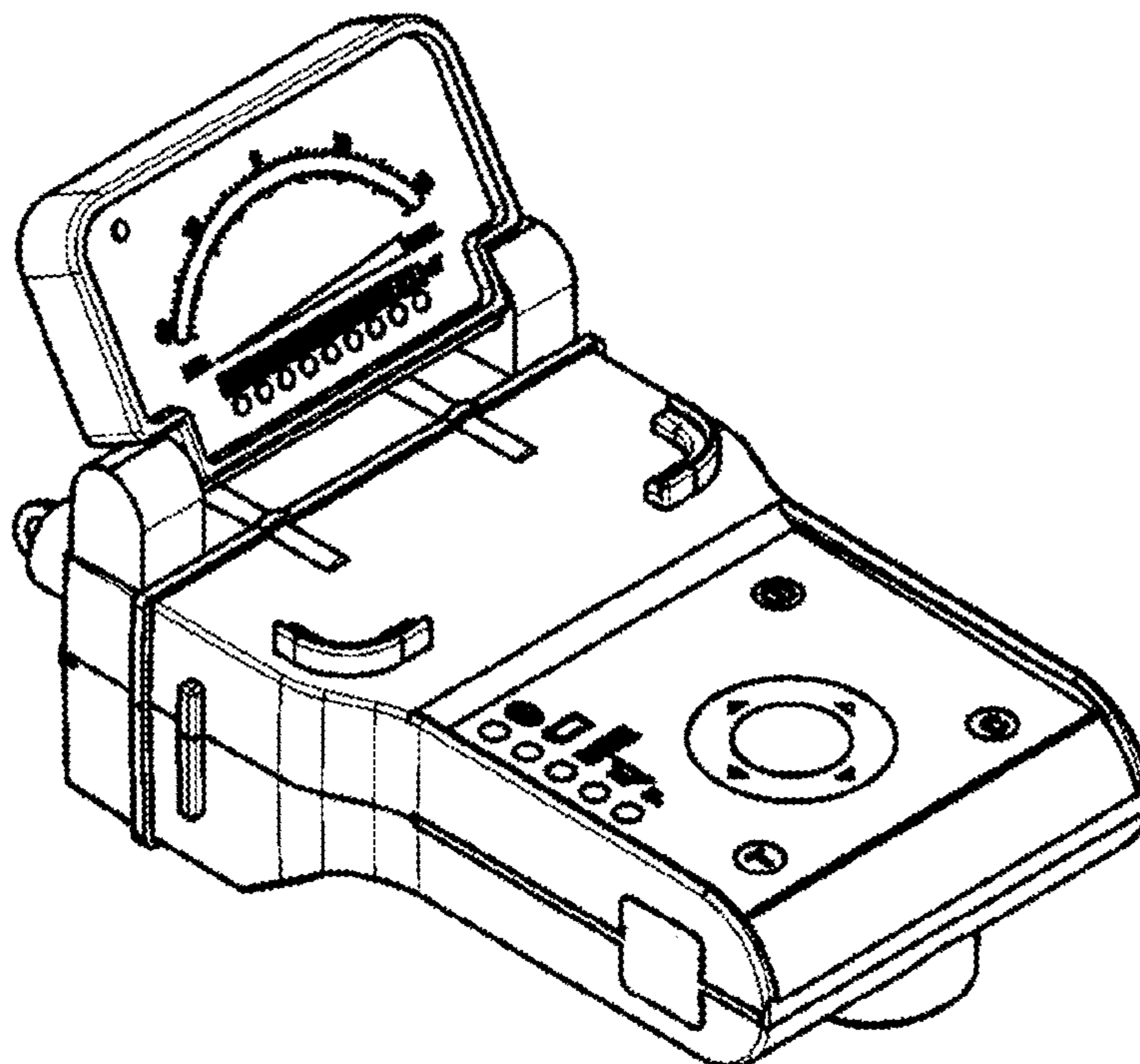
(57) **CLAIM**

The ornamental design for an detector with electronic control panel, as shown and described.

DESCRIPTION

FIG. 1 is a front elevational view of the detector with electronic control panel showing my design in the open position; FIG. 2 is a left side elevational view thereof in the open position, the right view being a mirror image thereof; FIG. 3 is a top plan view thereof in the open position; FIG. 4 is a bottom plan view thereof; FIG. 5 is a front perspective view of thereof in the closed position; FIG. 6 is a front perspective view thereof in the open position with a support tray attached; and, FIG. 7 is a front perspective view thereof in the open position without the support tray.

1 Claim, 2 Drawing Sheets



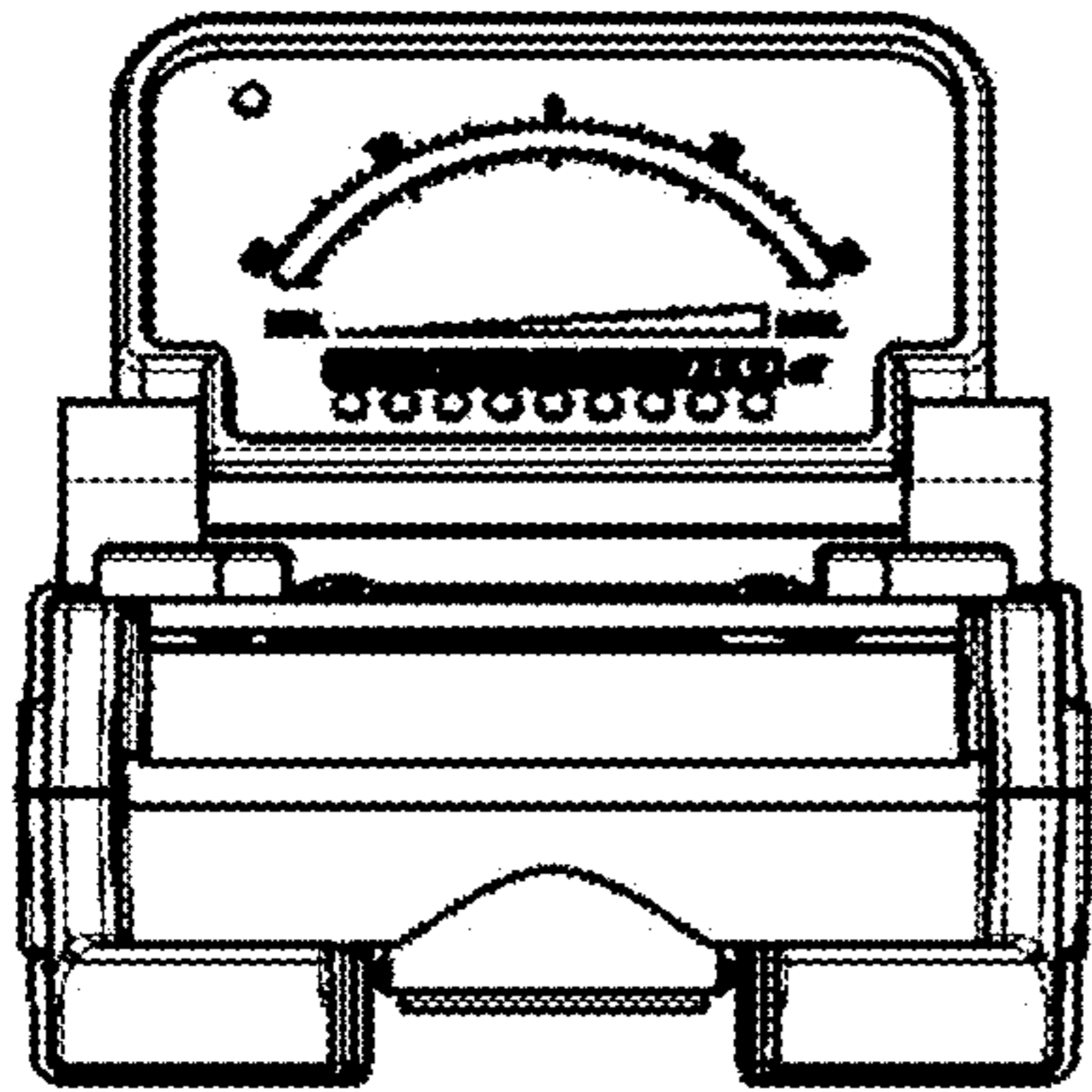


FIG. 1

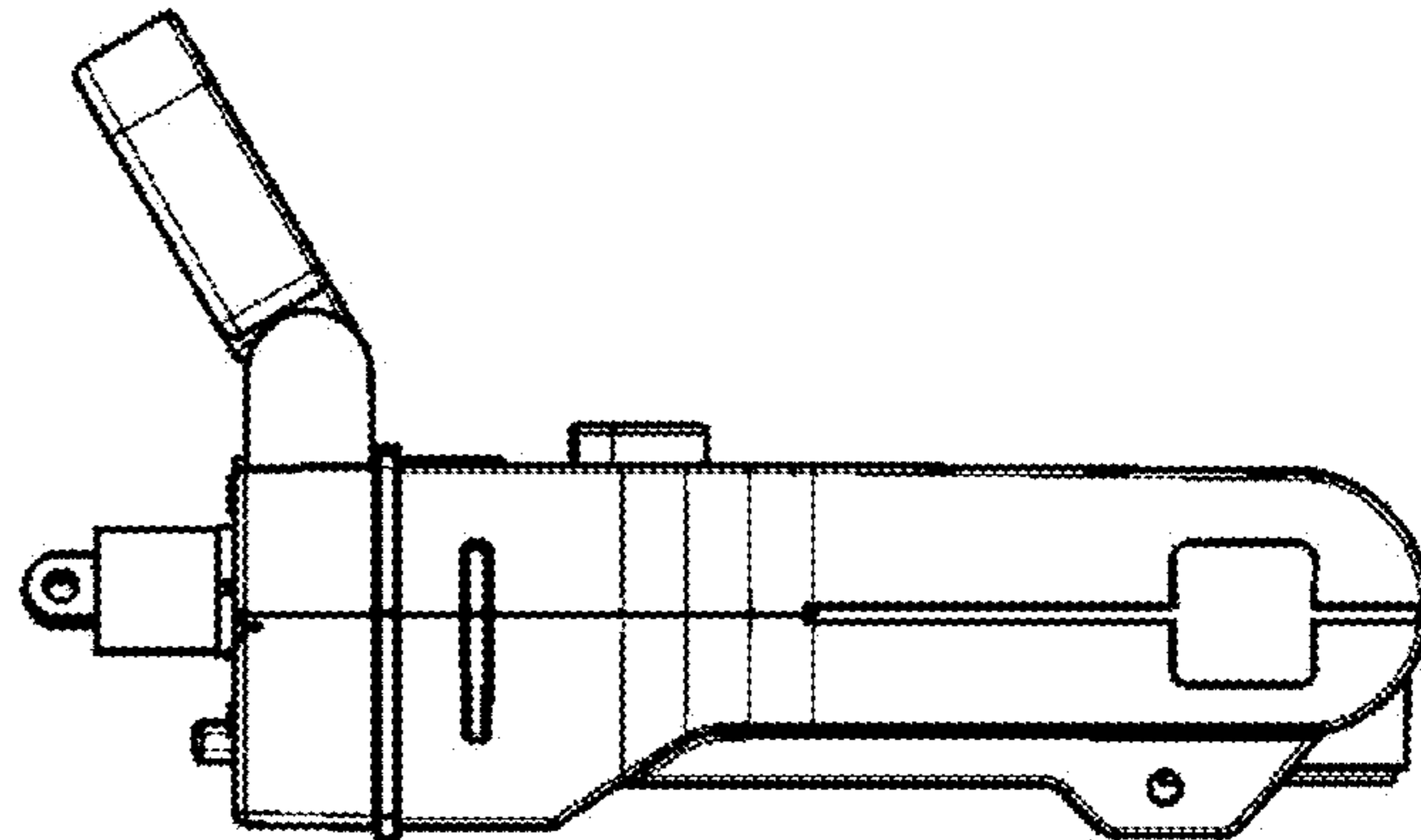


FIG. 2

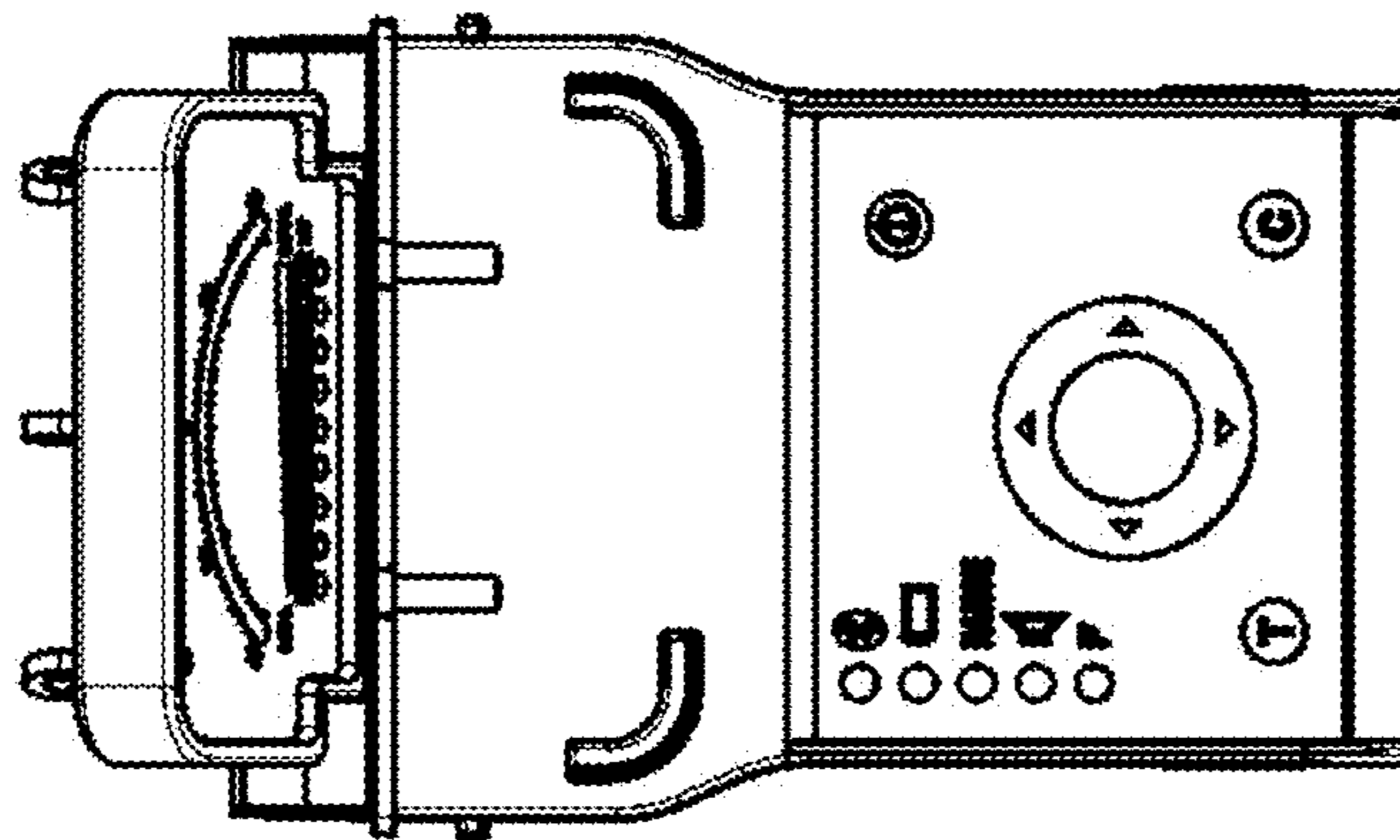


FIG. 3

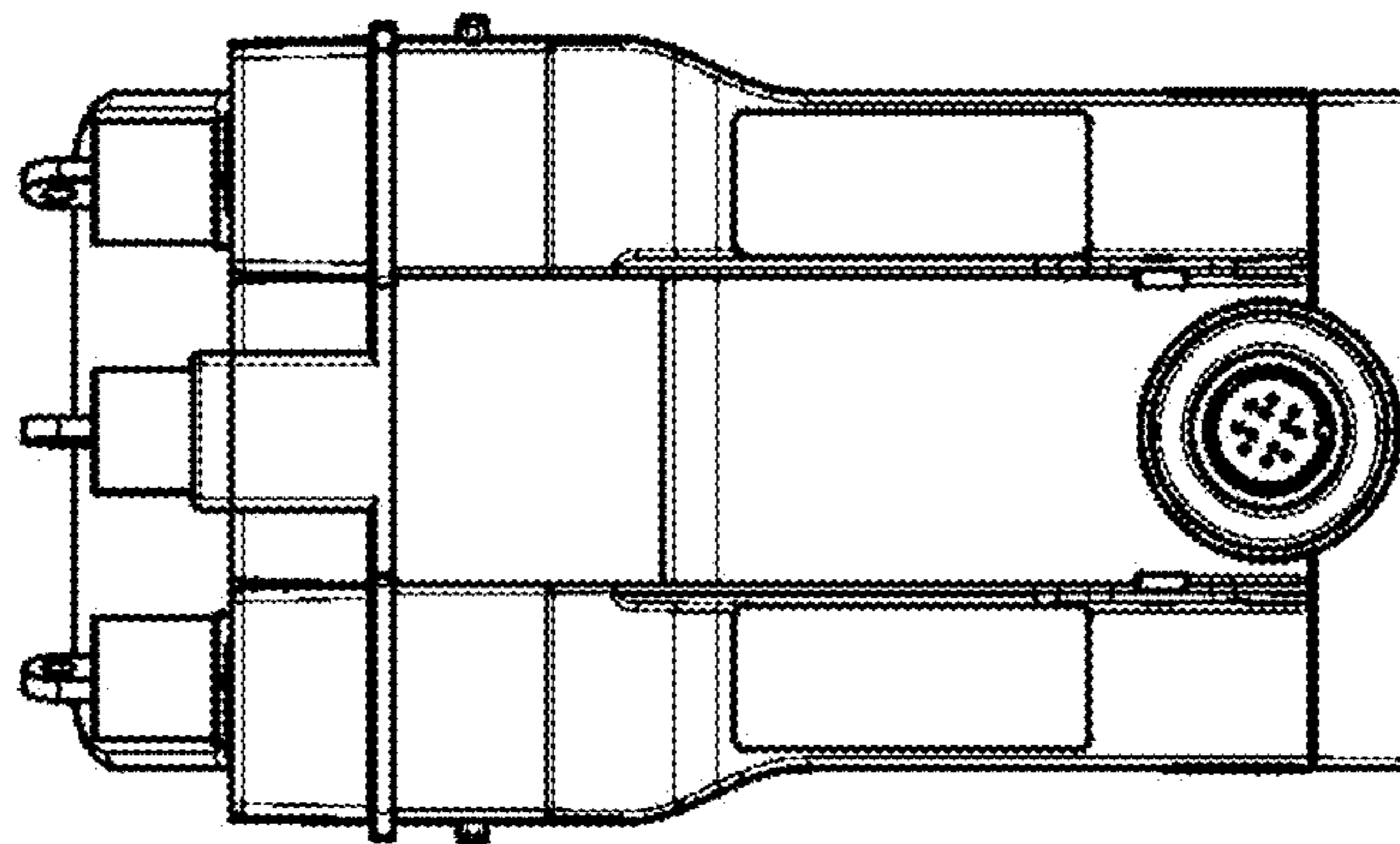


FIG. 4

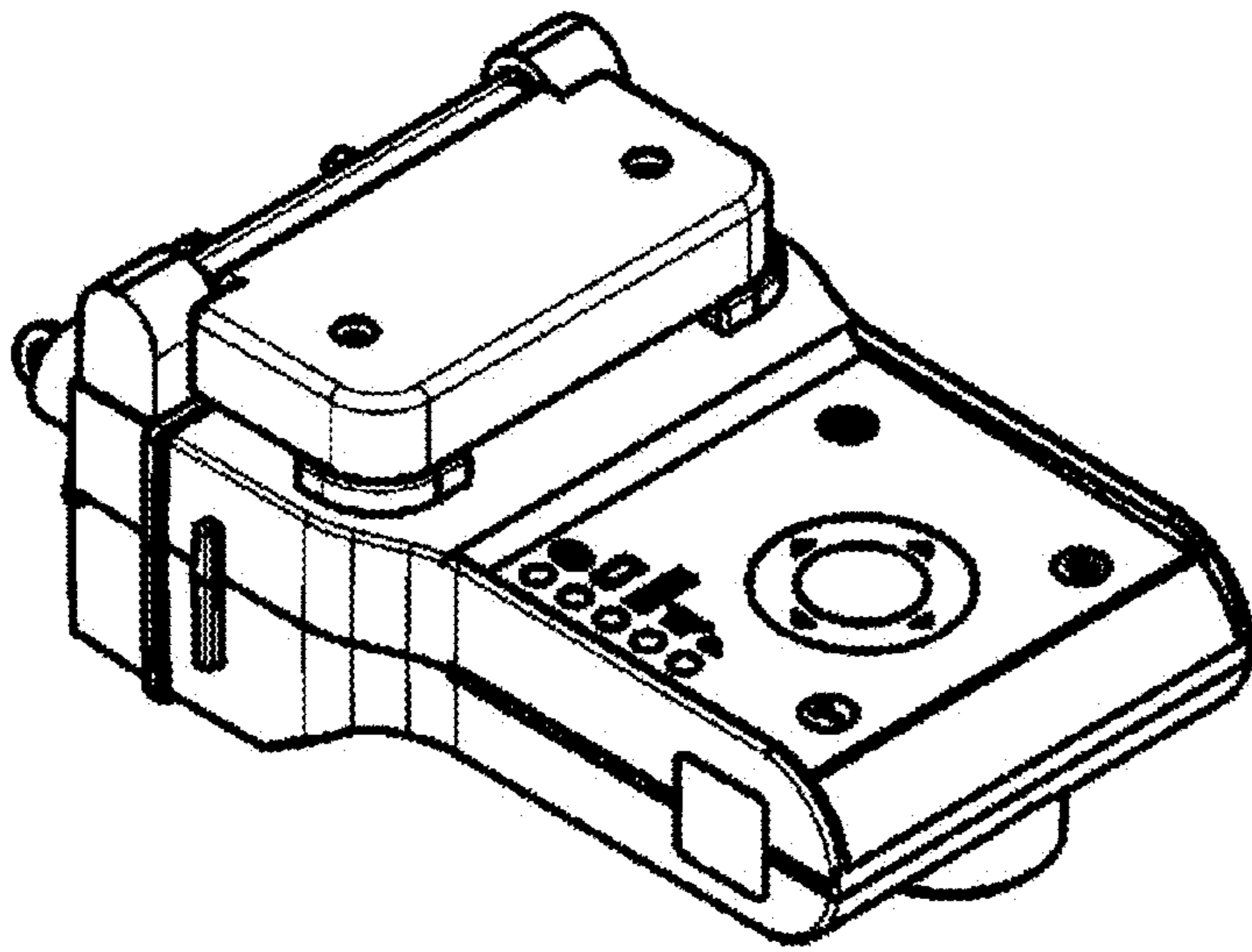


FIG. 5

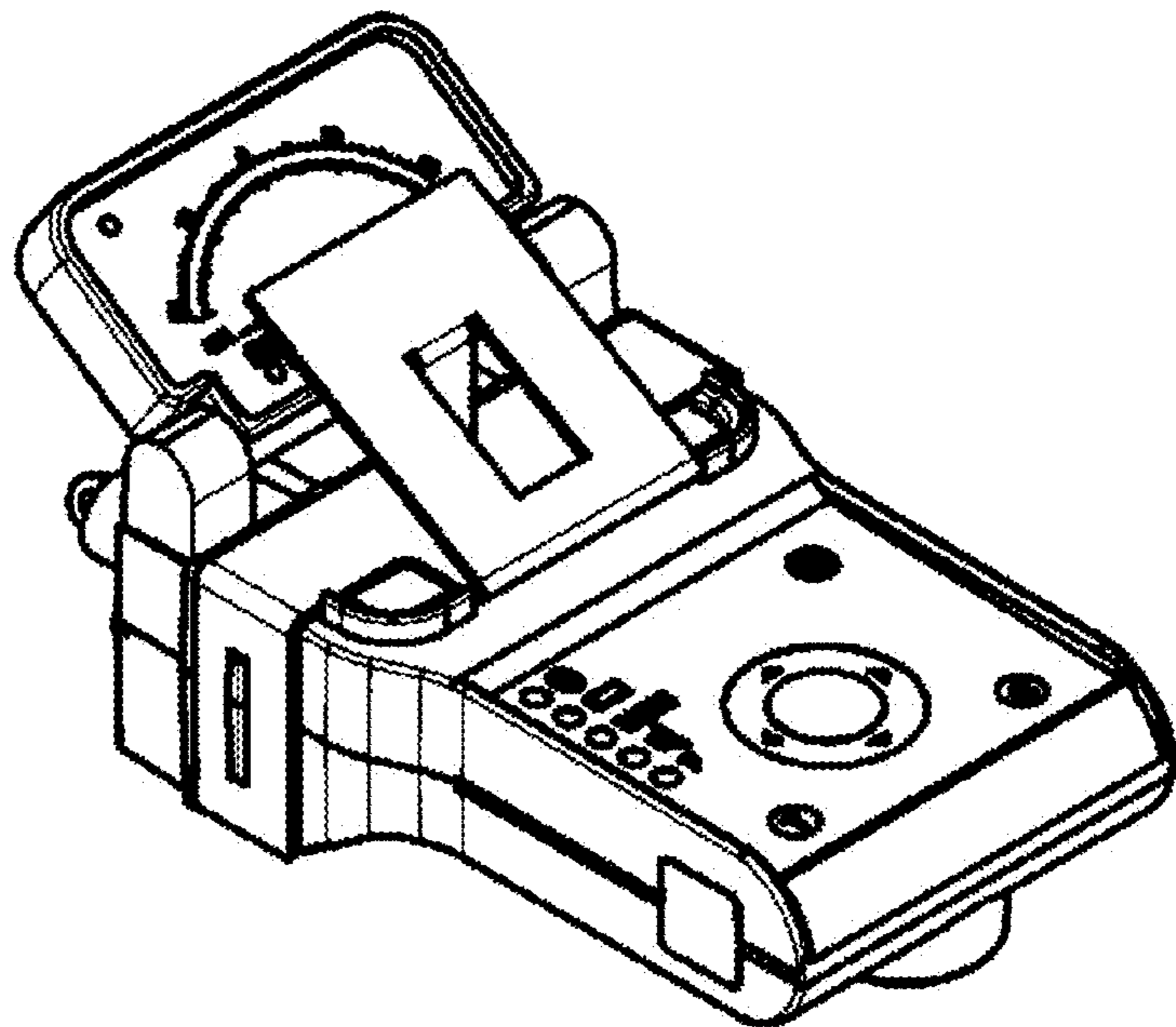


FIG. 6

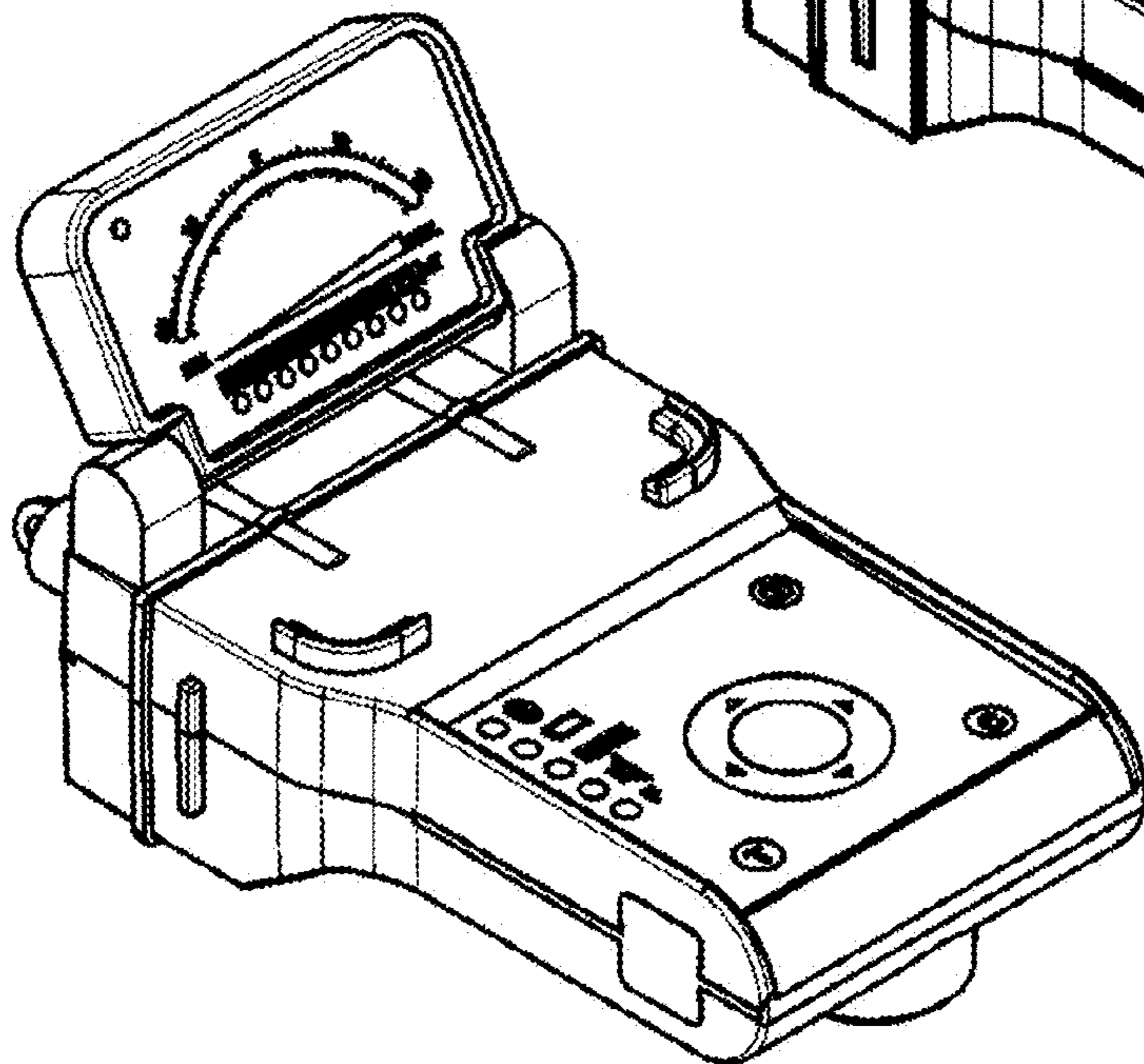


FIG. 7