



US00D726127S

(12) **United States Design Patent**  
**Gole et al.**

(10) **Patent No.:** **US D726,127 S**  
(45) **Date of Patent:** **\*\* Apr. 7, 2015**

(54) **AUTOMATIC-TRANSFER-SWITCH COVER ASSEMBLY**

(56) **References Cited**

U.S. PATENT DOCUMENTS

(71) Applicant: **ASCO Power Technologies, L.P.**,  
Florham Park, NJ (US)  
(72) Inventors: **Devanand Ramchandra Gole**, Warje  
(IN); **Sachin Vinodchandra Shah**, Pune  
(IN)

8,354,604	B2 *	1/2013	Park et al.	200/293
8,471,163	B2 *	6/2013	Park et al.	200/333
D691,566	S *	10/2013	Hashimoto et al.	D13/158
D692,396	S *	10/2013	Hashimoto et al.	D13/158
2003/0184421	A1 *	10/2003	Schultz	335/220
2010/0276265	A1 *	11/2010	Park et al.	200/293
2010/0276266	A1 *	11/2010	Park et al.	200/293
2010/0307895	A1 *	12/2010	Park et al.	200/237

\* cited by examiner

(73) Assignee: **ASCO Power Technologies, L.P.**,  
Florham Park, NJ (US)

*Primary Examiner* — Thomas Johannes  
*Assistant Examiner* — Shawn T Gingrich

(\*\*) Term: **14 Years**

(74) *Attorney, Agent, or Firm* — McDonnell Boehnen Hulbert & Berghoff LLP

(21) Appl. No.: **29/448,546**

(57) **CLAIM**

The ornamental design for an automatic-transfer-switch cover assembly as shown and described.

(22) Filed: **Mar. 13, 2013**

**DESCRIPTION**

(51) **LOC (10) Cl.** ..... **13-03**

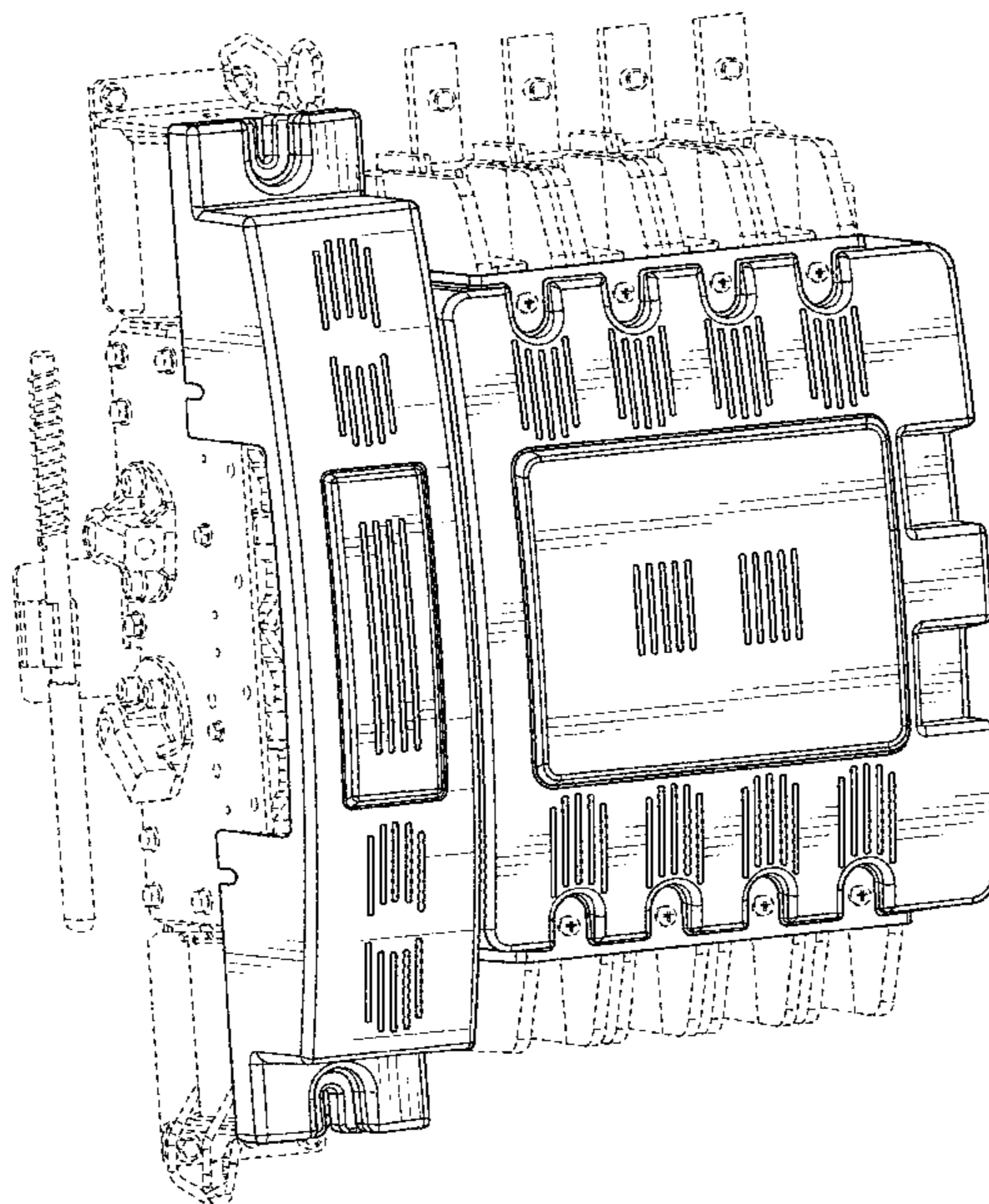
(52) **U.S. Cl.**  
USPC ..... **D13/158**

(58) **Field of Classification Search**  
CPC ..... H01H 2300/018; H01H 9/0264; H01H 2009/347; H01H 9/34; H01H 9/02; H02J 9/06  
USPC ..... D13/110, 123, 158, 159, 160, 177, 184; 200/5 R, 308, 310, 313, 314, 329, 340, 200/1 R, 6 R, 5 A, 237, 293, 302.3, 315, 330, 200/333, 334, 339, 341, 520, 525, 553; 335/131–133, 196, 202, 220, 262, 251; 439/491, 535

FIG. 1 is a perspective view taken from the top, front, left side of an automatic-transfer-switch cover assembly, according to our new design;  
FIG. 2 is a front elevation view thereof;  
FIG. 3 is a left side elevation view thereof;  
FIG. 4 is a right side elevation view thereof;  
FIG. 5 is a top plan view thereof; and,  
FIG. 6 is a bottom plan view thereof.  
The rear surfaces of the claimed automatic transfer switch cover assembly are not shown in the drawings and form no part of the claimed design. The broken line portion of the figure drawings is included to show unclaimed subject matter only and forms no part of the claimed design.

See application file for complete search history.

**1 Claim, 5 Drawing Sheets**



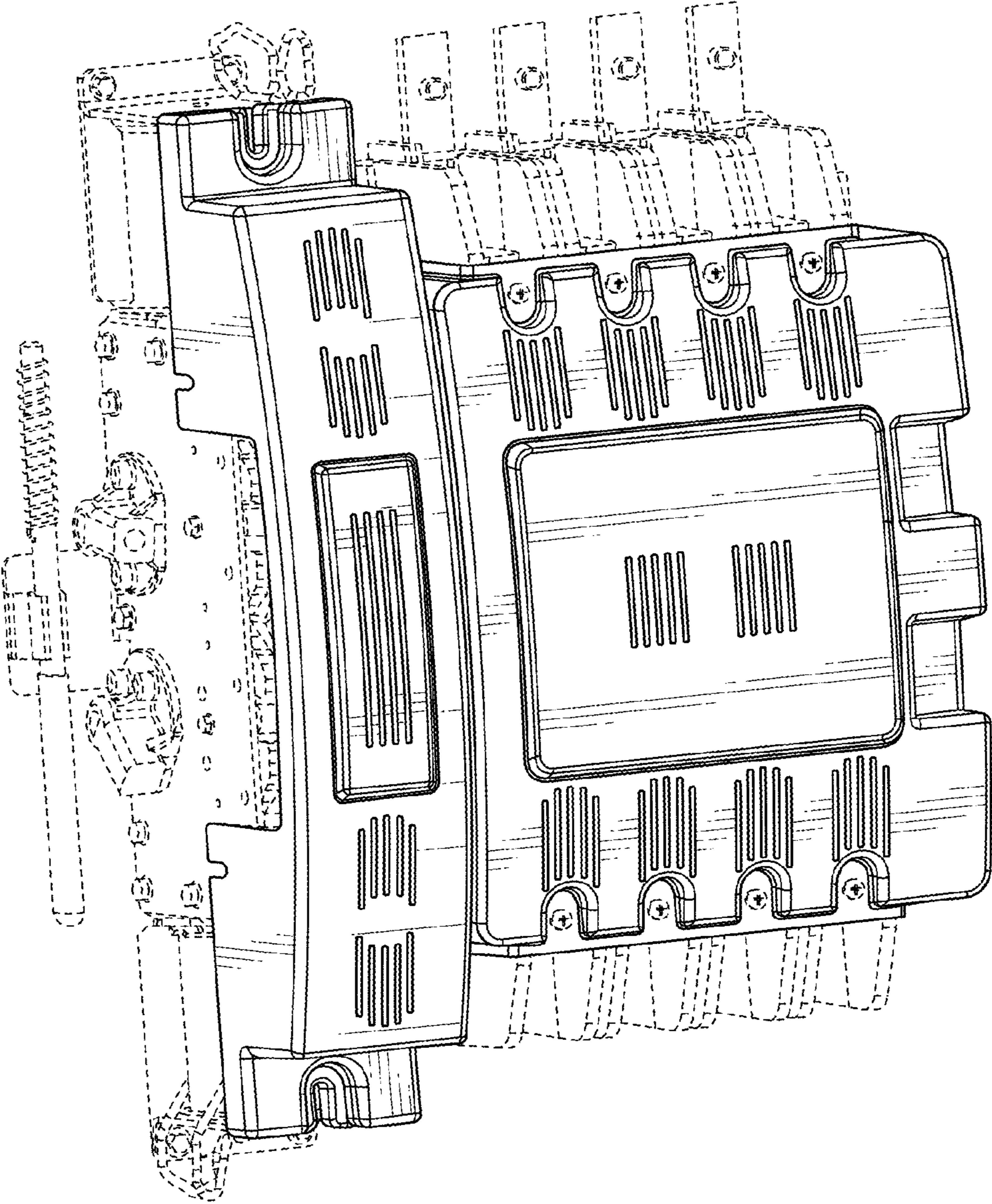


FIG. 1

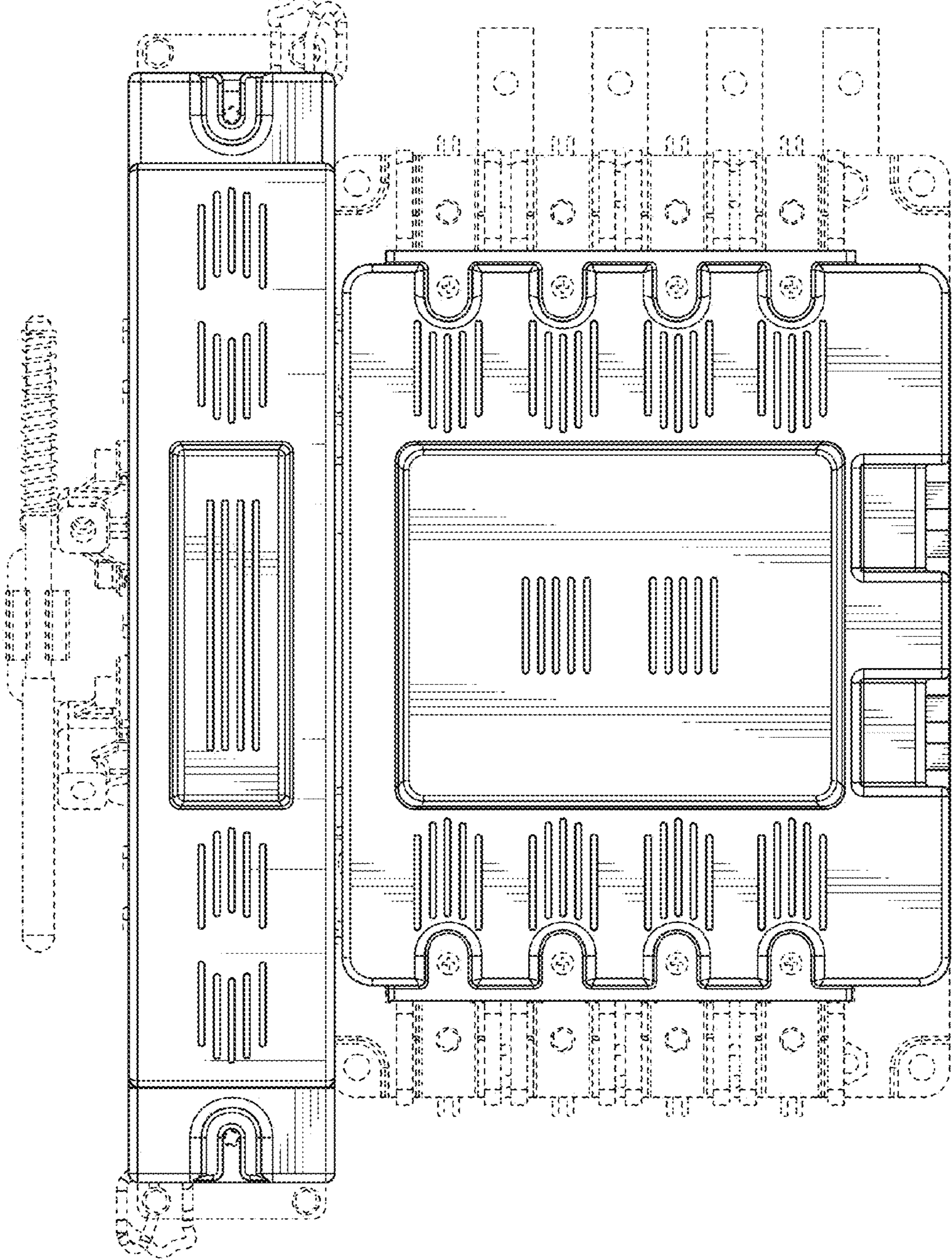


FIG. 2

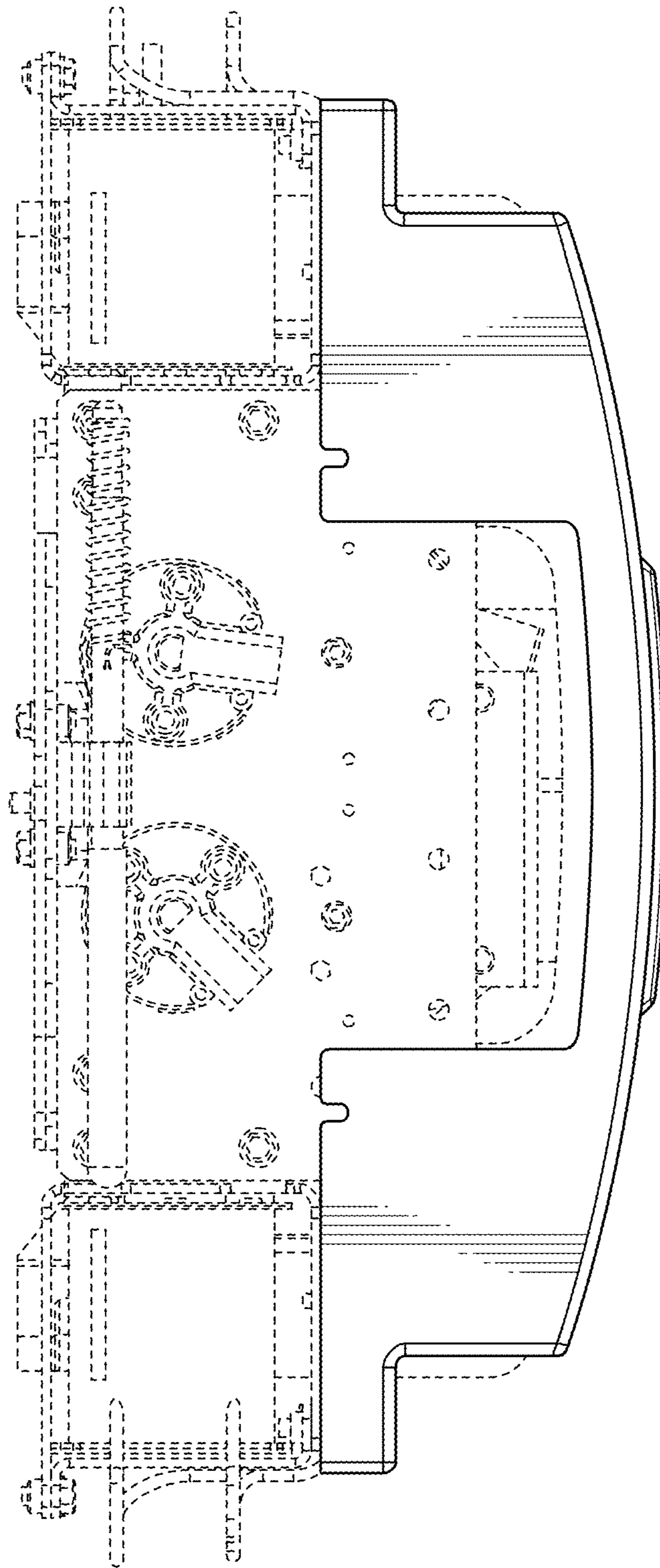


FIG. 3

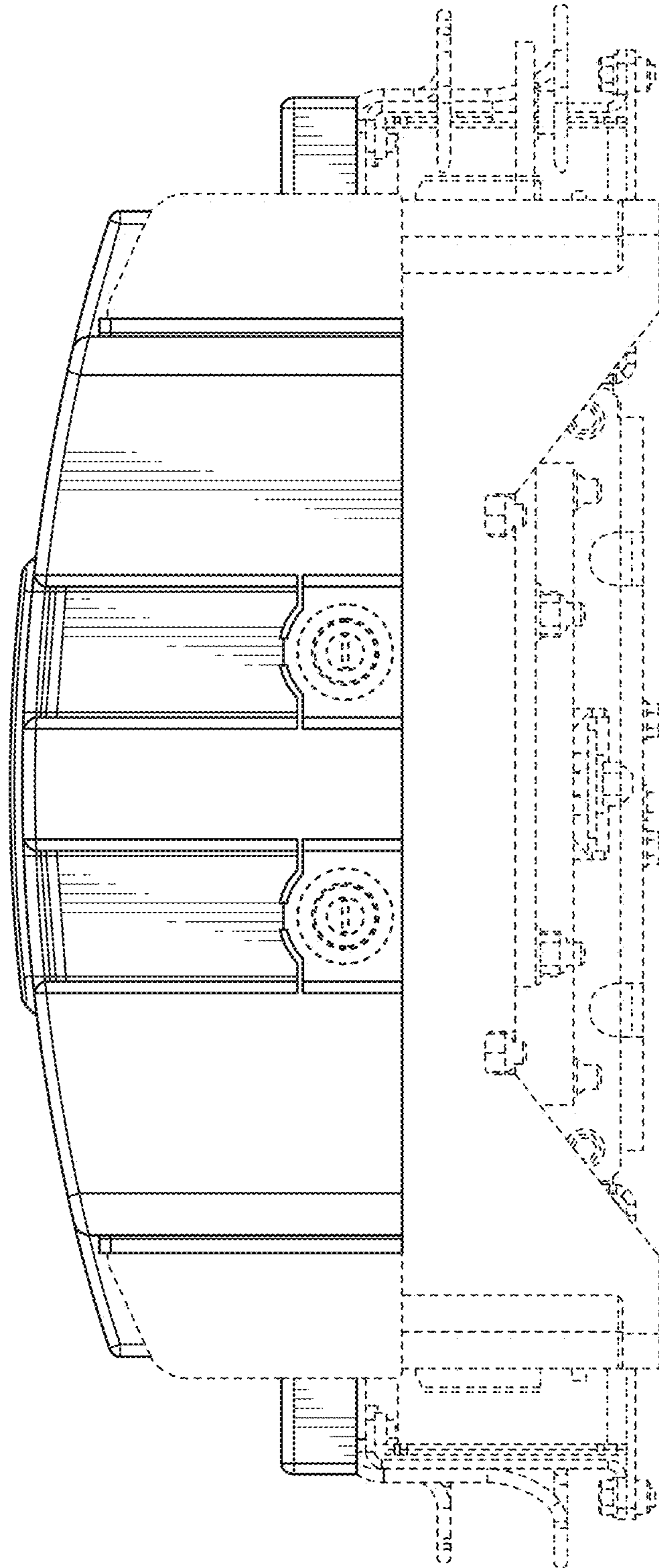


FIG. 4

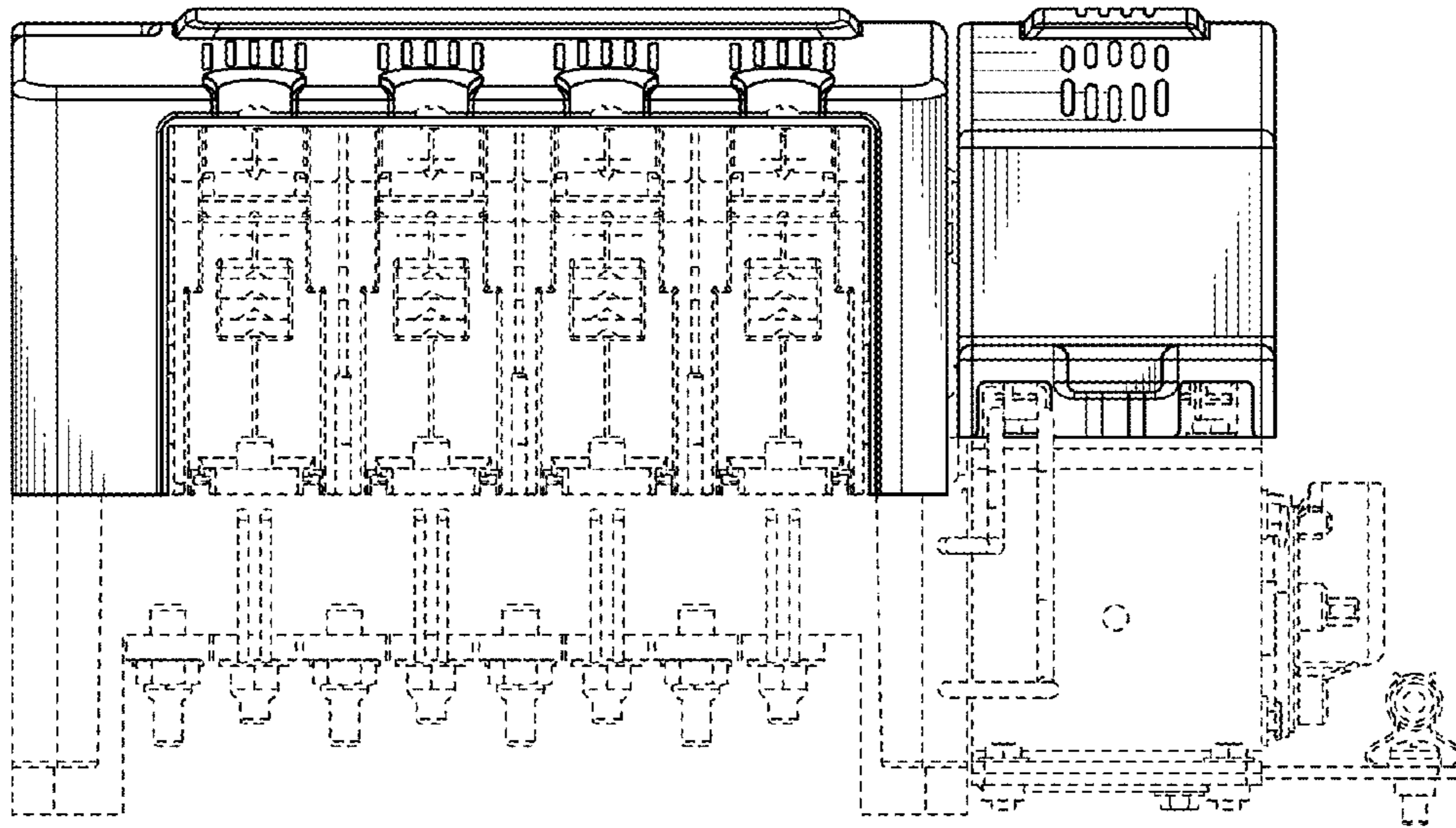


FIG. 5

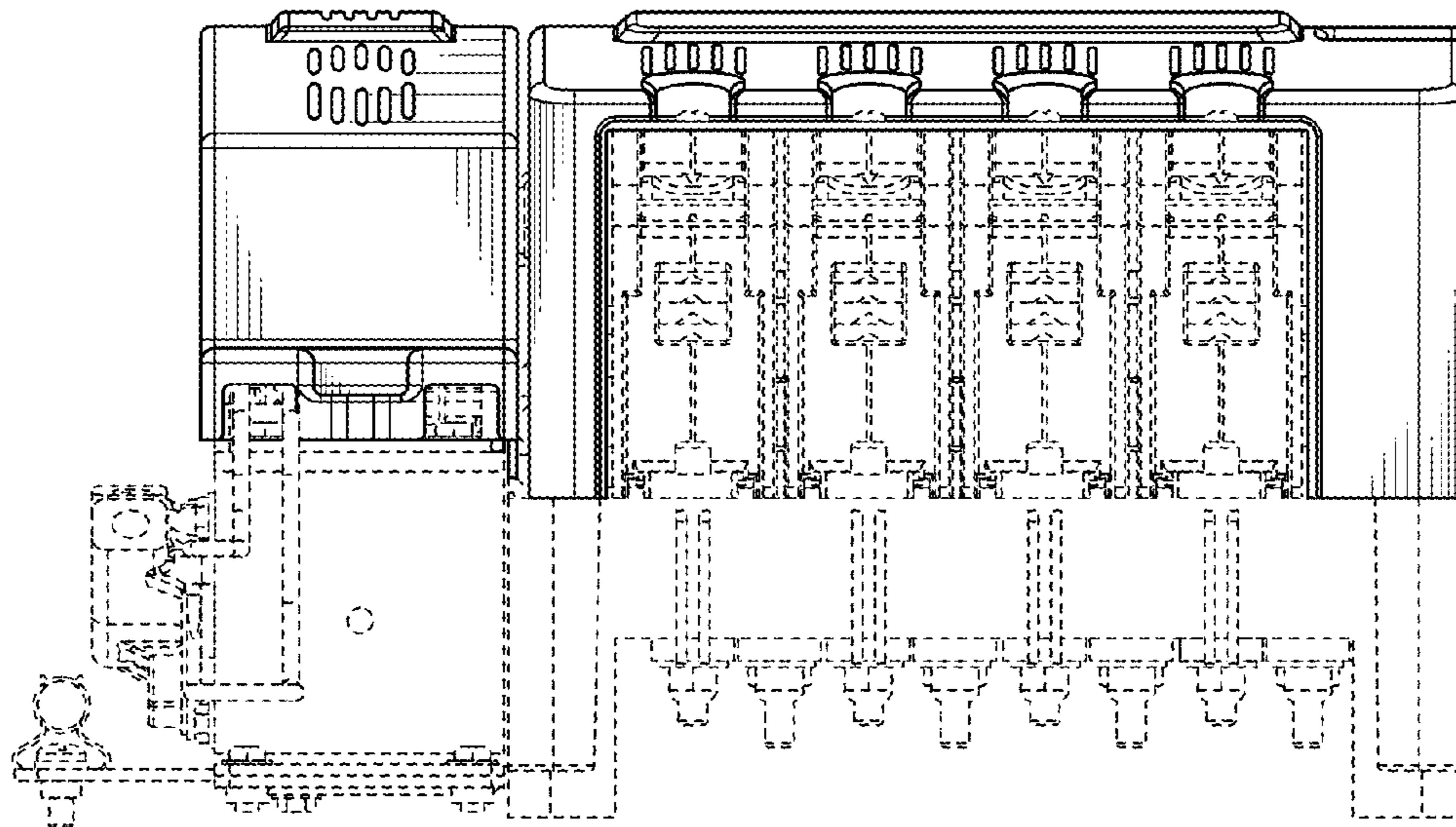


FIG. 6