



US00D726124S

(12) **United States Design Patent**  
**Chen et al.**

(10) **Patent No.:** **US D726,124 S**  
(45) **Date of Patent:** **\*\* Apr. 7, 2015**

(54) **ELECTRICAL CONNECTOR TERMINAL**

(71) Applicant: **Advanced-Connectek Inc.**, New Taipei (TW)

(72) Inventors: **Ching-Tien Chen**, New Taipei (TW); **Shu-Lin Duan**, New Taipei (TW); **Wei Wan**, New Taipei (TW); **Ping-Chuan Chu**, New Taipei (TW); **Xiao-Juan Qi**, New Taipei (TW)

(73) Assignee: **Advanced-Connectek Inc.**, New Taipei (TW)

(\*\*) Term: **14 Years**

(21) Appl. No.: **29/497,669**

(22) Filed: **Jul. 28, 2014**

(30) **Foreign Application Priority Data**

Feb. 7, 2014 (CN) ..... 2014 3 0025200

(51) **LOC (10) Cl.** ..... **13-03**

(52) **U.S. Cl.**  
USPC ..... **D13/154**

(58) **Field of Classification Search**  
USPC ..... D13/120, 133, 147, 154, 184, 199;  
439/567, 636, 660, 844, 849, 850-852,  
439/857, 862, 865-867, 870, 877, 884-891  
See application file for complete search history.

(56) **References Cited**

U.S. PATENT DOCUMENTS

D555,095 S \* 11/2007 Ho ..... D13/133  
D556,131 S \* 11/2007 Chien ..... D13/133  
D570,288 S \* 6/2008 Ma et al. .... D13/133  
D656,100 S \* 3/2012 Kajiura et al. .... D13/154

\* cited by examiner

*Primary Examiner* — Daniel Bui

(74) *Attorney, Agent, or Firm* — The Weintraub Group, P.L.C.

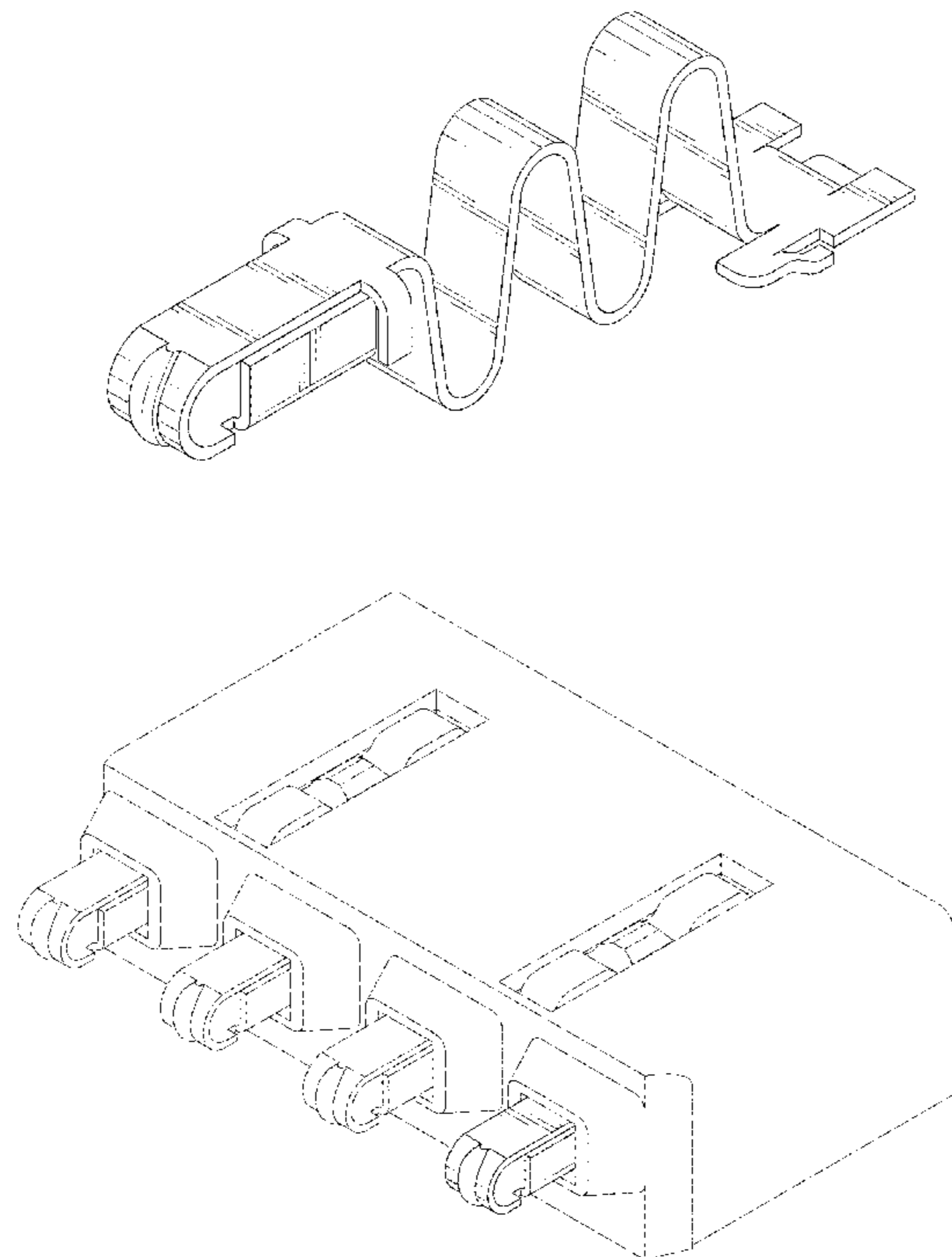
(57) **CLAIM**

The ornamental design for an electrical connector terminal, as shown and described.

**DESCRIPTION**

FIG. 1 is a perspective view of an electrical connector terminal showing our new design;  
FIG. 2 is a front view thereof;  
FIG. 3 is a rear view thereof;  
FIG. 4 is a left side view thereof;  
FIG. 5 is a right side view thereof;  
FIG. 6 is a top view thereof;  
FIG. 7 is a bottom view thereof; and,  
FIG. 8 is a perspective view thereof, in use condition.  
The broken line in FIG. 8 included to show unclaimed environment only and forms no part of the claimed design.

**1 Claim, 8 Drawing Sheets**



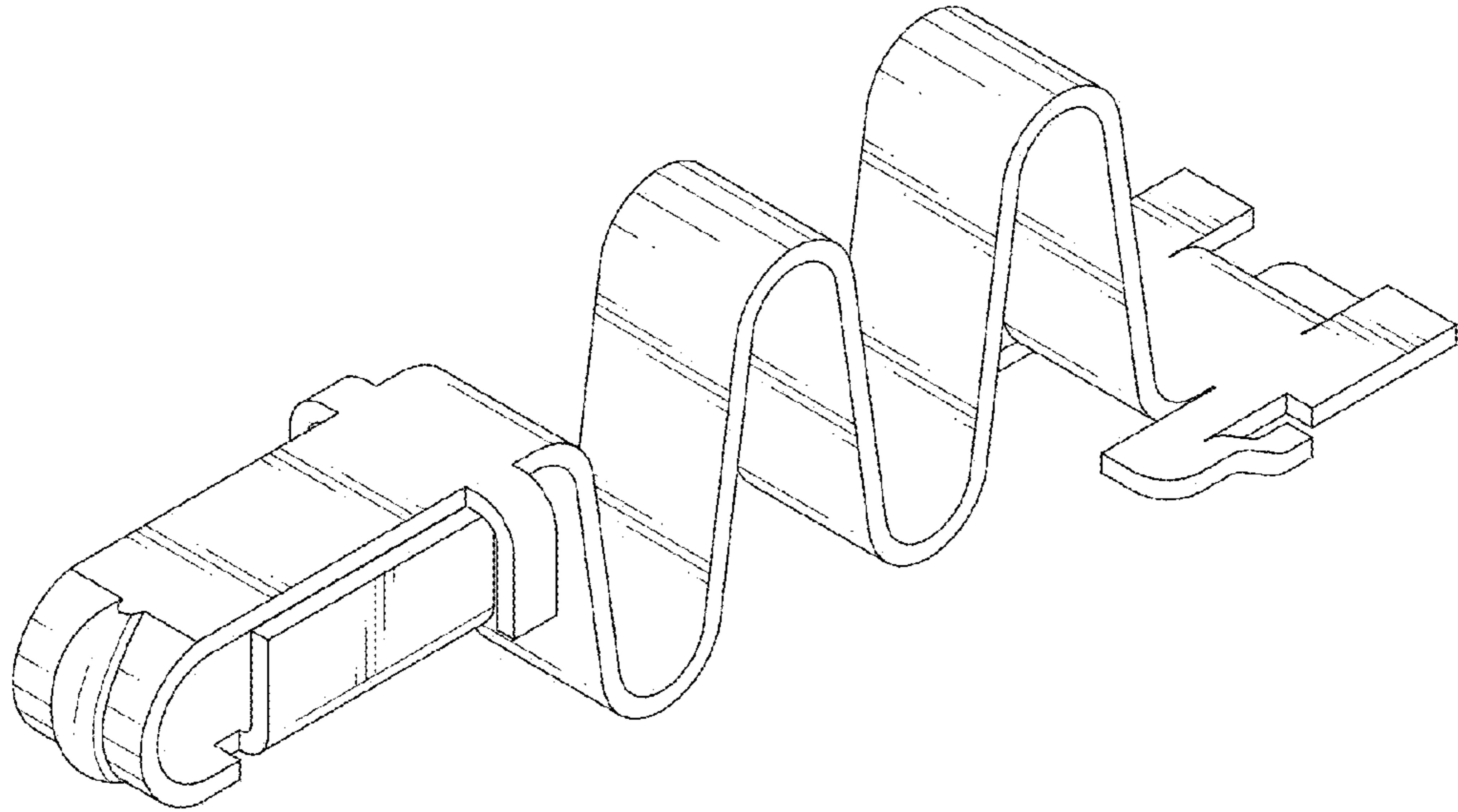


FIG.1

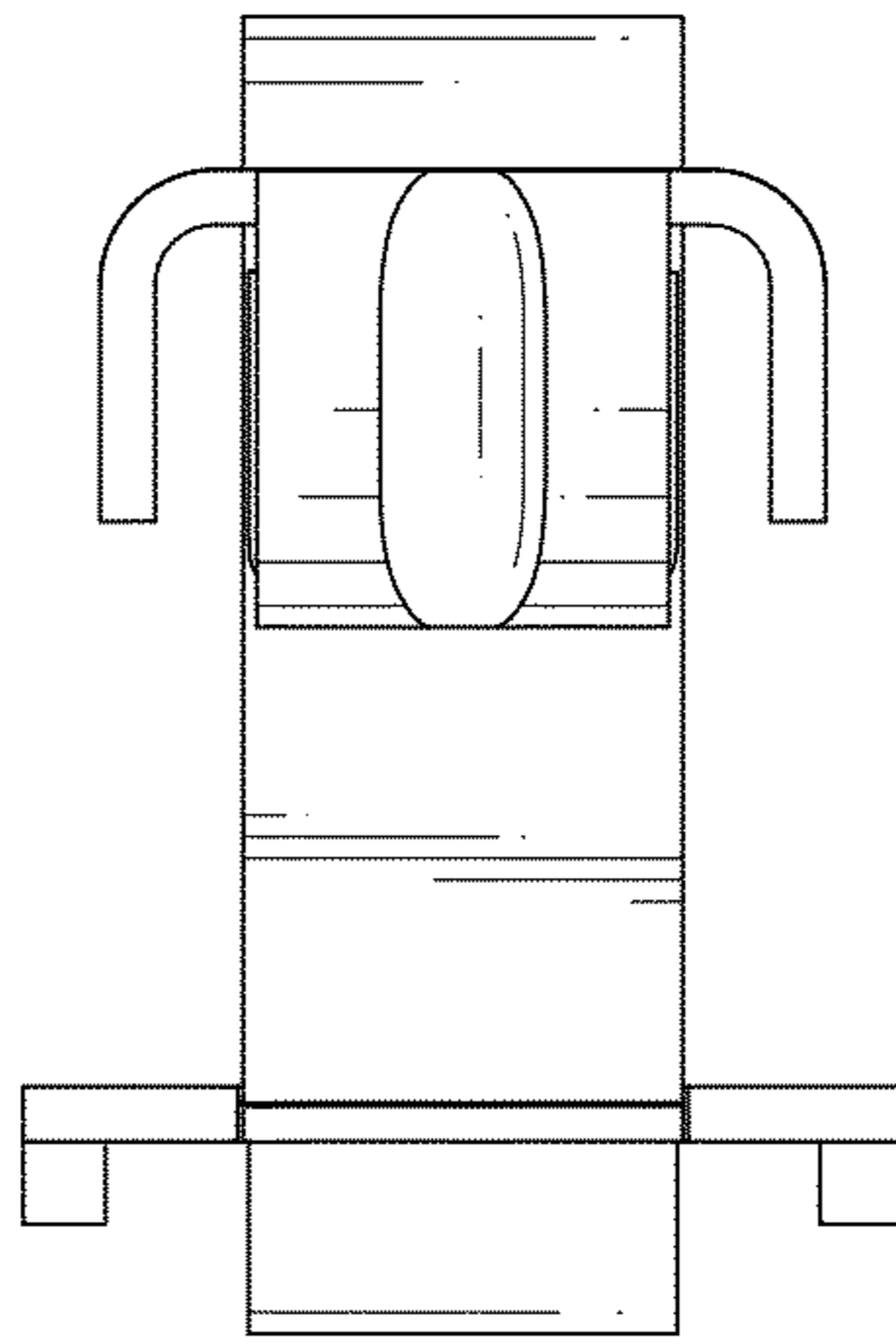


FIG.2

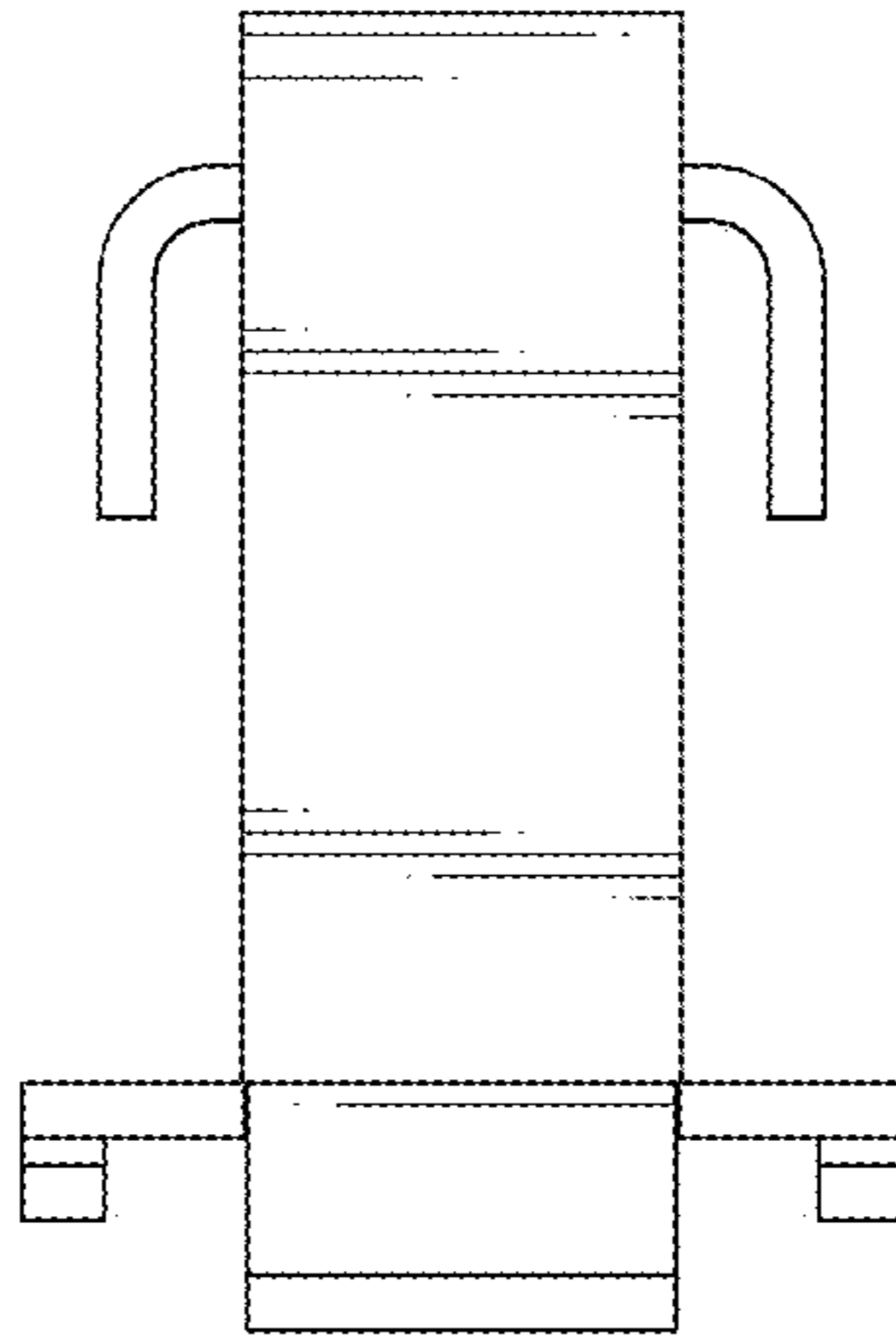


FIG.3

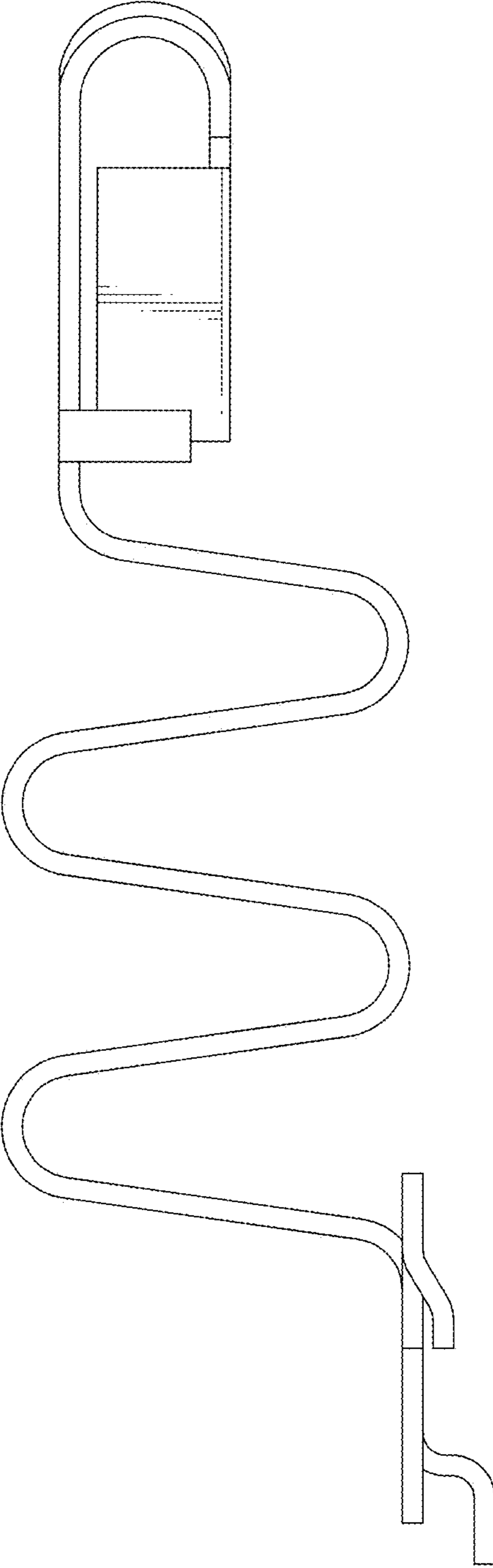


FIG.4

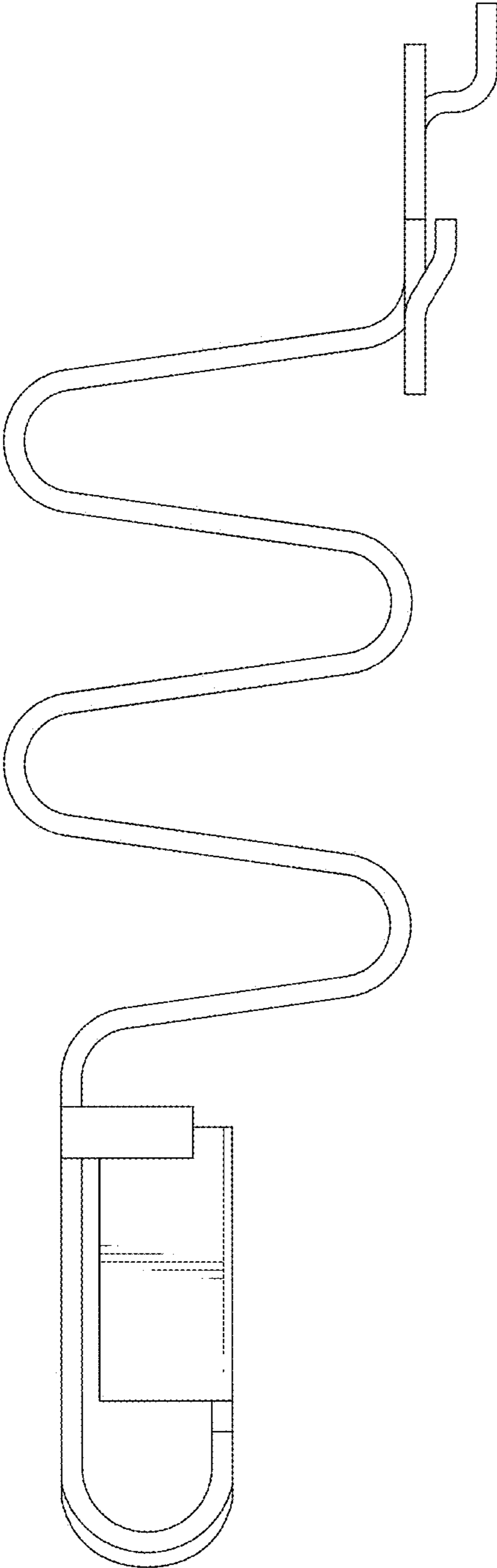


FIG.5

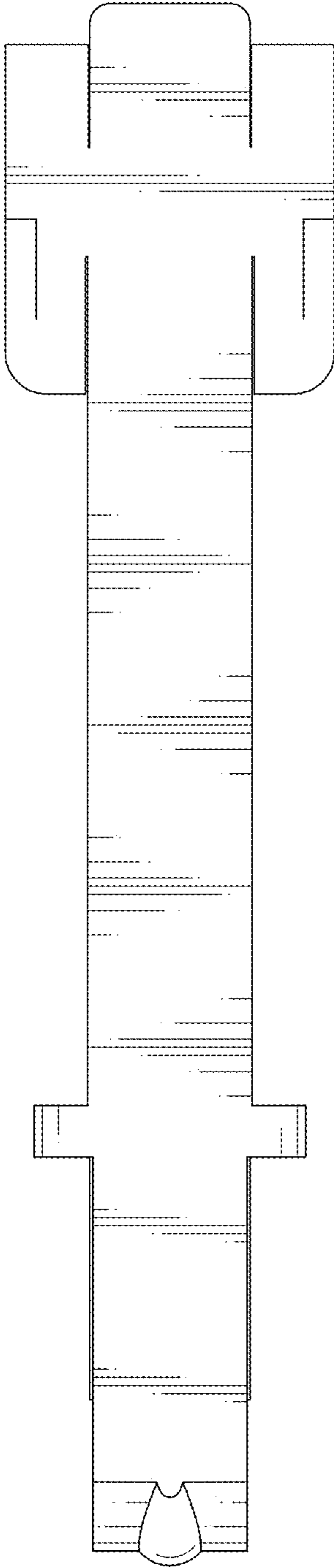


FIG.6

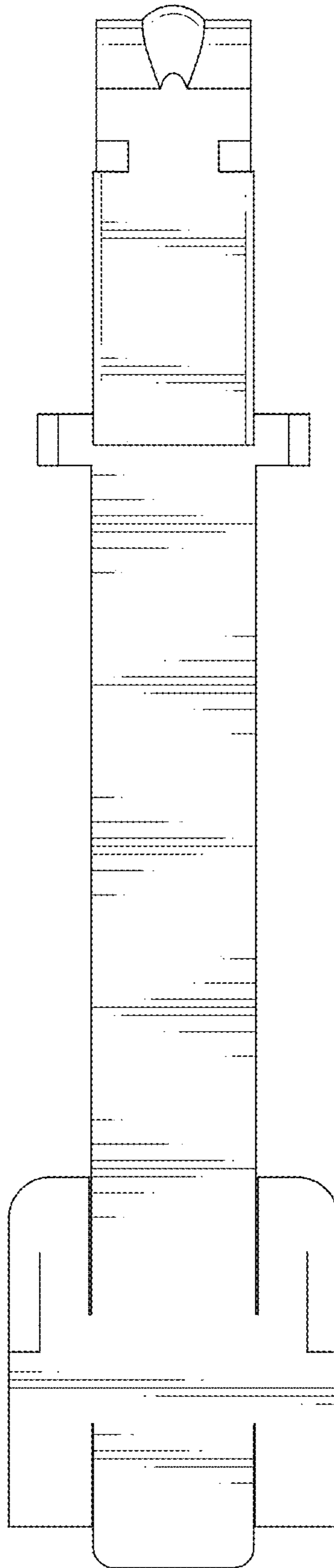


FIG.7



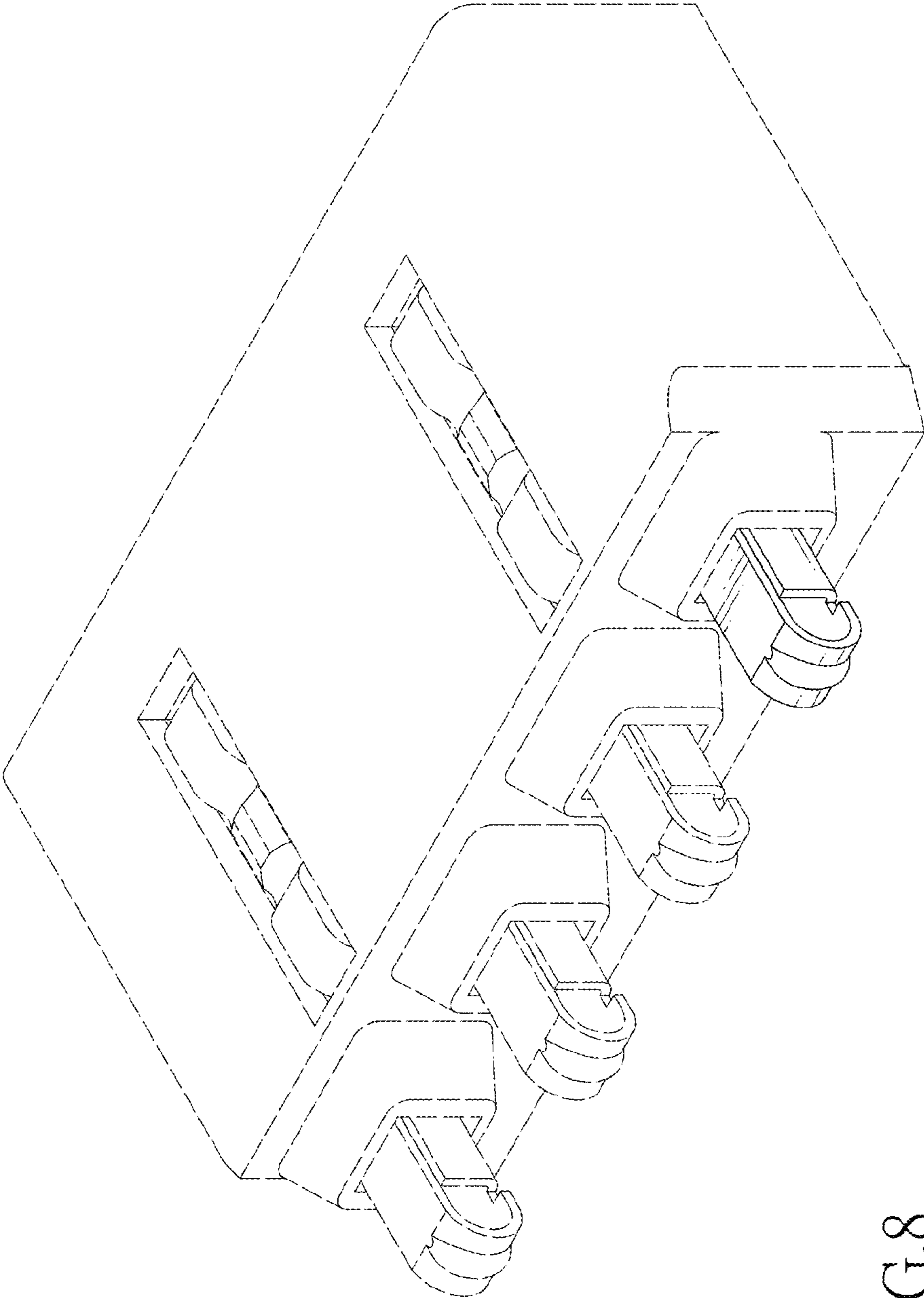


FIG.8