



US00D726120S

(12) **United States Design Patent**
Hou et al.

(10) **Patent No.:** **US D726,120 S**

(45) **Date of Patent:** **** Apr. 7, 2015**

(54) **TONGUE PLATE FOR MICRO-CONNECTOR**

(56) **References Cited**

(71) Applicant: **Advanced-Connectek Inc.**, Taipei (TW)

U.S. PATENT DOCUMENTS

(72) Inventors: **Pin-Yuan Hou**, Taipei (TW); **Ya-Fen Kao**, Taipei (TW); **Yu-Lun Tsai**, Taipei (TW); **Wen-Yu Wang**, Taipei (TW); **Wen-Hsien Tsai**, Taipei (TW)

D328,890	S	*	8/1992	Tomikawa et al.	D13/147
D399,047	S	*	10/1998	Yoshida et al.	D13/147
D621,785	S	*	8/2010	Nickol	D13/147
7,909,654	B2	*	3/2011	He et al.	439/660
D710,309	S	*	8/2014	Arai et al.	D13/147
D713,795	S	*	9/2014	Yang	D13/147
2014/0120781	A1	*	5/2014	Dong et al.	439/660

(73) Assignee: **Advanced-Connectek, Inc.**, Taipei (TW)

* cited by examiner

(**) Term: **14 Years**

Primary Examiner — Daniel Bui

(21) Appl. No.: **29/487,764**

(74) *Attorney, Agent, or Firm* — Rabin & Berdo, P.C.

(22) Filed: **Apr. 11, 2014**

(57) **CLAIM**

The ornamental design for a tongue plate for micro-connector, as shown and described.

(30) **Foreign Application Priority Data**

Oct. 18, 2013 (TW) 102306875

DESCRIPTION

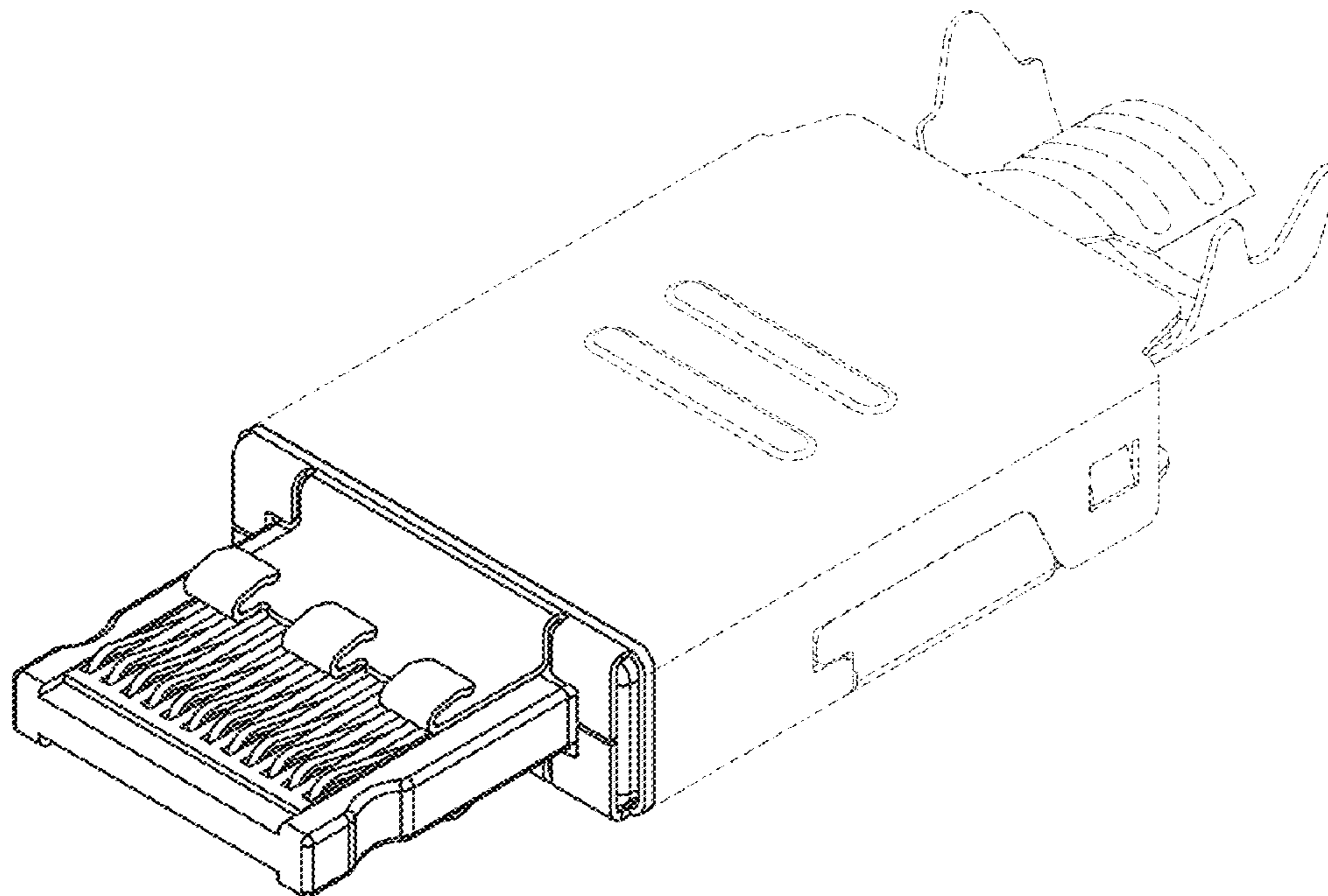
(51) **LOC (10) Cl.** **13-03**

(52) **U.S. Cl.**
USPC **D13/147**

(58) **Field of Classification Search**
USPC D13/147, 154, 184, 199
See application file for complete search history.

FIG. 1 is a perspective view of a tongue plate for micro-connector showing my new design; FIG. 2 is a front elevational view thereof; FIG. 3 is a rear elevational view thereof; FIG. 4 is a left side elevational view thereof; FIG. 5 is a right side elevational view thereof; FIG. 6 is a top plan view thereof; and, FIG. 7 is a bottom plan view thereof. The broken line in the drawing is included to show unclaimed environment only and forms no part of the claimed design.

1 Claim, 7 Drawing Sheets



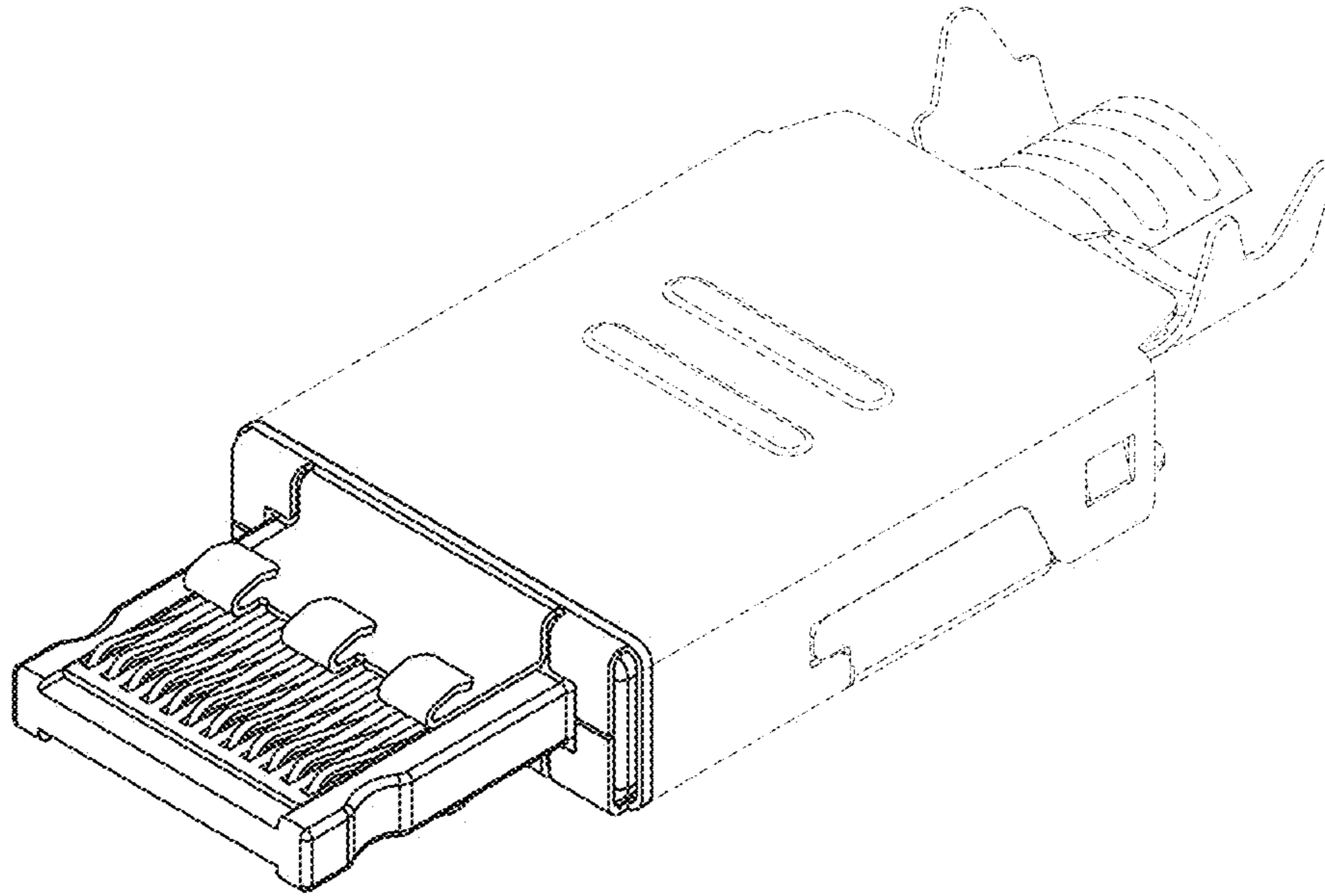


FIG. 1

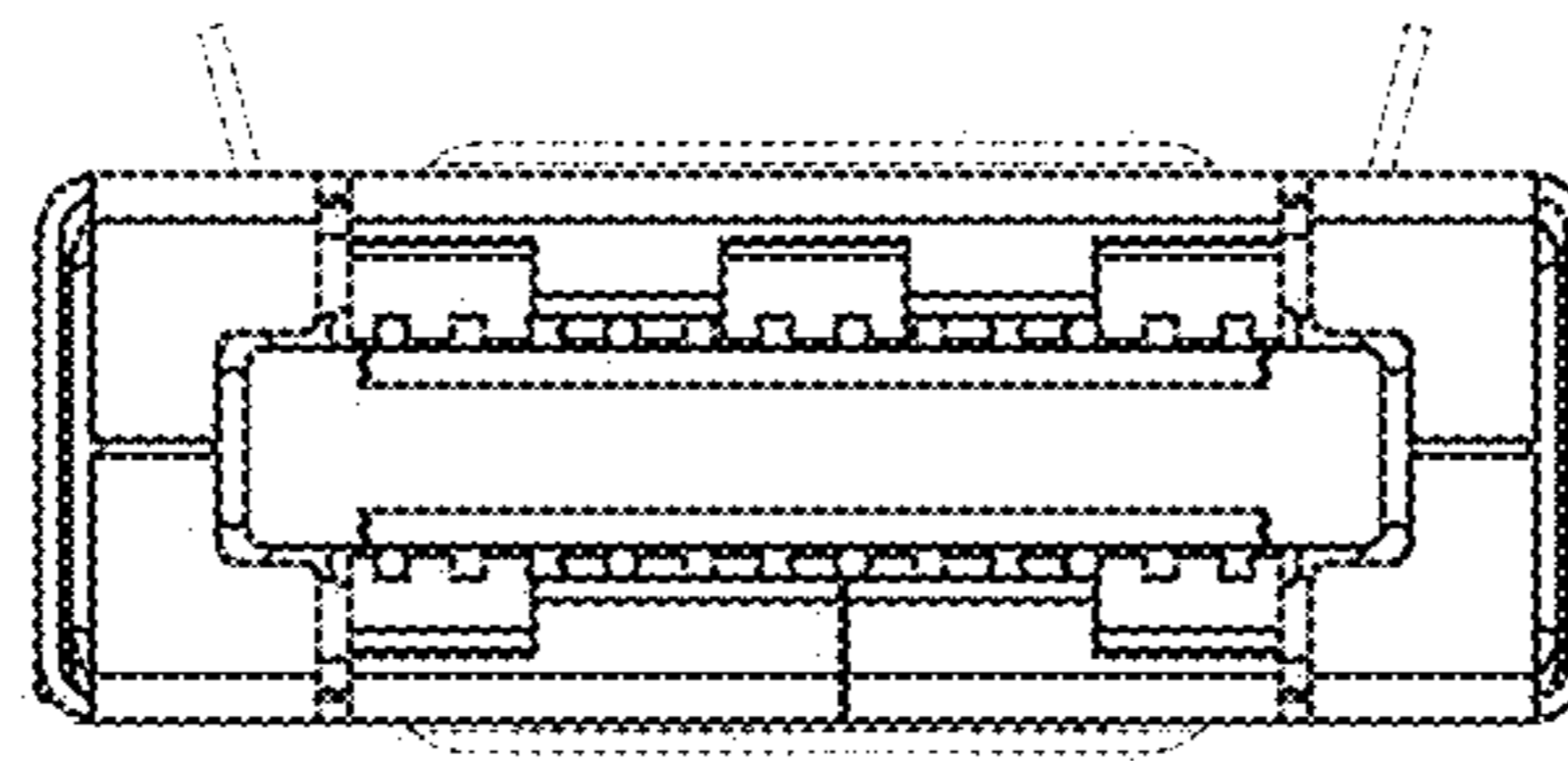


FIG. 2

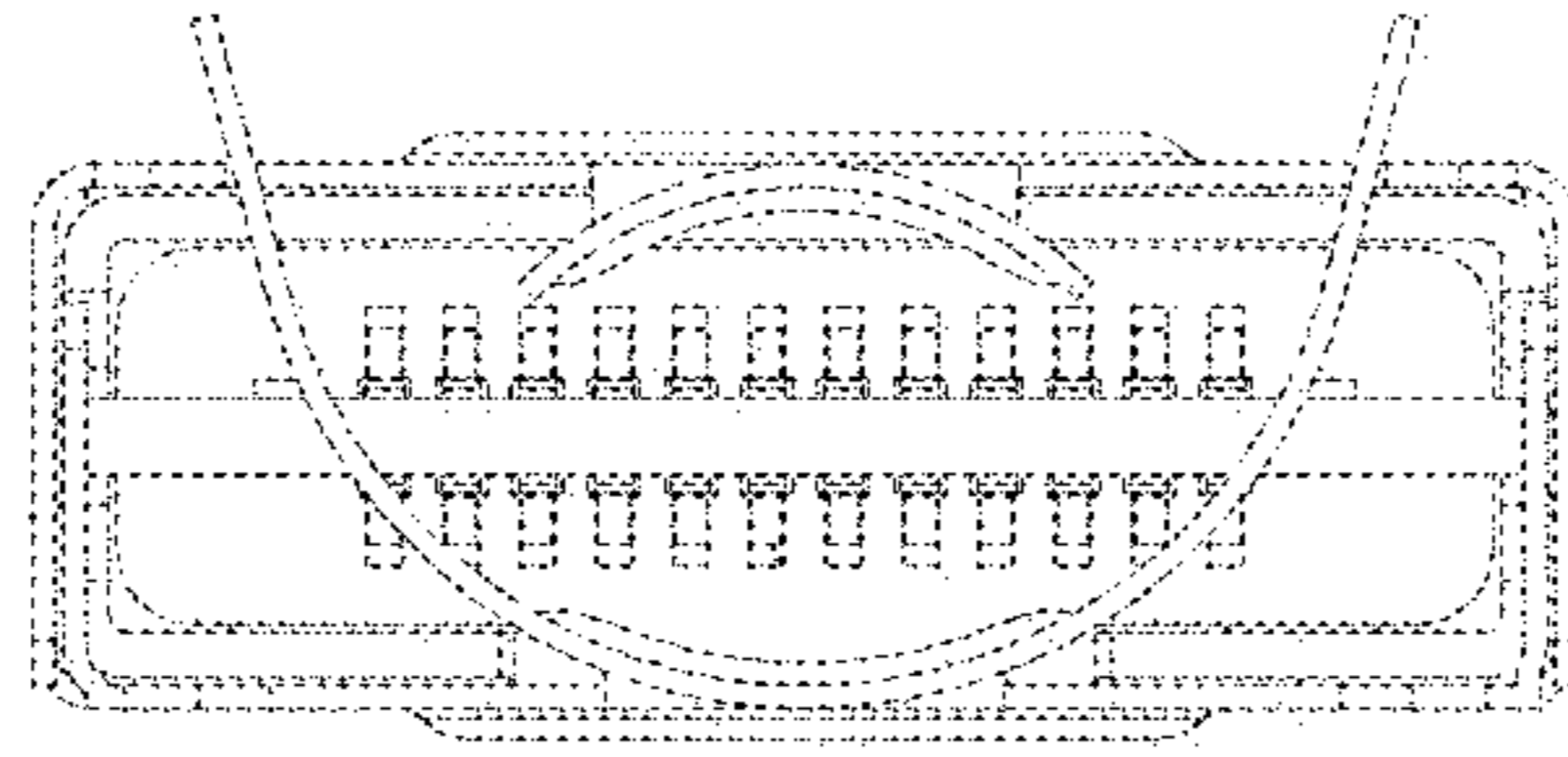


FIG. 3

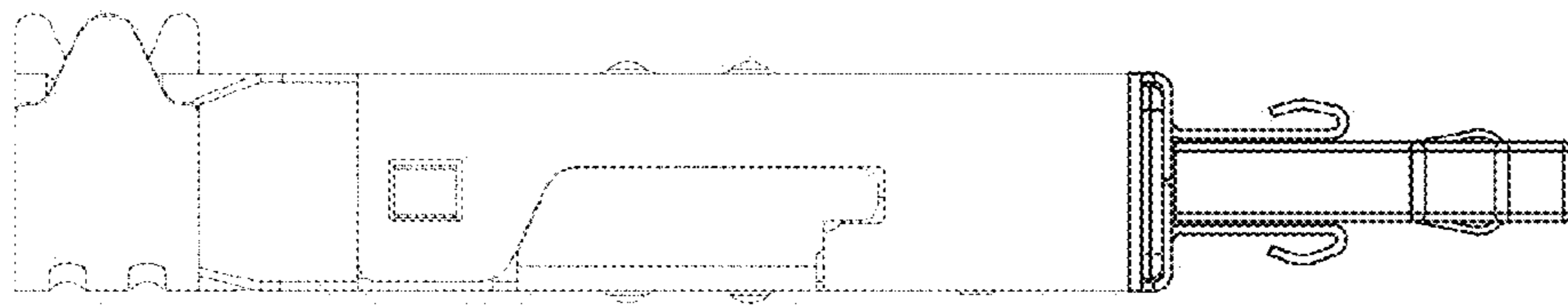


FIG. 4

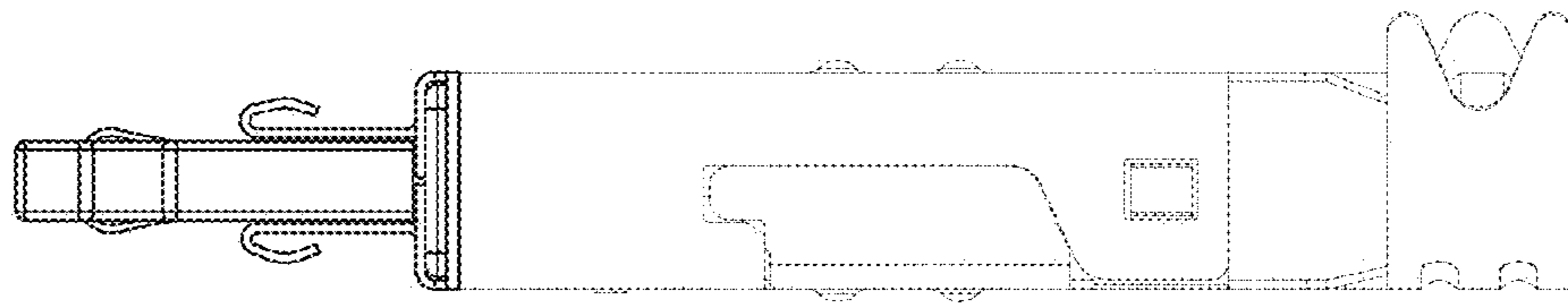


FIG. 5

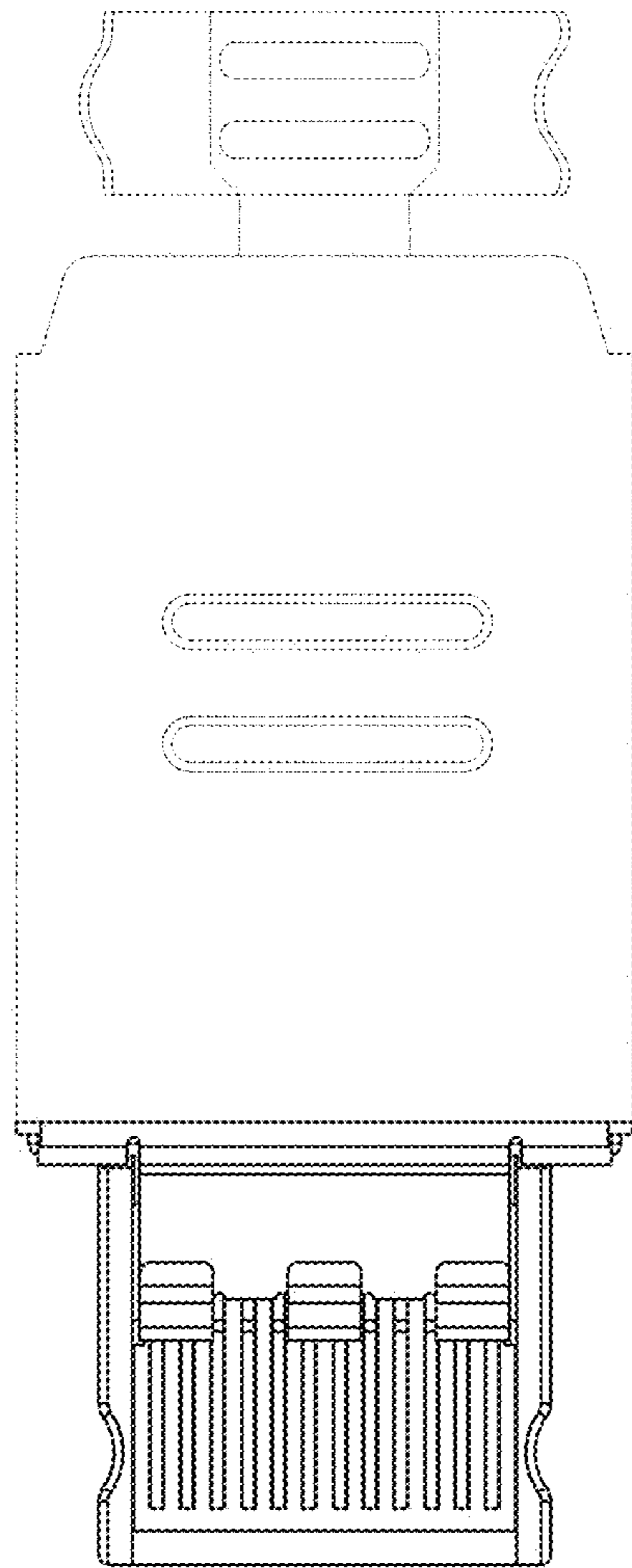


FIG. 6

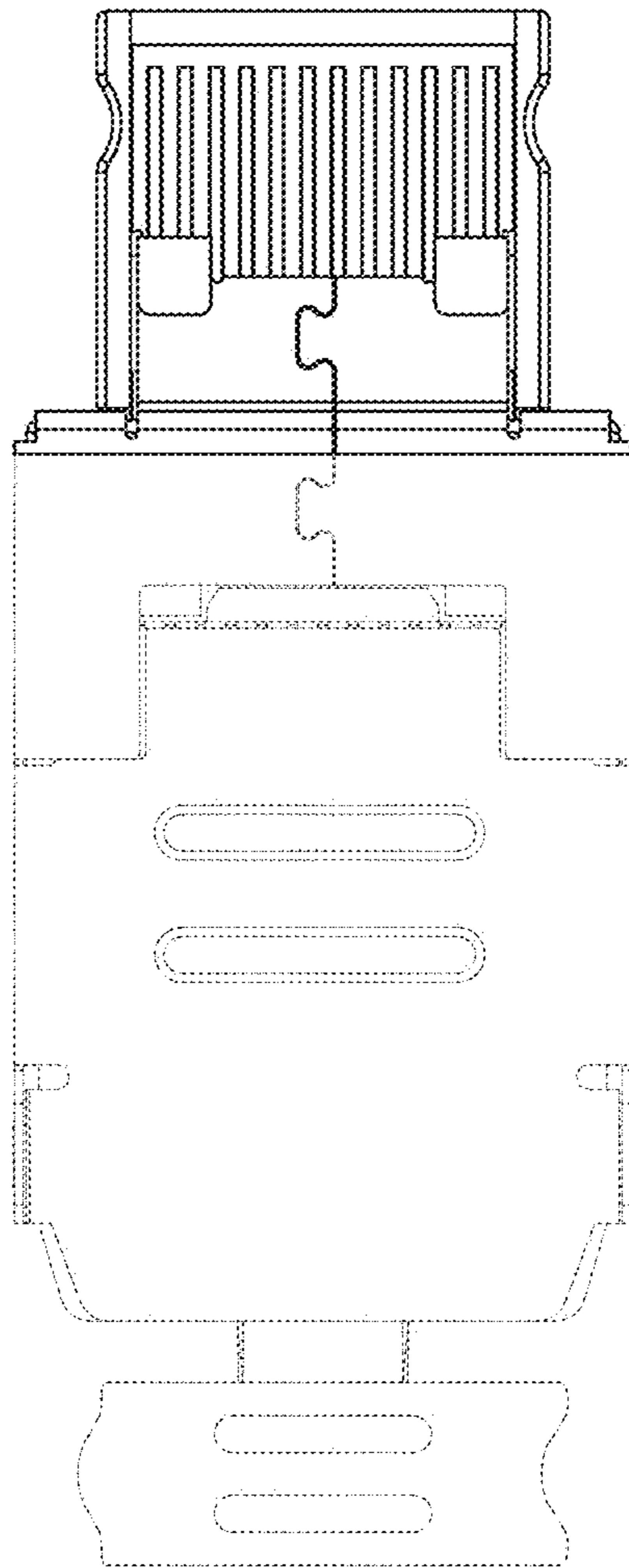


FIG. 7