



US00D726119S

(12) **United States Design Patent**
Yamaguchi

(10) **Patent No.:** **US D726,119 S**
(45) **Date of Patent:** **** Apr. 7, 2015**

(54) **ELECTRICAL CONNECTOR**

FOREIGN PATENT DOCUMENTS

(71) Applicant: **Japan Aviation Electronics Industry, Limited**, Tokyo (JP)

JP D1470498 S 5/2013
JP D1470499 S 5/2013

(72) Inventor: **Shuhei Yamaguchi**, Tokyo (JP)

* cited by examiner

(73) Assignee: **Japan Aviation Electronics Industry, Limited**, Tokyo (JP)

Primary Examiner — Daniel Bui

(74) *Attorney, Agent, or Firm* — Cermak Nakajima & McGowan LLP; Tomoko Nakajima

(**) Term: **14 Years**

(21) Appl. No.: **29/478,463**

(57) **CLAIM**

The ornamental design for an electrical connector, as shown.

(22) Filed: **Jan. 6, 2014**

DESCRIPTION

(30) **Foreign Application Priority Data**

Jul. 17, 2013 (JP) 2013-016237
Jul. 17, 2013 (JP) 2013-016238

(51) **LOC (10) Cl.** **13-03**

(52) **U.S. Cl.**
USPC **D13/147**

(58) **Field of Classification Search**
USPC D13/147, 154, 184, 199; 439/79, 108,
439/350, 353, 357, 378, 476.1, 489, 587,
439/594, 595, 598, 607.01, 607.04, 607.05,
439/607.17, 607.25, 607.34, 607.41,
439/607.53, 656, 660, 668, 680, 711, 745,
439/752

See application file for complete search history.

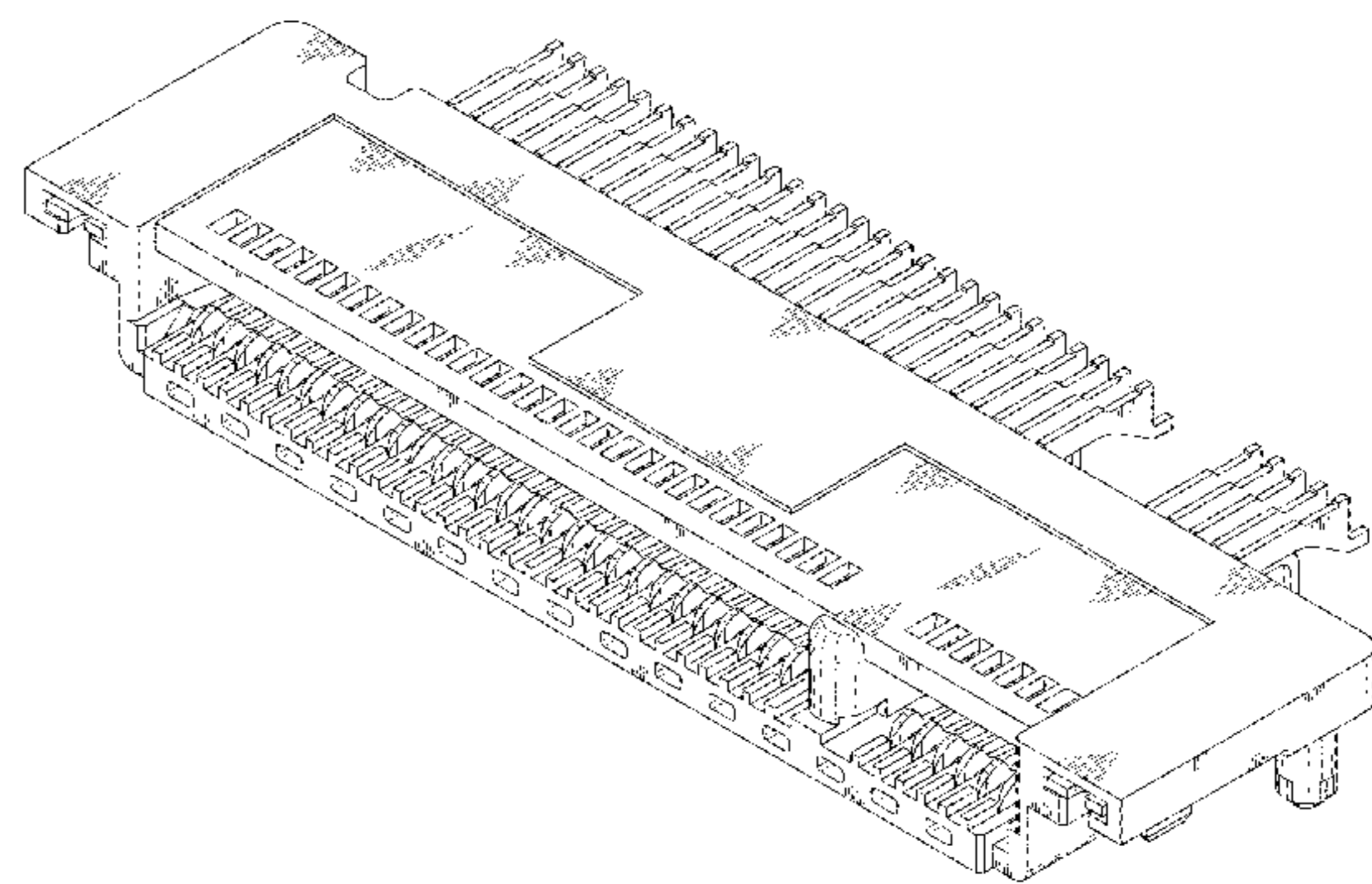
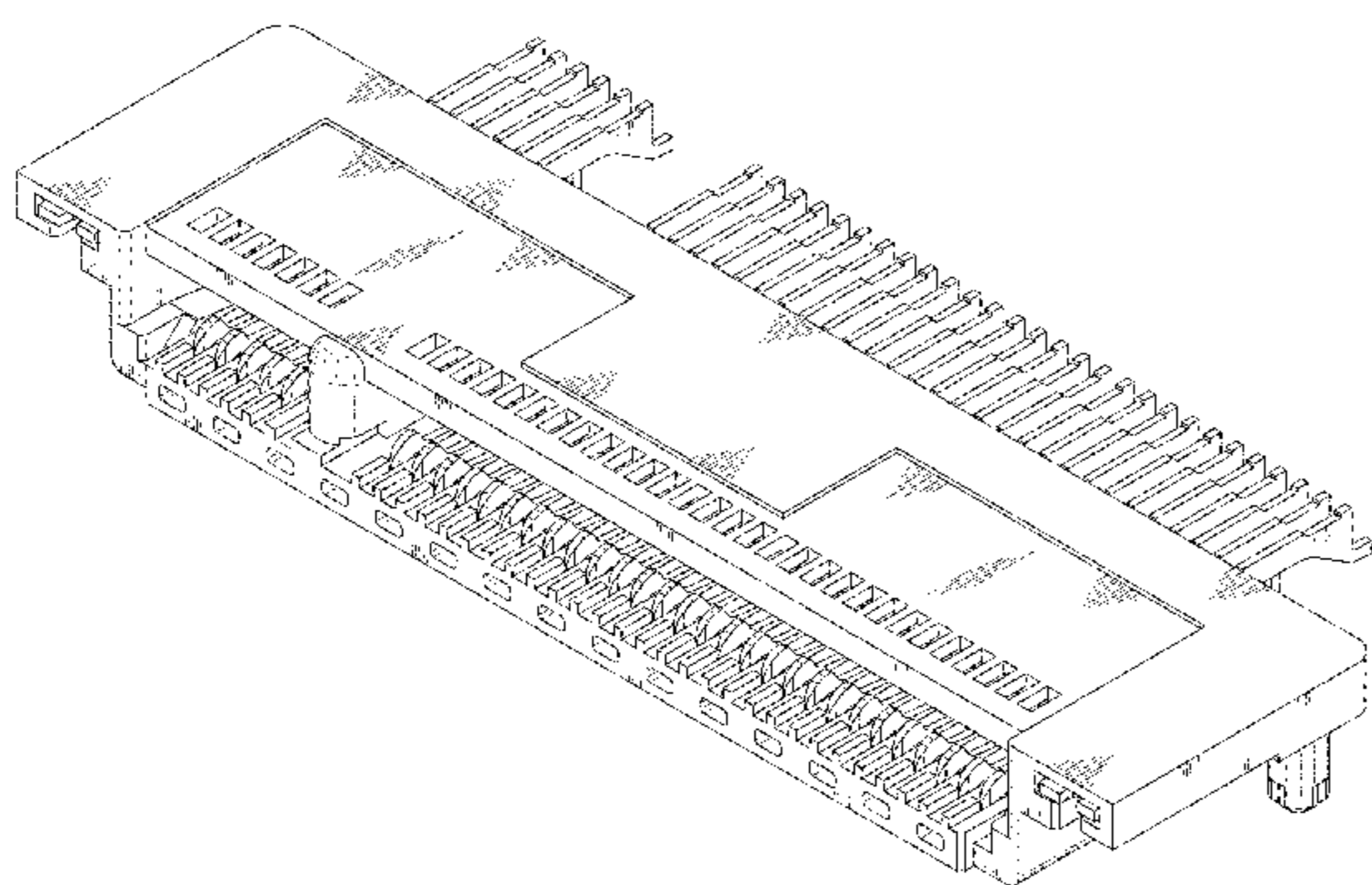
FIG. 1 is a front elevational view of a first embodiment of an electrical connector showing my new design;
FIG. 2 is a top plan view thereof;
FIG. 3 is a right side elevational view thereof;
FIG. 4 is a left side elevational view thereof;
FIG. 5 is a rear elevational view thereof; and
FIG. 6 is a bottom plan view thereof.
FIG. 7 is a front and top perspective view thereof;
FIG. 8 is a front and bottom perspective view thereof;
FIG. 9 is a rear and top perspective view thereof; and
FIG. 10 is a rear and bottom perspective view thereof.
FIG. 11 is a front elevational view of a second embodiment of an electrical connector showing my new design;
FIG. 12 is a top plan view thereof;
FIG. 13 is a right side elevational view thereof;
FIG. 14 is a left side elevational view thereof;
FIG. 15 is a rear elevational view thereof; and
FIG. 16 is a bottom plan view thereof.
FIG. 17 is a front and top perspective view thereof;
FIG. 18 is a front and bottom perspective view thereof;
FIG. 19 is a rear and top perspective view thereof; and
FIG. 20 is a rear and bottom perspective view thereof.

(56) **References Cited**

U.S. PATENT DOCUMENTS

D583,768 S * 12/2008 Nakamura D13/147
D602,870 S * 10/2009 Wu et al. D13/147
D661,656 S * 6/2012 Bodmann et al. D13/147
D690,655 S * 10/2013 Fu et al. D13/147
D703,143 S * 4/2014 Yamaguchi D13/147
D706,222 S * 6/2014 Yamaguchi D13/147

1 Claim, 20 Drawing Sheets



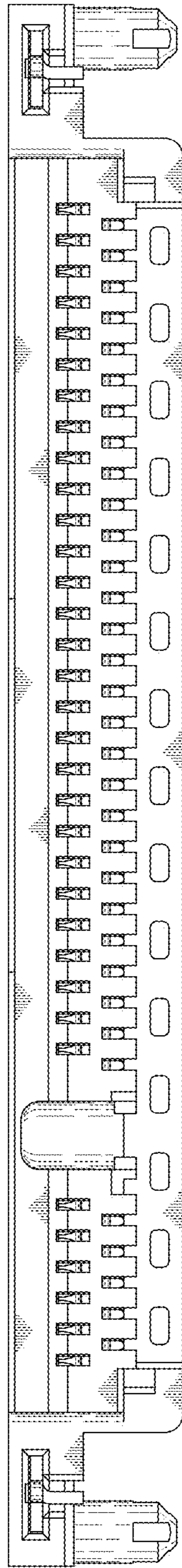


FIG.1

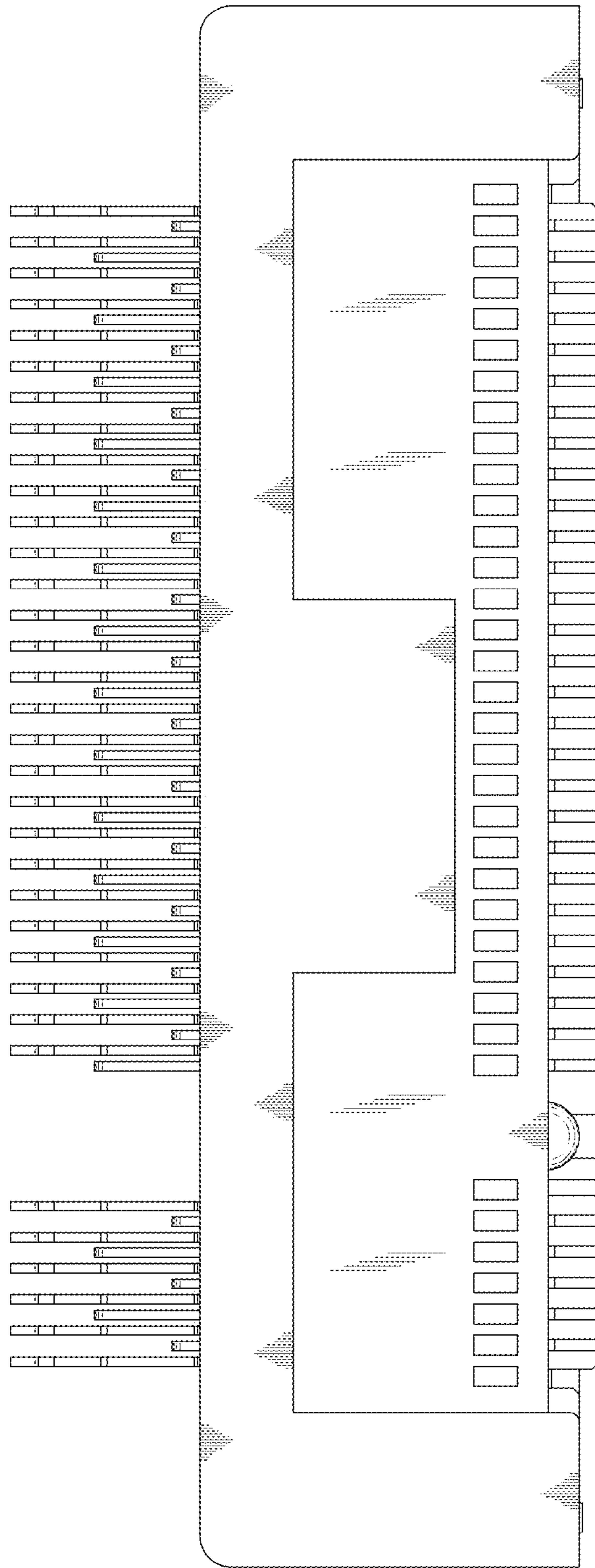


FIG.2

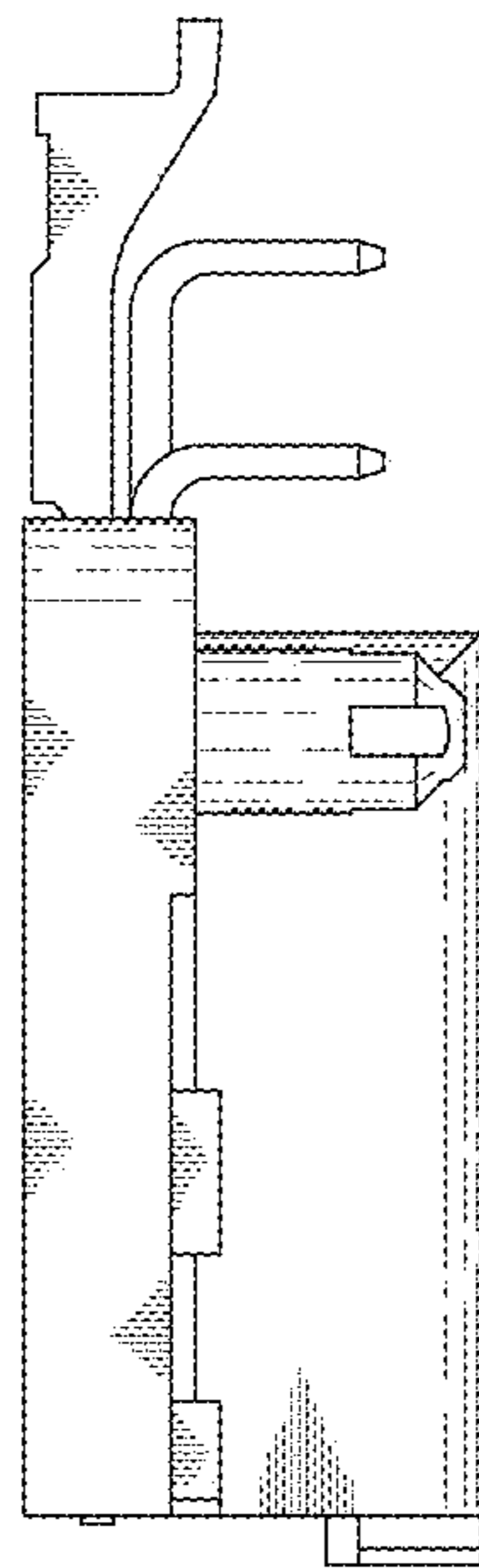


FIG.3

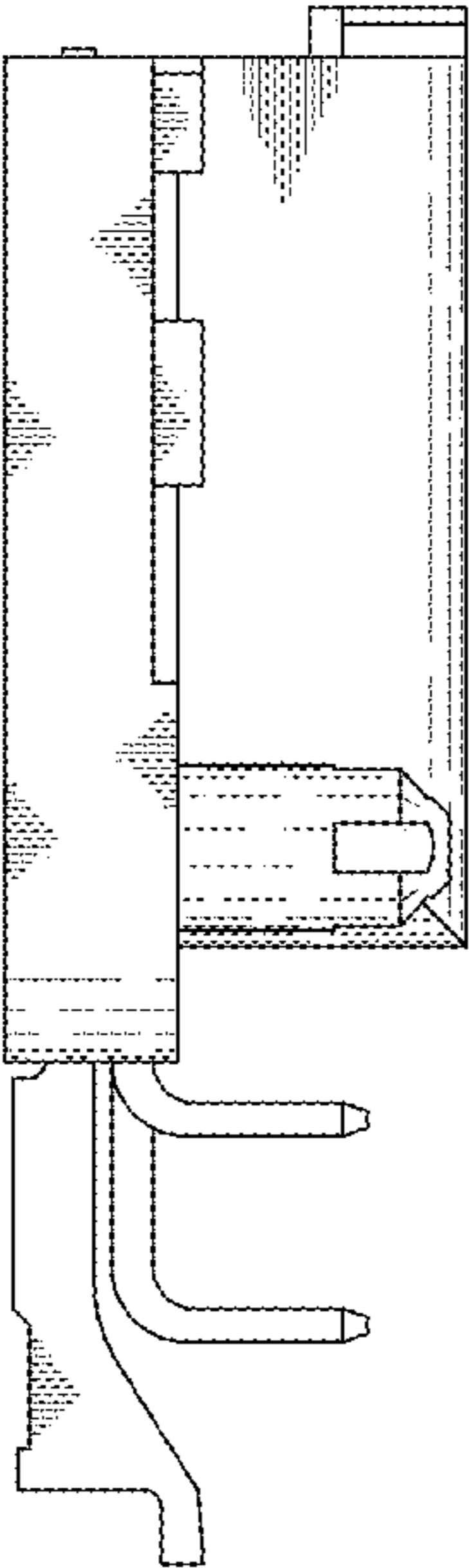


FIG.4

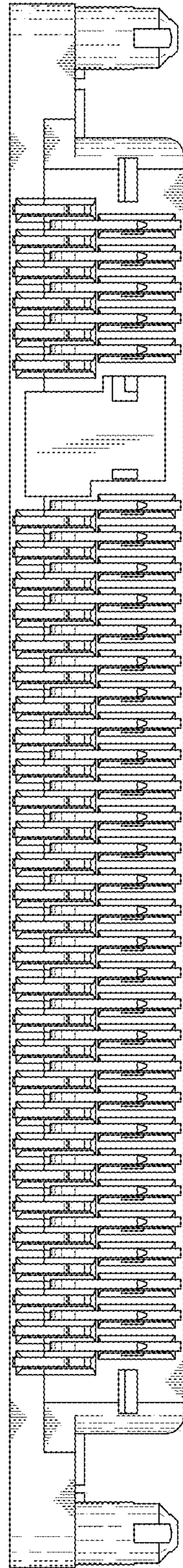


FIG.5

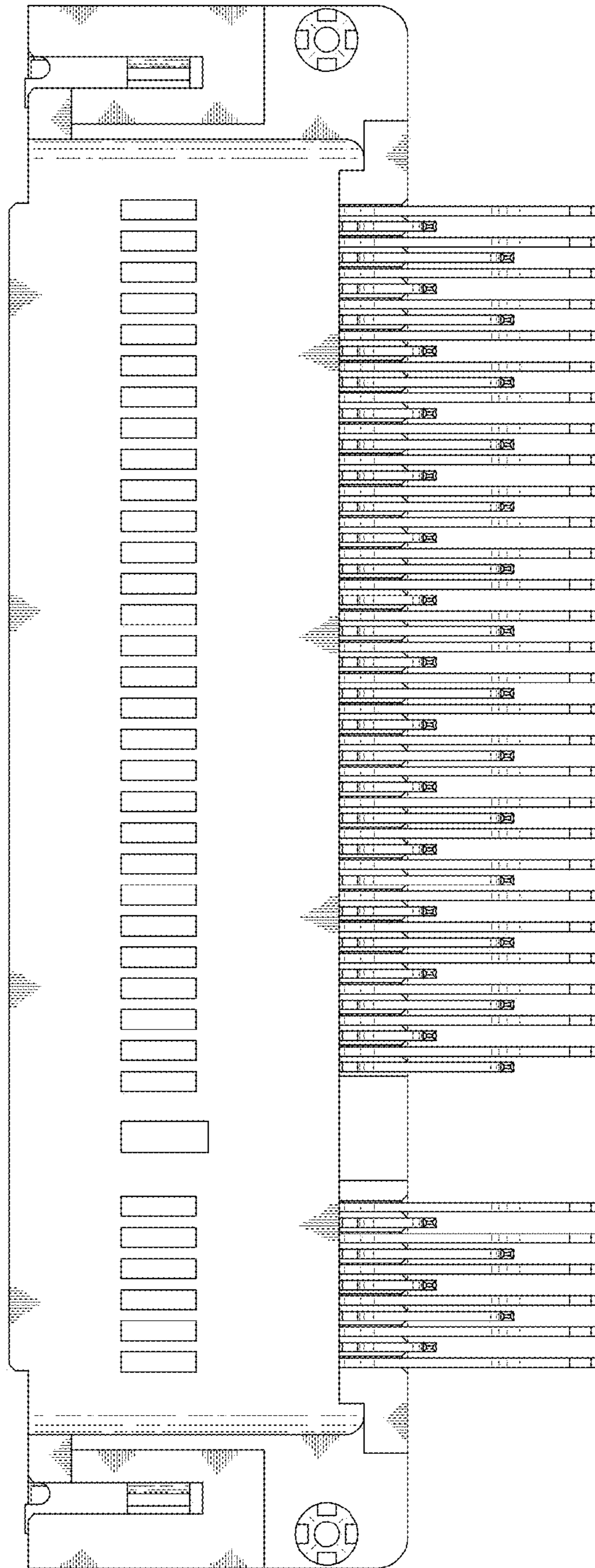


FIG.6

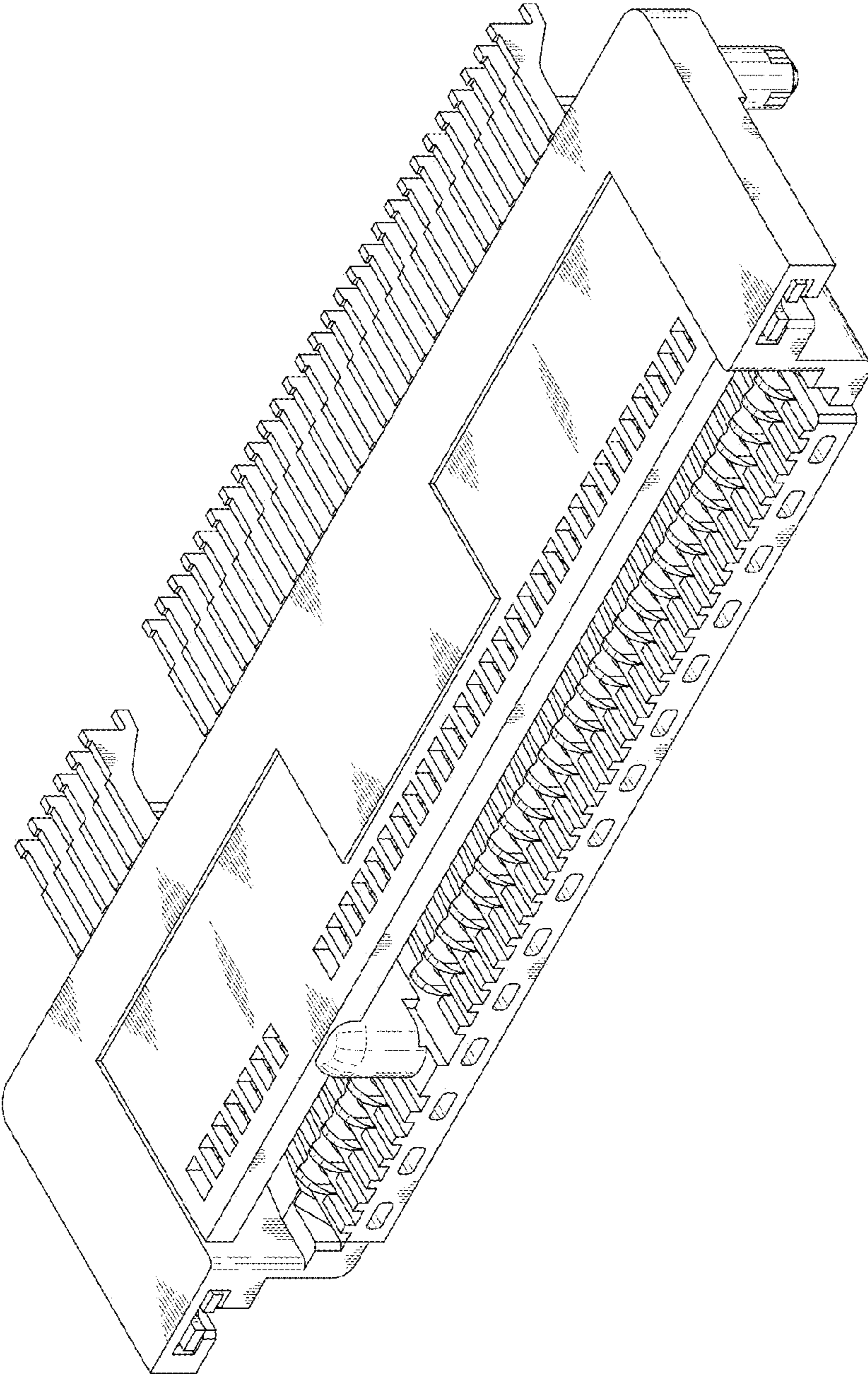


FIG.7

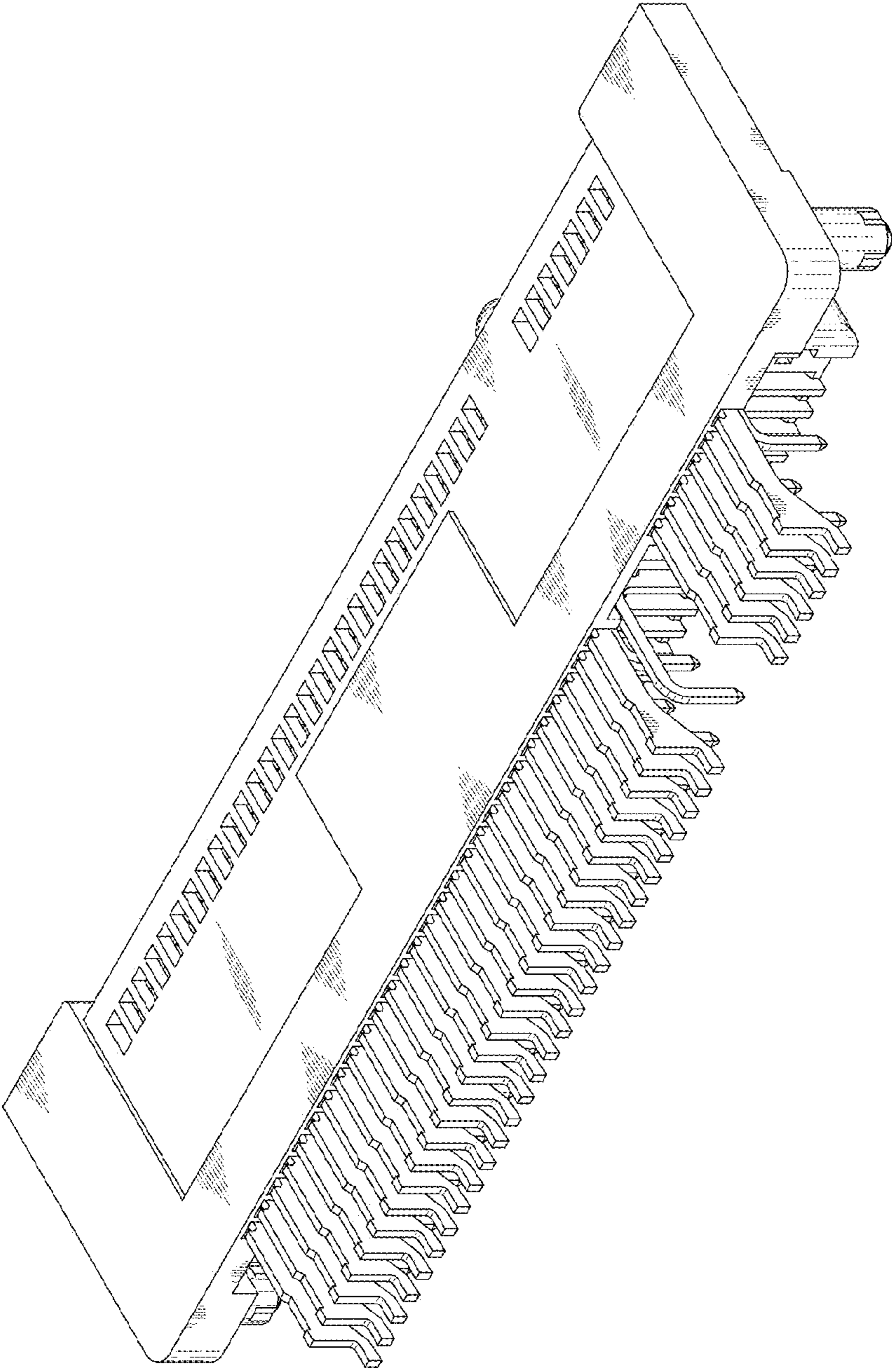


FIG.8

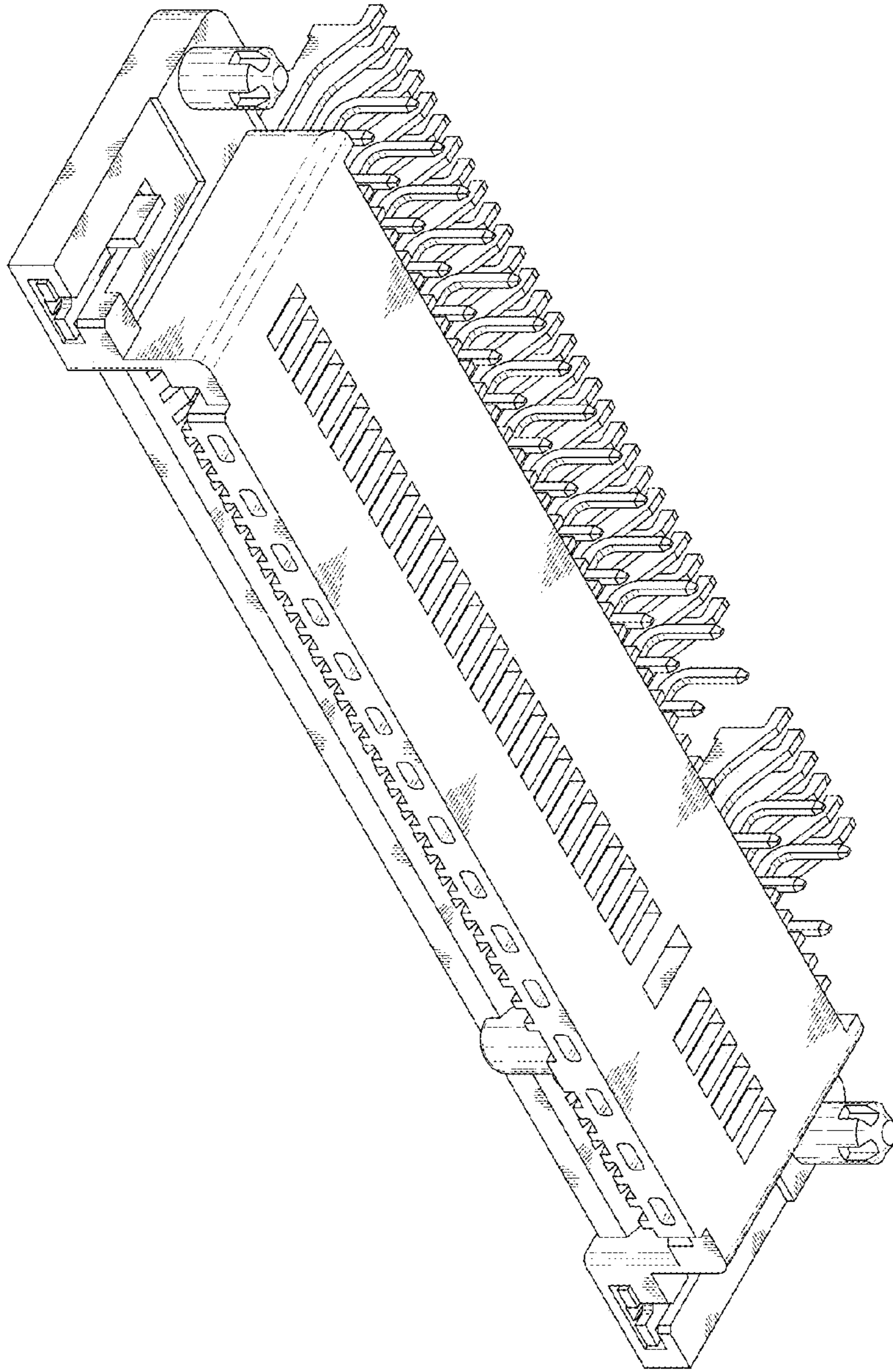


FIG. 9

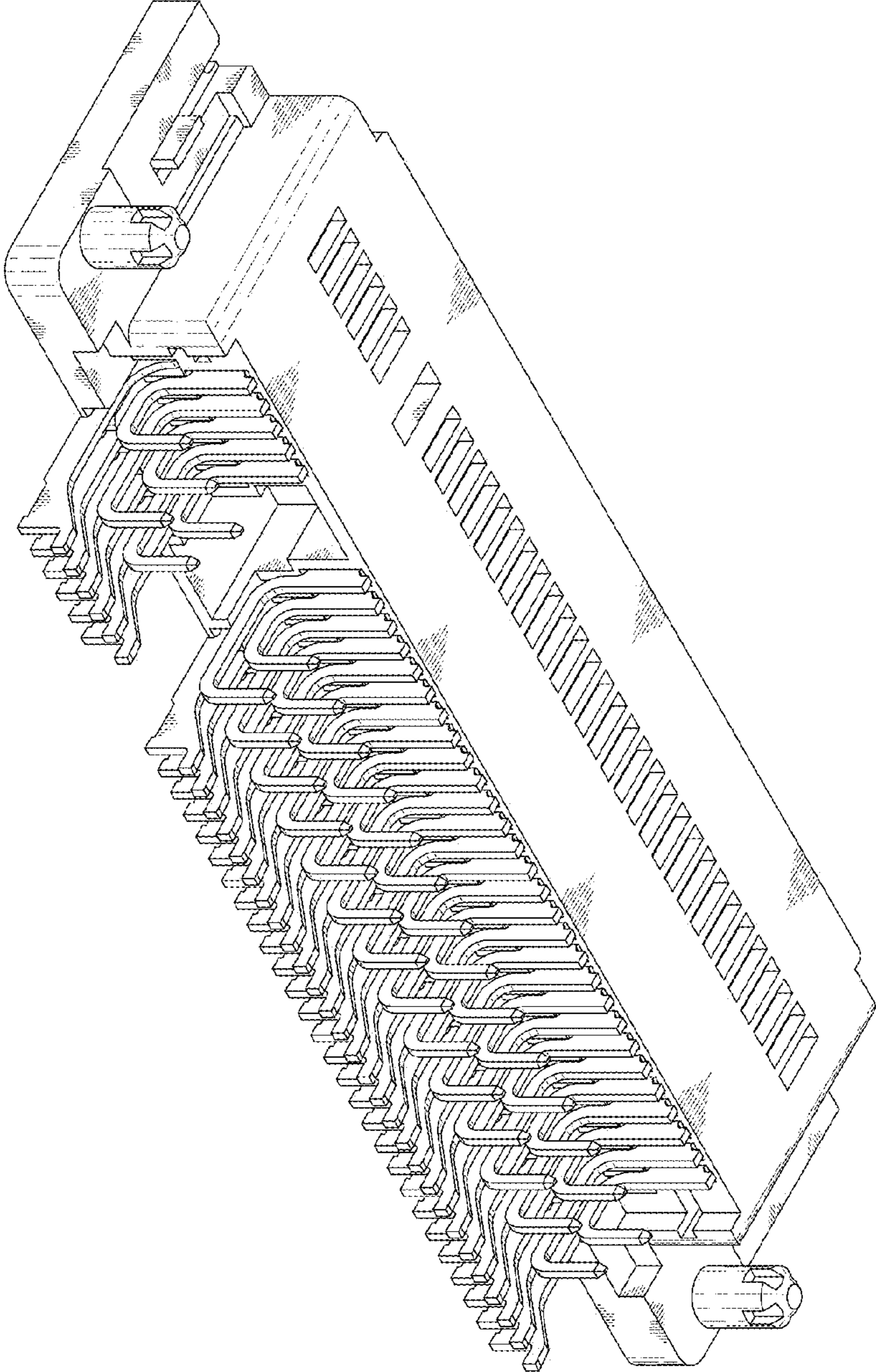


FIG.10

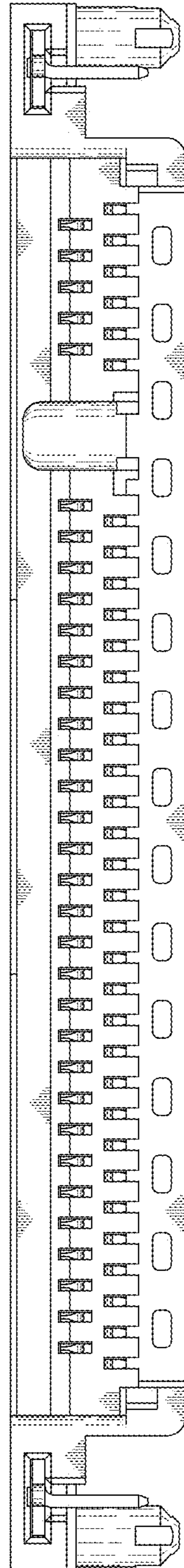


FIG.11

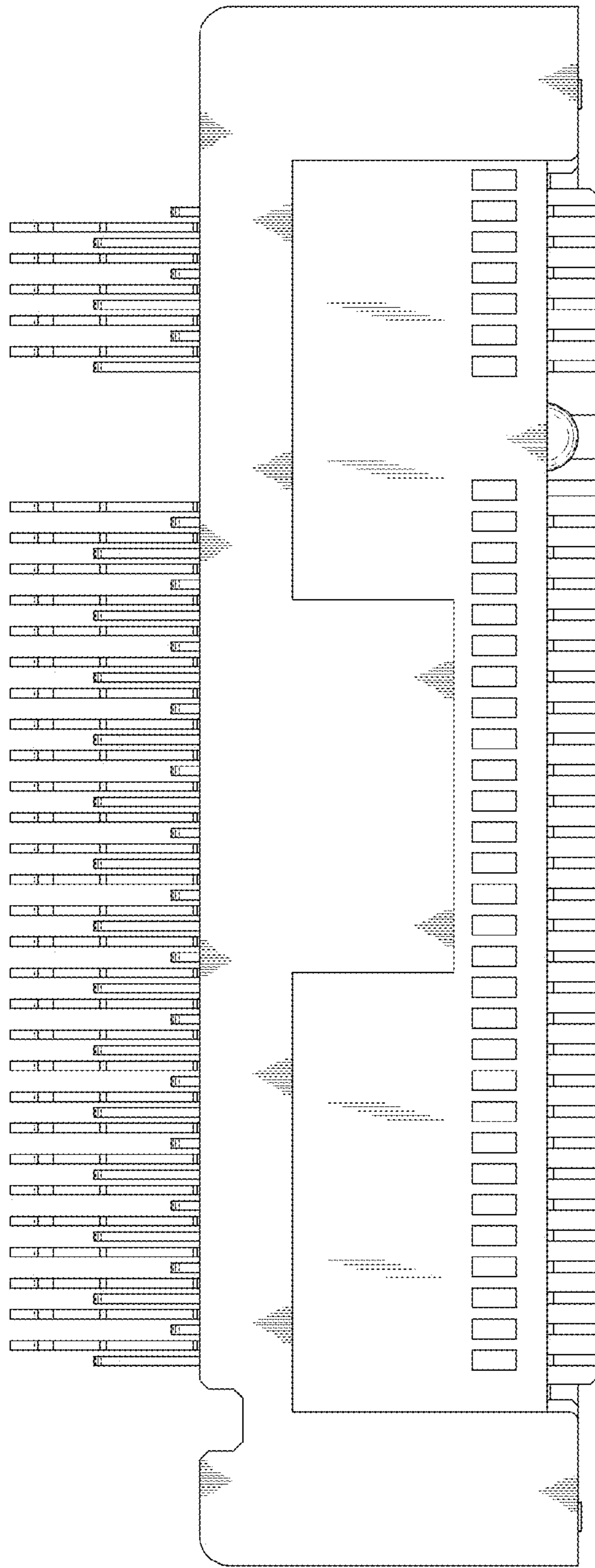


FIG.12

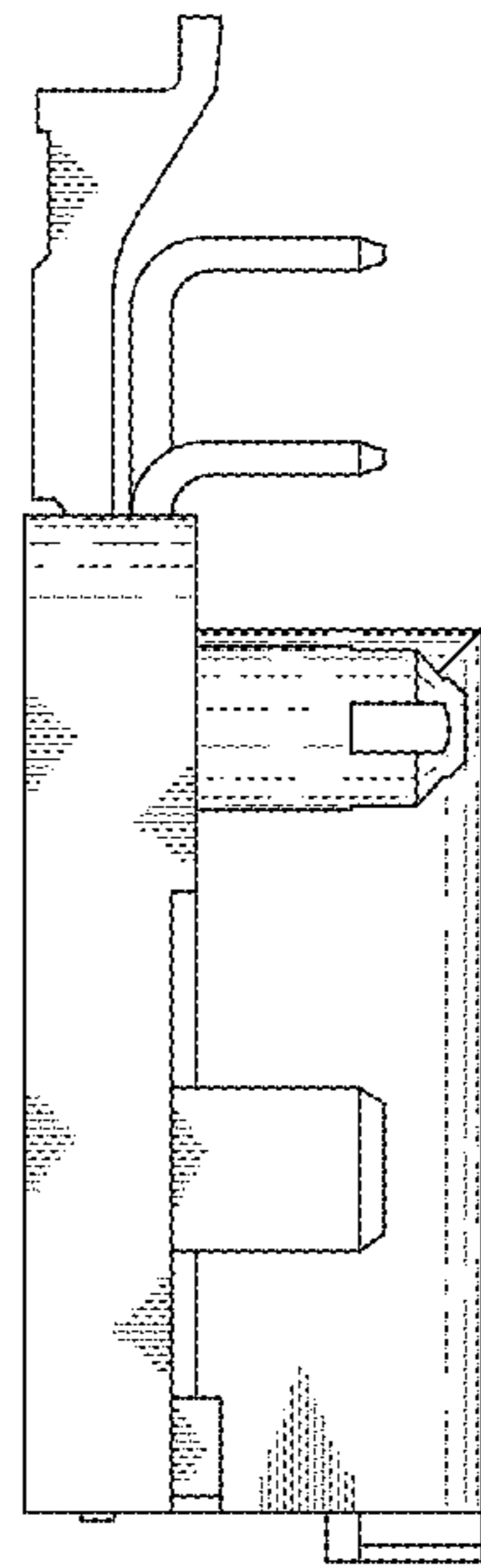


FIG.13

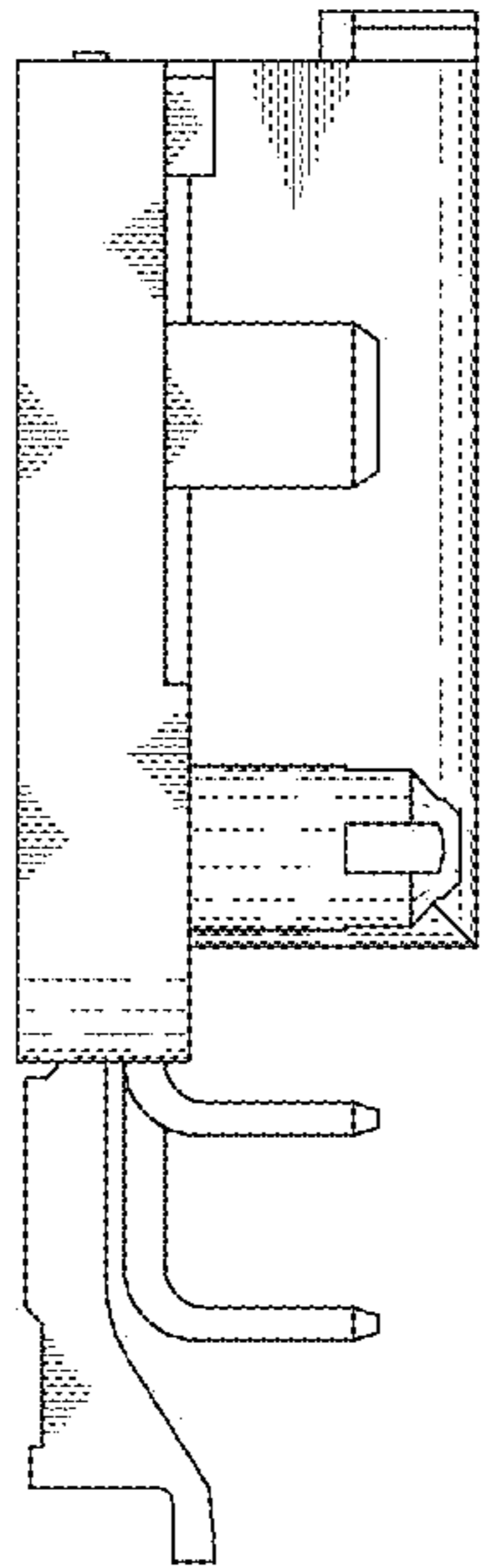


FIG.14

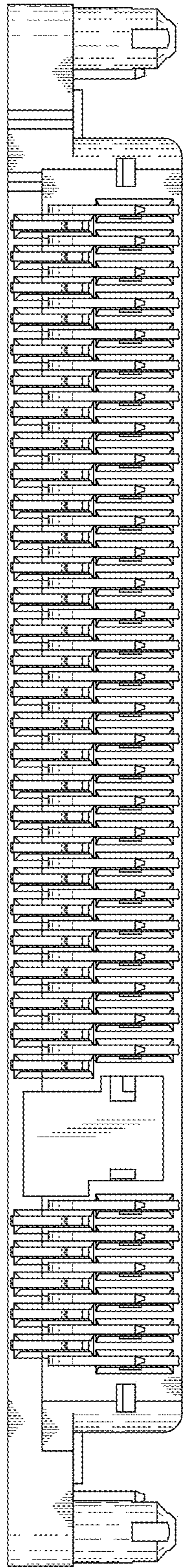


FIG.15

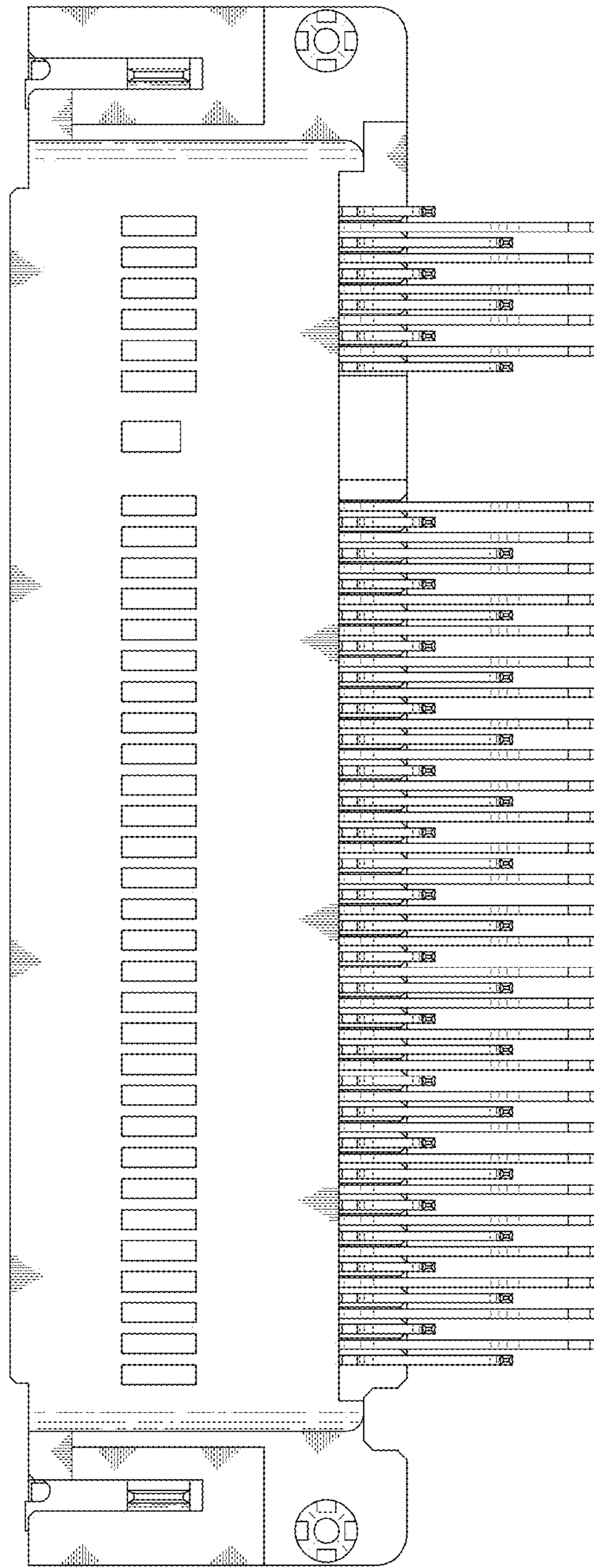


FIG.16

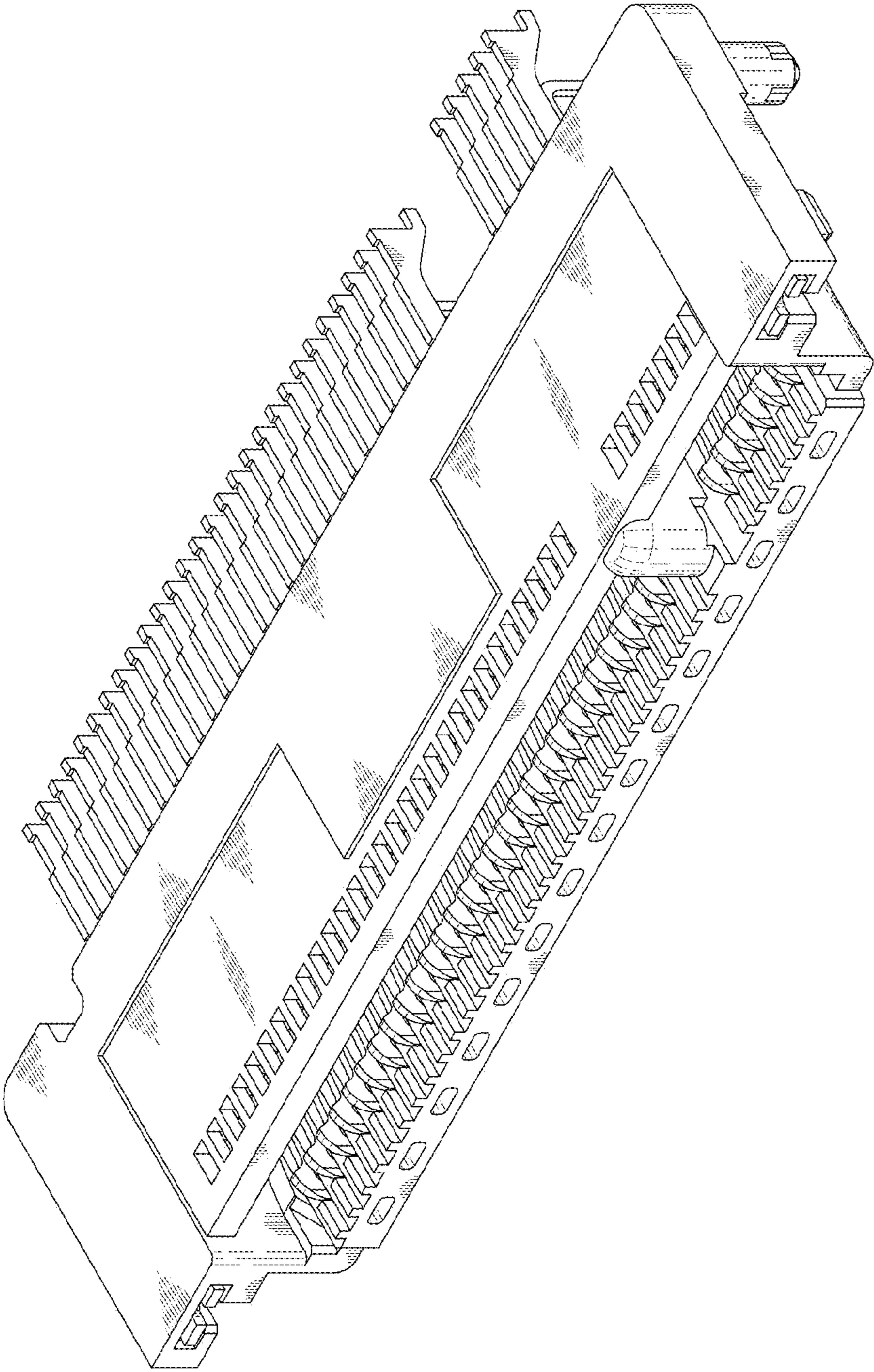


FIG.17

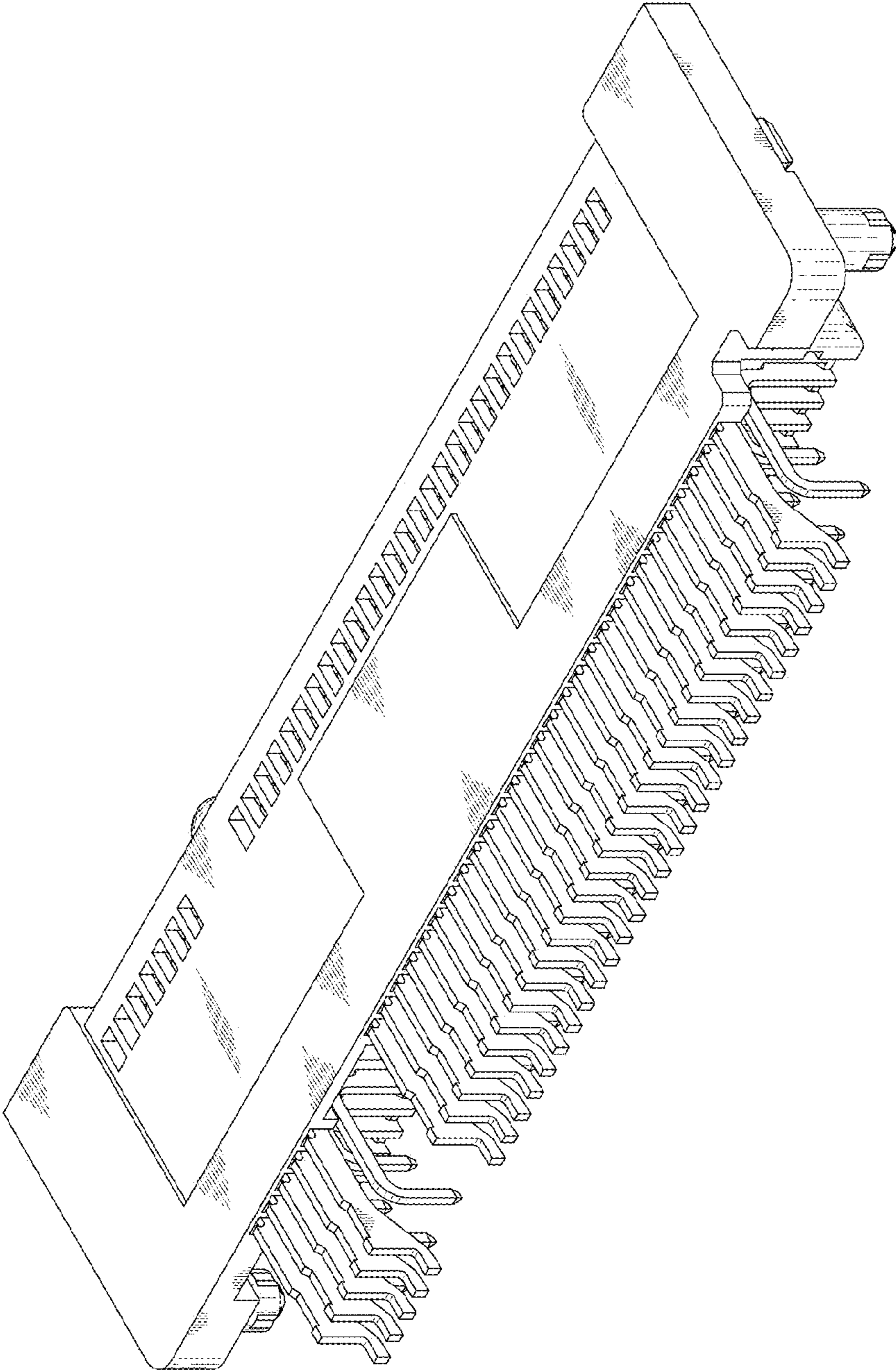


FIG.18

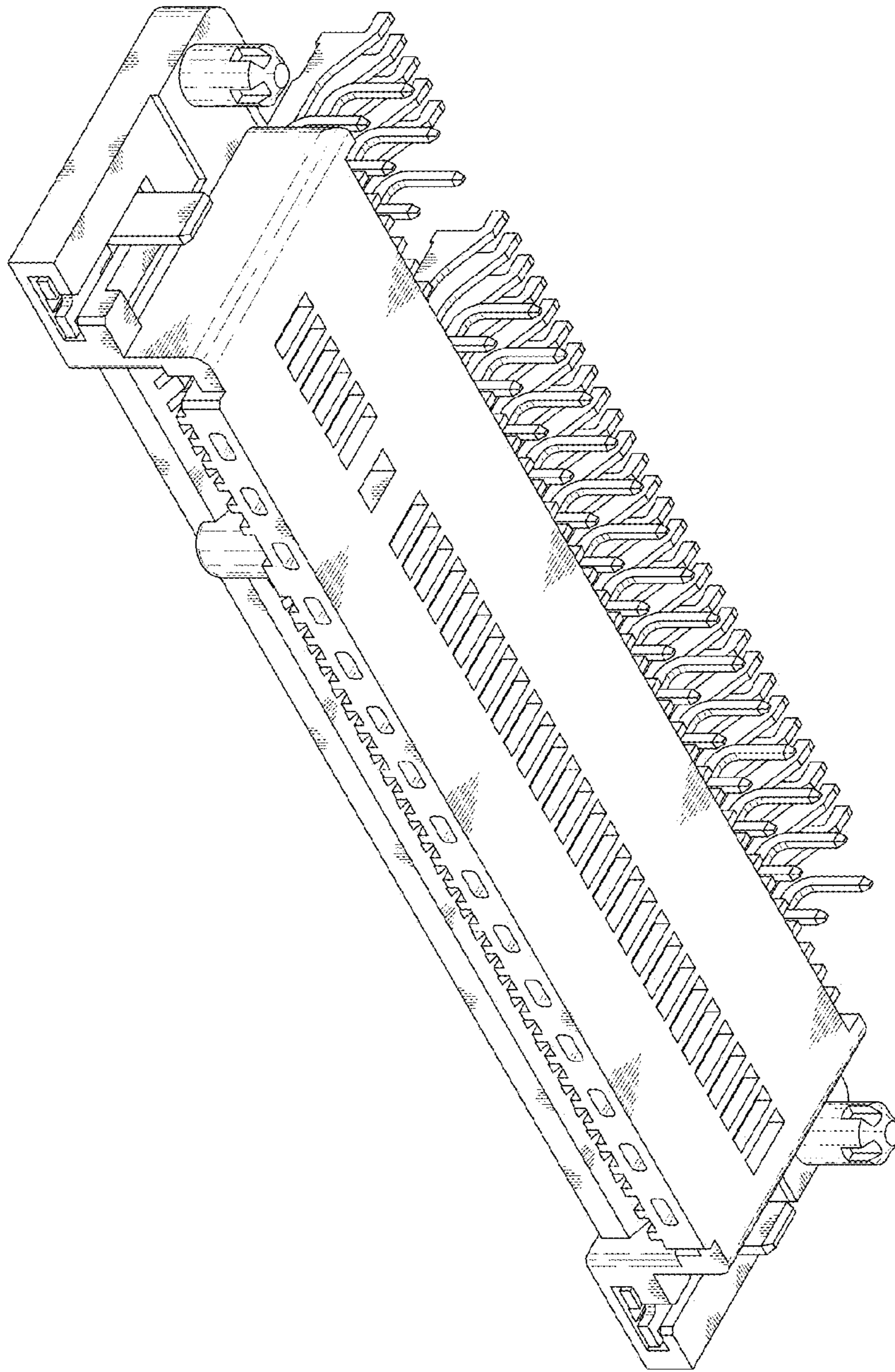


FIG.19

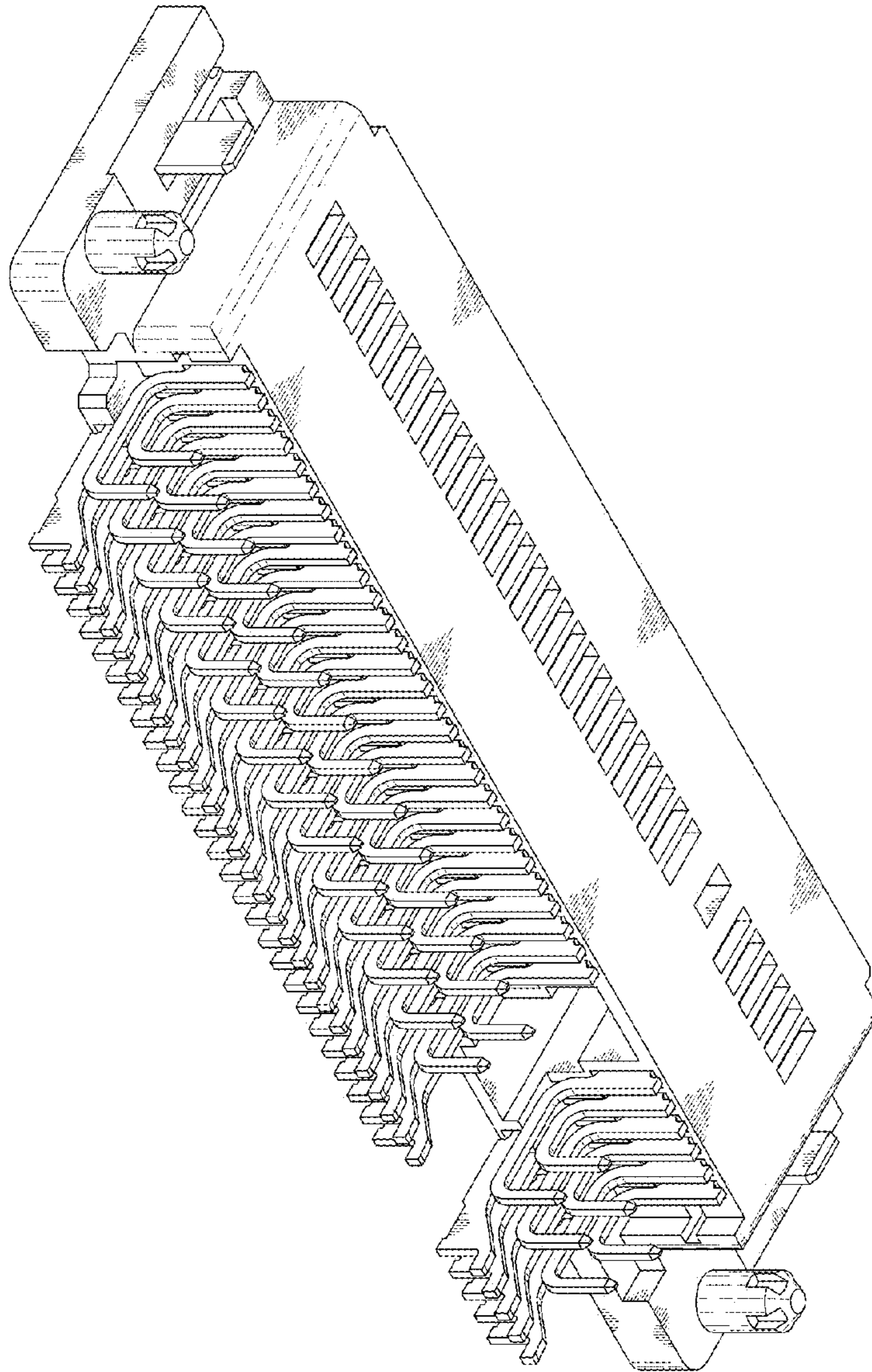


FIG.20