



US00D726118S

(12) **United States Design Patent**
Petrick et al.

(10) **Patent No.:** **US D726,118 S**
(45) **Date of Patent:** **** Apr. 7, 2015**

(54) **CONNECTOR**

(71) Applicant: **Bretford Manufacturing, Inc.**, Franklin Park, IL (US)

(72) Inventors: **Matthew Petrick**, Oak Park, IL (US); **Chris Brandel**, Chicago, IL (US); **Huey Ng**, Park Ridge, IL (US)

(73) Assignee: **Bretford Manufacturing, Inc.**, Franklin Park, IL (US)

(**) Term: **14 Years**

(21) Appl. No.: **29/449,506**

(22) Filed: **Mar. 15, 2013**

(51) **LOC (10) Cl.** **13-03**

(52) **U.S. Cl.**
USPC **D13/147**

(58) **Field of Classification Search**

CPC .. H01R 2107/00; H01R 24/62; H01R 12/716;
H01R 13/405; H01R 43/26; H01R 12/57;
H01R 12/724; H01R 13/516; H01R 13/6658;
H01R 24/64; H01R 13/502; H01R 13/6471;
H01R 13/6581; H01R 2201/06; H01R 24/60;
H01R 13/648; H01R 13/6585; H01R 13/6587;
H01R 13/6594; H01R 13/6461; H01R 13/506;
H01R 13/658; H01R 43/24; H01R 13/46;
H01R 24/76; H01R 13/04; H01R 13/504
USPC D14/432, 433, 435.1, 217, 256, 299;
D13/133, 146, 147, 153, 154, 156, 184,
D13/199

See application file for complete search history.

(56) **References Cited**

U.S. PATENT DOCUMENTS

D600,652 S * 9/2009 Hong et al. D13/154
D636,337 S * 4/2011 Smith et al. D13/147
D692,390 S * 10/2013 Smith et al. D13/153
D714,226 S * 9/2014 Chang et al. D13/147
D716,235 S * 10/2014 Tien D13/147

* cited by examiner

Primary Examiner — Daniel Bui

Assistant Examiner — Khawaja Anwar

(74) *Attorney, Agent, or Firm* — Anderson Gorecki & Rouille, LLP

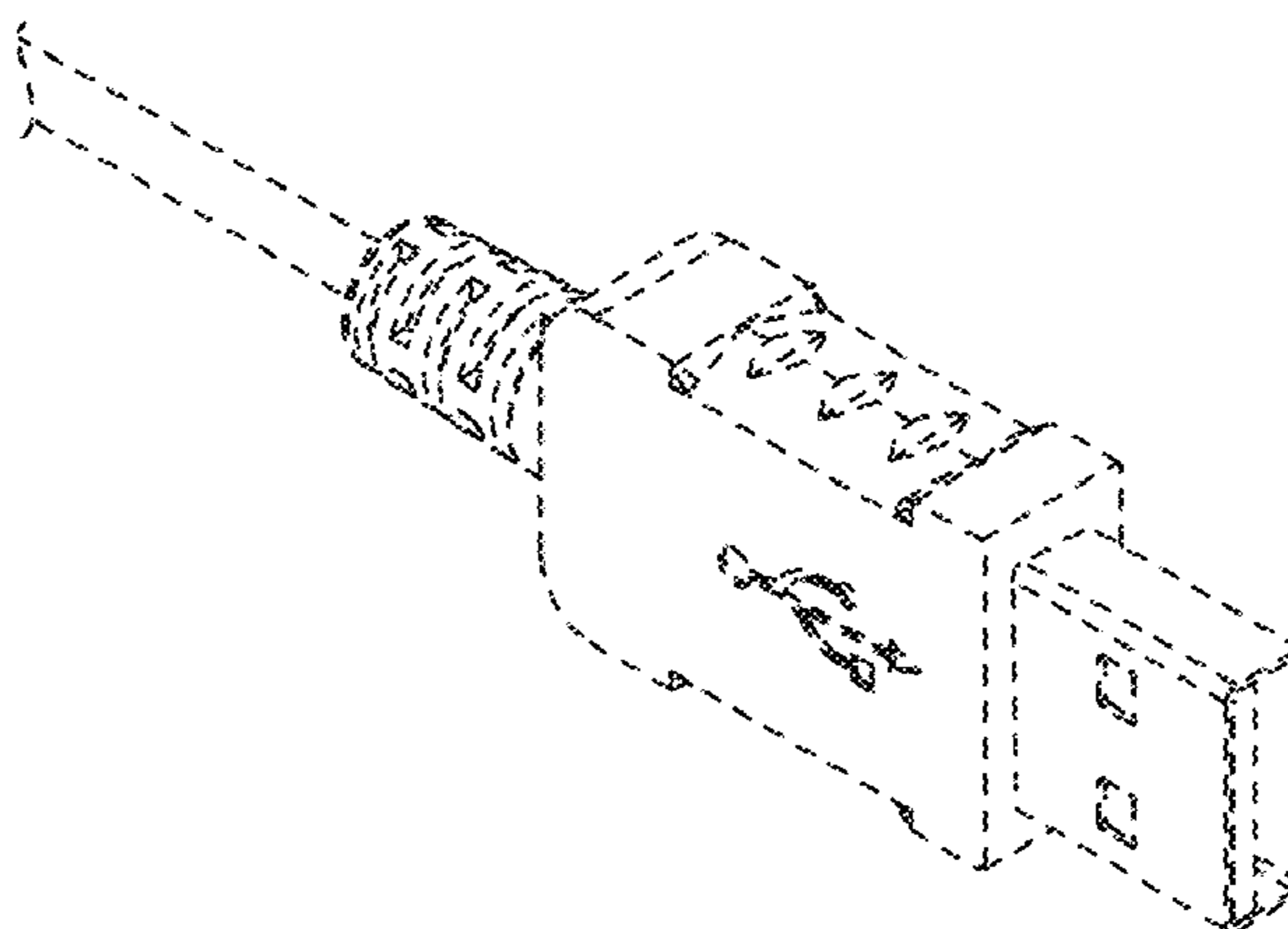
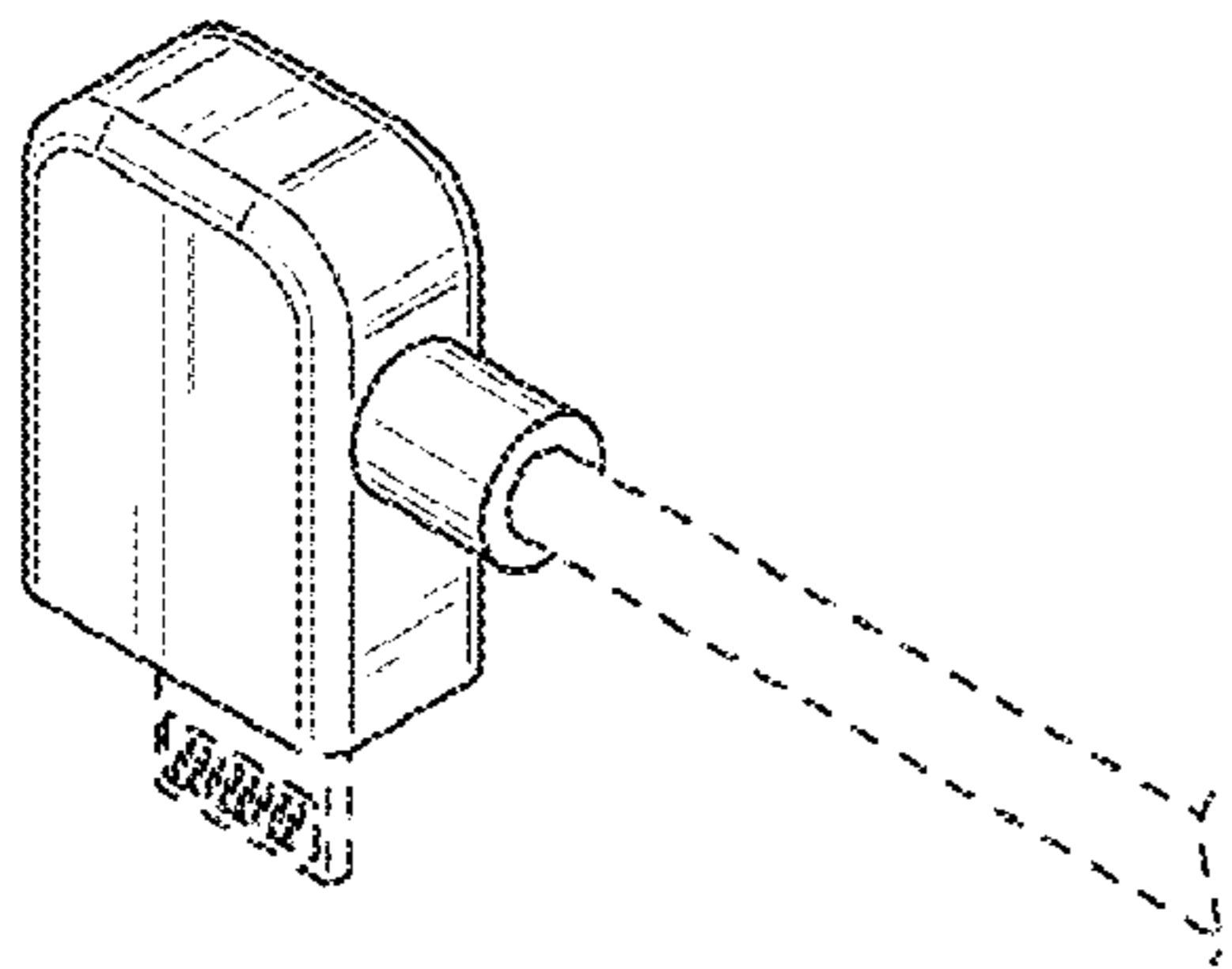
(57) **CLAIM**

The ornamental design for a connector, as shown and described.

DESCRIPTION

FIG. 1 is a front perspective view of a connector; FIG. 2 is a front view of the connector of FIG. 1; FIG. 3 is a rear view of the connector of FIG. 1; FIG. 4 is a left side of the connector of FIG. 1, FIG. 5 is a right side of the connector of FIG. 1, FIG. 6 is a top plan view of the connector of FIG. 1; and, FIG. 7 is a bottom plan view of the connector of FIG. 1. The broken lines in the drawings show unclaimed environment only and form no part of the claimed design.

1 Claim, 7 Drawing Sheets



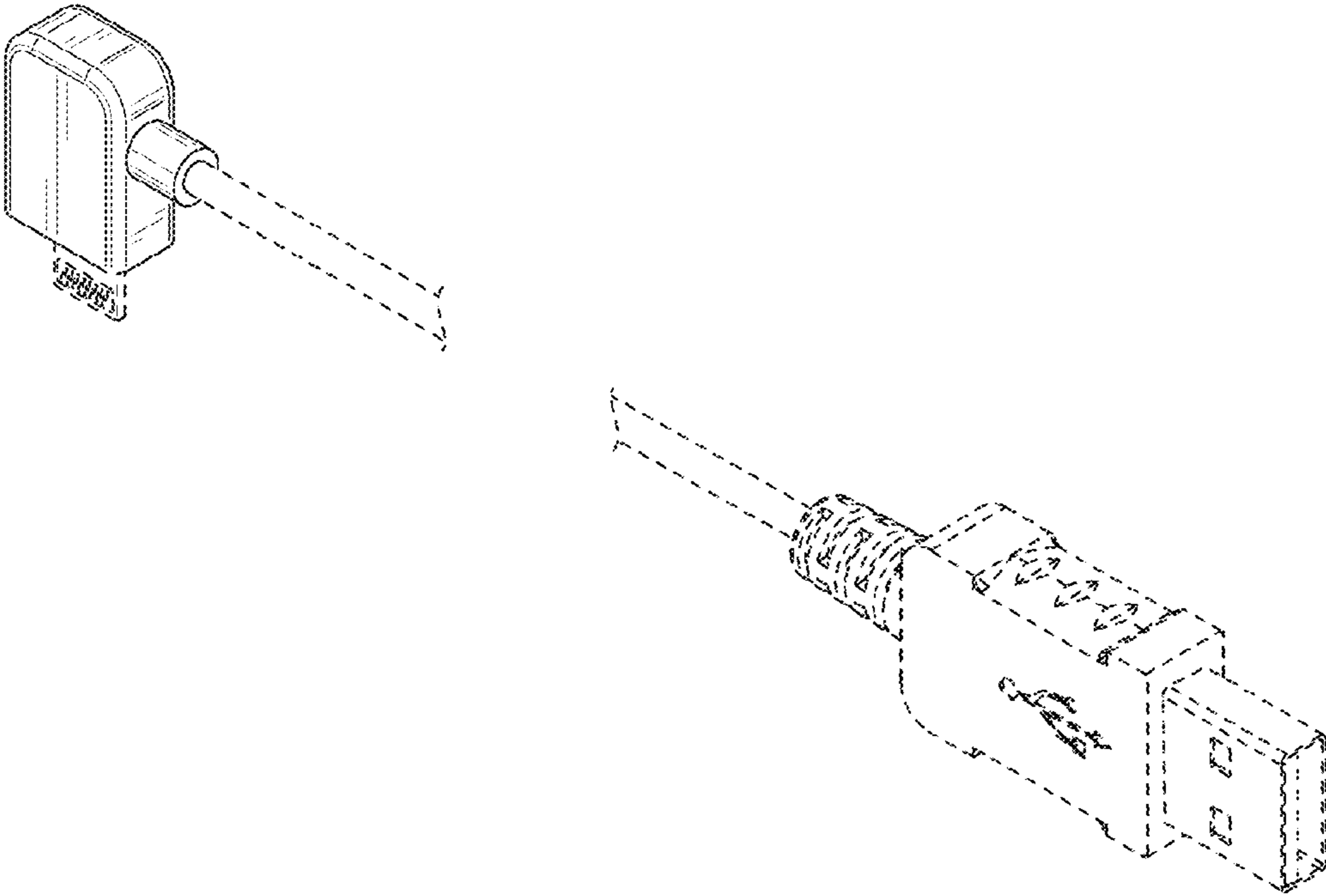


FIG. 1

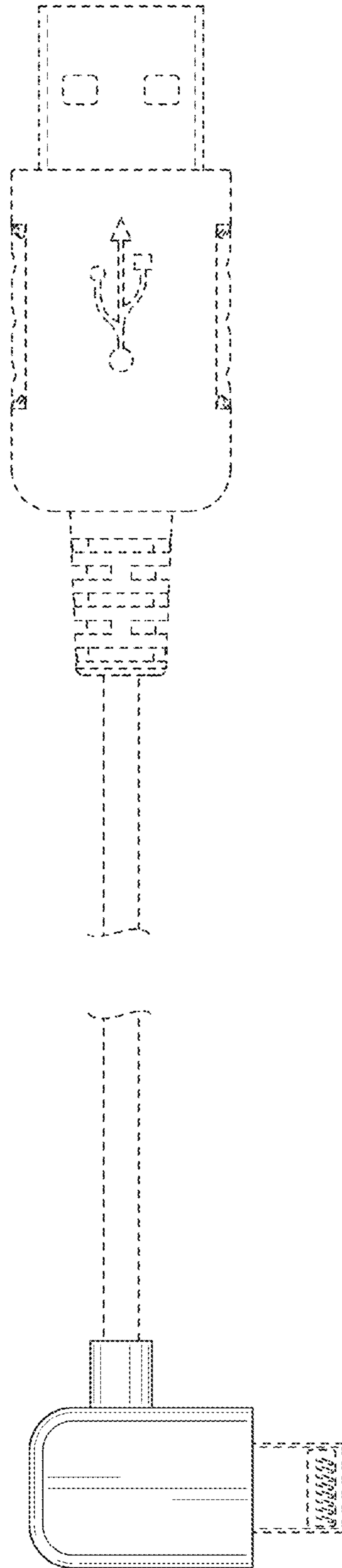


FIG. 2

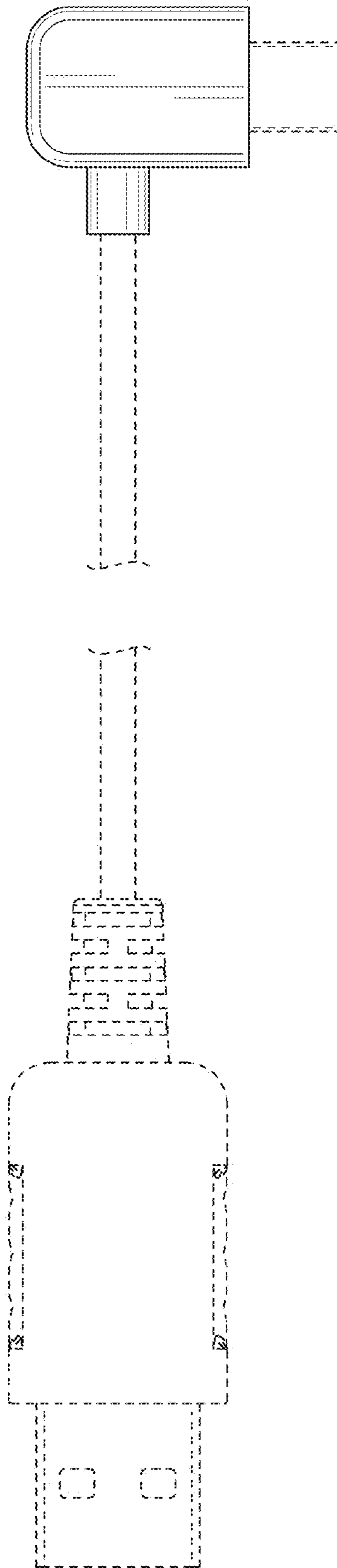


FIG. 3

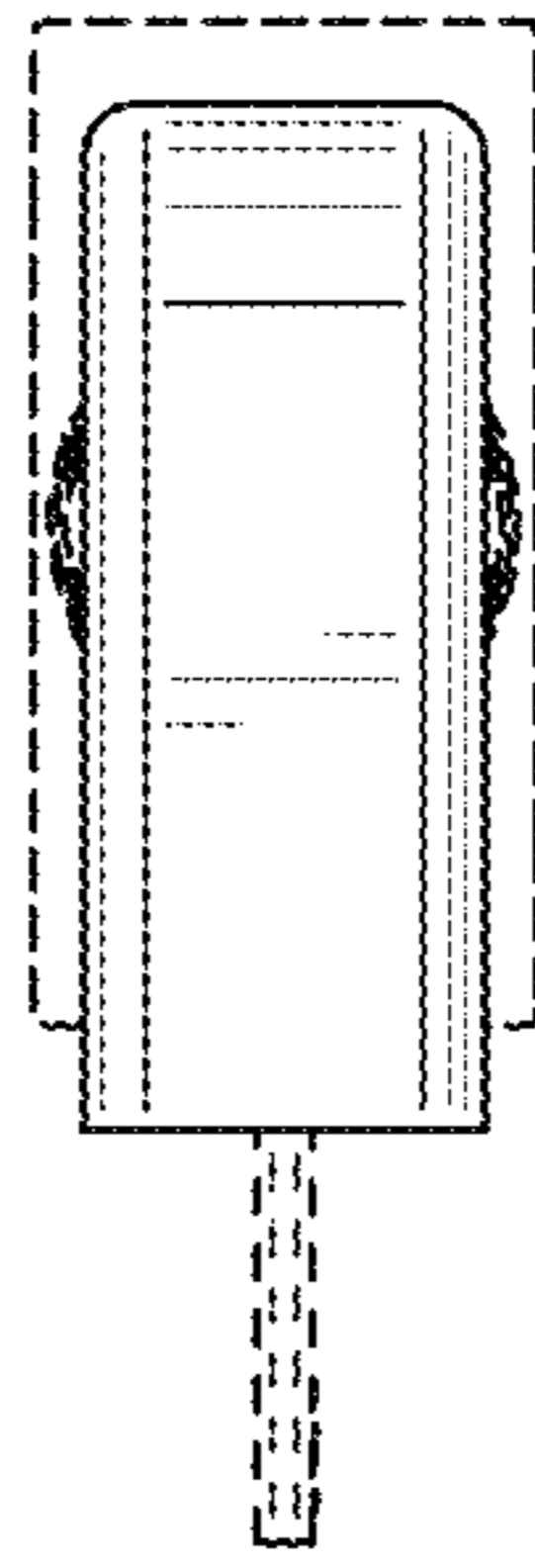


FIG. 4

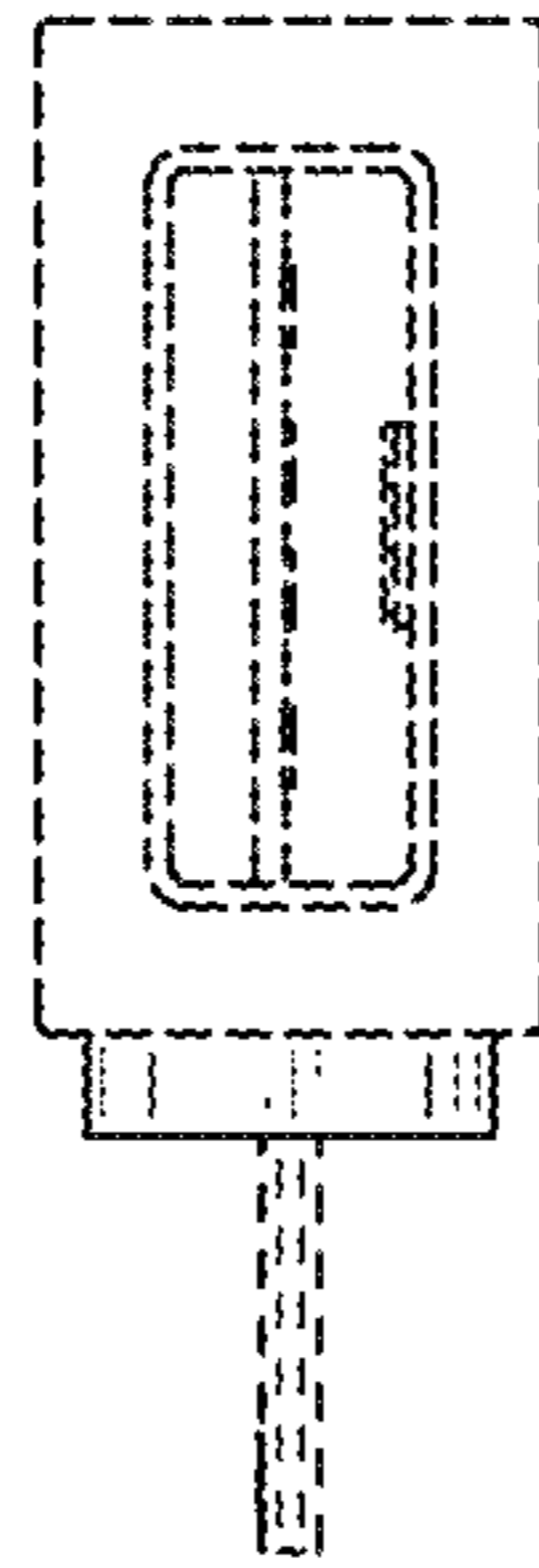


FIG. 5

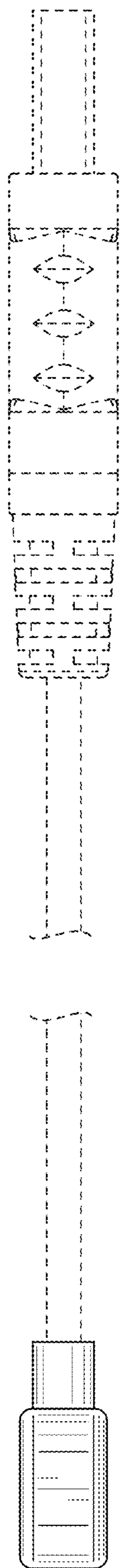


FIG. 6

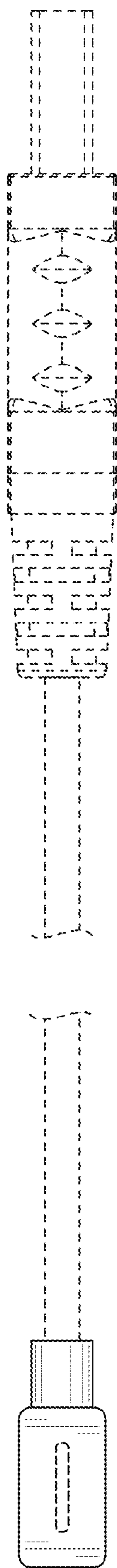


FIG. 7