



US00D726117S

(12) **United States Design Patent**
Valdez et al.

(10) **Patent No.:** **US D726,117 S**

(45) **Date of Patent:** **** Apr. 7, 2015**

(54) **QUICK CONNECTION CONNECTOR**

(71) Applicant: **PAC Seating Systems, Inc.**, Palm City, FL (US)

(72) Inventors: **Michael Valdez**, Palm City, FL (US);
Thomas Moniz, Palm City, FL (US);
Hector Noel Marini, Palm City, FL (US)

(73) Assignee: **PAC Seating Systems, Inc.**, Palm City, FL (US)

(**) Term: **14 Years**

(21) Appl. No.: **29/441,177**

(22) Filed: **Jan. 2, 2013**

(51) **LOC (10) Cl.** **13-03**

(52) **U.S. Cl.**
USPC **D13/147**

(58) **Field of Classification Search**
USPC D13/146, 147, 154, 184, 199
See application file for complete search history.

(56) **References Cited**

U.S. PATENT DOCUMENTS

D196,111 S * 8/1963 Krehblel D13/147
D210,533 S * 3/1968 Pauza D13/147

D366,242 S * 1/1996 Goto D13/147
D457,194 S * 5/2002 Goto D21/333
D494,933 S * 8/2004 Lu D13/133
D646,223 S * 10/2011 Gouhl et al. D13/146
D655,677 S * 3/2012 Gouhl et al. D13/146
D663,693 S * 7/2012 Smith D13/146

* cited by examiner

Primary Examiner — Daniel Bui

(74) *Attorney, Agent, or Firm* — Troutman Sanders LLP

(57) **CLAIM**

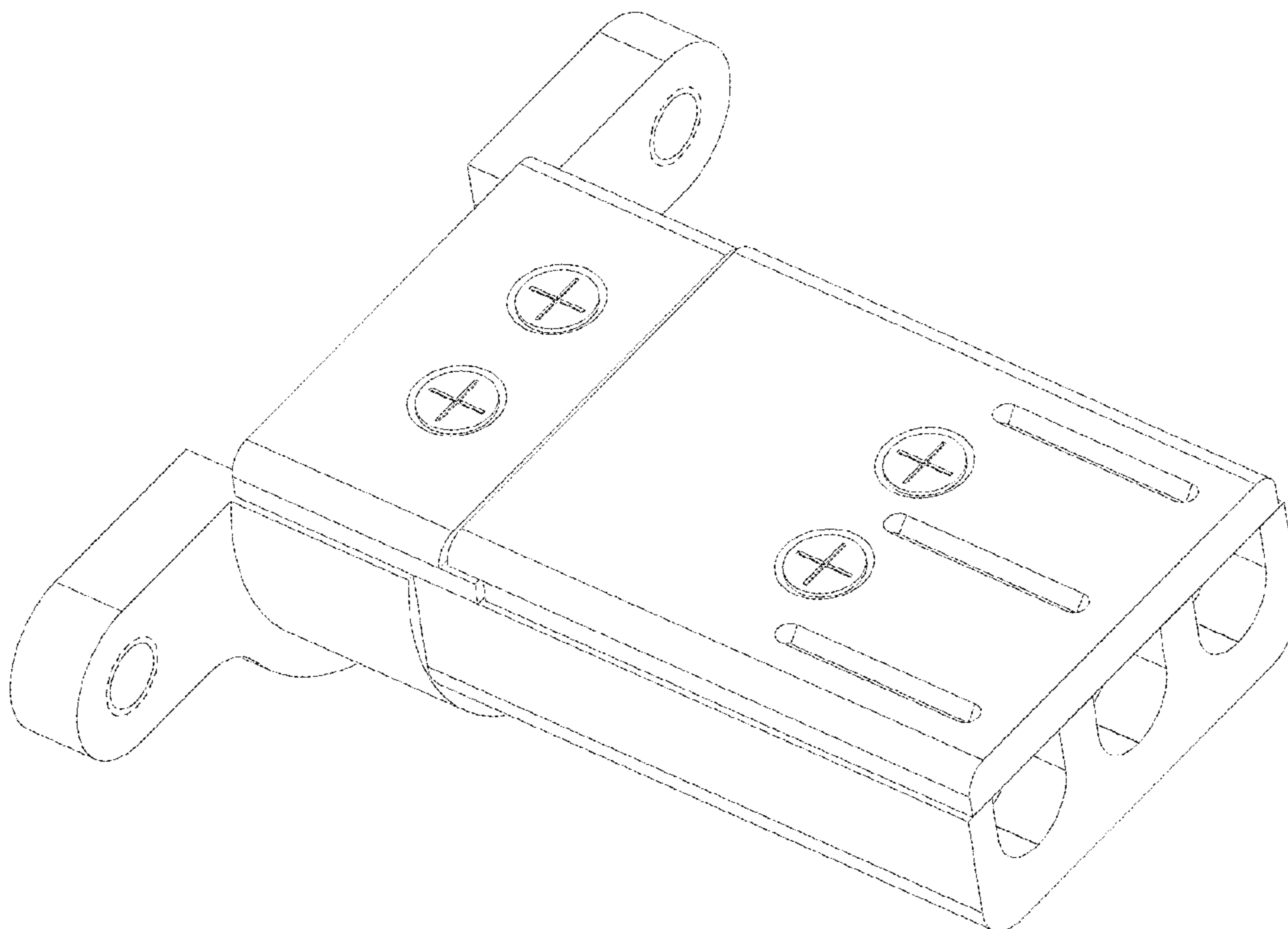
The ornamental design for a quick connection connector, substantially shown and described herein.

DESCRIPTION

FIG. 1 is a front, top and left side perspective view of a quick connection connector showing our new design;
FIG. 2 is a top plan view thereof;
FIG. 3 is a left side elevation view thereof;
FIG. 4 is a back side elevation view thereof;
FIG. 5 is a right side elevation view thereof;
FIG. 6 is a front elevation view thereof; and,
FIG. 7 is a bottom plan view thereof.

The broken line in the drawing views is included to illustrate the environment only and forms no part of the claimed design.

1 Claim, 6 Drawing Sheets



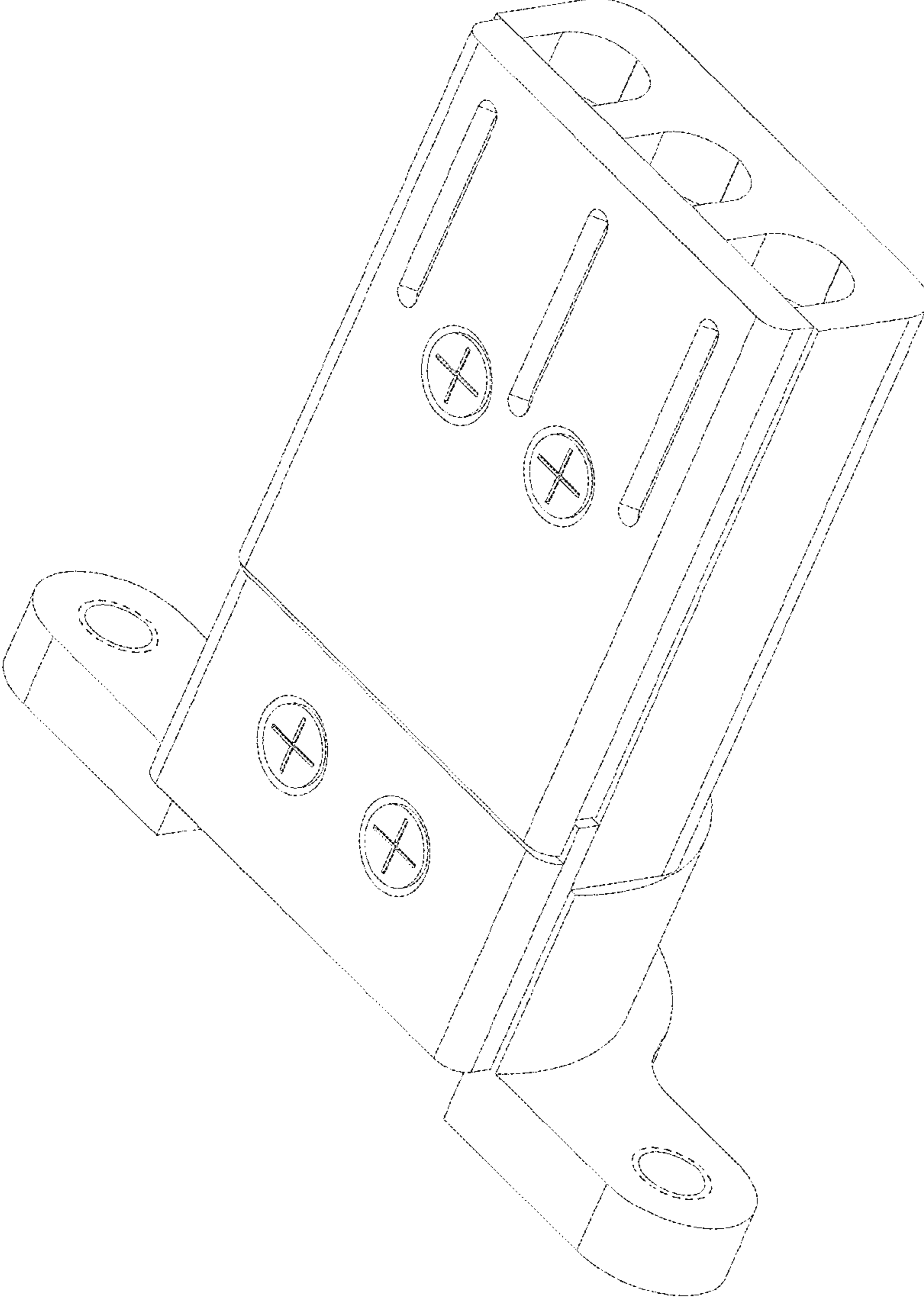


Figure 1

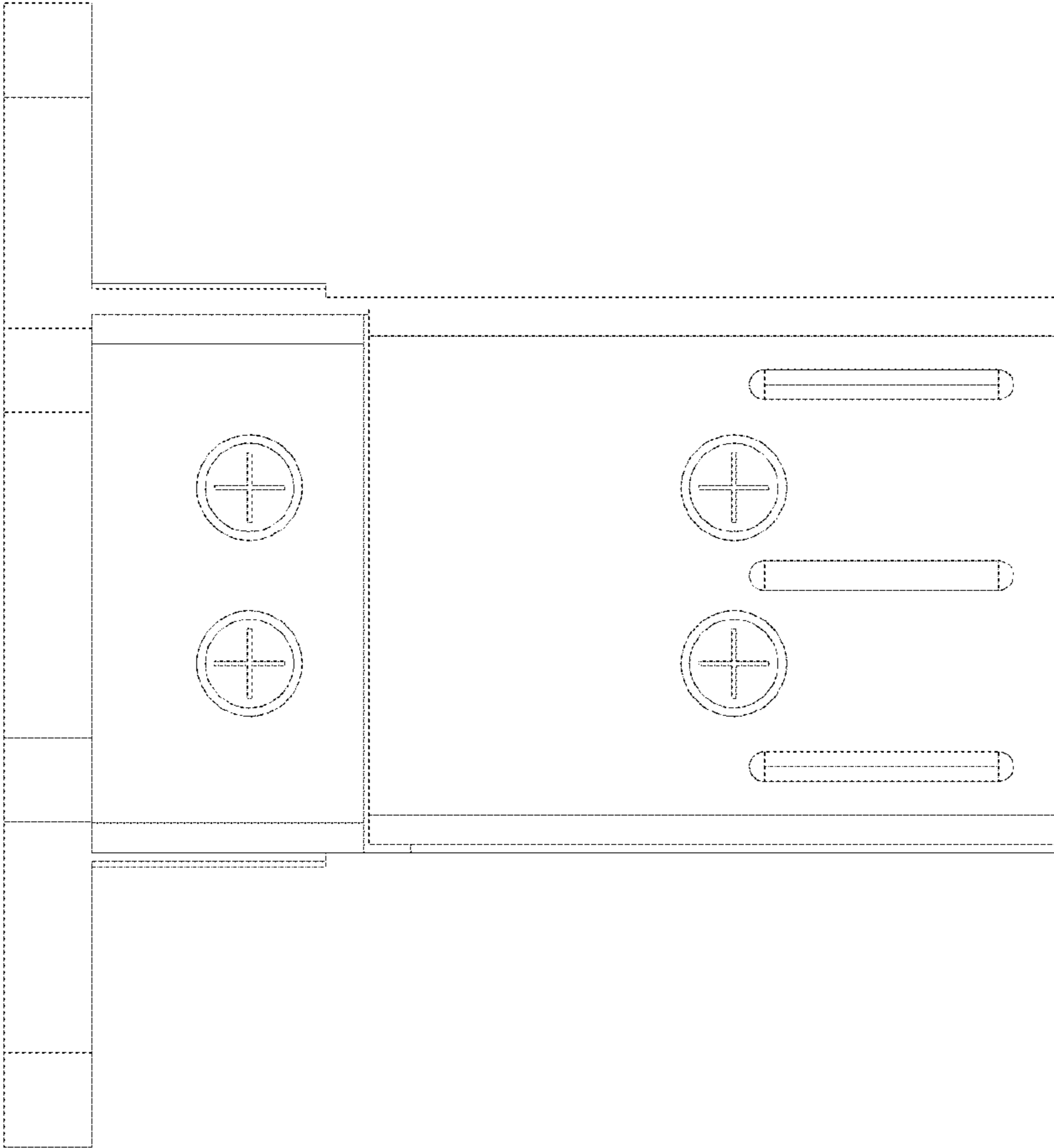


Figure 2

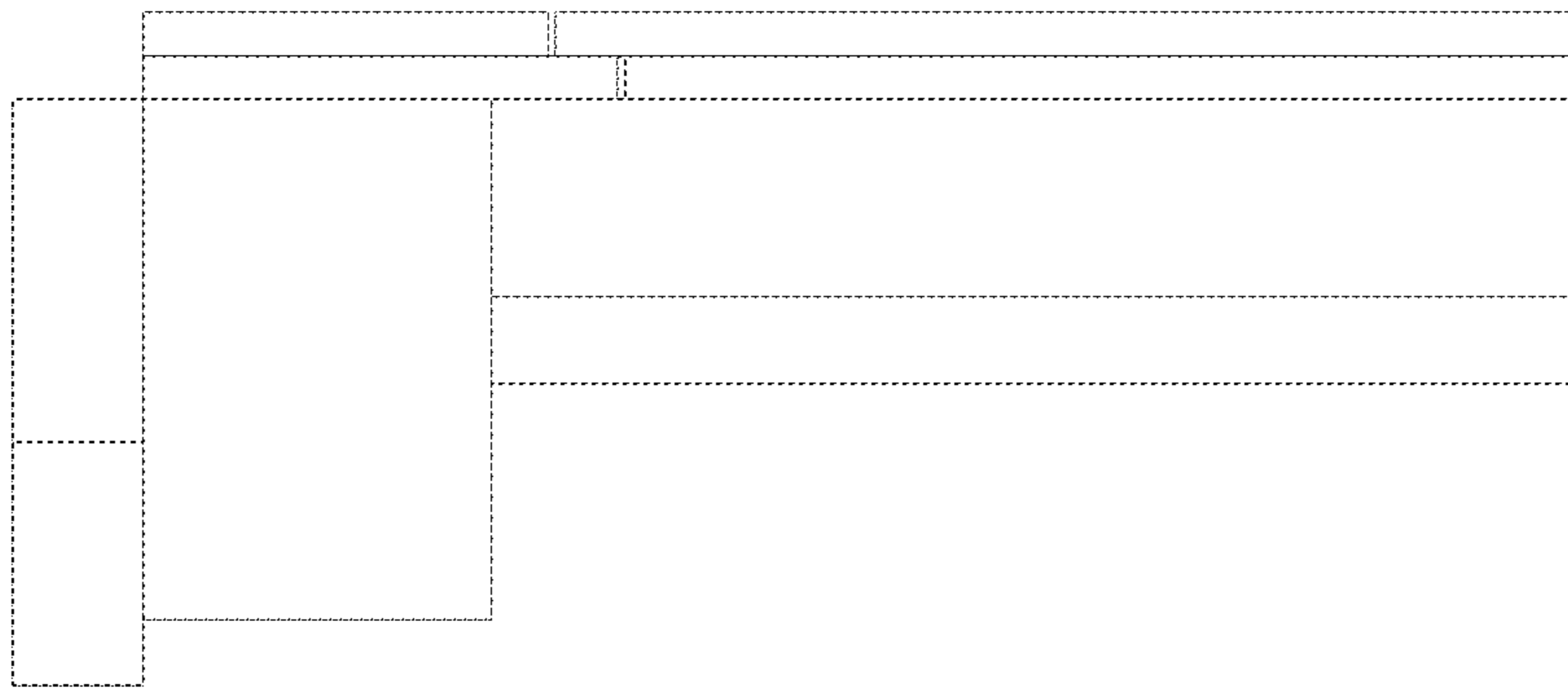


Figure 3

Figure 4

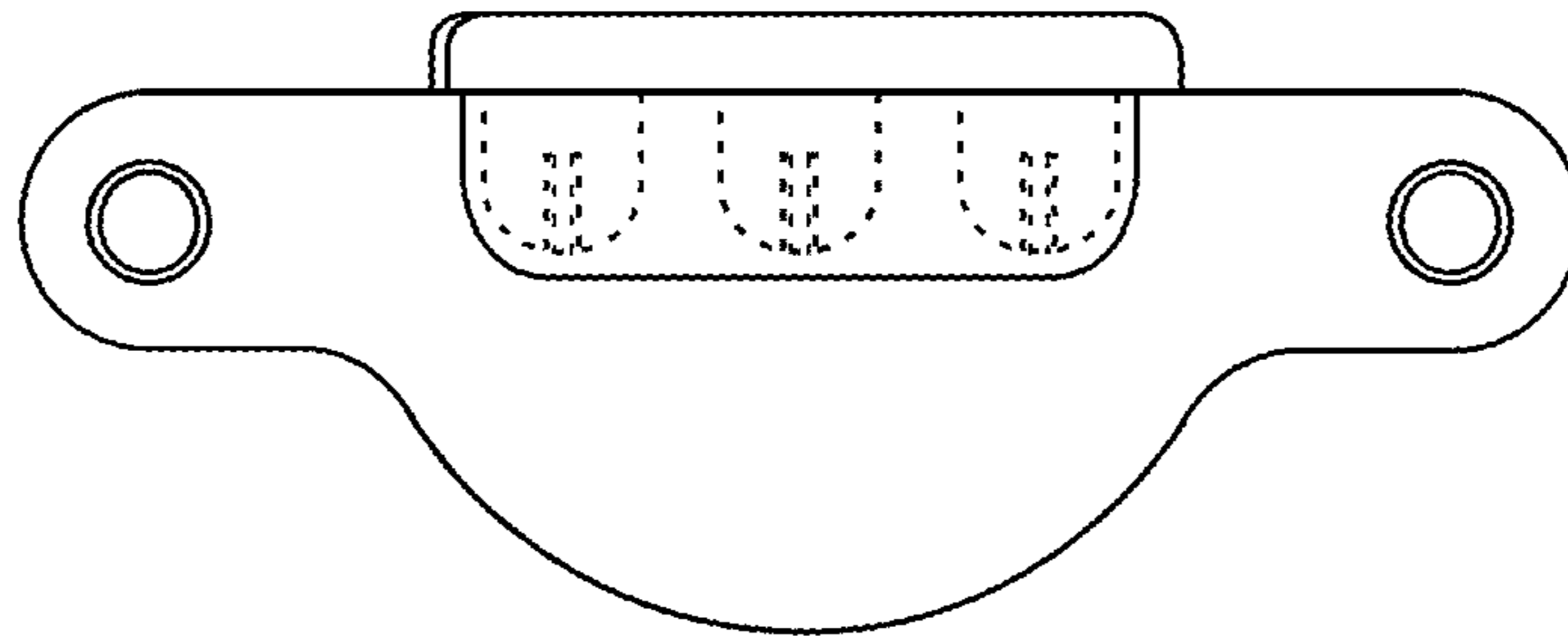
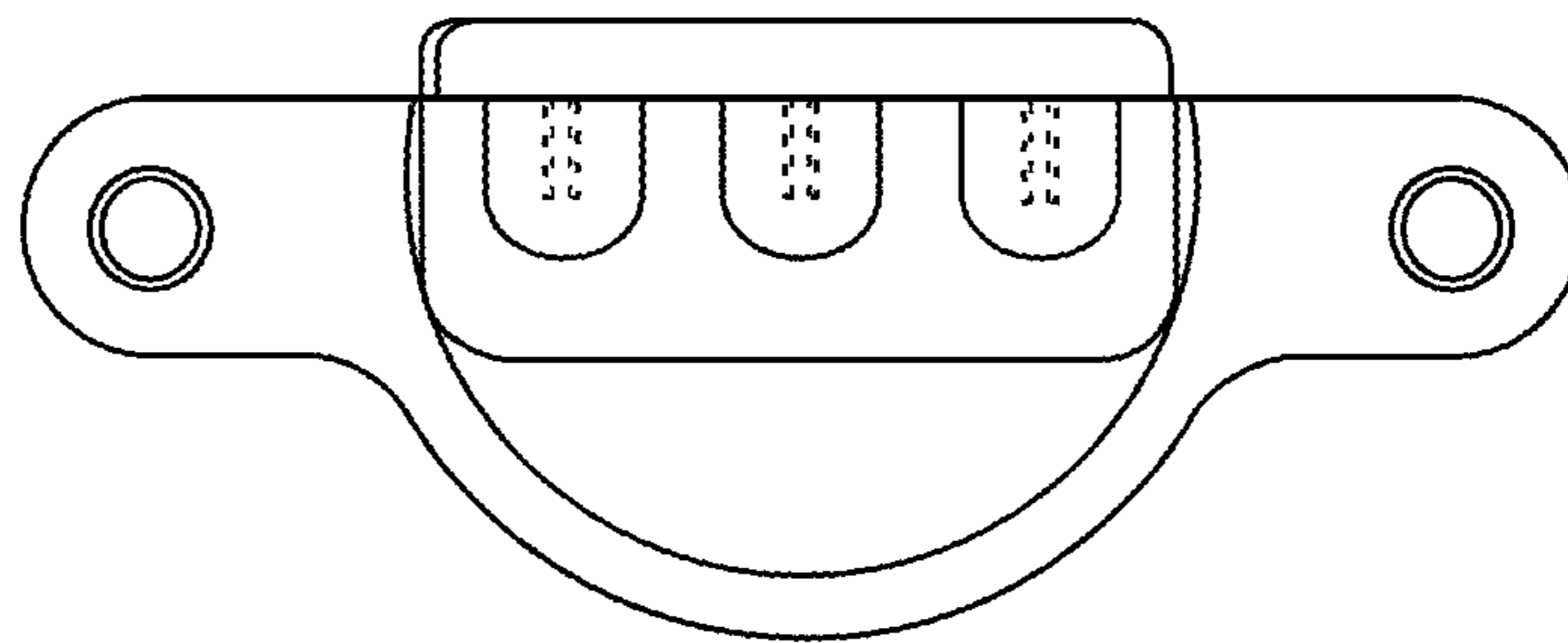


Figure 6



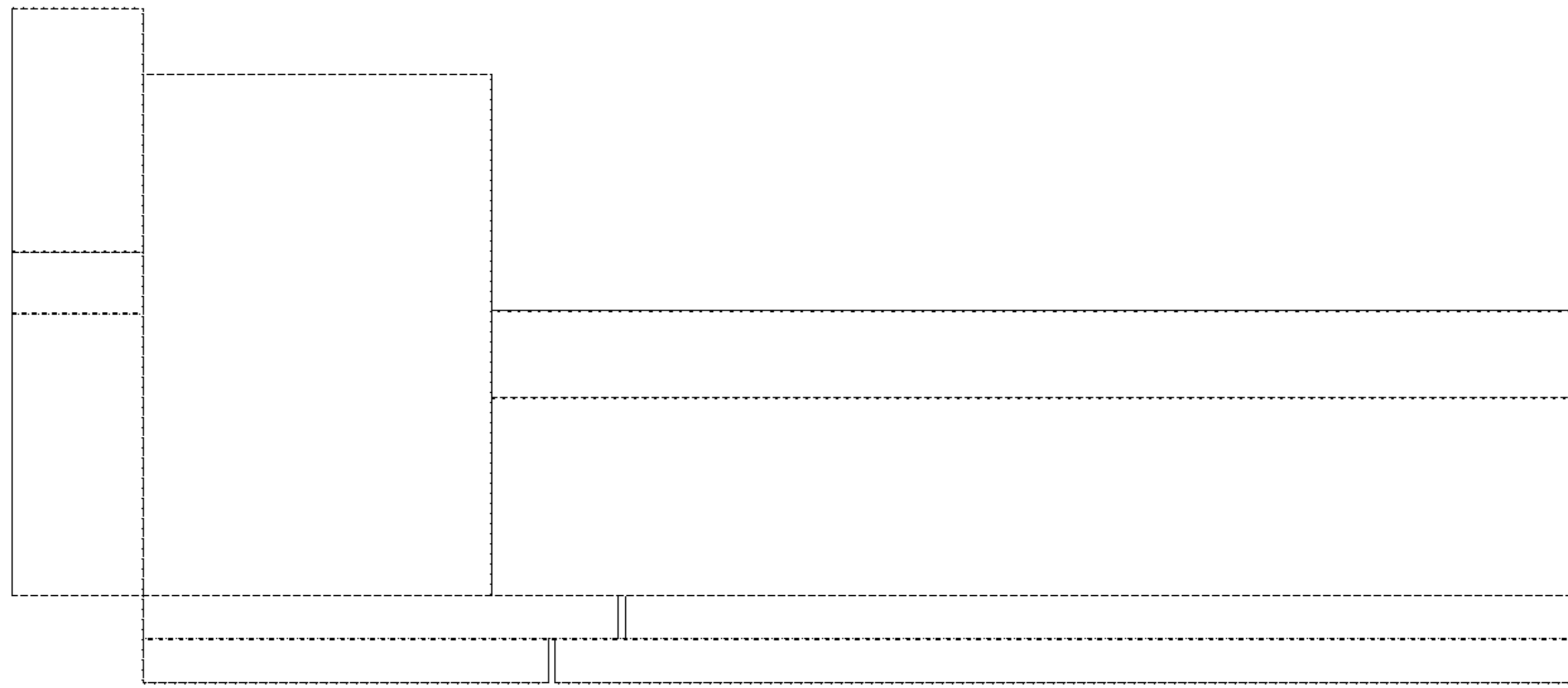


Figure 5

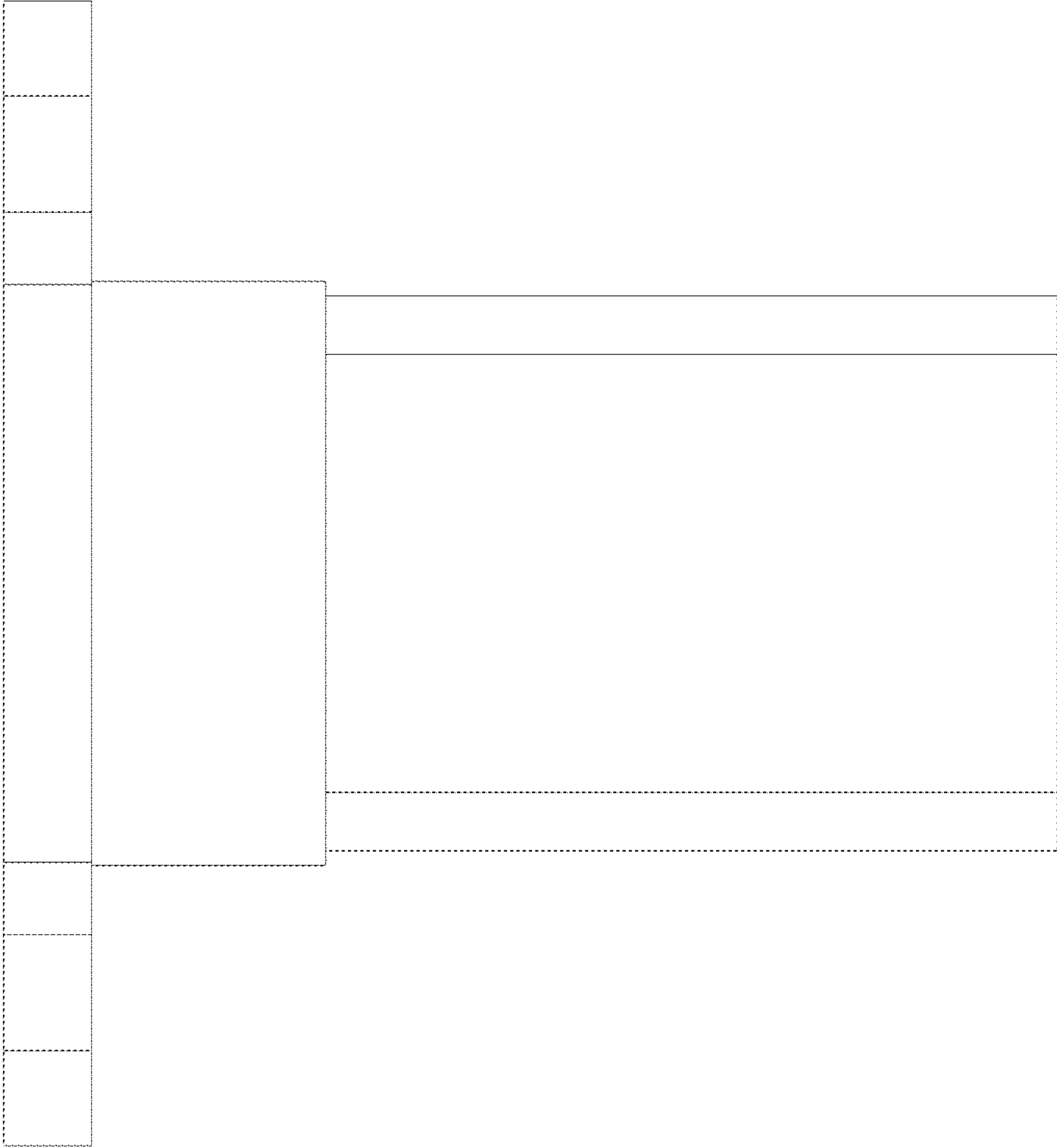


Figure 7