



US00D726116S

(12) **United States Design Patent**  
**Corona et al.**

(10) **Patent No.:** **US D726,116 S**

(45) **Date of Patent:** **\*\* Apr. 7, 2015**

(54) **ELECTRICAL PLUG HOUSING**  
(71) Applicant: **IP Holdings, LLC**, Vancouver, WA (US)  
(72) Inventors: **Sergio Corona**, Upland, CA (US);  
**Michael Sinclair**, Vancouver, WA (US)  
(73) Assignee: **IP Holdings, LLC**, Vancouver, WA (US)  
(\*\*) Term: **14 Years**

6,379,169 B1 \* 4/2002 Corona ..... 439/271  
6,383,003 B1 \* 5/2002 Corona ..... 439/278  
D544,840 S 6/2007 Hargreaves et al.  
D545,764 S 7/2007 Allison  
D570,295 S 6/2008 Hargreaves et al.  
7,390,210 B2 6/2008 Corona  
7,431,602 B2 10/2008 Corona  
7,785,123 B2 8/2010 Corona  
7,791,864 B2 9/2010 Matyas et al.  
D678,200 S \* 3/2013 Corona ..... D13/133

\* cited by examiner

(21) Appl. No.: **29/446,133**

*Primary Examiner* — Daniel Bui

(22) Filed: **Feb. 20, 2013**

(74) *Attorney, Agent, or Firm* — J. Douglas Wells

(51) **LOC (10) Cl.** ..... **13-03**

(52) **U.S. Cl.**  
USPC ..... **D13/146**

(57) **CLAIM**

The design for an ornamental for an electrical plug housing, as shown and described.

(58) **Field of Classification Search**  
USPC ..... D13/146, 147, 154, 184, 199; 439/92,  
439/101, 106, 108, 151, 152, 246, 247, 266,  
439/278, 374, 476.1, 527, 606, 655, 660,  
439/682, 685, 892  
See application file for complete search history.

**DESCRIPTION**

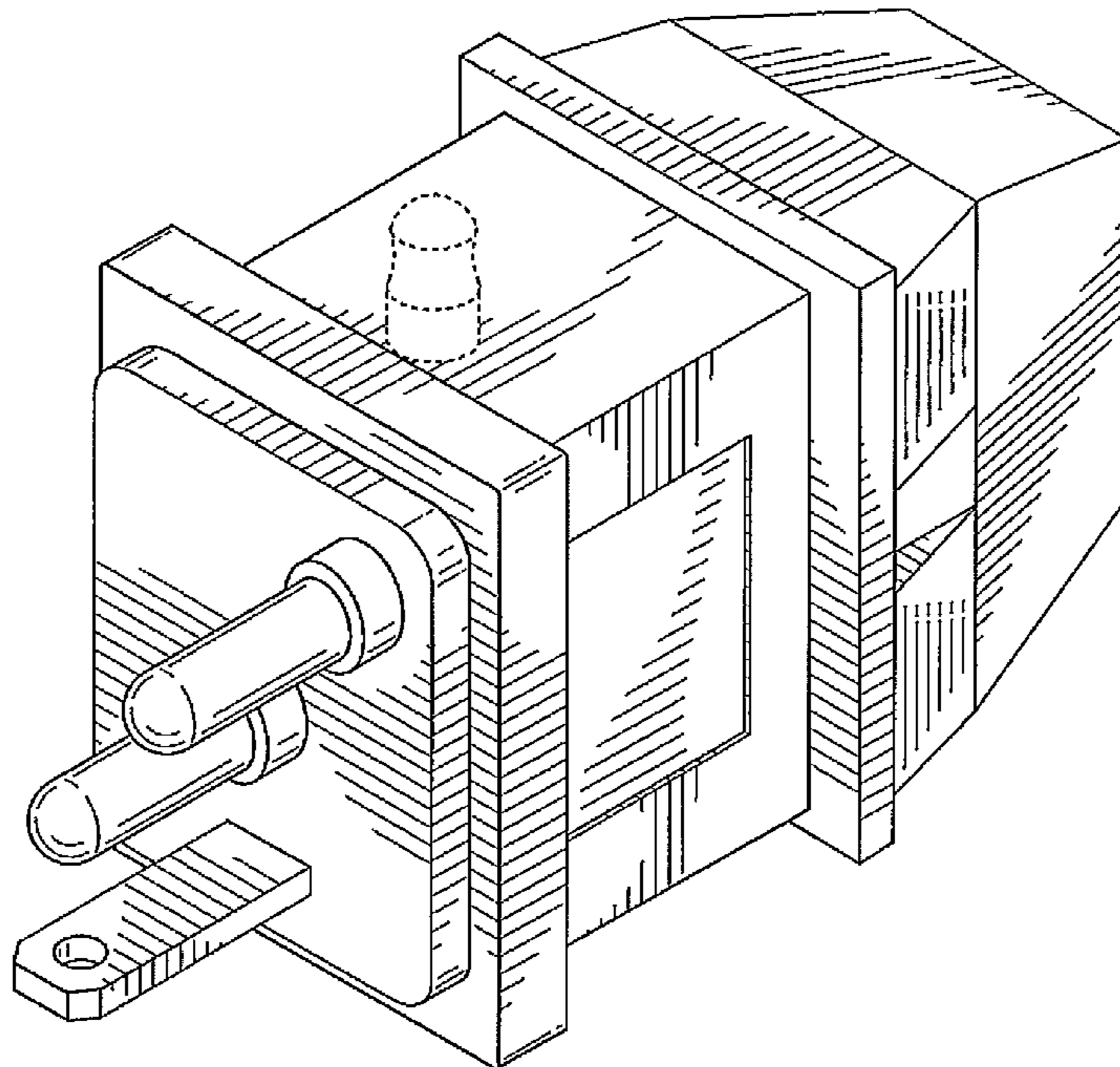
FIG. 1 is a front, top and right side perspective view of an electrical plug housing showing our new design;  
FIG. 2 is a right side elevation view thereof;  
FIG. 3 is a left side elevation view thereof;  
FIG. 4 is a top plan view thereof;  
FIG. 5 is a bottom plan view thereof;  
FIG. 6 is a back elevation view thereof; and,  
FIG. 7 is a front elevation view thereof.  
The broken line in the drawing view represent unclaimed environment and forms no parts of the claimed design.

(56) **References Cited**

U.S. PATENT DOCUMENTS

D286,397 S \* 10/1986 Challans ..... D13/133  
D437,828 S 2/2001 Corona  
D439,221 S 3/2001 Corona  
D445,763 S 7/2001 Corona  
D446,186 S \* 8/2001 Corona ..... D13/133

**1 Claim, 7 Drawing Sheets**



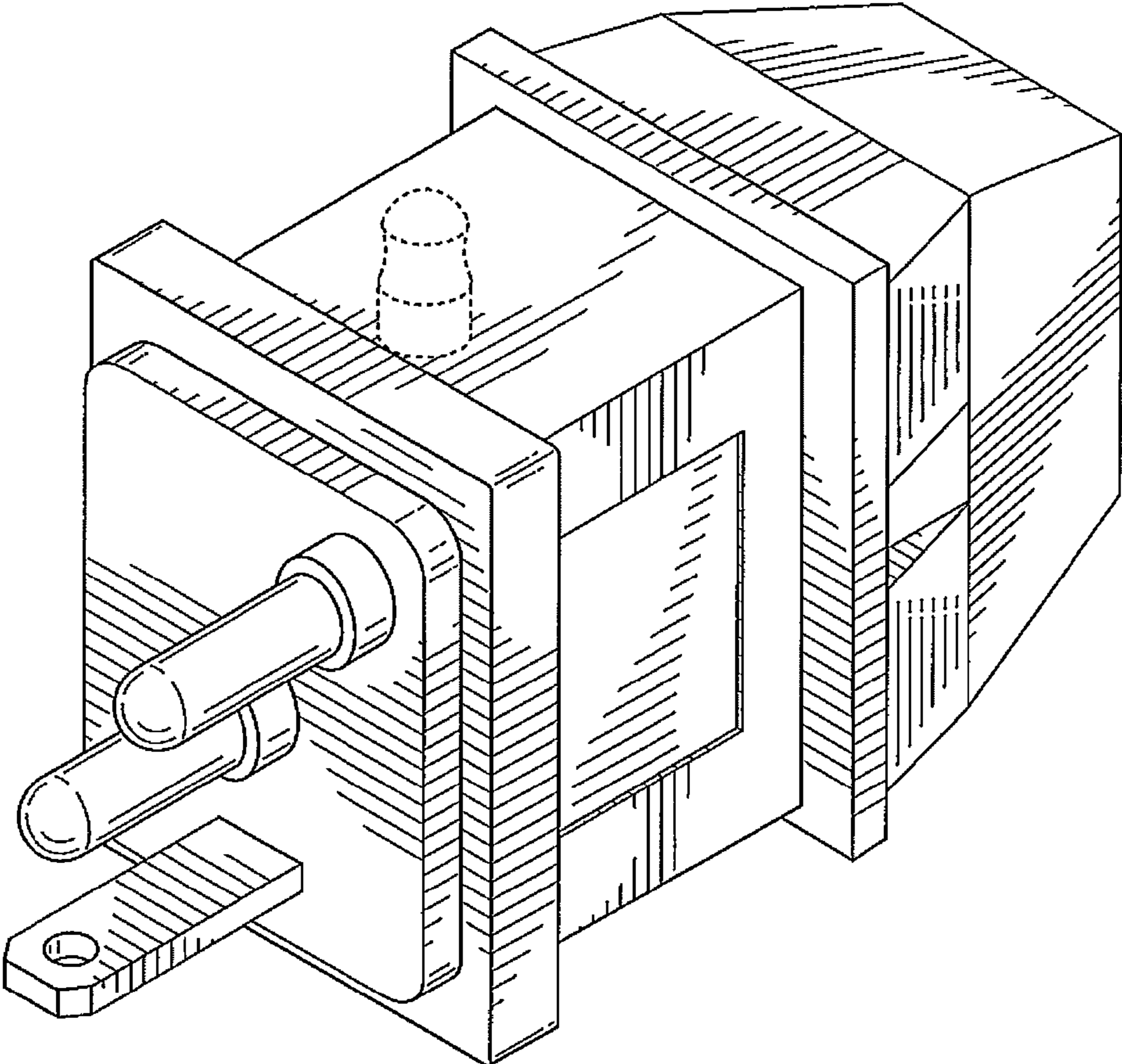


FIG. 1

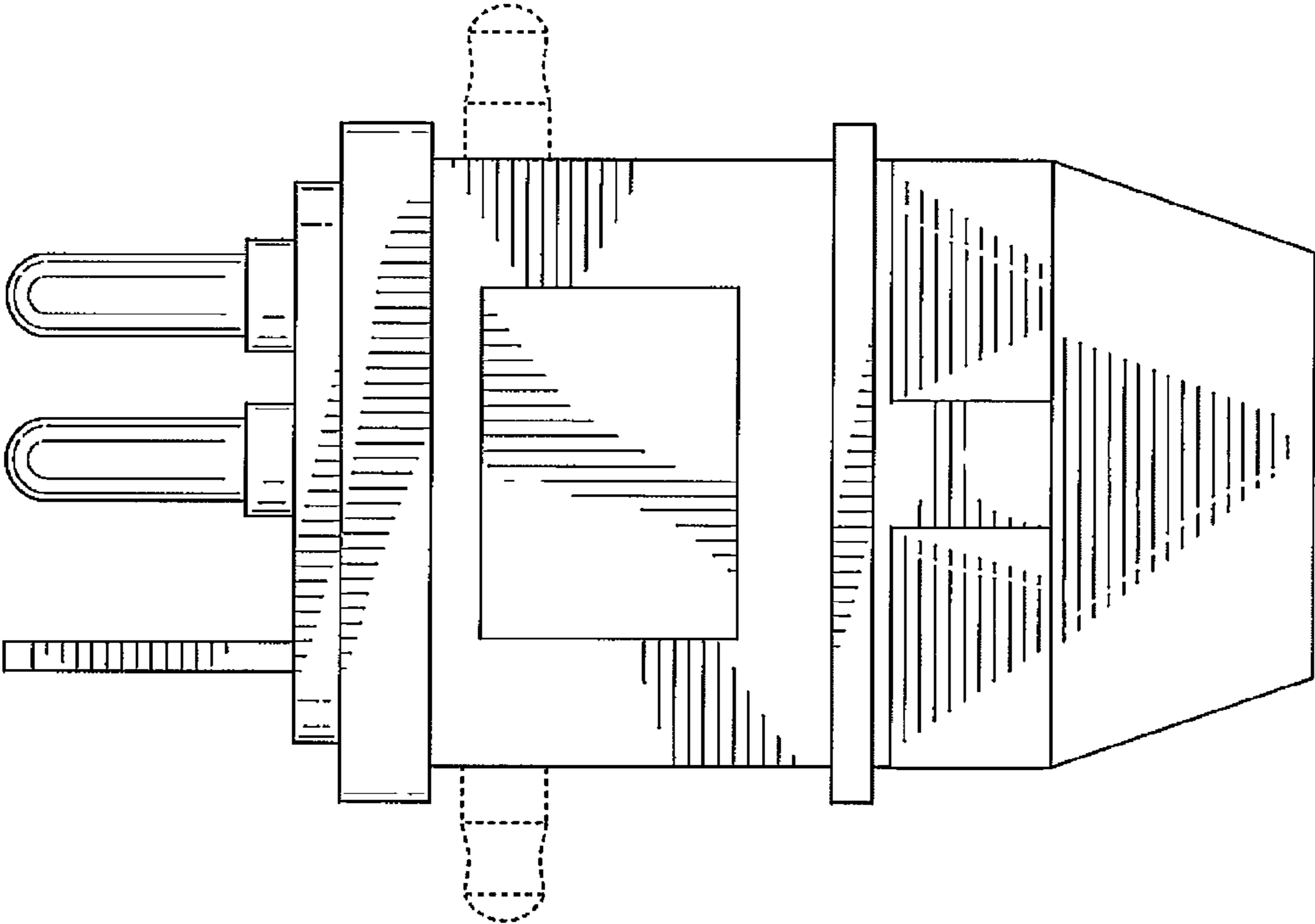


FIG. 2

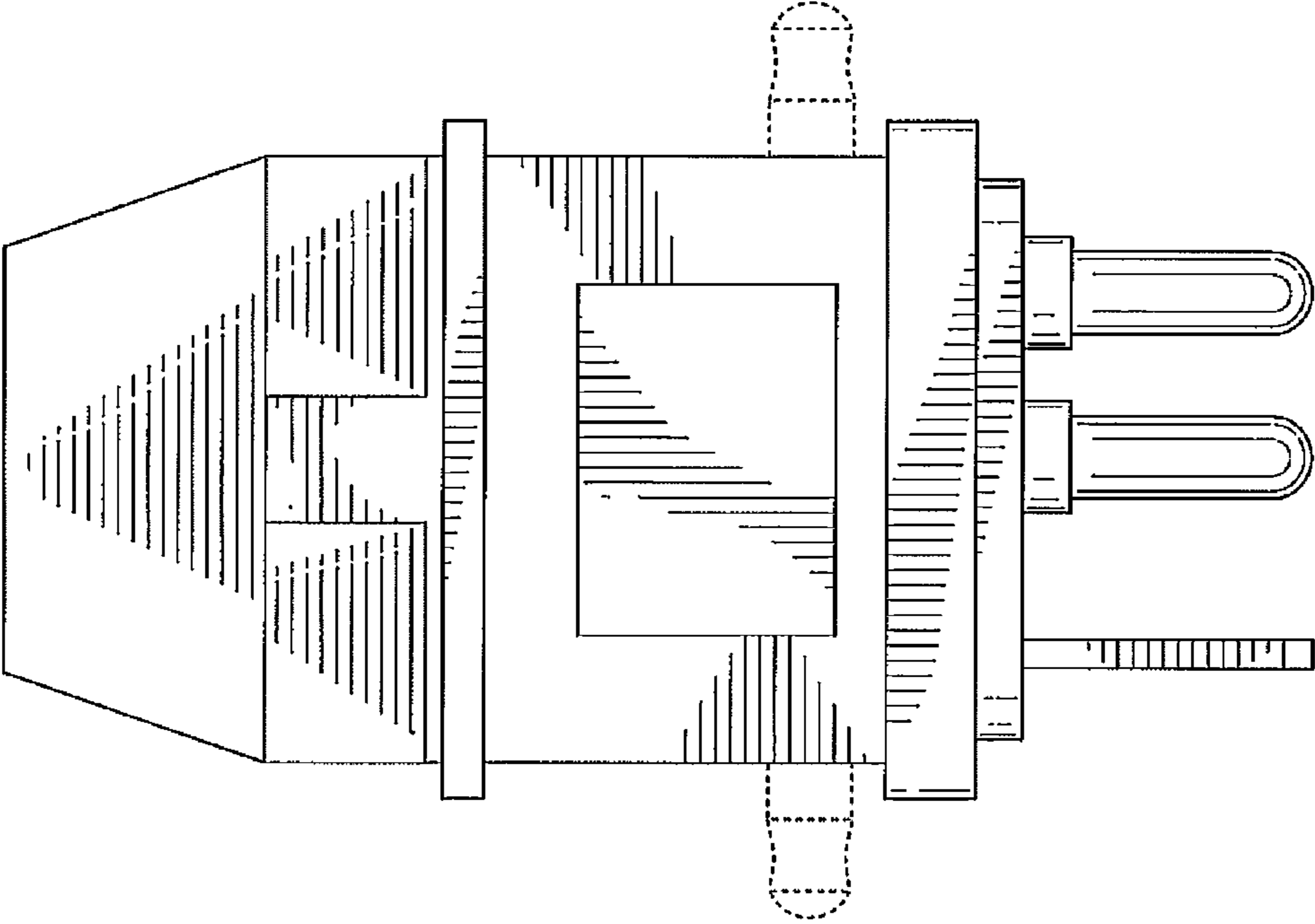


FIG. 3

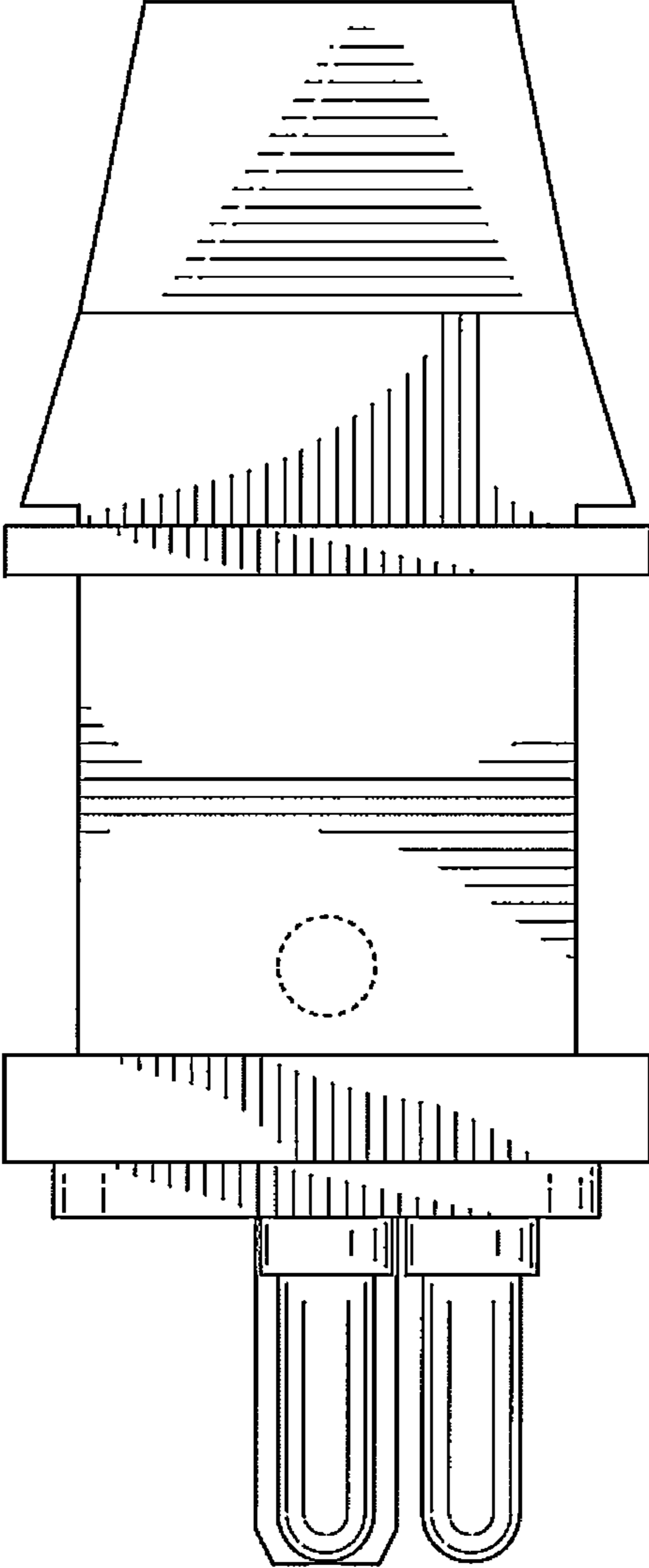


FIG. 4

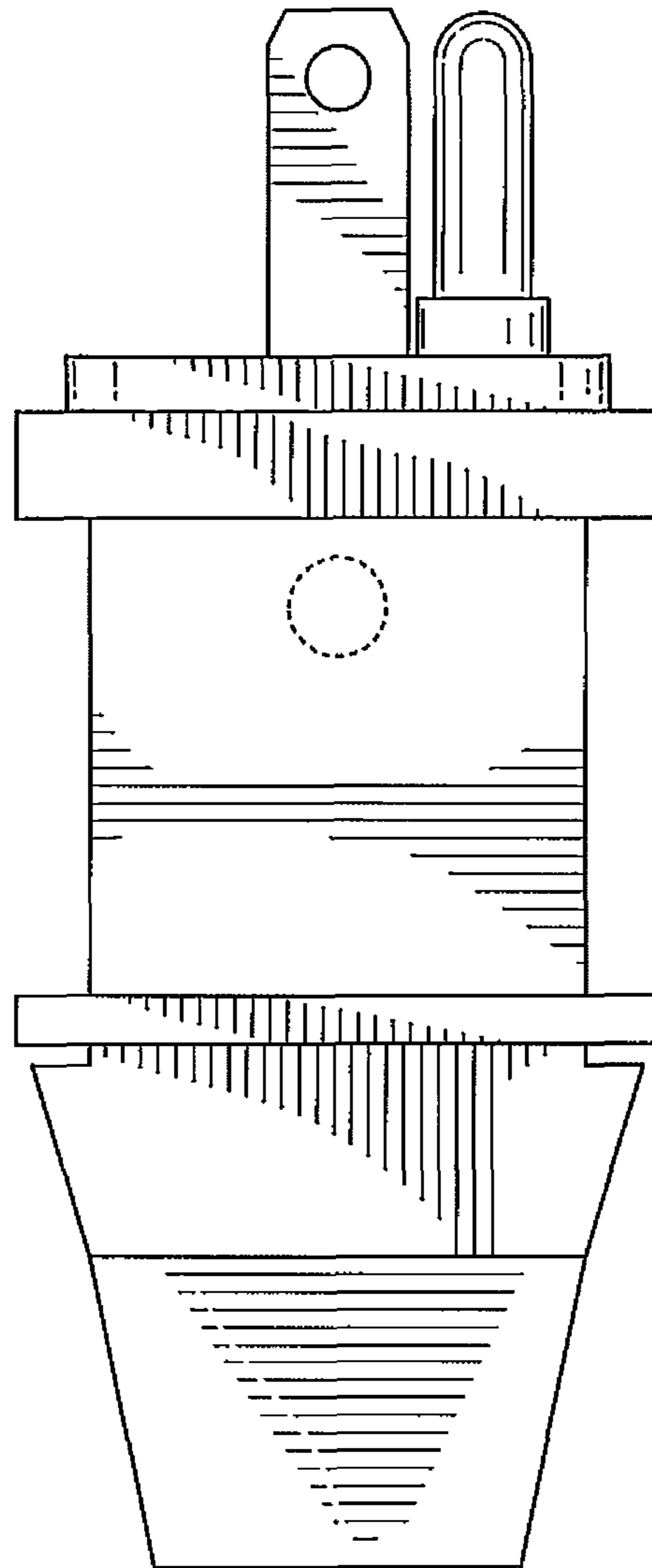


FIG. 5

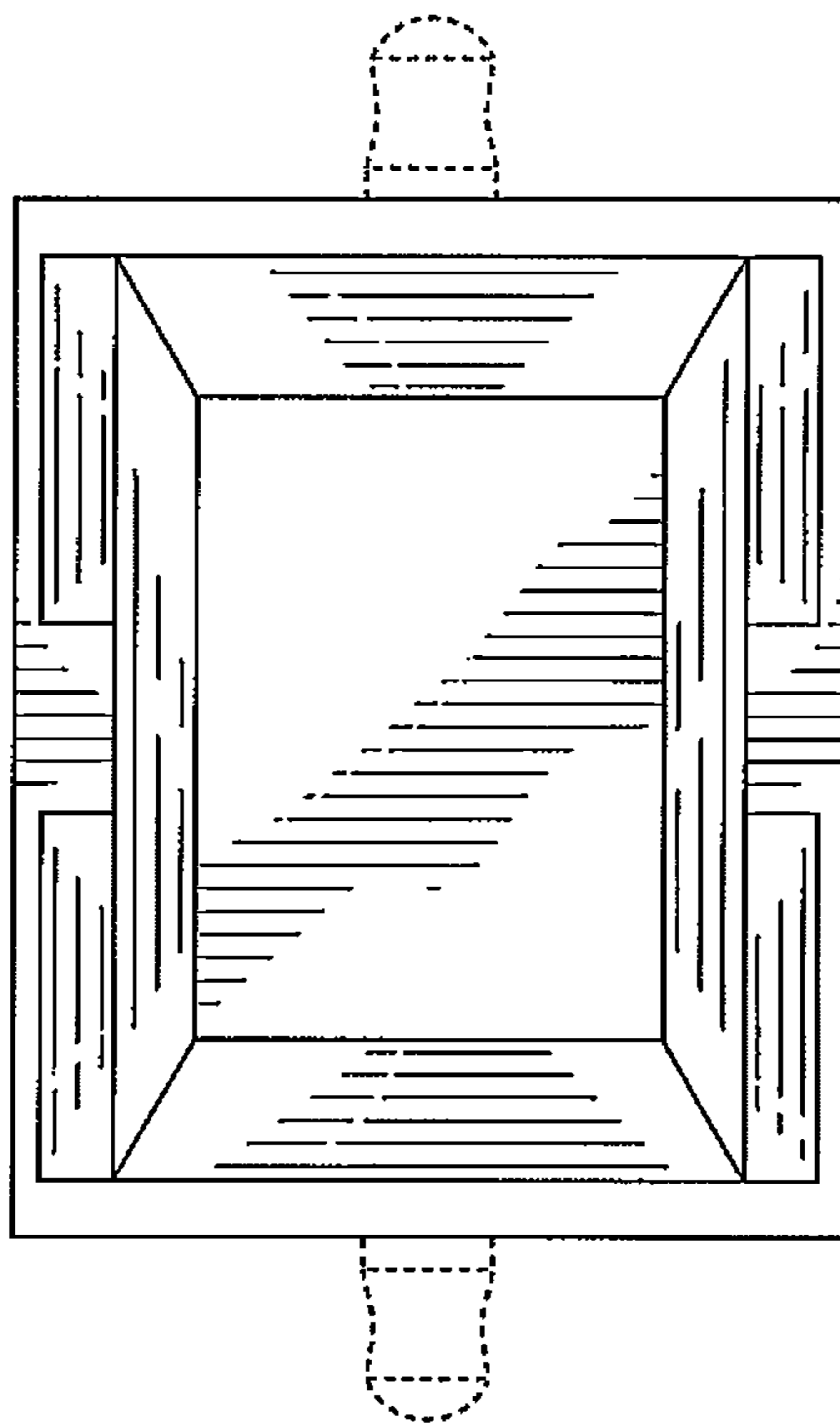


FIG. 6

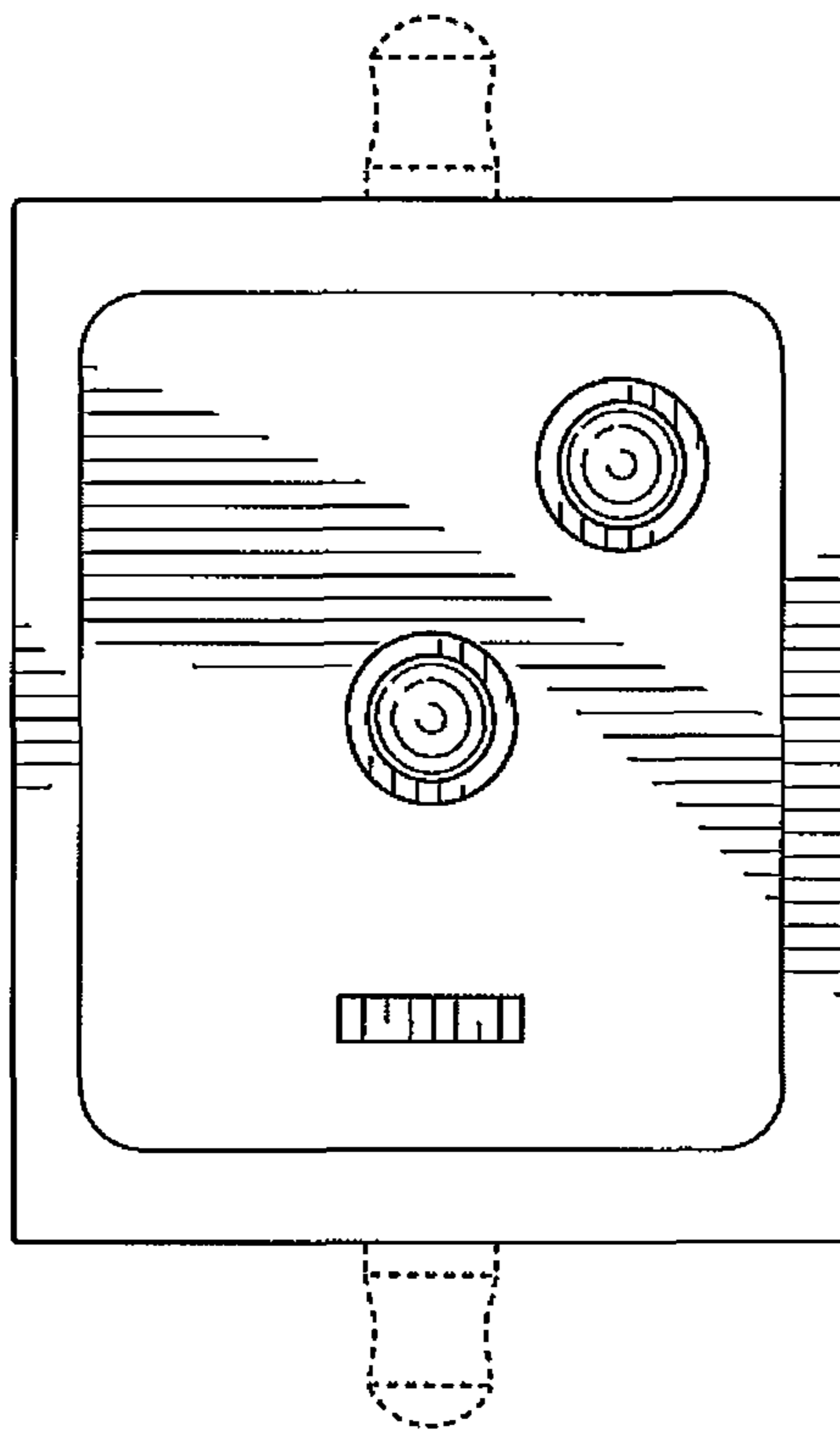


FIG. 7