



US00D726115S

(12) **United States Design Patent**
Fukano et al.

(10) **Patent No.:** **US D726,115 S**
(45) **Date of Patent:** **** Apr. 7, 2015**

(54) **SOCKET FOR LIGHT EMITTING DIODE LAMPS**

(71) Applicant: **Panasonic Corporation**, Osaka (JP)

(72) Inventors: **Satoshi Fukano**, Nara (JP); **Noboru Miyakawa**, Gunma (JP)

(73) Assignee: **Panasonic Intellectual Property Management Co., Ltd.**, Osaka (JP)

(**) Term: **14 Years**

(21) Appl. No.: **29/462,445**

(22) Filed: **Aug. 5, 2013**

(30) **Foreign Application Priority Data**

Feb. 13, 2013 (JP) 2013-002721

(51) **LOC (10) Cl.** **13-03**

(52) **U.S. Cl.**
USPC **D13/134**

(58) **Field of Classification Search**

CPC F21Y 2103/02
USPC 313/318.01, 318.12; 362/382, 430, 555,
362/581, 651; 439/131, 226, 236, 256, 300,
439/336, 534, 602, 604, 605; D13/133,
D13/134, 135, 136, 151, 154, 158, 162, 165,
D13/180, 184, 199; D26/106, 113, 2, 24,
D26/26, 3, 60, 61

See application file for complete search history.

(56) **References Cited**

U.S. PATENT DOCUMENTS

D602,868 S * 10/2009 Vogt et al. D13/134
D602,869 S * 10/2009 Vogt et al. D13/134
D623,593 S * 9/2010 Osada et al. D13/134
D627,296 S 11/2010 Vogt et al.
7,988,336 B1 * 8/2011 Harbers et al. 362/294
D651,173 S 12/2011 Osada et al.
8,292,482 B2 * 10/2012 Harbers et al. 362/547
8,500,299 B2 * 8/2013 Speidel et al. 362/235
2006/0285349 A1 * 12/2006 Helbig et al. 362/549
2011/0063849 A1 * 3/2011 Alexander et al. 362/294
2012/0195062 A1 * 8/2012 Kosemura et al. 362/581

FOREIGN PATENT DOCUMENTS

JP D1437189 4/2012

* cited by examiner

Primary Examiner — Derrick Holland

Assistant Examiner — Jennifer O King

(74) *Attorney, Agent, or Firm* — Panasonic Patent Center

(57) **CLAIM**

We claim the ornamental design for a socket for light emitting diode lamps, as shown and described.

DESCRIPTION

FIG. 1 is a front perspective view of a socket for light emitting diode lamps of the present invention;
FIG. 2 is a front view thereof;
FIG. 3 is a rear view thereof;
FIG. 4 is a first side view thereof;
FIG. 5 is a second side view thereof;
FIG. 6 is a top view thereof; and,
FIG. 7 is a bottom view thereof.

The broken lines shown represent unclaimed subject matter and form no part of the claimed design.

1 Claim, 7 Drawing Sheets

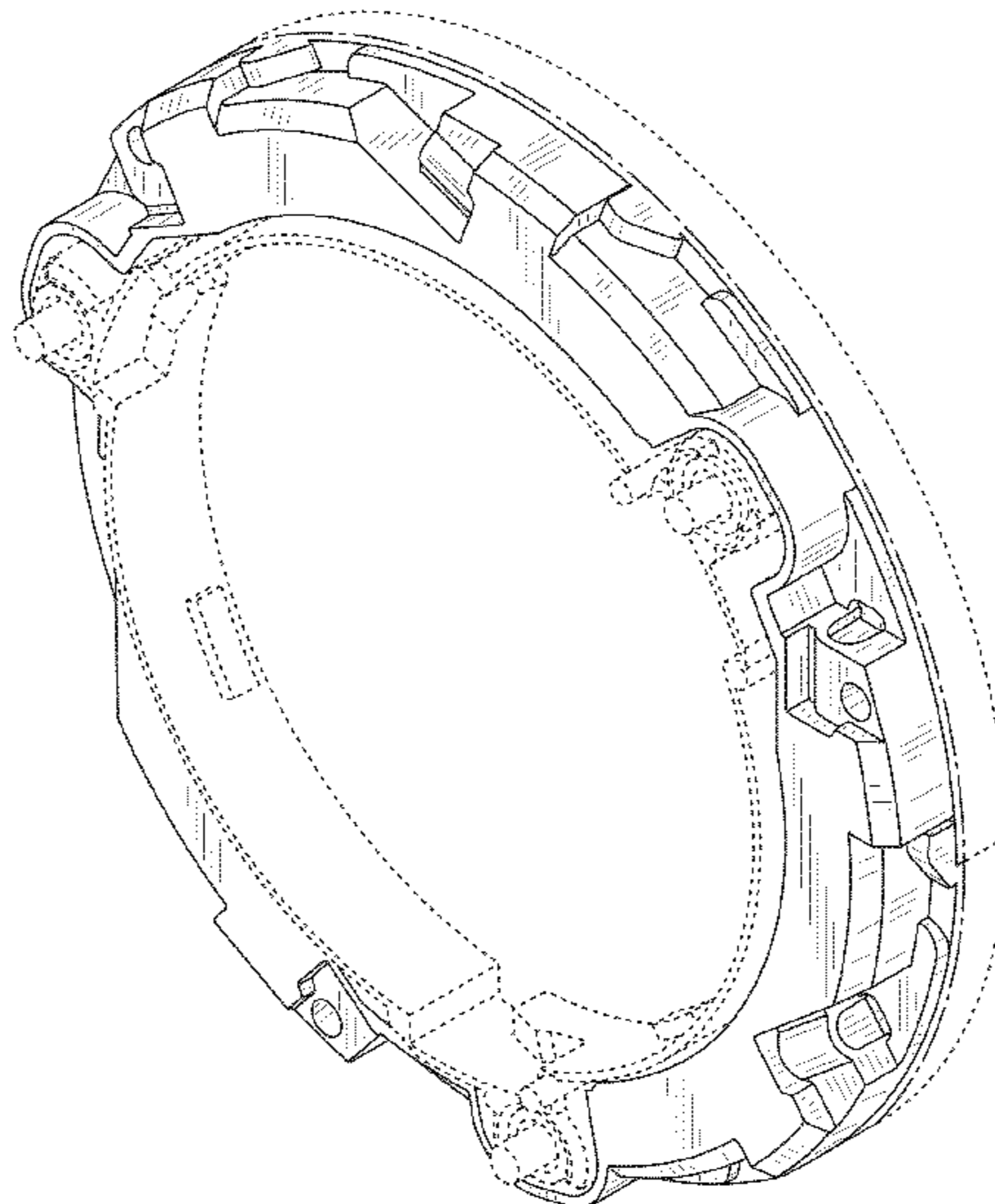


FIG. 1

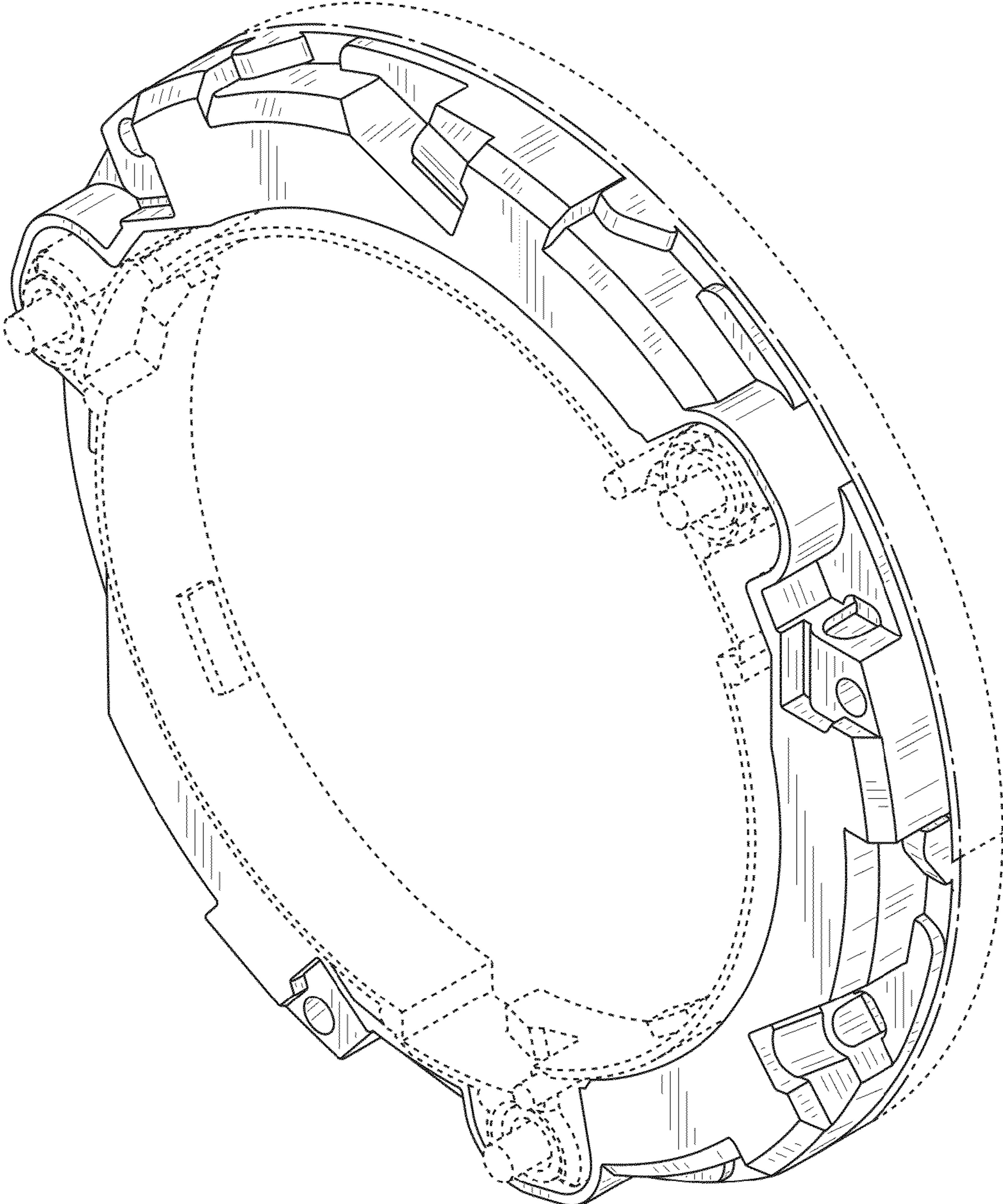


FIG. 2

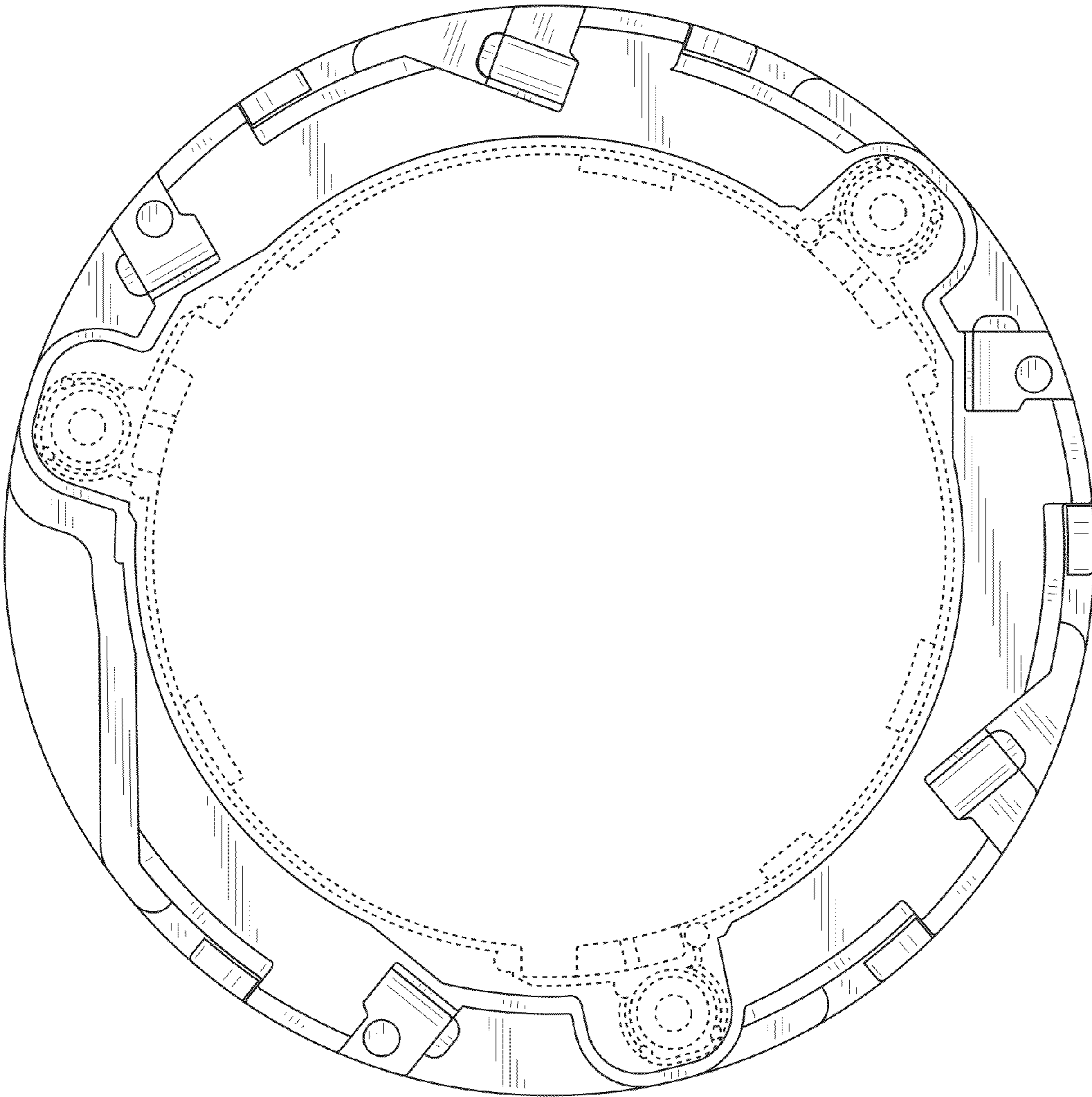


FIG. 3

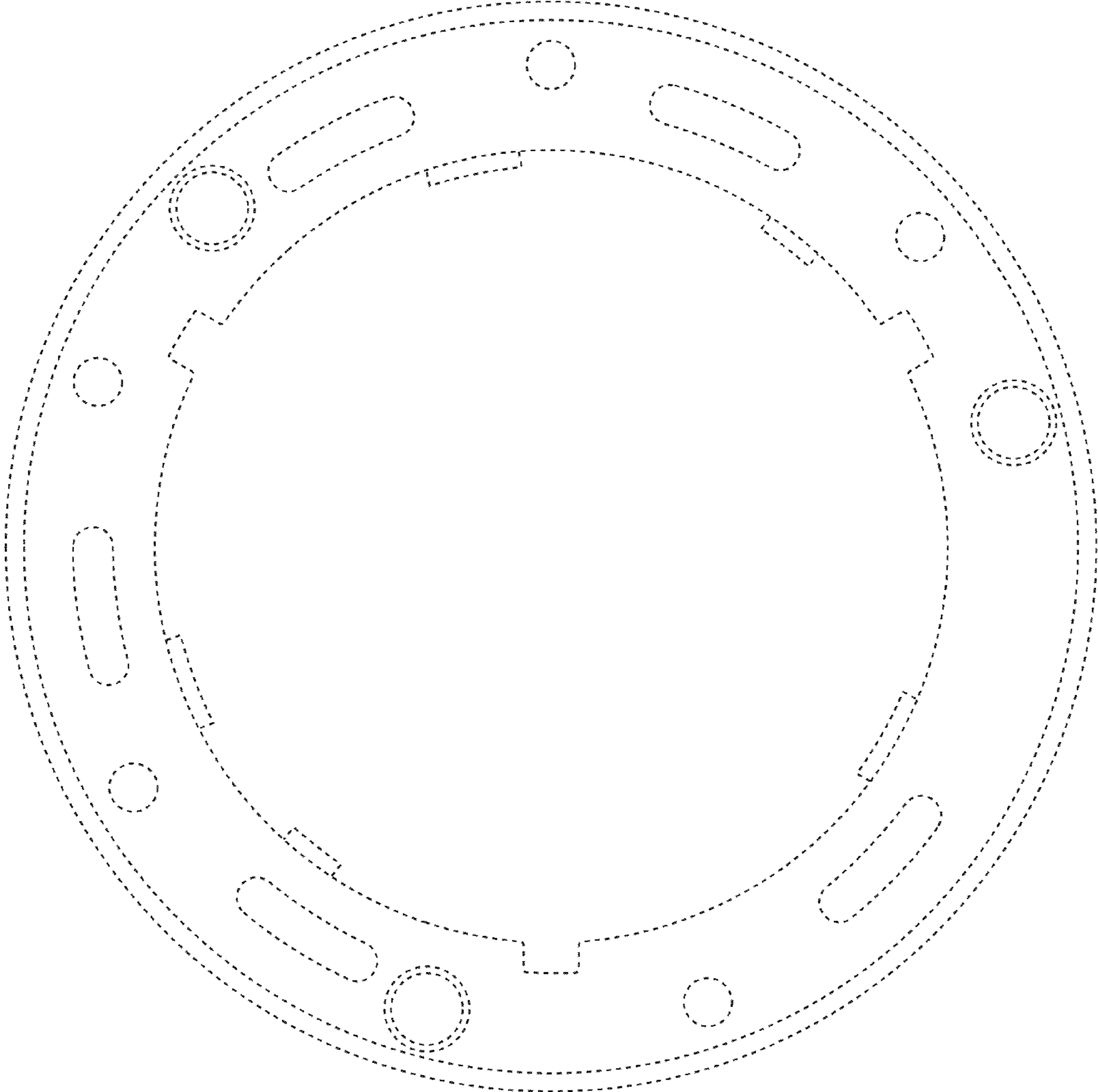


FIG. 4

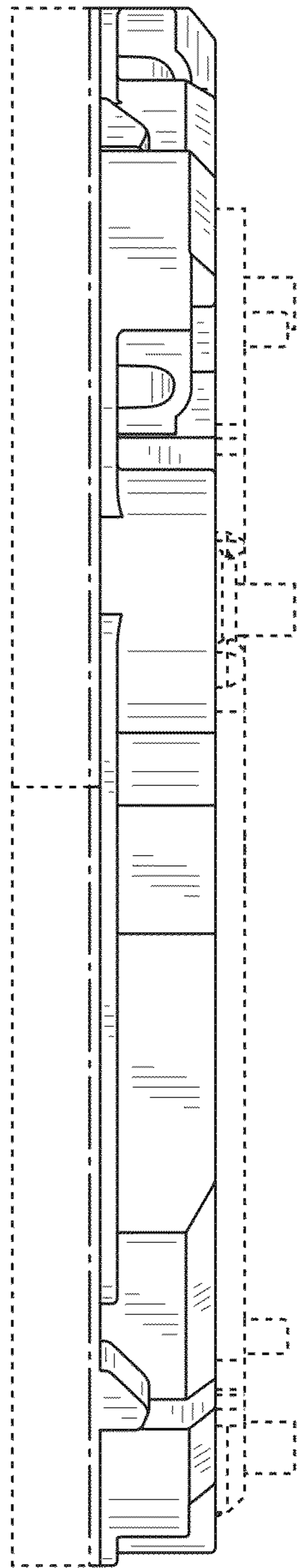


FIG. 5

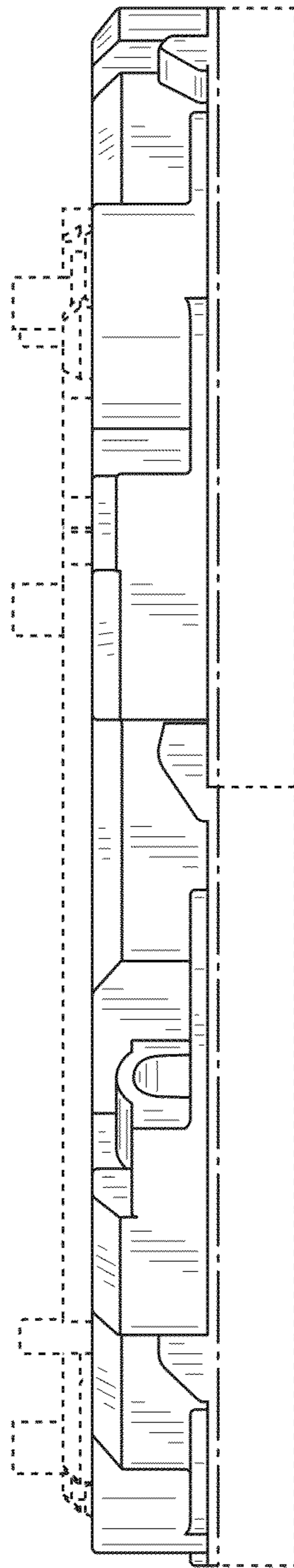


FIG. 6

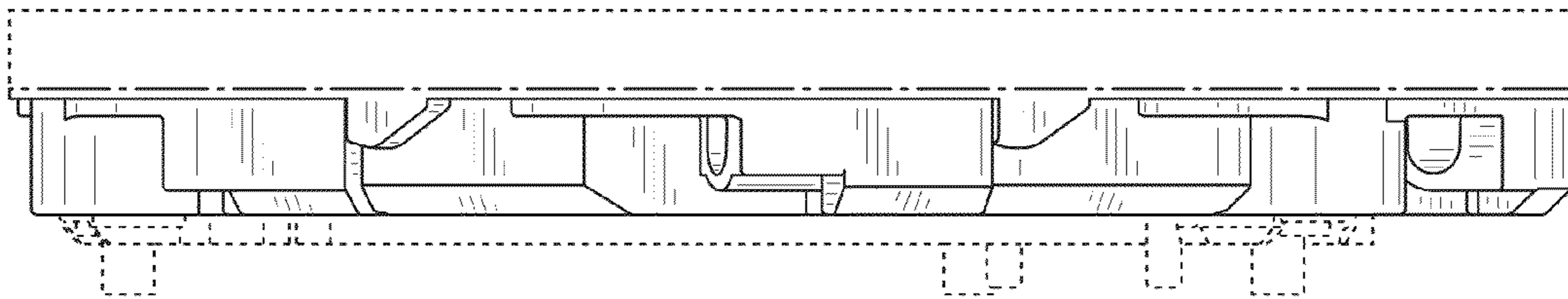


FIG. 7

