



US00D726114S

(12) **United States Design Patent**
Nook et al.

(10) **Patent No.:** **US D726,114 S**
(45) **Date of Patent:** **** Apr. 7, 2015**

(54) **FLEX REGULATOR**

(71) Applicant: **The Noco Company**, Glenwillow, OH
(US)

(72) Inventors: **Jonathan Lewis Nook**, Gates Mills, OH
(US); **William Knight Nook, Sr.**, Shaker
Heights, OH (US); **James Richard
Stanfield**, Peoria, AZ (US); **Derek
Michael Underhill**, Tempe, AZ (US)

(73) Assignee: **The Noco Company**, Glenwillow, OH
(US)

(**) Term: **14 Years**

(21) Appl. No.: **29/468,294**

(22) Filed: **Sep. 27, 2013**

(51) **LOC (10) Cl.** **13-03**

(52) **U.S. Cl.**
USPC **D13/133**

(58) **Field of Classification Search**
USPC D13/107, 110, 120, 133, 134, 146, 148,
D13/149, 156, 184, 199; 439/248, 258, 274,
439/447, 603, 660, 607.01, 677, 680, 682,
439/686, 755; 174/74 R, 84 C
See application file for complete search history.

(56) **References Cited**

U.S. PATENT DOCUMENTS

3,020,518 A * 2/1962 Camping et al. 439/687
D318,718 S * 7/1991 Blatt D23/262

D444,772 S *	7/2001	Milan	D13/154
D465,205 S *	11/2002	Orpilla et al.	D13/154
D473,194 S *	4/2003	Lee	D13/154
D524,736 S *	7/2006	Morita et al.	D13/133
D542,224 S *	5/2007	Victor	D13/154
D552,560 S *	10/2007	Victor	D13/154
D555,594 S *	11/2007	So	D13/133
D586,750 S *	2/2009	Li	D13/133
D593,959 S *	6/2009	Victor	D13/156
D596,125 S *	7/2009	Norin et al.	D13/133
D597,946 S *	8/2009	Li	D13/133
D627,730 S *	11/2010	Huang et al.	D13/146
D643,815 S *	8/2011	Mark et al.	D13/133
D678,838 S *	3/2013	Henrink et al.	D13/133

* cited by examiner

Primary Examiner — Derrick Holland
Assistant Examiner — Jennifer O King

(74) *Attorney, Agent, or Firm* — Vorys, Sater, Seymour and
Pease LLP; William L. Klima

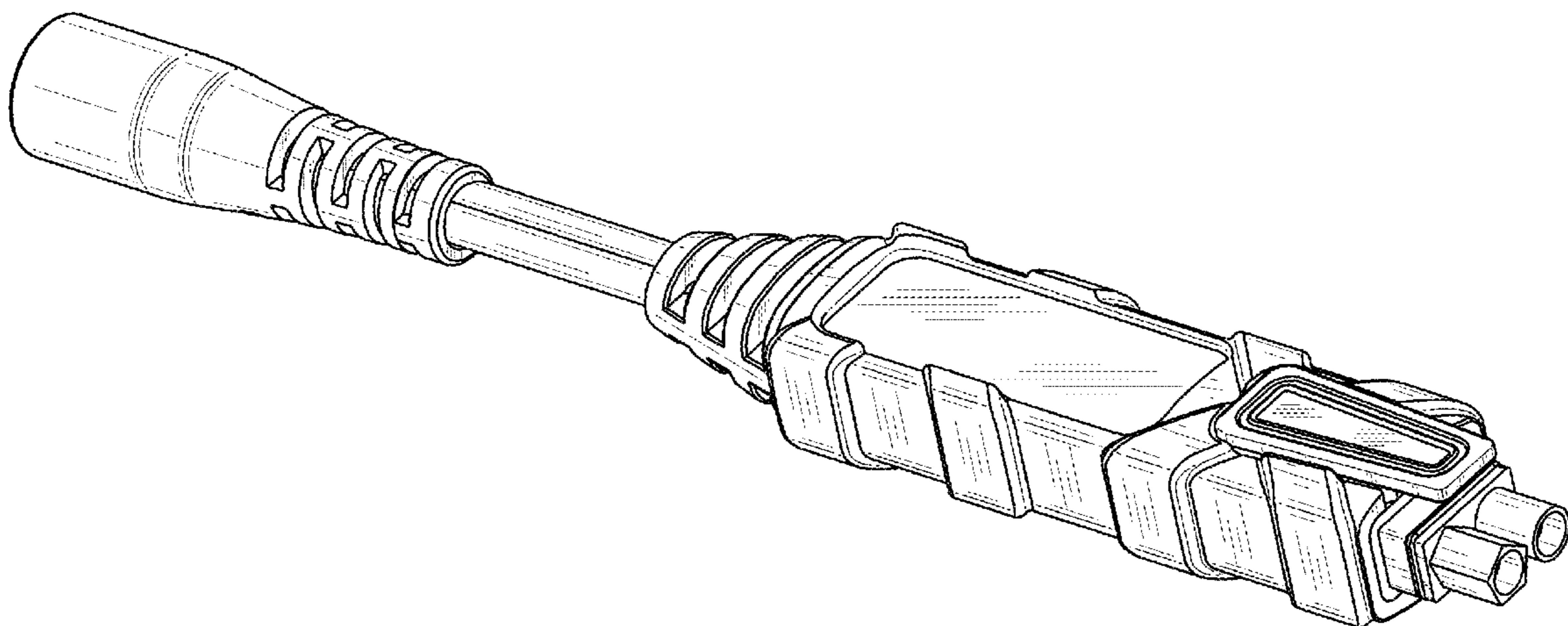
(57) **CLAIM**

The ornamental design for flex regulator, as shown and
described.

DESCRIPTION

FIG. 1 is a perspective view for a flex regulator;
FIG. 2 is another perspective view thereof;
FIG. 3 is a top plan view thereof;
FIG. 4 is a bottom plan view thereof;
FIG. 5 is a left-side elevational view thereof;
FIG. 6 is a right-side elevational view thereof;
FIG. 7 is a front elevational view thereof; and,
FIG. 8 is a rear elevational view thereof.

1 Claim, 5 Drawing Sheets



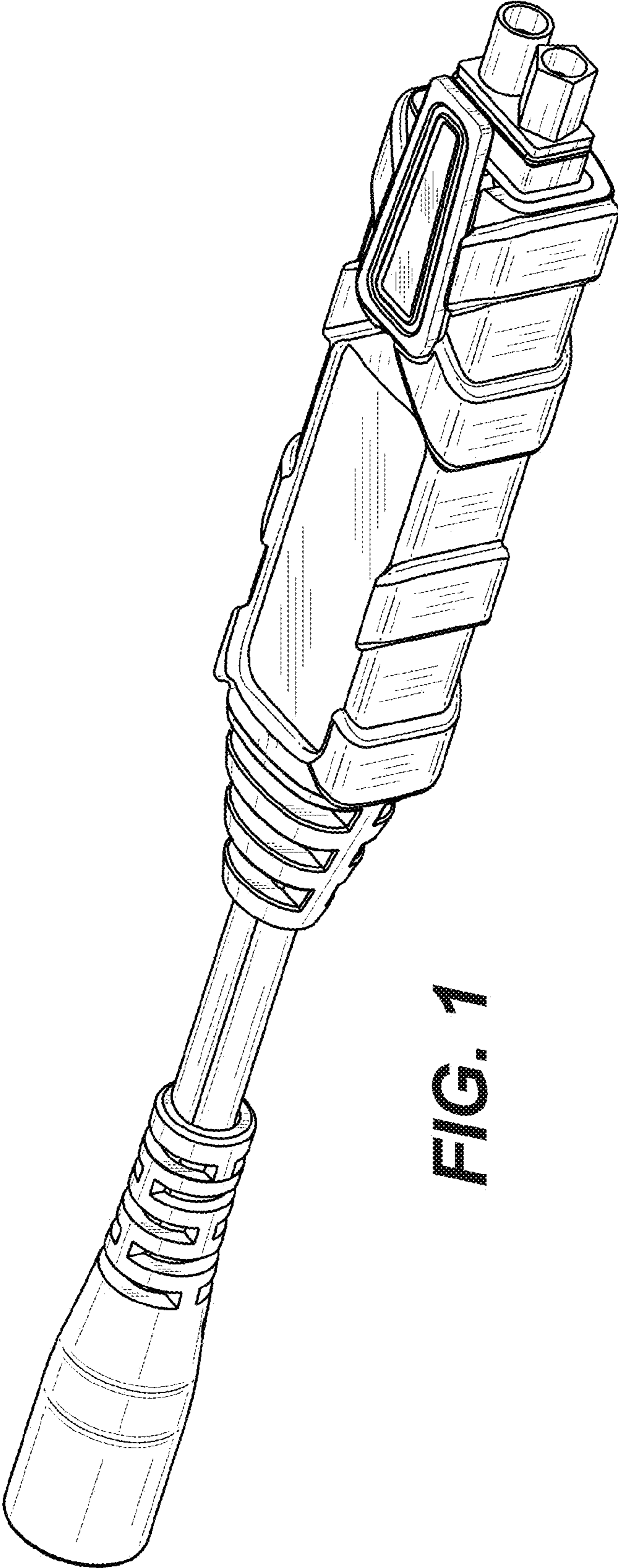


FIG. 1

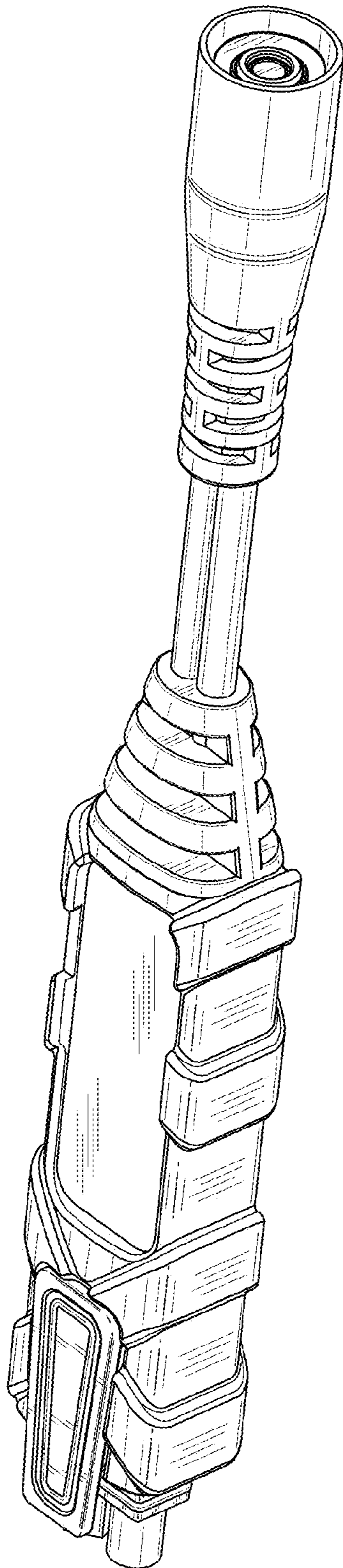


FIG. 2

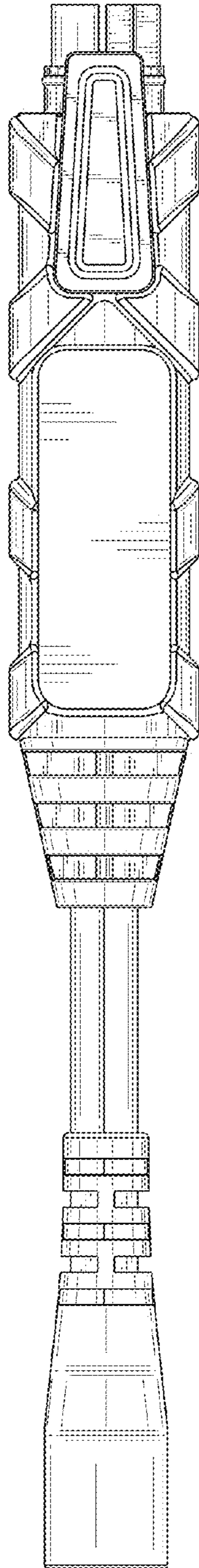


FIG. 3

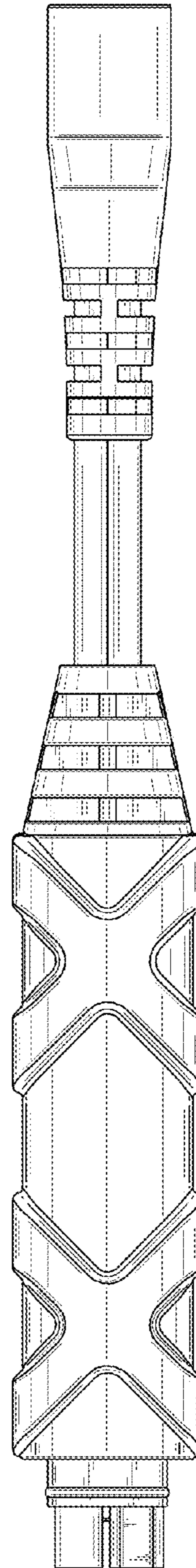


FIG. 4

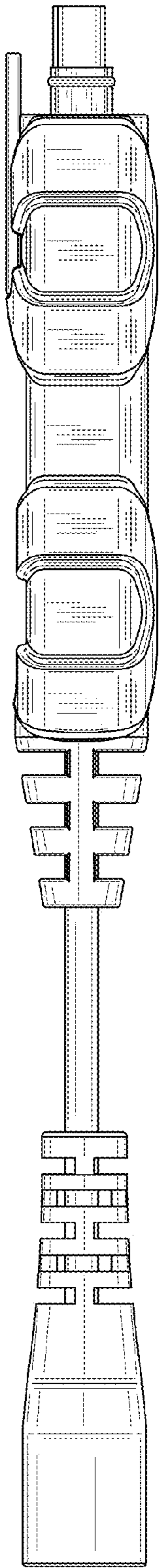


FIG. 5

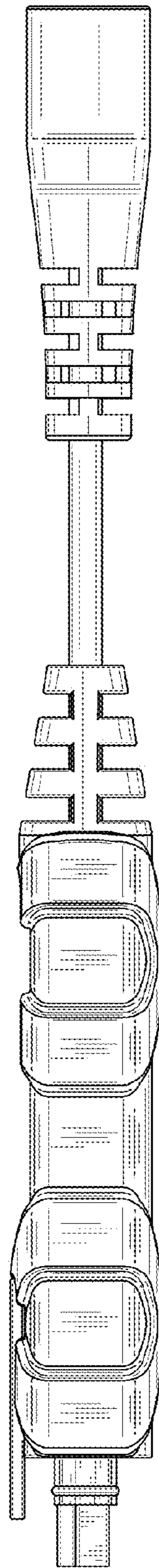


FIG. 6

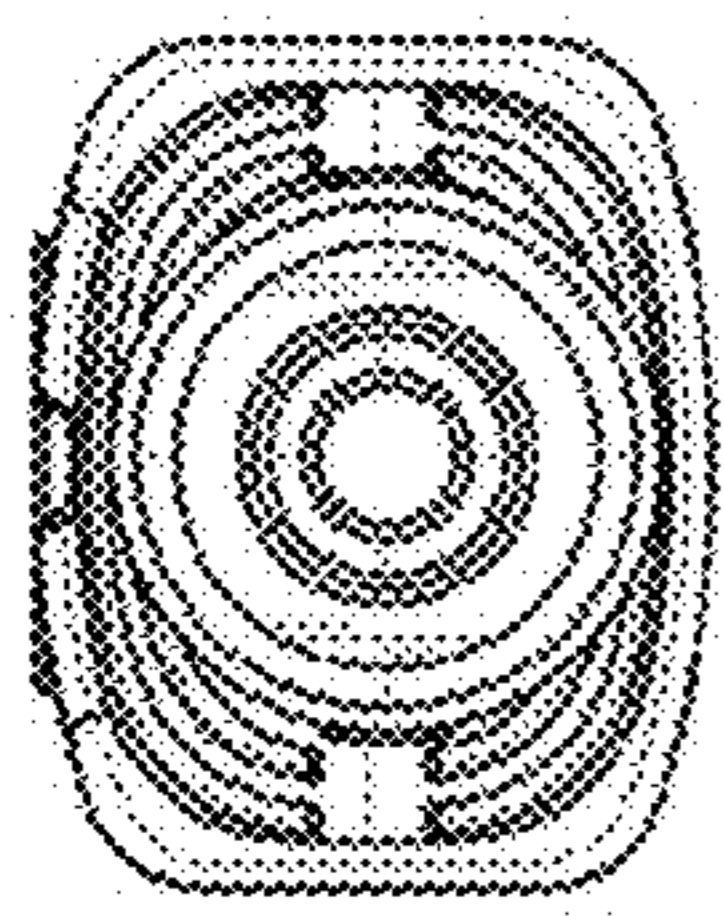


FIG. 7

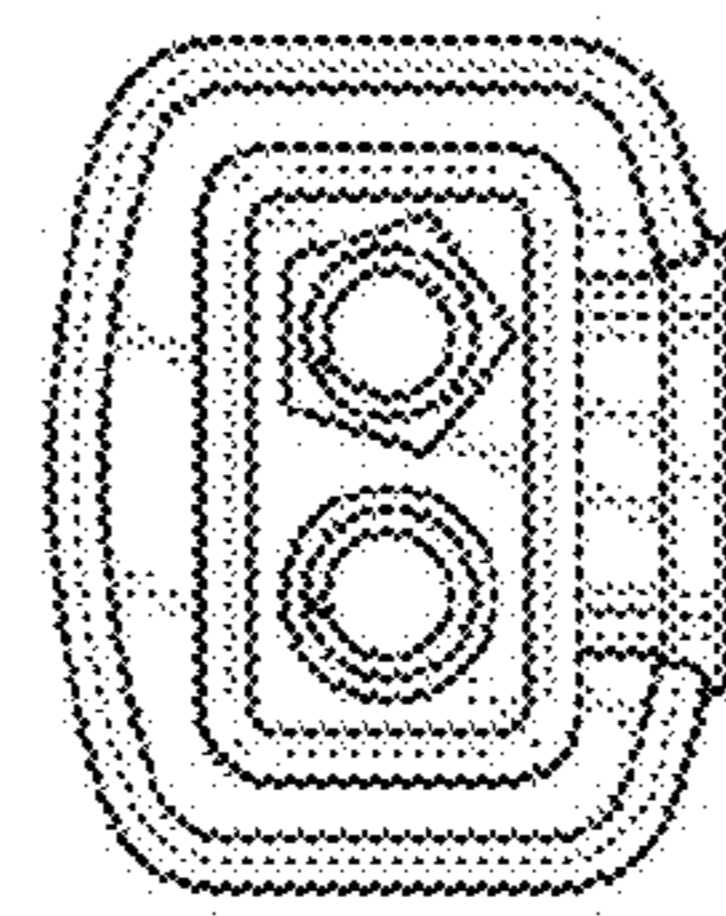


FIG. 8