



US00D726113S

(12) **United States Design Patent**
Senba et al.

(10) **Patent No.:** **US D726,113 S**
(45) **Date of Patent:** **** Apr. 7, 2015**

(54) **ELECTRIC CONNECTOR**

FOREIGN PATENT DOCUMENTS

(71) Applicant: **DDK Ltd.**, Tokyo (JP)

JP 1465774 4/2013

(72) Inventors: **Nobuyuki Senba**, Tokyo (JP); **Hideki Shibata**, Tokyo (JP)

* cited by examiner

(73) Assignee: **DDK Ltd.**, Tokyo (JP)

Primary Examiner — Daniel Bui

Assistant Examiner — Shawn T Gingrich

(**) Term: **14 Years**

(74) *Attorney, Agent, or Firm* — Procopio, Cory, Hargreaves & Savitch LLP

(21) Appl. No.: **29/450,318**

(22) Filed: **Mar. 15, 2013**

(57) **CLAIM**

The ornamental design for an electric connector, as shown and described.

(30) **Foreign Application Priority Data**

Feb. 26, 2013 (JP) 2013-003863

DESCRIPTION

(51) **LOC (10) Cl.** **13-03**

(52) **U.S. Cl.**
USPC **D13/133**

(58) **Field of Classification Search**
CPC H01R 3/00; H01R 4/185; H01R 9/05;
H01R 12/00; H01R 13/02; H01R 13/40;
H01R 24/38
USPC D13/133, 153, 154, 184, 199; D14/433;
439/578, 582
See application file for complete search history.

FIG. 1 is a top front left perspective view of an electric connector showing our new design;
FIG. 2 is a bottom rear right perspective view thereof;
FIG. 3 is a front view thereof;
FIG. 4 is a rear view thereof;
FIG. 5 is a right side view thereof;
FIG. 6 is a left side view thereof;
FIG. 7 is a top plan view thereof;
FIG. 8 is a bottom plan view thereof;
FIG. 9 is a sectional view thereof along line 9-9 of FIG. 3; and,
FIG. 10 is a top front left perspective view thereof in use condition.

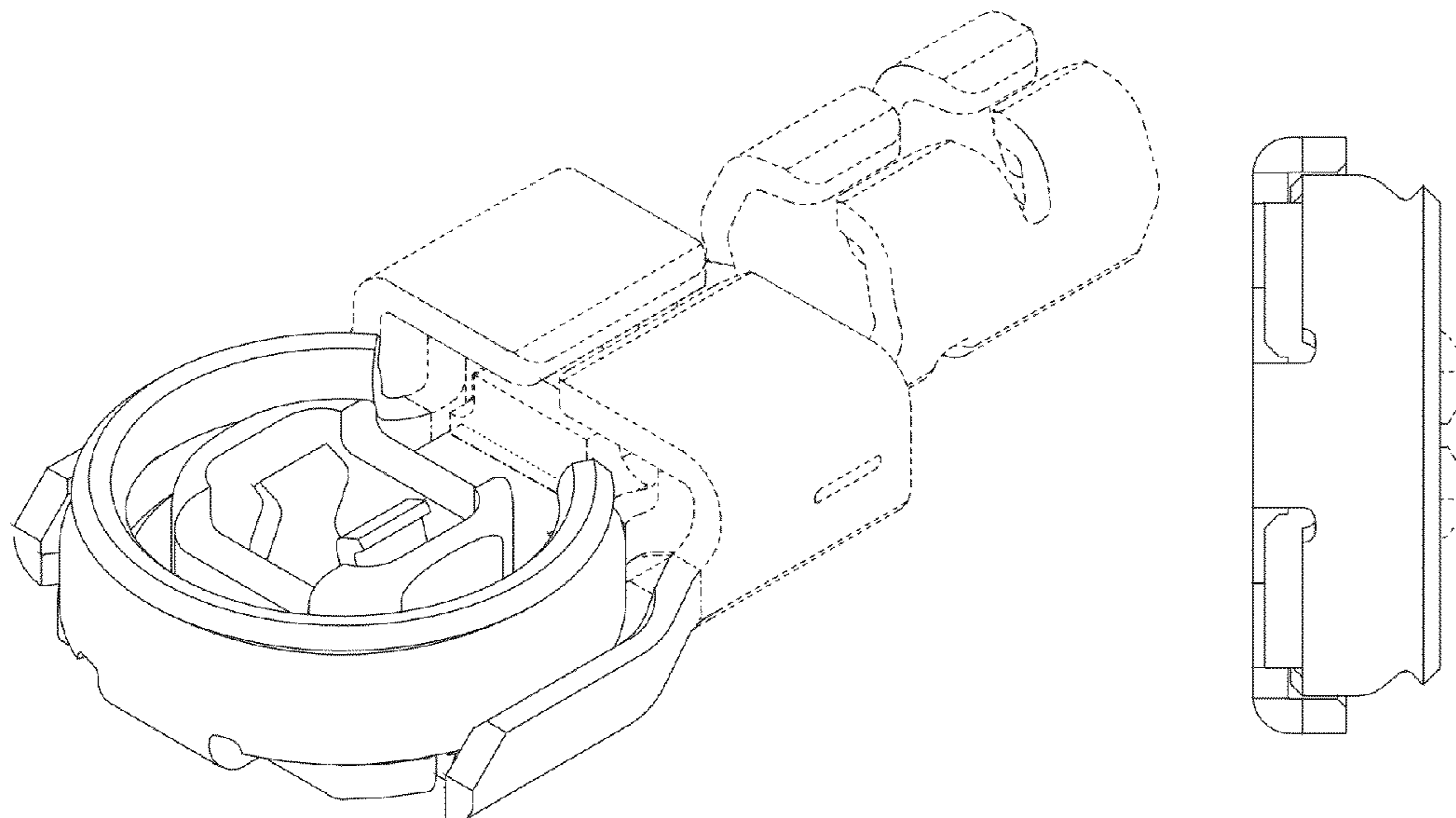
(56) **References Cited**

U.S. PATENT DOCUMENTS

D457,496 S * 5/2002 Ko D13/133
6,572,407 B1 * 6/2003 Ko 439/582
8,317,540 B2 * 11/2012 Chen 439/582
2010/0093210 A1 * 4/2010 Zeng 439/578
2013/0280954 A1 * 10/2013 Ohsaka 439/578
2014/0206229 A1 * 7/2014 Chen et al. 439/582

The even broken lines showing the unclaimed environment are provided in the drawing views for illustrative purposes only and form no part of the claimed design. The short-dash long-dash broken lines are for the purpose of illustrating the boundary of the claim and form no part of the claimed design.

1 Claim, 6 Drawing Sheets



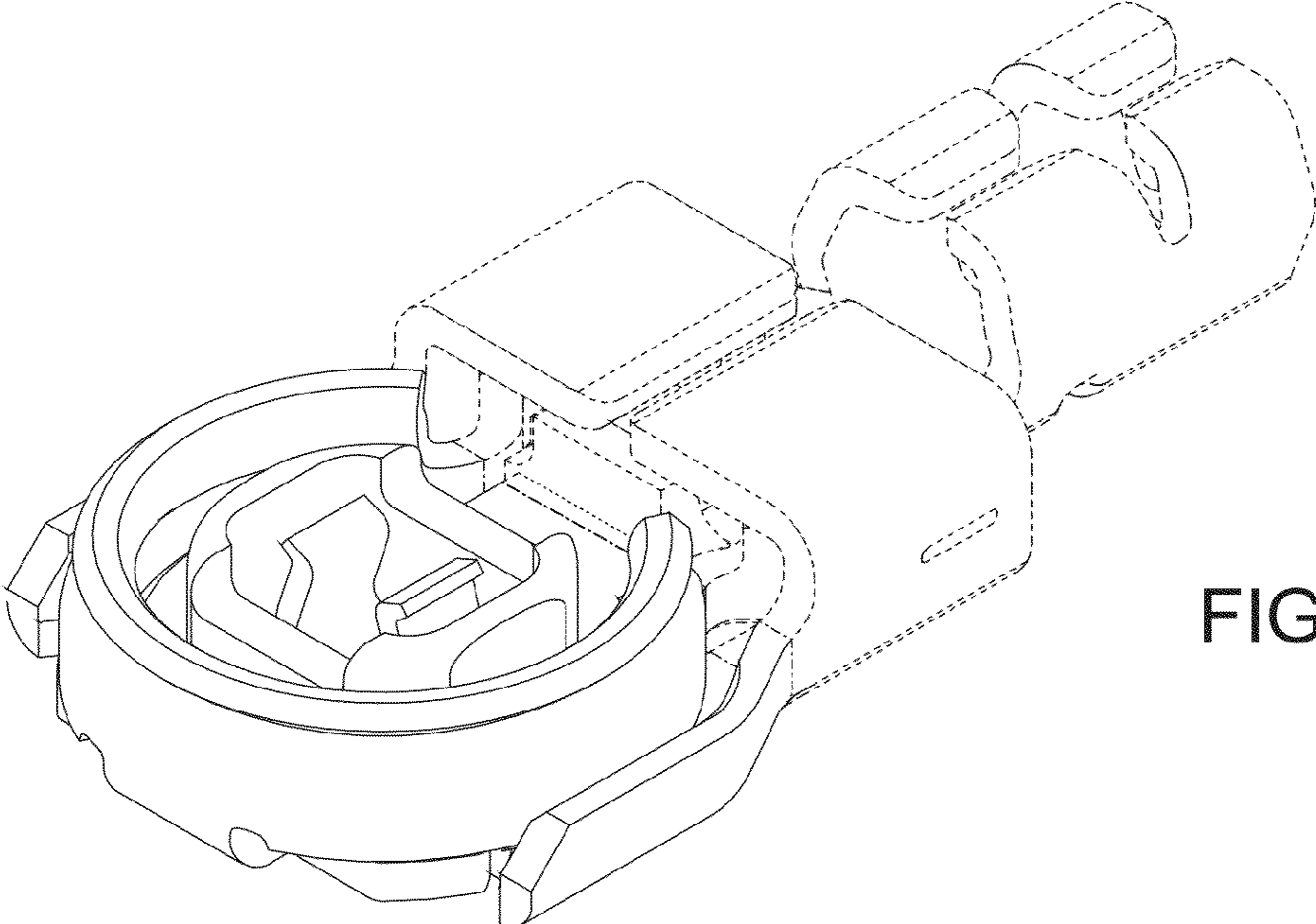


FIG. 1

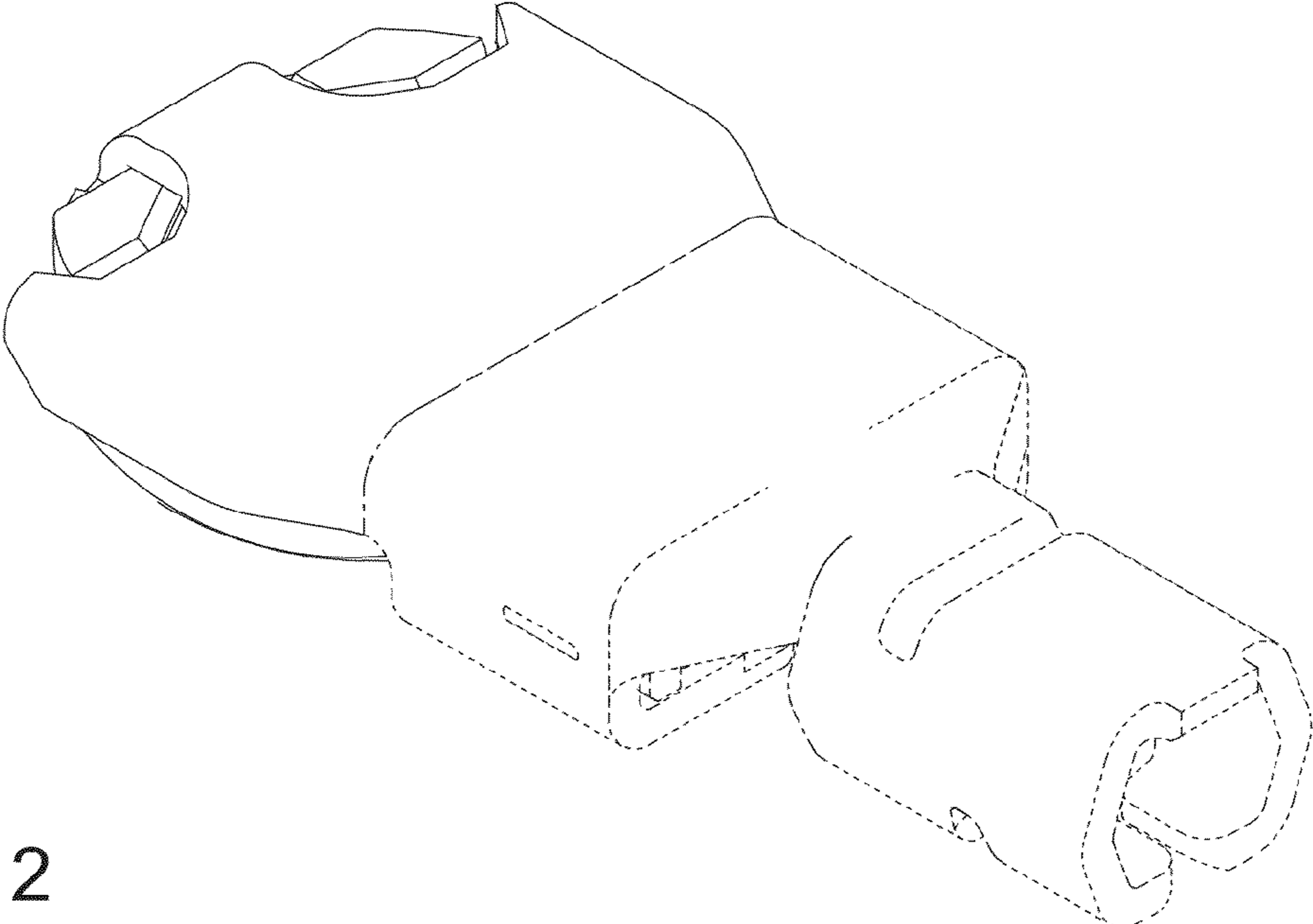
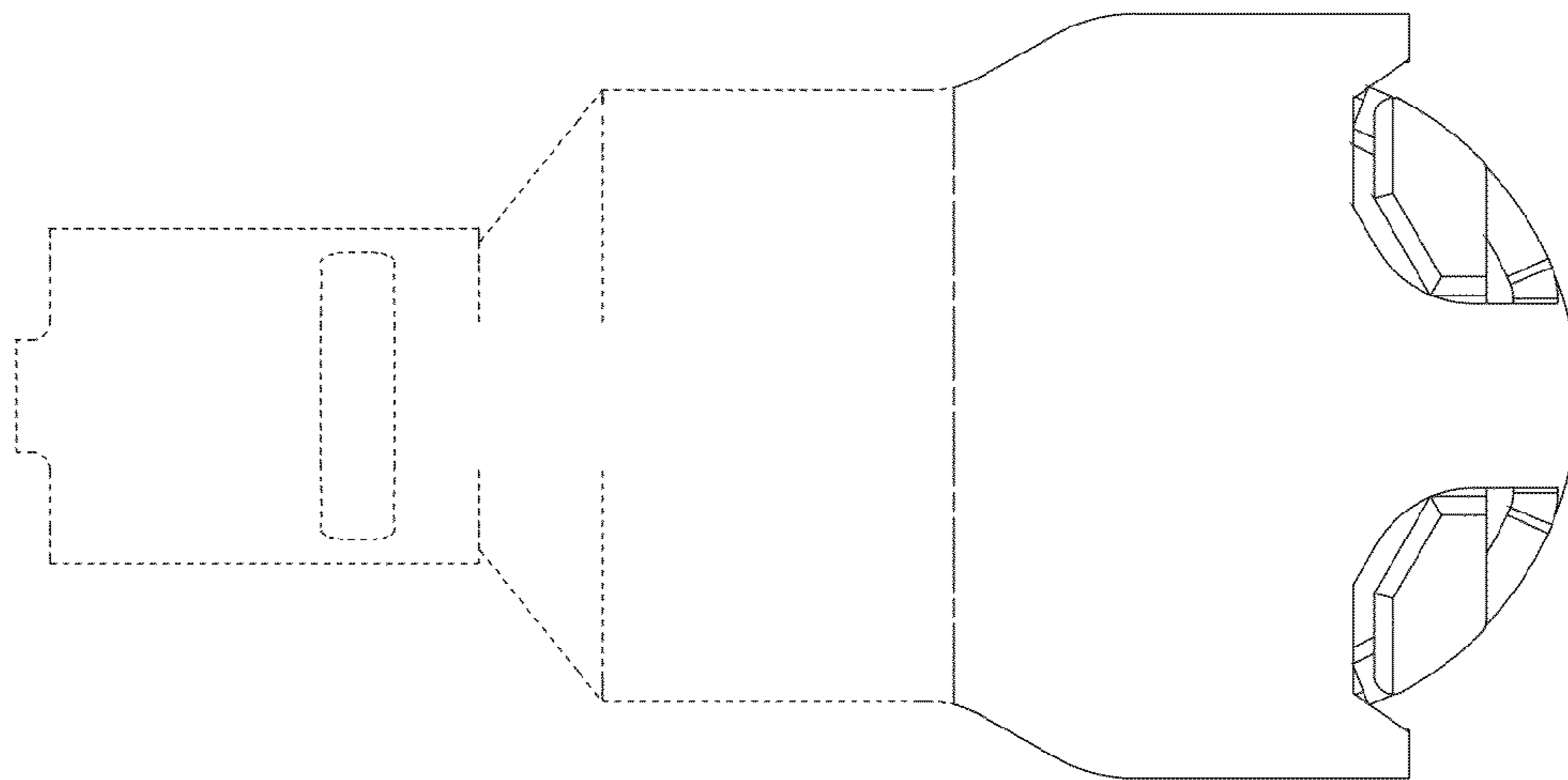
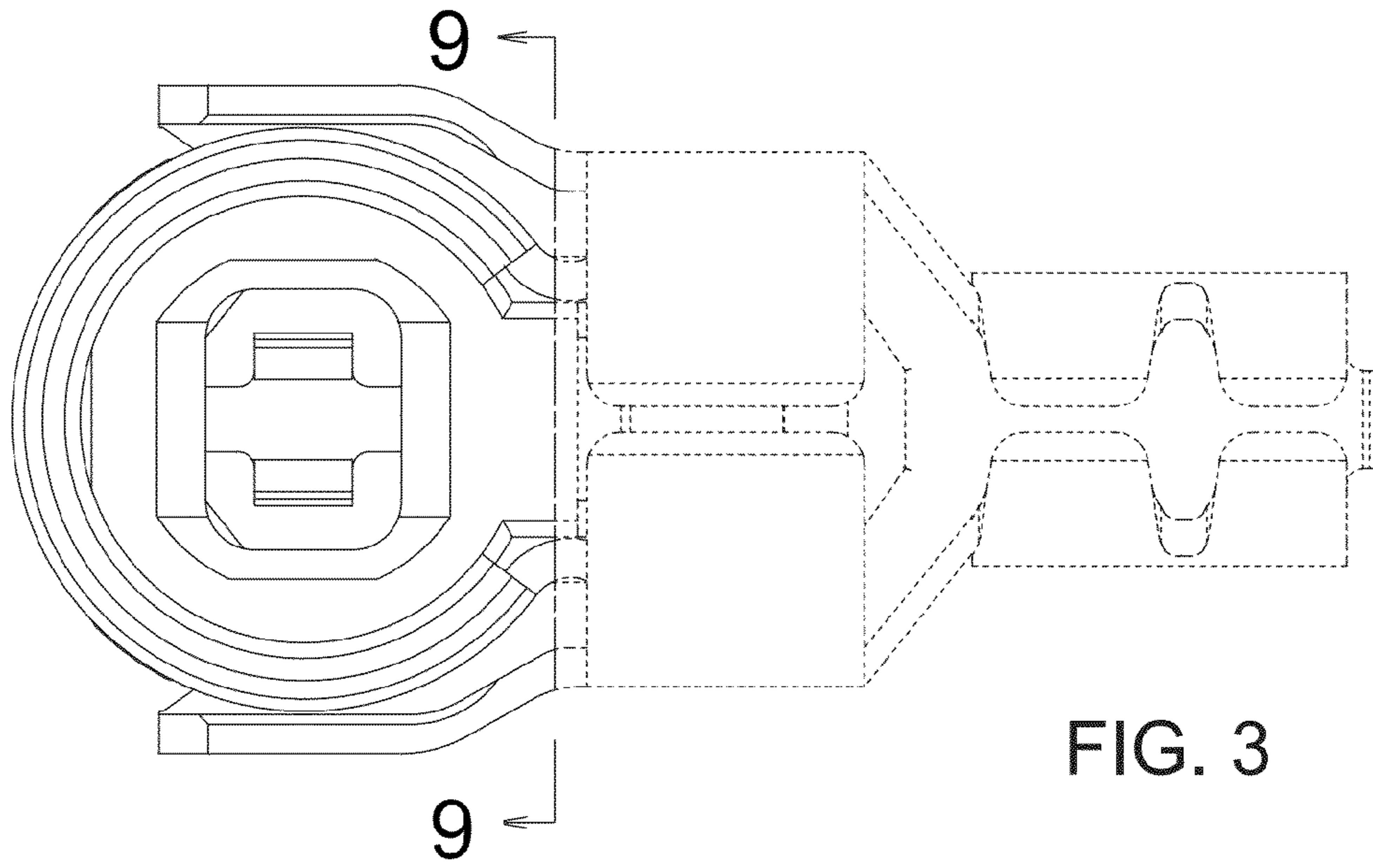


FIG. 2



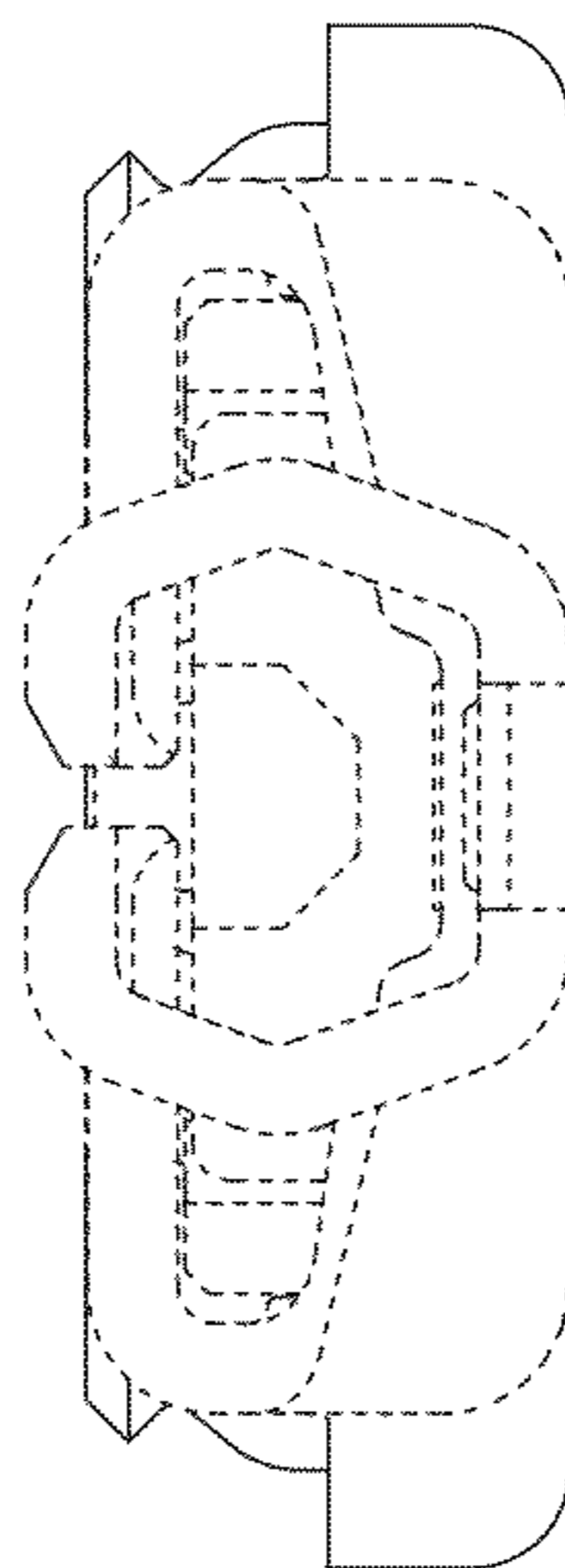


FIG. 5

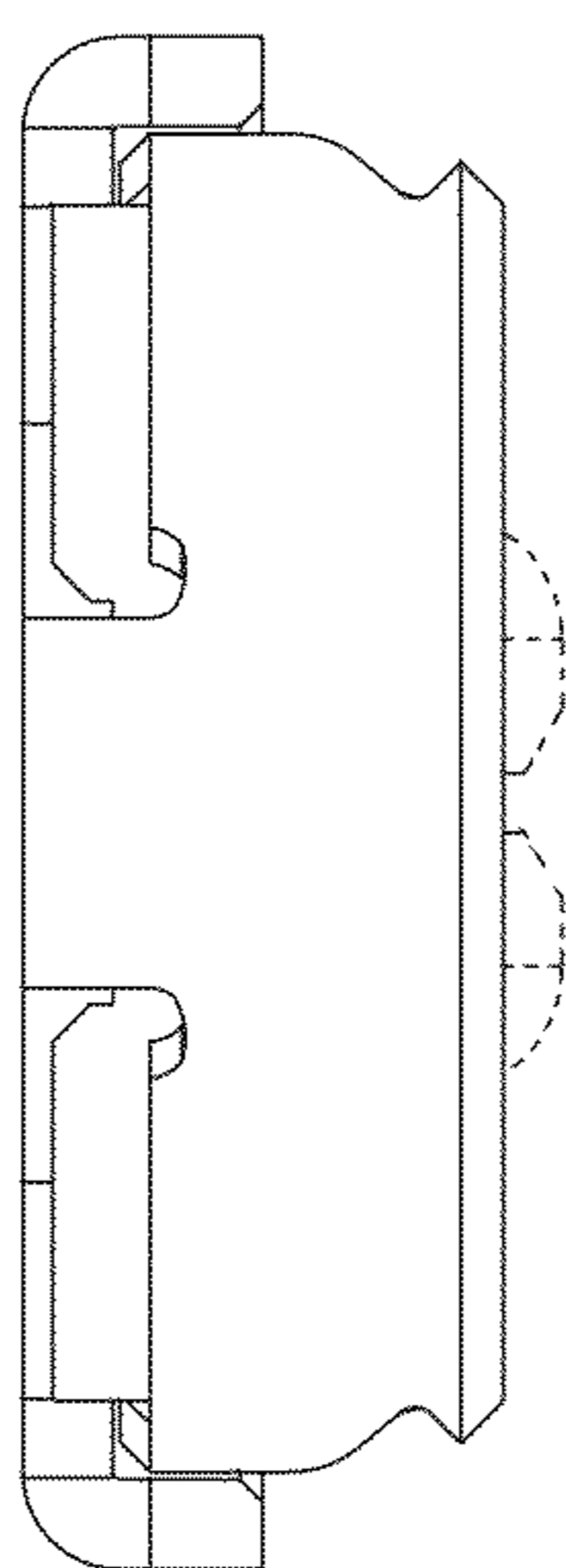


FIG. 6

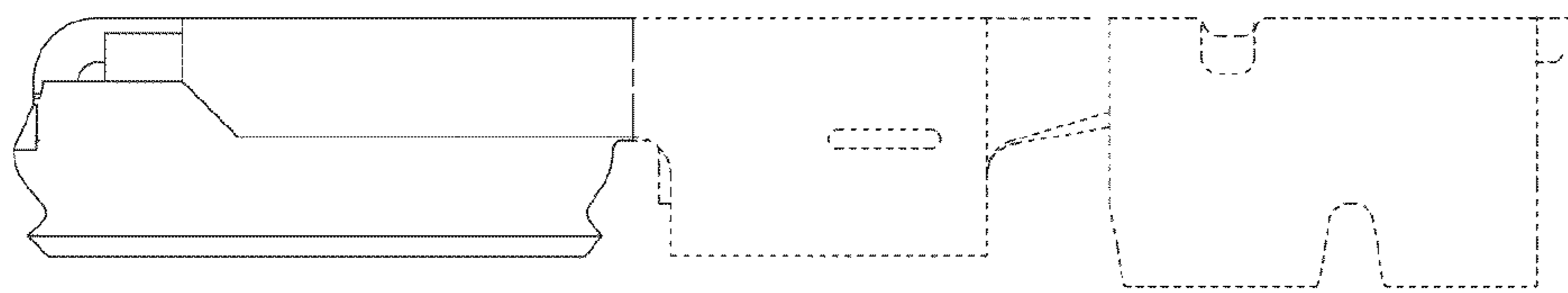


FIG. 7

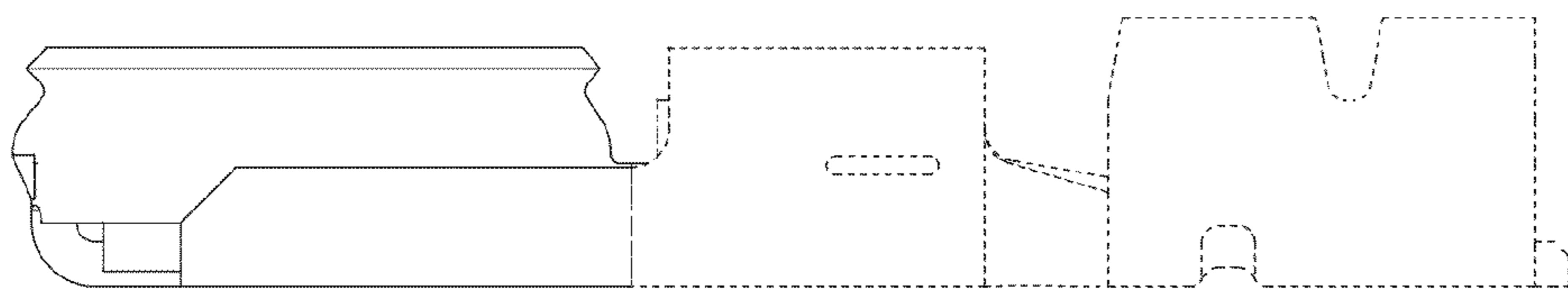


FIG. 8

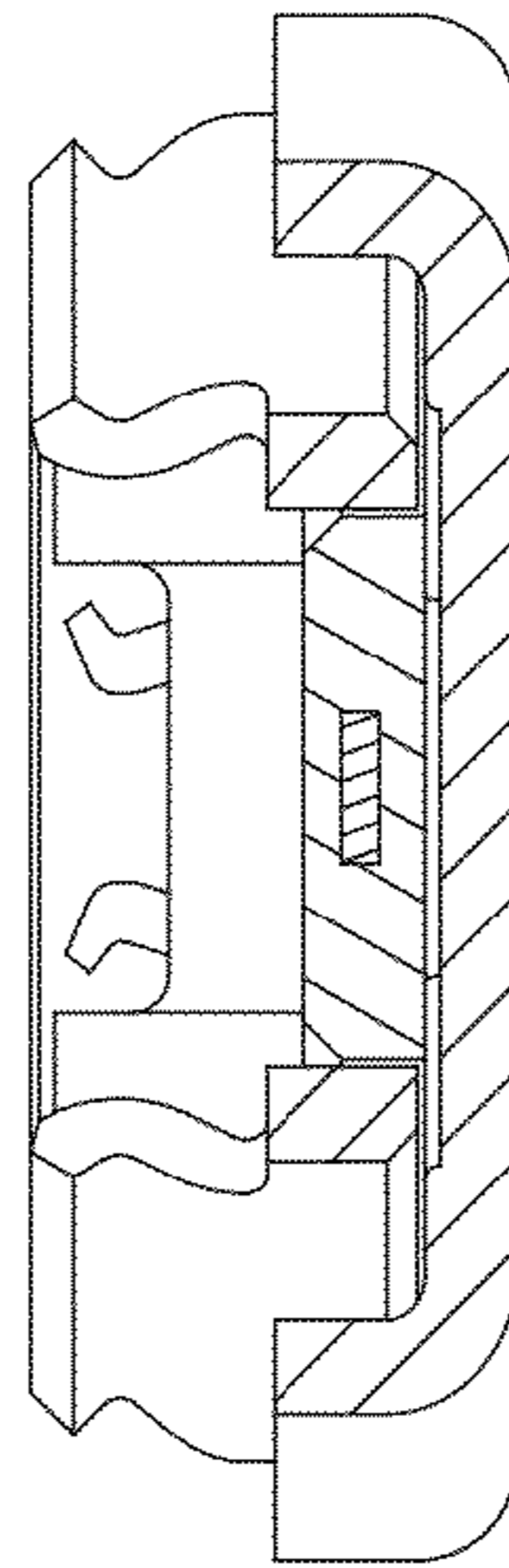


FIG. 9

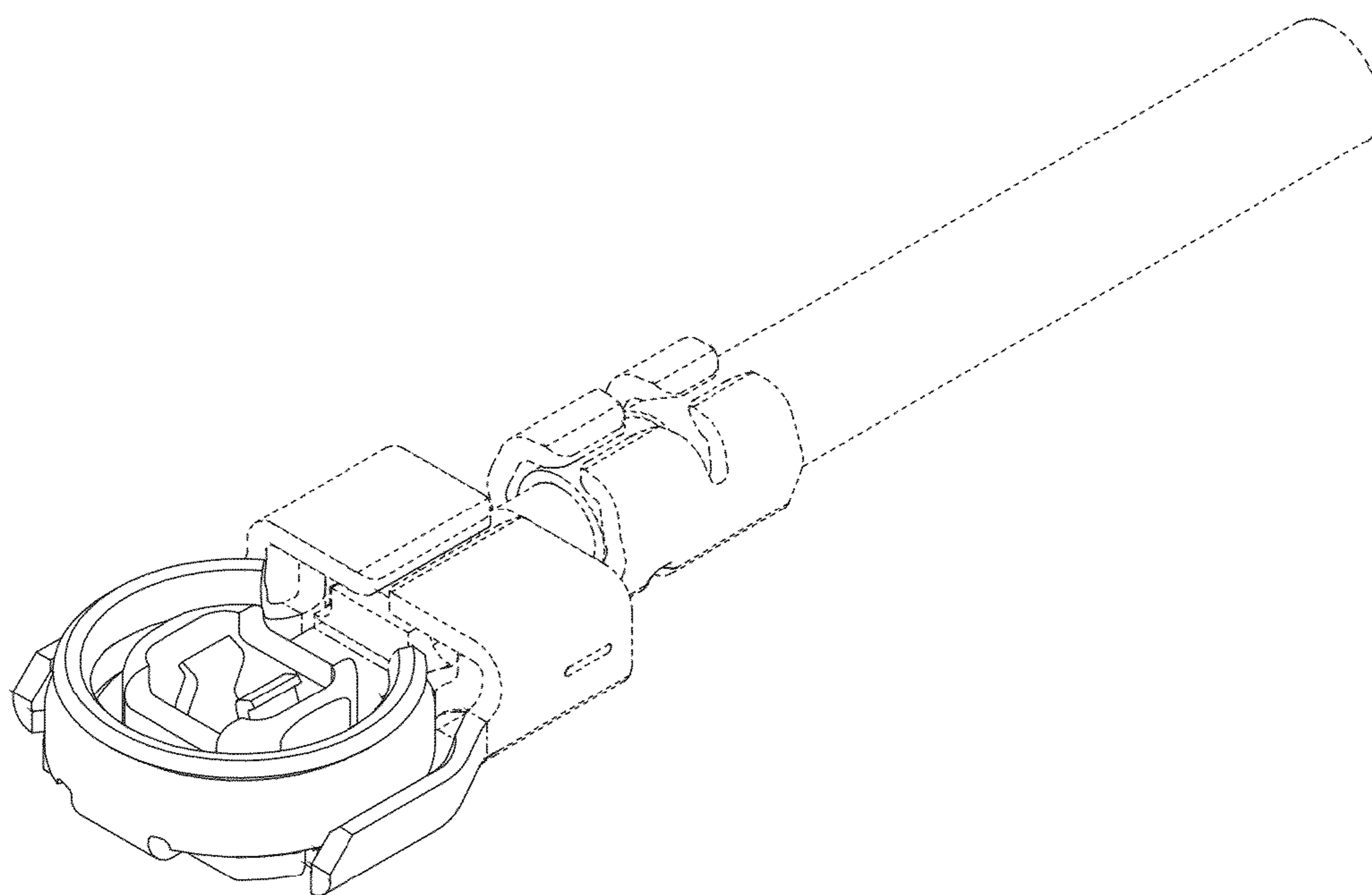


FIG. 10