



US00D726112S

(12) **United States Design Patent**
Andersson et al.

(10) **Patent No.:** **US D726,112 S**
(45) **Date of Patent:** **** Apr. 7, 2015**

(54) **SPARK PLUG EXTENSION**

361/679.01

See application file for complete search history.

(71) Applicant: **SEM AB**, Åmål (SE)

(72) Inventors: **Lars-Åke Andersson**, Åmål (SE);
Jörgen Bengtsson, Svanskog (SE); **Bert Gustafsson**, Åmål (SE)

(73) Assignee: **SEM AB**, Amal (SE)

(**) Term: **14 Years**

(21) Appl. No.: **29/473,933**

(22) Filed: **Nov. 27, 2013**

(30) **Foreign Application Priority Data**

Jun. 18, 2013 (EP) 002257634-000

(51) **LOC (10) Cl.** **13-03**

(52) **U.S. Cl.**
USPC **D13/127**

(58) **Field of Classification Search**

CPC H01H 11/00; H01H 19/02; H01H 19/10;
H01H 19/28; H01H 19/36; H01H 19/64;
H01H 1/06; H01H 1/2041; H01H 1/42;
H01H 2071/0292; H01H 2071/042; H01H
33/08; H01H 33/12; H01H 33/42; H01H 3/30;
H01H 3/3015; H01H 71/025; H01H 71/04;
H01H 71/1054; H01H 9/167; H01H 9/281;
H01H 9/282; H05K 7/1432; H01G 9/008;
H01G 4/32; H01G 9/10; H01G 4/28; A61N
1/3975; F15B 15/1428; F15B 11/0365;
F15B 15/084; F15B 15/1414; F15B 15/1433;
F15B 2211/7056; Y02E 60/13; H01T 13/08;
H01T 13/06; H01T 13/20; A61G 7/1019;
A61G 7/1044; A61G 7/1076
USPC D13/110, 123-128, 133, 147, 158-160,
D13/162, 184, 199; D14/300, 308,
D14/311-314, 348, 349, 356; 60/476;
137/343; 200/43.14, 50.01,
200/50.21-50.23; 361/44, 115, 608, 634,

(56) **References Cited**

U.S. PATENT DOCUMENTS

D349,683 S * 8/1994 Arens D13/127
D381,626 S * 7/1997 Burnside D13/127
D391,226 S * 2/1998 Coombs et al. D13/127
6,216,581 B1 * 4/2001 Murao et al. 92/5 R
6,226,809 B1 * 5/2001 Davies 4/563.1
D494,136 S * 8/2004 Vesecky D13/127
7,623,336 B2 * 11/2009 Stevenson et al. 361/302
7,825,573 B2 * 11/2010 Callahan et al. 313/143
D637,210 S * 5/2011 Wessol et al. D15/7
2008/0054777 A1 * 3/2008 Callahan et al. 313/143

* cited by examiner

Primary Examiner — Thomas Johannes

Assistant Examiner — Shawn T Gingrich

(74) *Attorney, Agent, or Firm* — Jeffrey S. Melcher; Manelli Selter PLLC

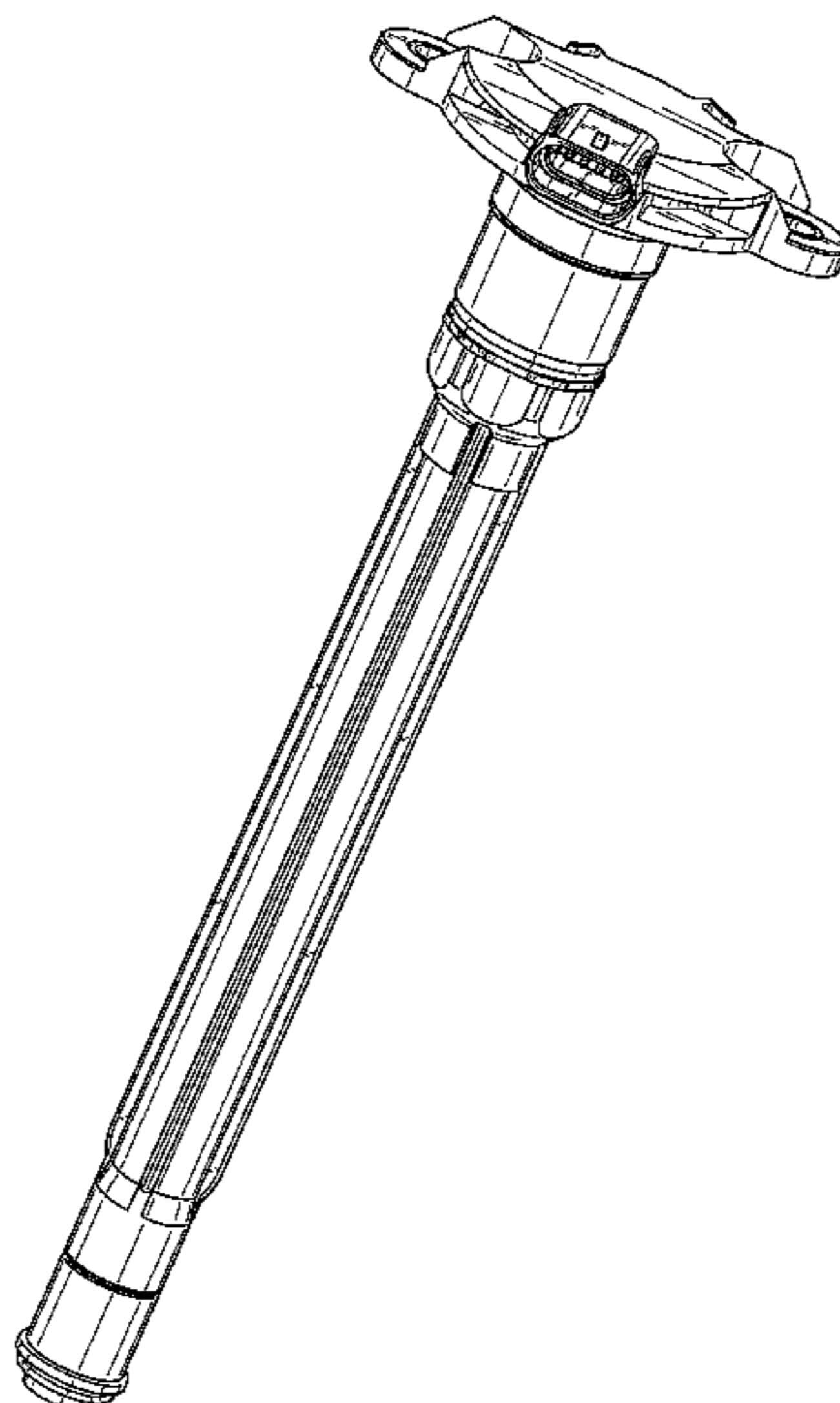
(57) **CLAIM**

We claim the ornamental design for a spark plug extension, as shown and described.

DESCRIPTION

FIG. 1 is a perspective view of the spark plug extension;
FIG. 2 is a front view thereof;
FIG. 3 is a back view thereof;
FIG. 4 is a left view thereof.
FIG. 5 is a right view thereof.
FIG. 6 is a top view thereof; and,
FIG. 7 is a bottom view thereof.
The broken line portion of the figure drawings is included to show unclaimed subject matter only and forms no part of the claimed design.

1 Claim, 5 Drawing Sheets



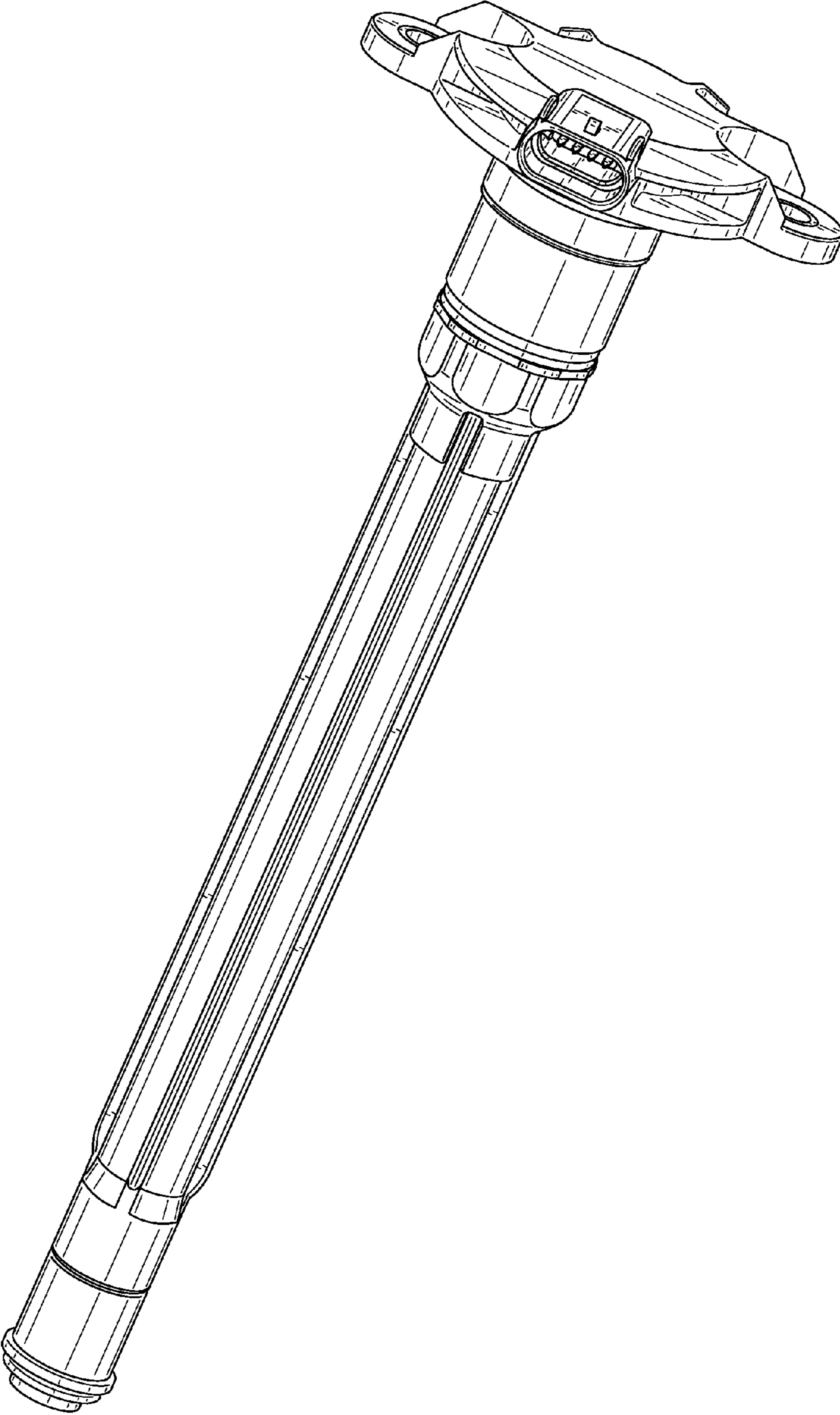


FIG. 1

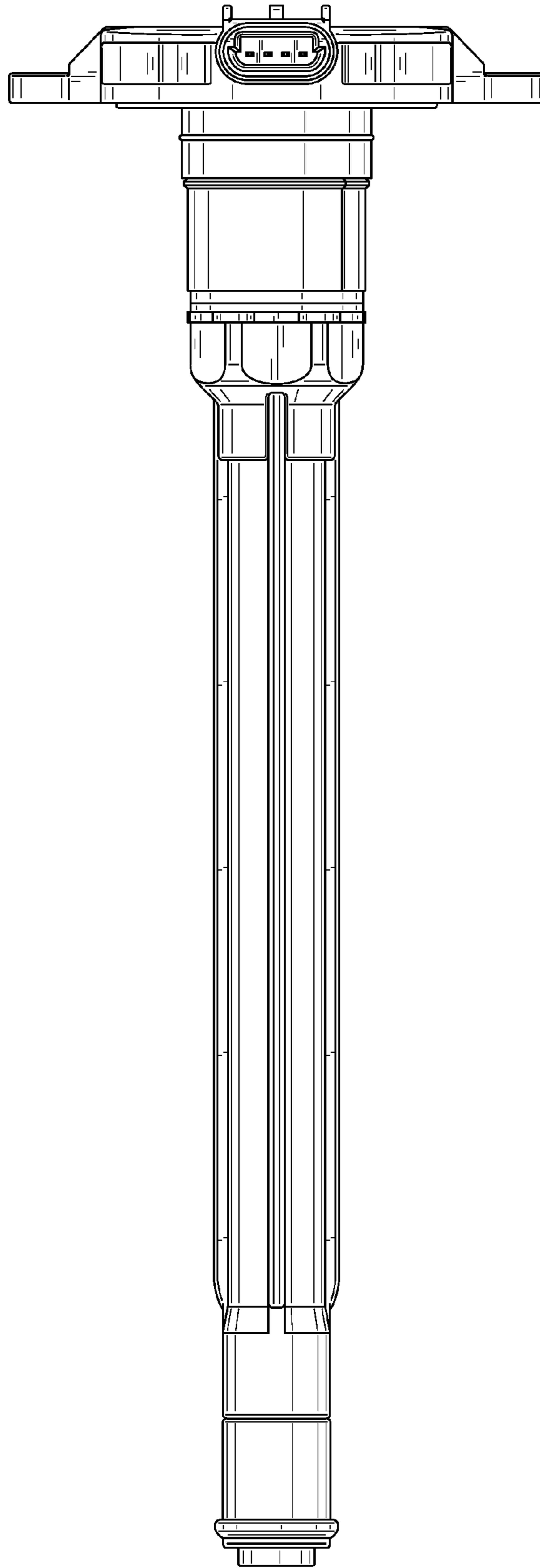


FIG. 2

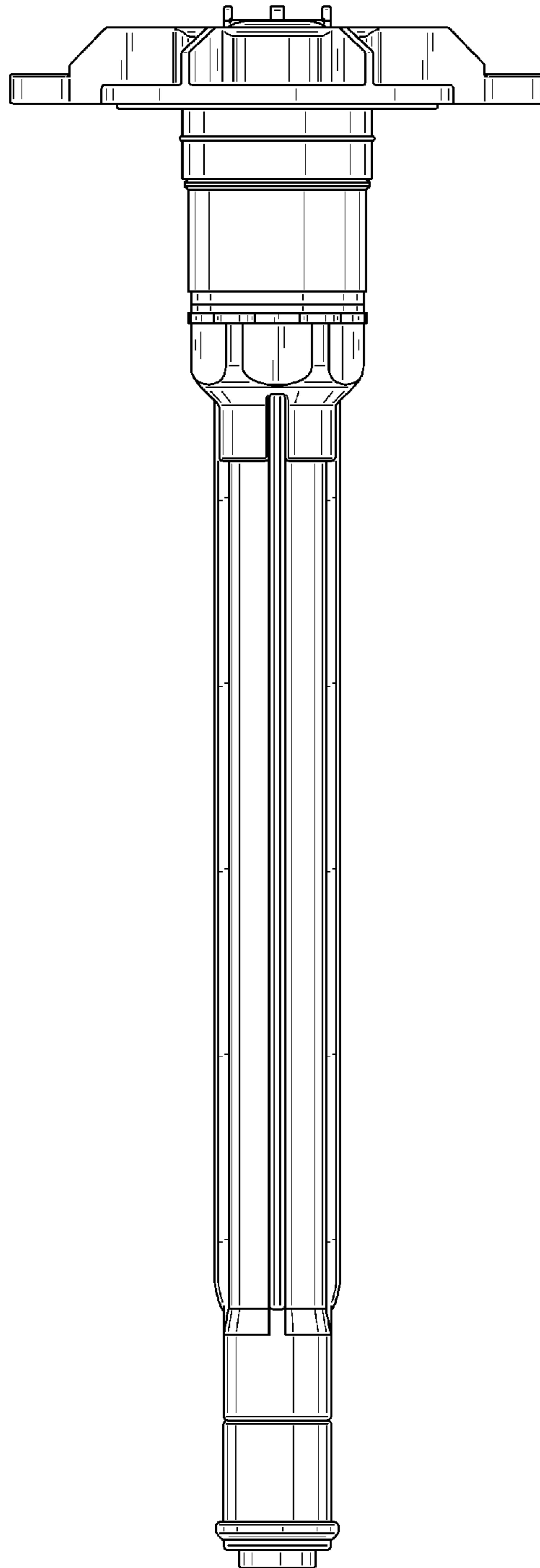


FIG. 3

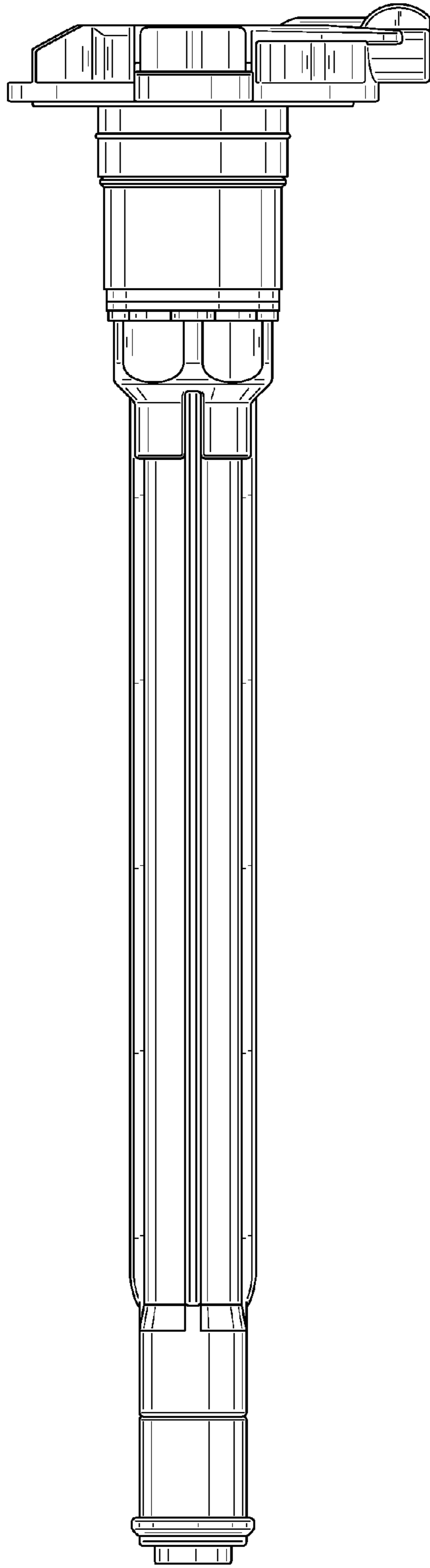


FIG. 4

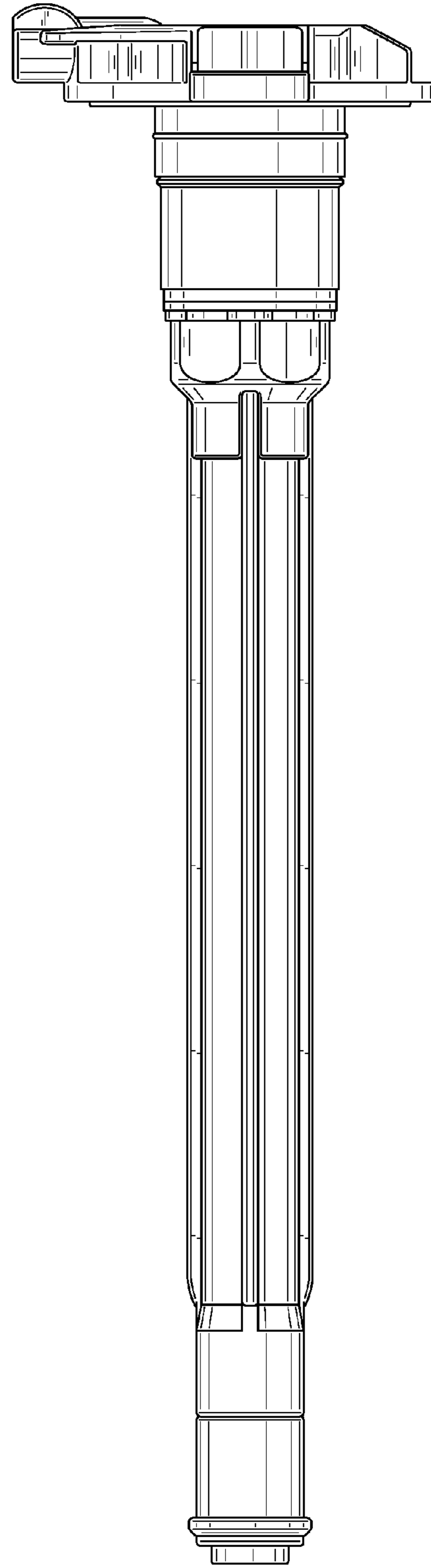


FIG. 5

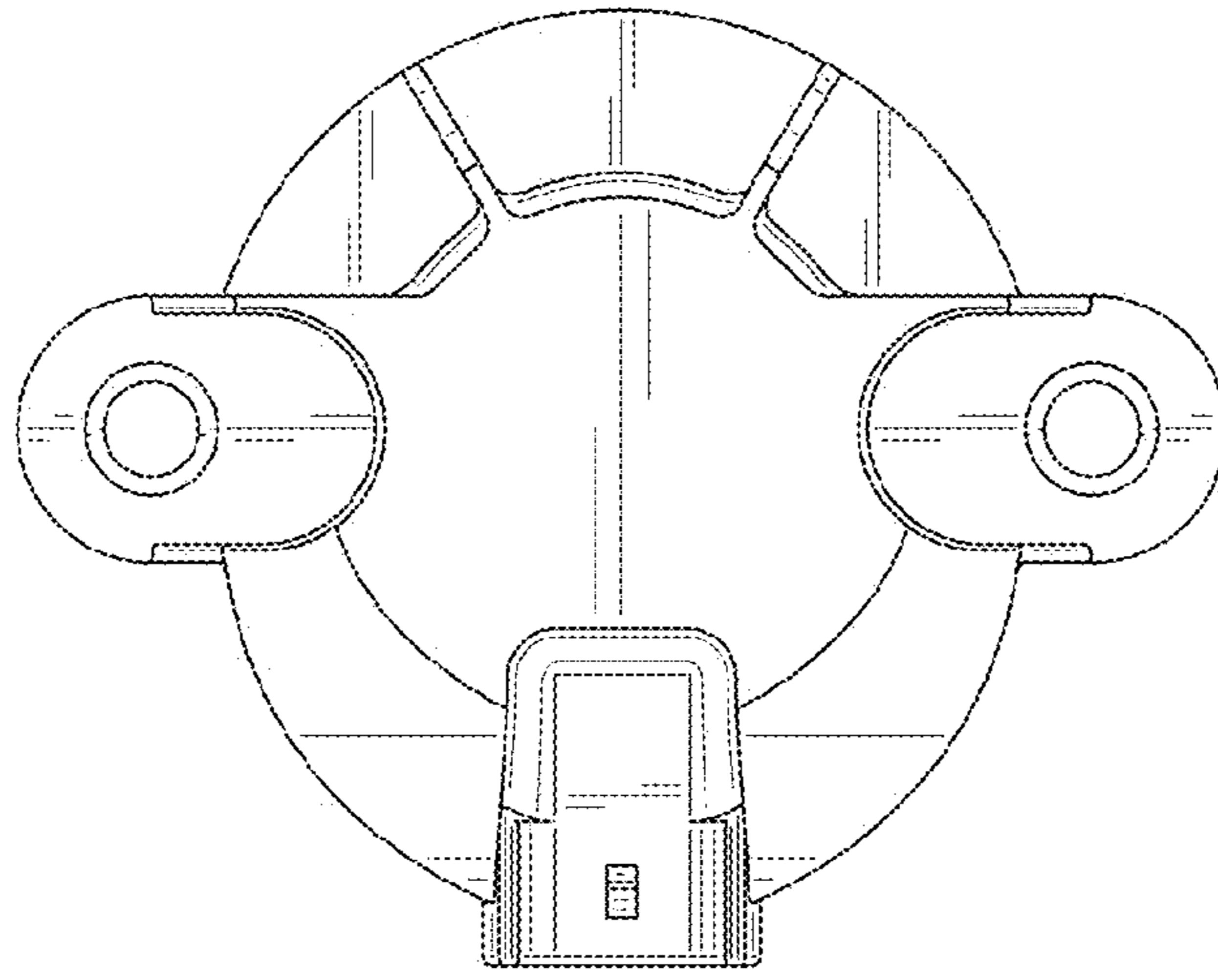


FIG. 6

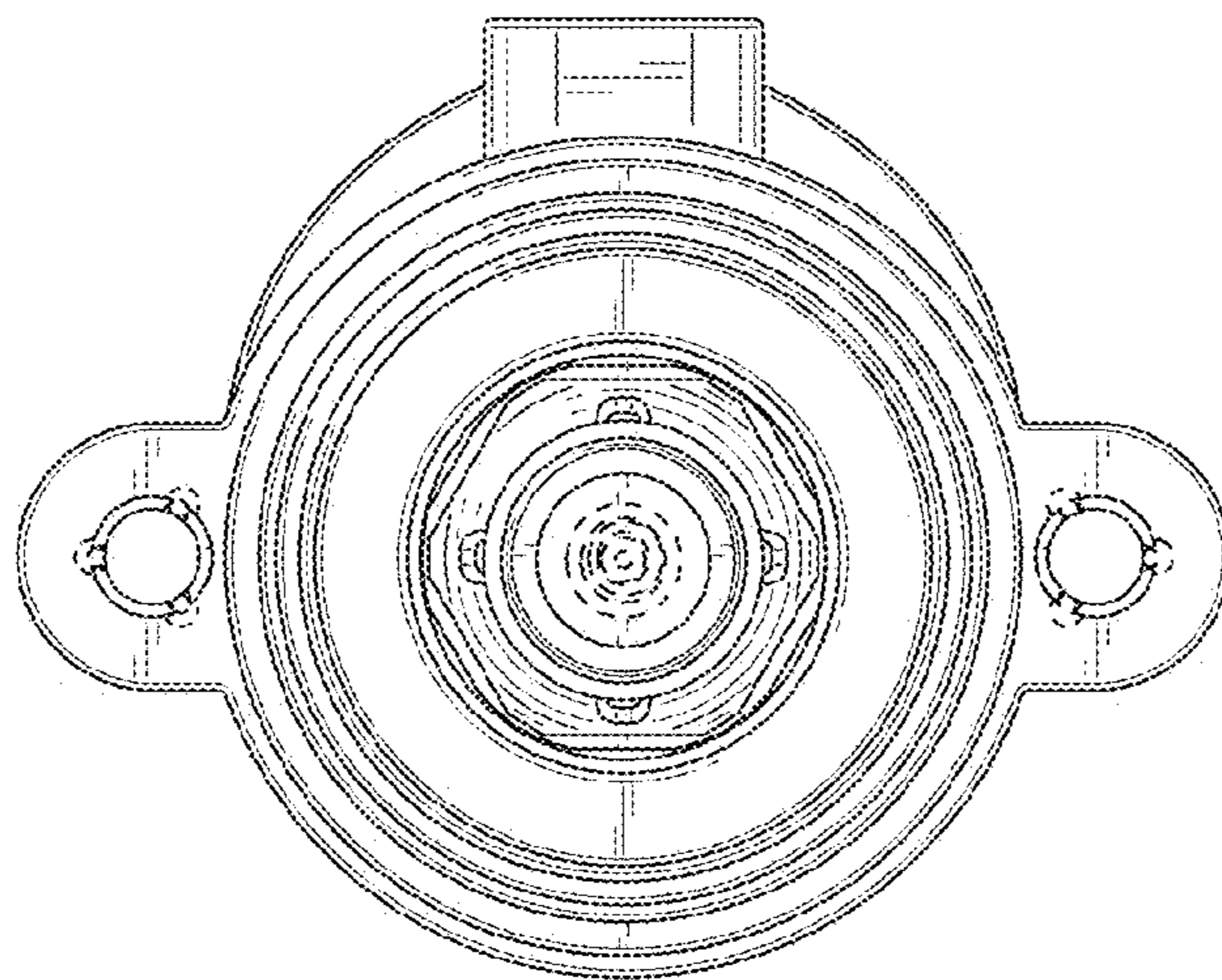


FIG. 7