



US00D726110S

(12) **United States Design Patent**
Wang et al.

(10) **Patent No.:** **US D726,110 S**
(45) **Date of Patent:** **** Apr. 7, 2015**

(54) **COMBINED STATOR AND ROTOR**

(71) Applicant: **Victory Industrial Corporation**, New Taipei (TW)

(72) Inventors: **Chun-Yuan Wang**, New Taipei (TW);
Ming-Laang Liou, New Taipei (TW)

(73) Assignee: **Victory Industrial Corporation**, New Taipei (TW)

(**) Term: **14 Years**

(21) Appl. No.: **29/500,308**

(22) Filed: **Aug. 25, 2014**

(30) **Foreign Application Priority Data**

Jul. 1, 2014 (TW) 103303886

(51) **LOC (10) Cl.** **13-01**

(52) **U.S. Cl.**
USPC **D13/122**

(58) **Field of Classification Search**
USPC D13/118, 122, 184, 199; 29/596, 732,
29/735, 736; 310/49, 68 B, 201, 263, 264
See application file for complete search history.

(56) **References Cited**

U.S. PATENT DOCUMENTS

D469,740	S	*	2/2003	Oohashi et al.	D13/118
D476,295	S	*	6/2003	Oohashi et al.	D13/118
6,661,146	B2	*	12/2003	Oohashi et al.	310/180
6,791,228	B2	*	9/2004	Hashiba et al.	310/201
D596,121	S	*	7/2009	Okamoto et al.	D13/122
2006/0123621	A1	*	6/2006	Akita et al.	29/596
2009/0096313	A1	*	4/2009	Harada et al.	310/201
2011/0001373	A1	*	1/2011	Mori et al.	310/71

* cited by examiner

Primary Examiner — Derrick Holland

(74) *Attorney, Agent, or Firm* — Clifford Perry

(57) **CLAIM**

The ornamental design for a combined stator and rotor, as shown and described.

DESCRIPTION

FIG. 1 is a perspective view of a combined stator and rotor showing our new design; FIG. 2 is a right view thereof; FIG. 3 is a left view thereof; FIG. 4 is a front view thereof; FIG. 5 is a rear view thereof; FIG. 6 is a top view thereof; and, FIG. 7 is a bottom view thereof.

1 Claim, 7 Drawing Sheets





Fig 1

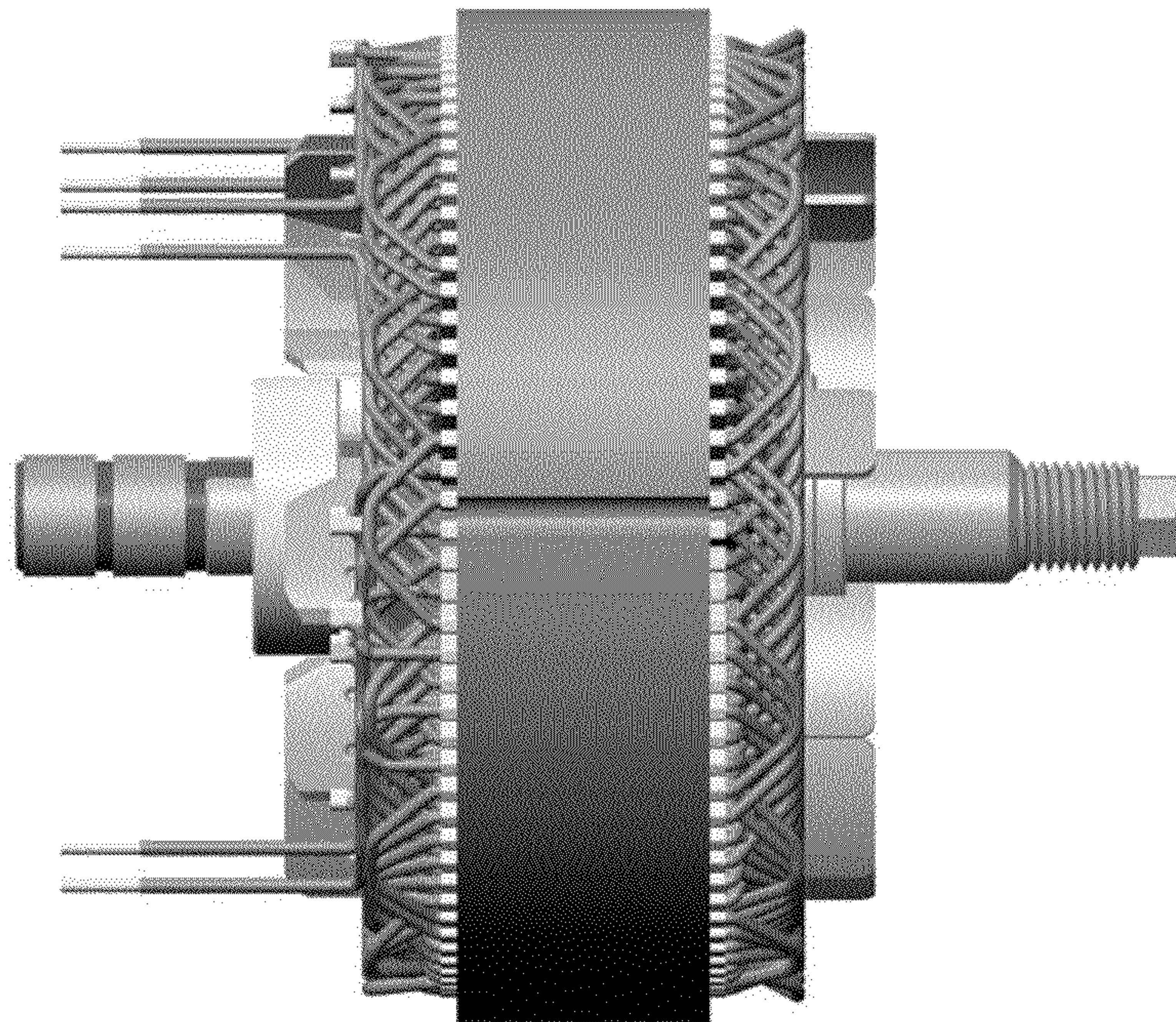


Fig 2

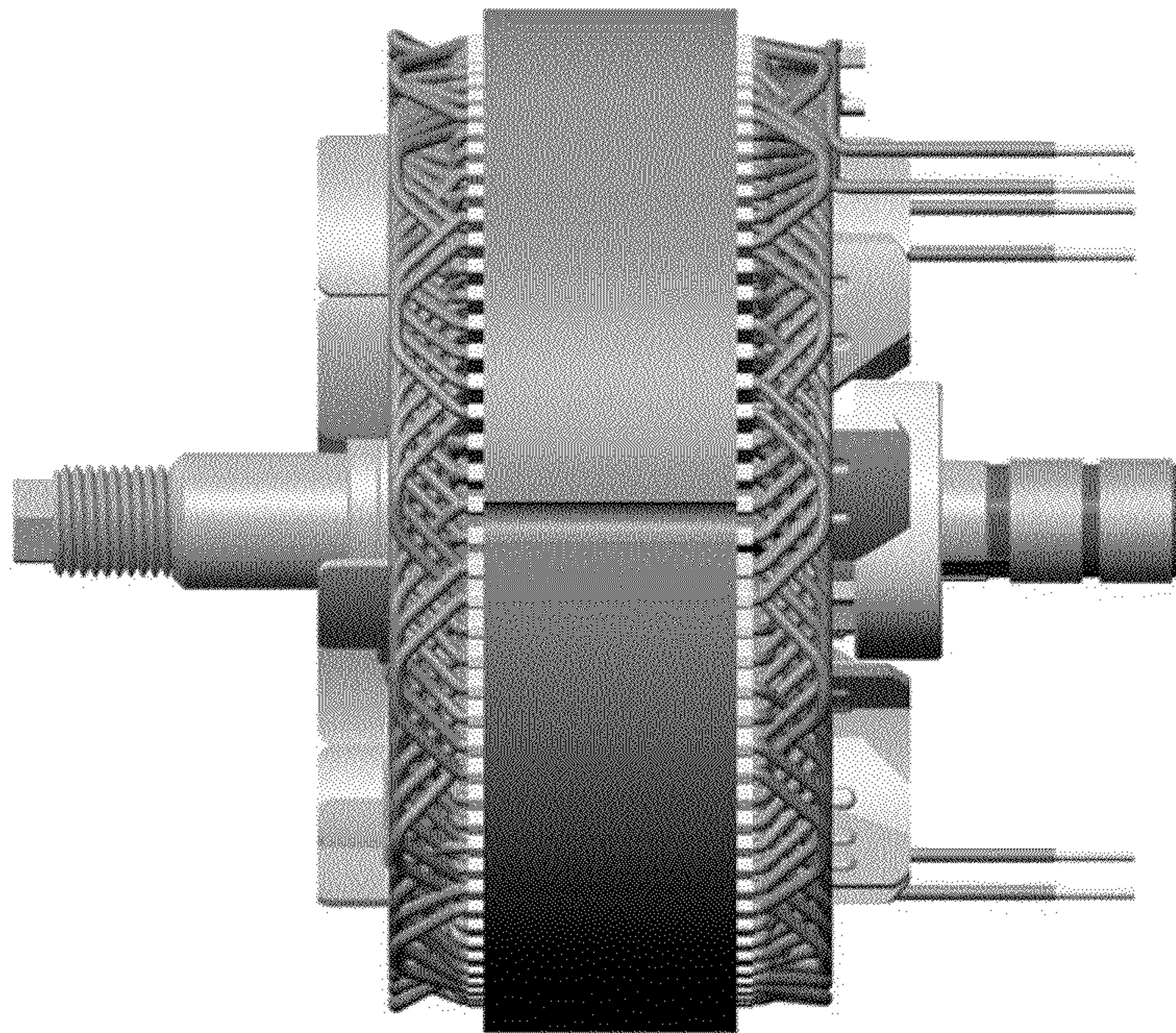


Fig 3



Fig 4



Fig 5

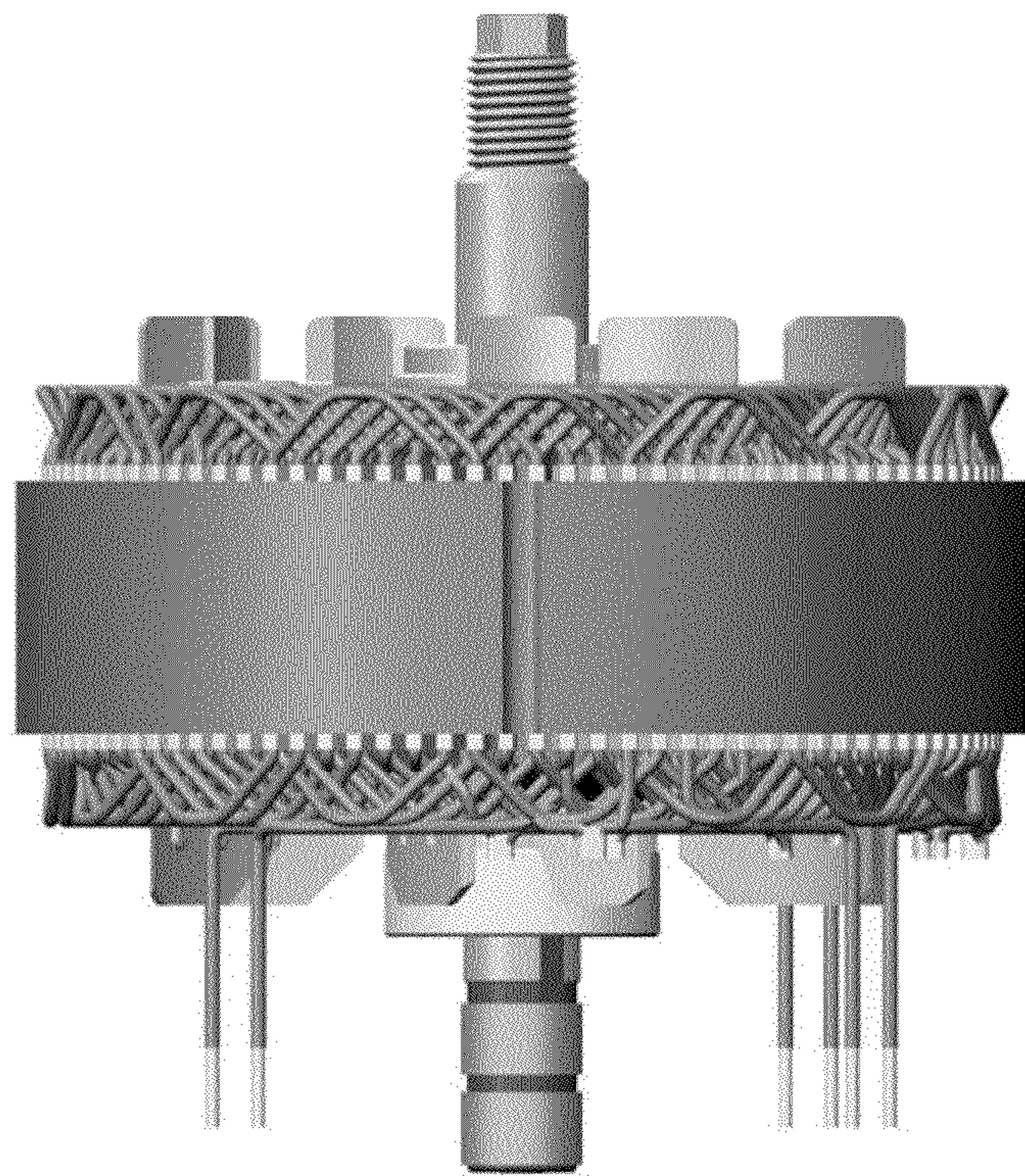


Fig 6

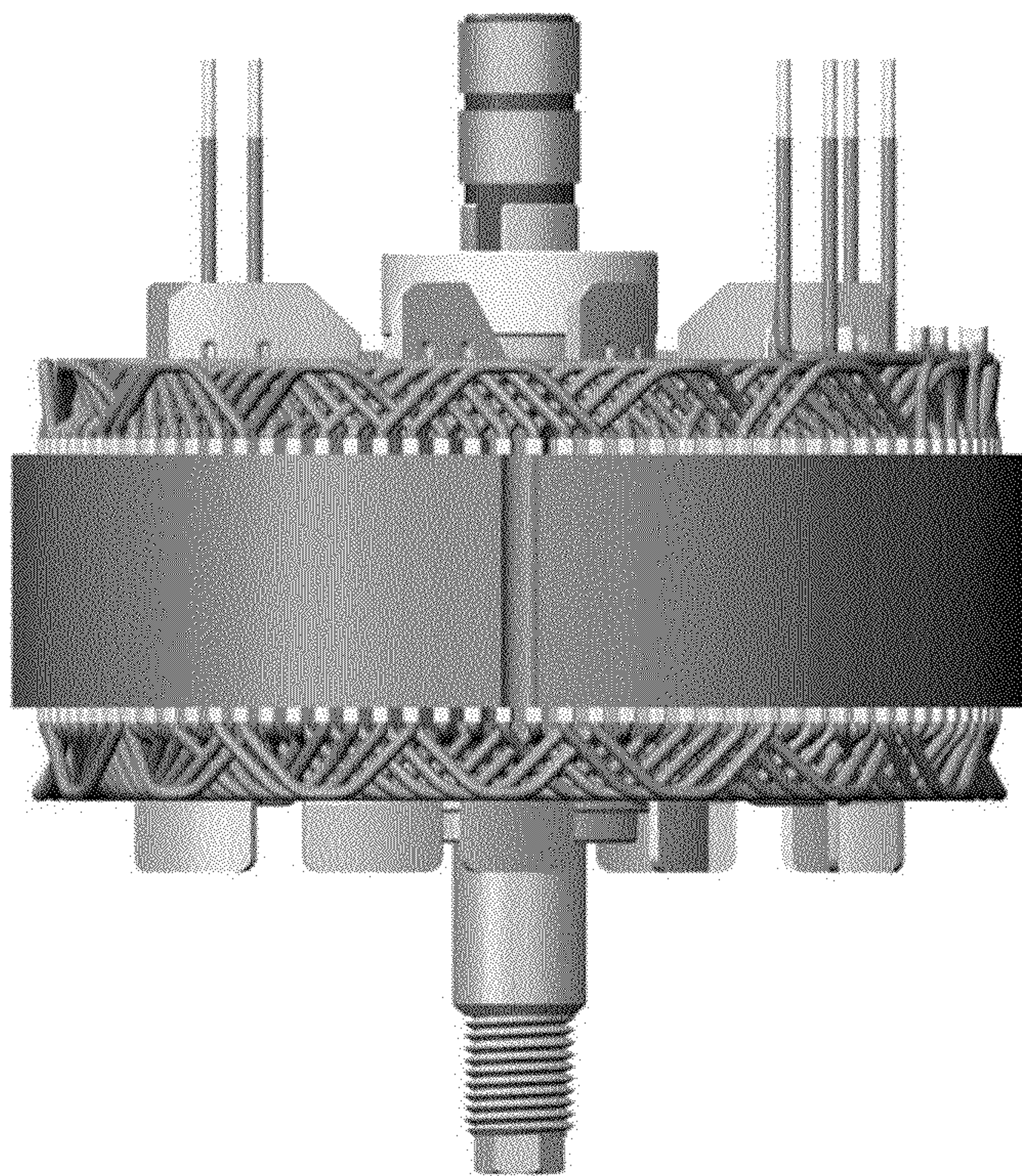


Fig 7