



US00D726109S

(12) **United States Design Patent**
Nook et al.

(10) **Patent No.:** **US D726,109 S**
(45) **Date of Patent:** **** Apr. 7, 2015**

(54) **ELECTRICAL CLAMP**
(71) Applicant: **The Noco Company**, Glenwillow, OH (US)
(72) Inventors: **Jonathan Lewis Nook**, Gates Mills, OH (US); **William Knight Nook, Sr.**, Shaker Heights, OH (US); **James Richard Stanfield**, Peoria, AZ (US); **Derek Michael Underhill**, Tempe, AZ (US)

4,826,457 A * 5/1989 Varatta 439/755
4,840,583 A * 6/1989 Moore 439/504
D304,928 S * 12/1989 Mize D13/120
4,938,712 A * 7/1990 Black 439/490
D399,729 S * 10/1998 Chen D8/395
6,254,426 B1 * 7/2001 Iacovelli et al. 439/504
D597,029 S * 7/2009 Li D13/120
7,598,699 B2 * 10/2009 Restaino et al. 320/105
D625,265 S * 10/2010 DuMelle et al. D13/120
8,342,892 B2 * 1/2013 Fan et al. 439/822
D689,020 S * 9/2013 Demirjian et al. D13/120
D718,999 S * 12/2014 Robinson et al. D8/72

(73) Assignee: **The Noco Company**, Glenwillow, OH (US)

* cited by examiner

(**) Term: **14 Years**

Primary Examiner — Derrick Holland
Assistant Examiner — Jennifer O King

(21) Appl. No.: **29/486,650**

(74) *Attorney, Agent, or Firm* — Vorys, Sater, Seymour and Pease LLP; William L. Klima

(22) Filed: **Apr. 1, 2014**

(51) **LOC (10) Cl.** **13-03**

(57) **CLAIM**

(52) **U.S. Cl.**
USPC **D13/120; D13/149**

The ornamental design for an electrical clamp, as shown and described.

(58) **Field of Classification Search**
USPC D13/107, 110, 133, 148, 149, 154, 156, D13/184, 199, 120; 439/248, 258, 274, 447, 439/504, 603, 686, 755, 822, 829, 759, 439/506; 174/74 R, 84 C; D8/72; 320/105
See application file for complete search history.

DESCRIPTION

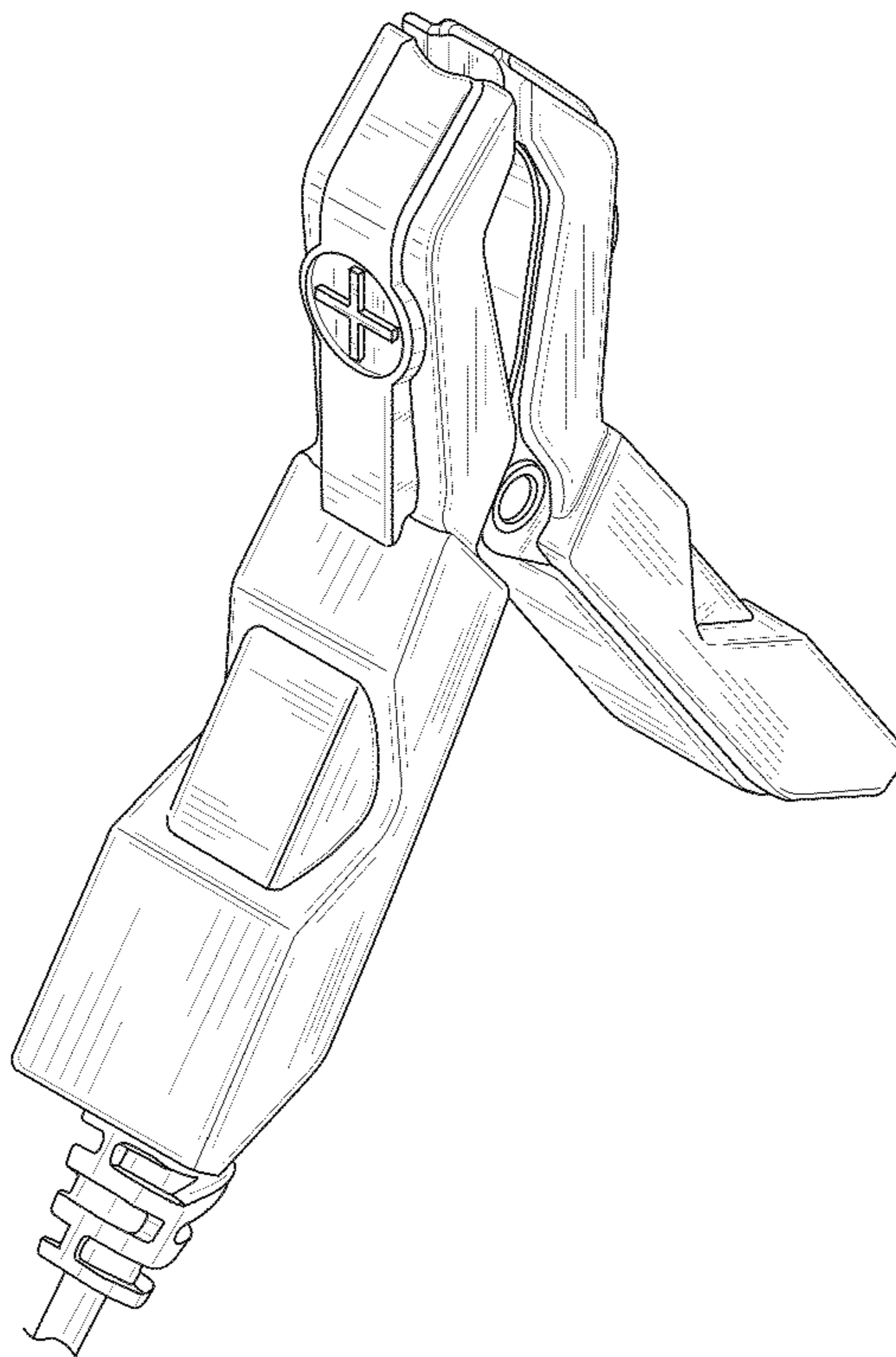
FIG. 1 is a perspective view for a electrical clamp;
FIG. 2 is a front elevational view thereof;
FIG. 3 is a rear elevational view thereof;
FIG. 4 is a right-side view thereof view;
FIG. 5 is a left-side view thereof;
FIG. 6 is a top plan view thereof; and,
FIG. 7 is a bottom plan view thereof.

(56) **References Cited**

U.S. PATENT DOCUMENTS

3,267,452 A * 8/1966 Wolf 324/437
D258,818 S * 4/1981 Johnson et al. D13/120

1 Claim, 5 Drawing Sheets



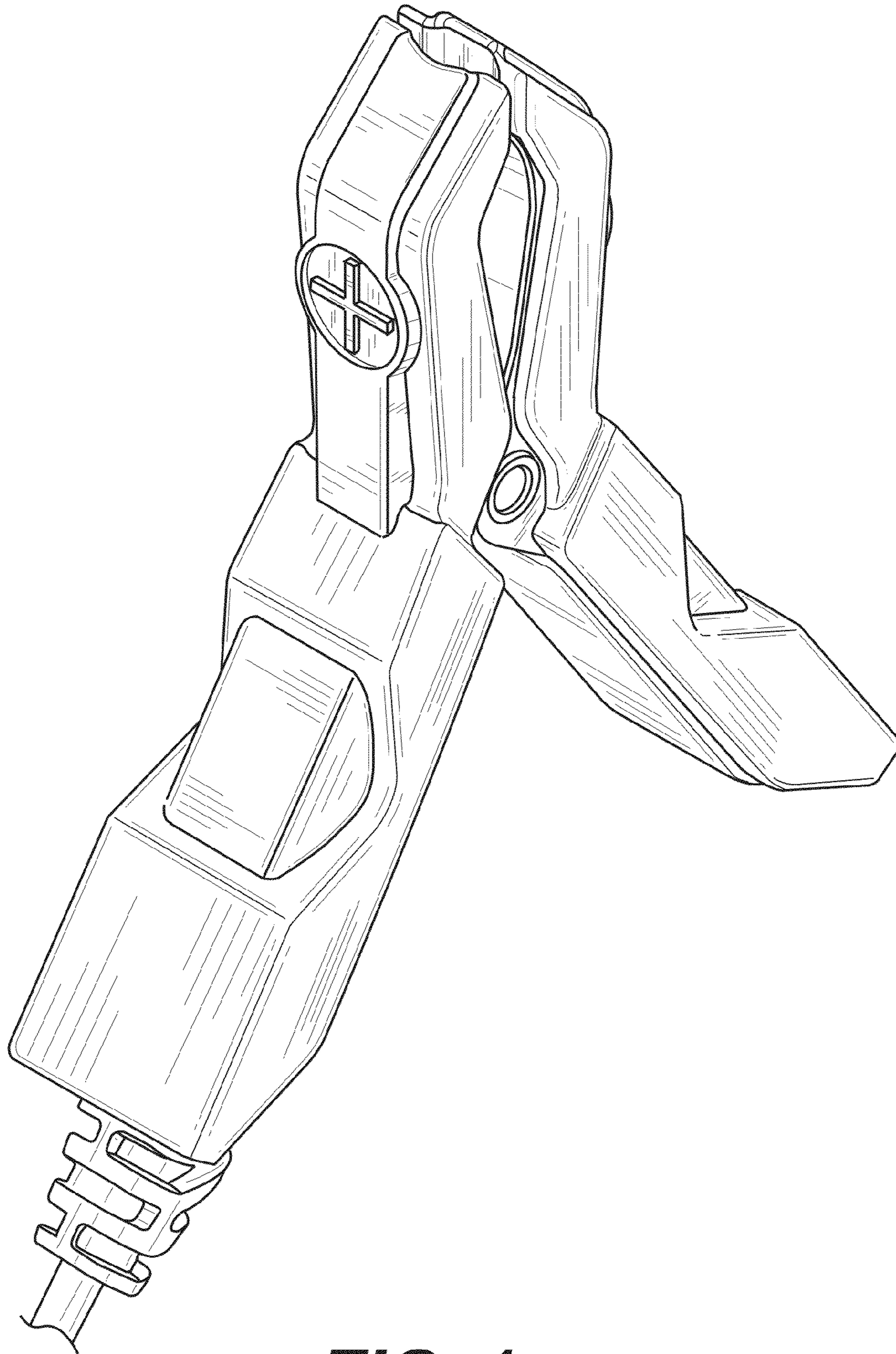


FIG. 1

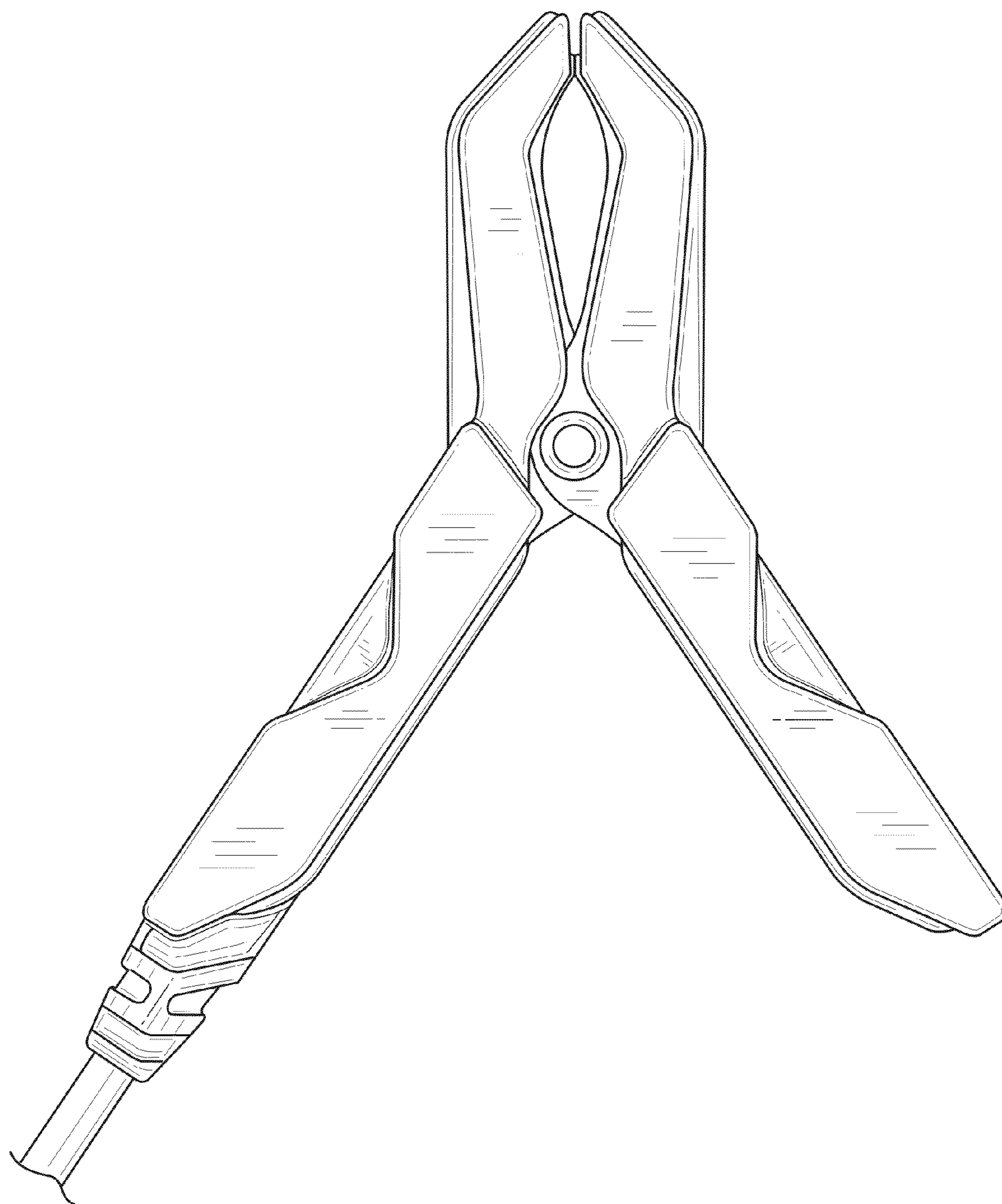


FIG. 2

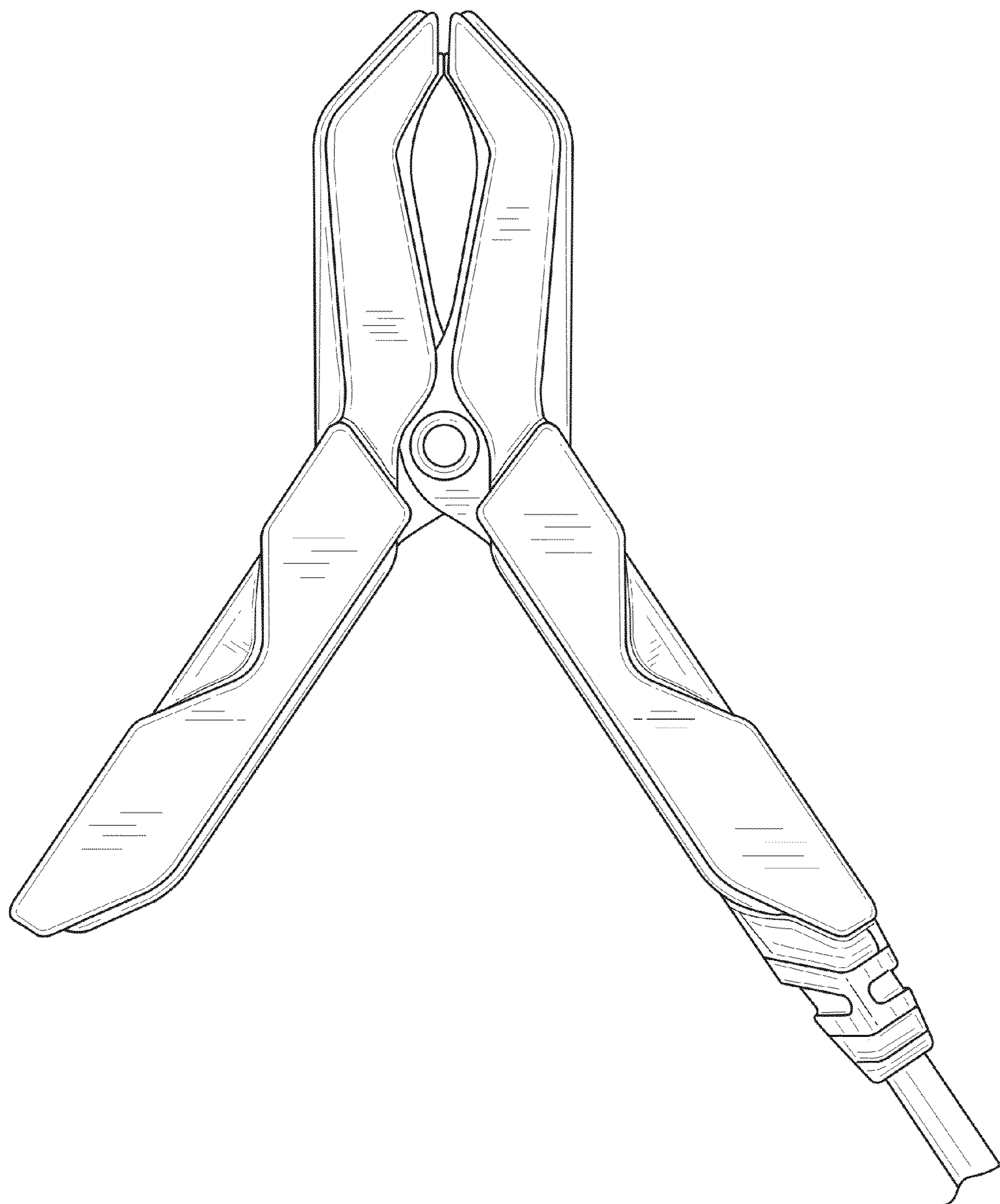


FIG. 3

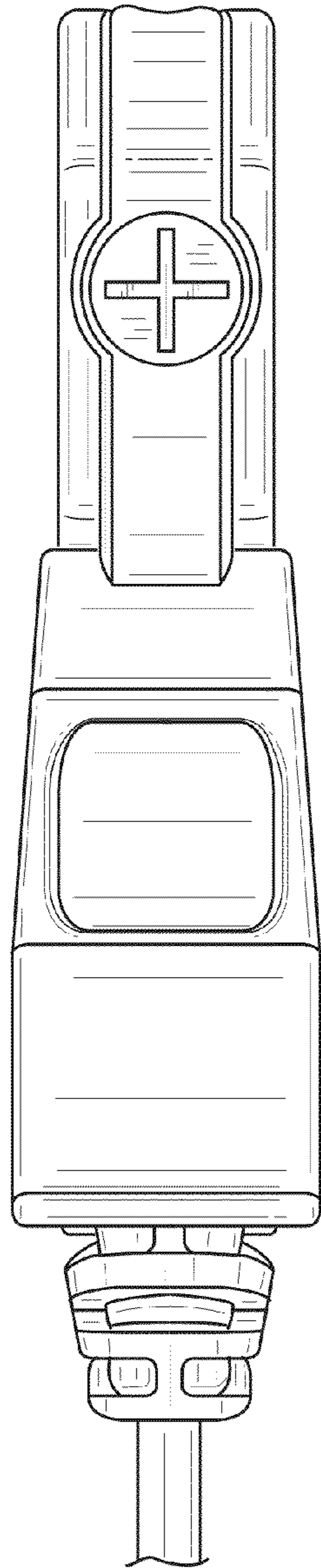


FIG. 4

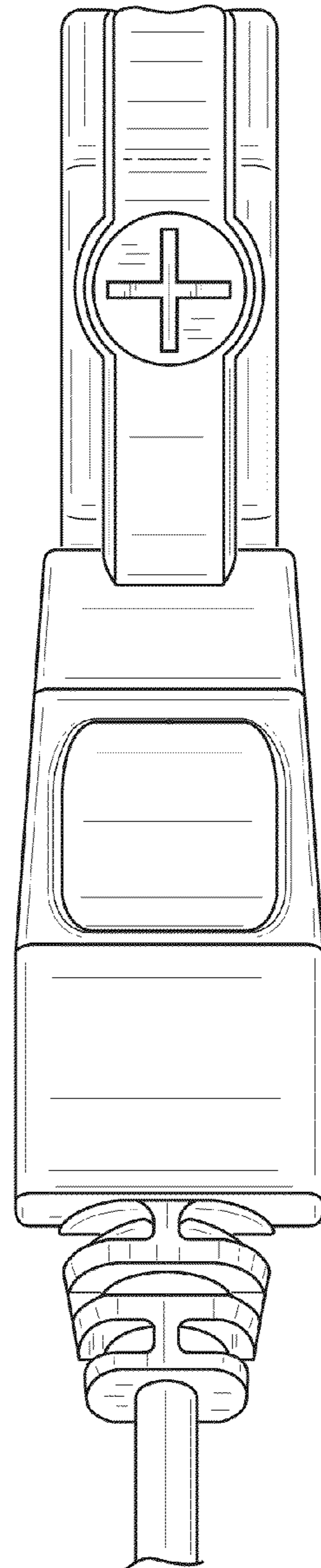


FIG. 5

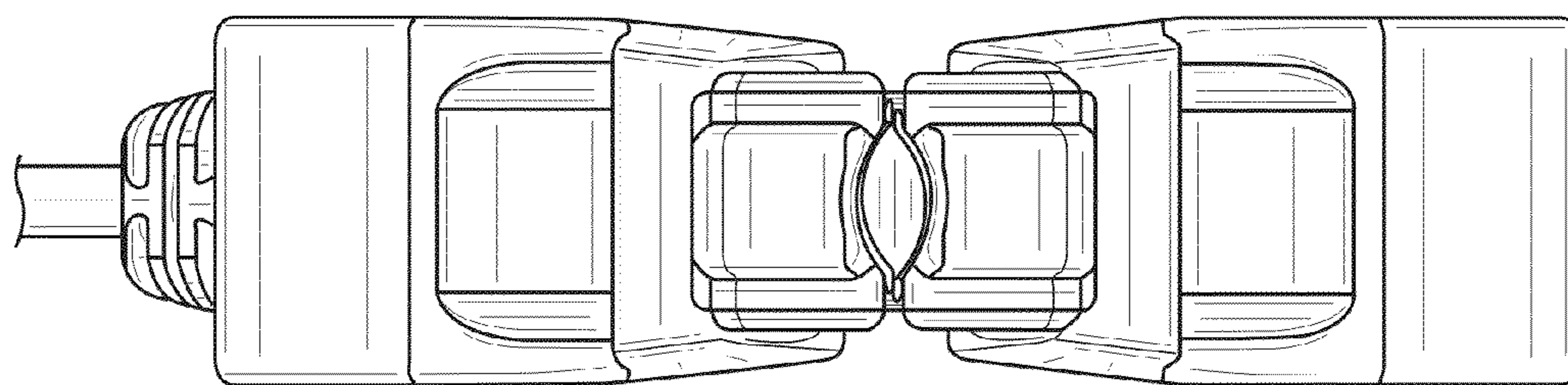


FIG. 6

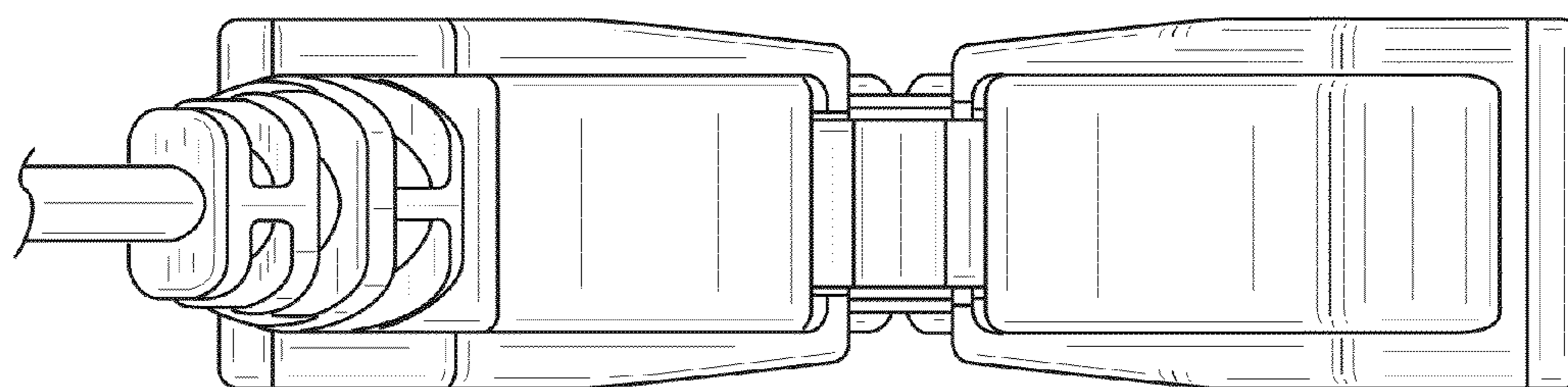


FIG. 7