



US00D726108S

(12) **United States Design Patent**
Medeiros

(10) **Patent No.:** **US D726,108 S**

(45) **Date of Patent:** **** Apr. 7, 2015**

(54) **BATTERY WITH A HANDLE**

(76) Inventor: **Mark A. Medeiros**, New Bedford, MA
(US)

(**) Term: **14 Years**

(21) Appl. No.: **29/430,366**

(22) Filed: **Aug. 24, 2012**

(51) **LOC (10) Cl.** **13-02**

(52) **U.S. Cl.**
USPC **D13/119**

(58) **Field of Classification Search**
CPC H02M 2/10-2/1016
USPC D13/103-122; 429/163, 175-179, 187
See application file for complete search history.

(56) **References Cited**

U.S. PATENT DOCUMENTS

4,562,128	A *	12/1985	Humphreys et al.	429/178
4,632,888	A *	12/1986	Kump et al.	429/187
4,634,642	A *	1/1987	Lopez-Doriga		
			Lopez-Doriga	429/121
D294,484	S *	3/1988	Kellett et al.	D13/106
4,752,543	A *	6/1988	Anderson et al.	429/179
D354,729	S *	1/1995	Poon	D13/106
D401,551	S *	11/1998	Kim	D13/106

D403,660	S *	1/1999	Poon	D13/106
6,187,474	B1 *	2/2001	Chalasan et al.	429/187
7,836,556	B1	11/2010	Medeiros		
2010/0136425	A1 *	6/2010	Gau et al.	429/187

* cited by examiner

Primary Examiner — Susan Bennett Hattan

Assistant Examiner — Brett Miller

(74) *Attorney, Agent, or Firm* — Donald J. Ersler

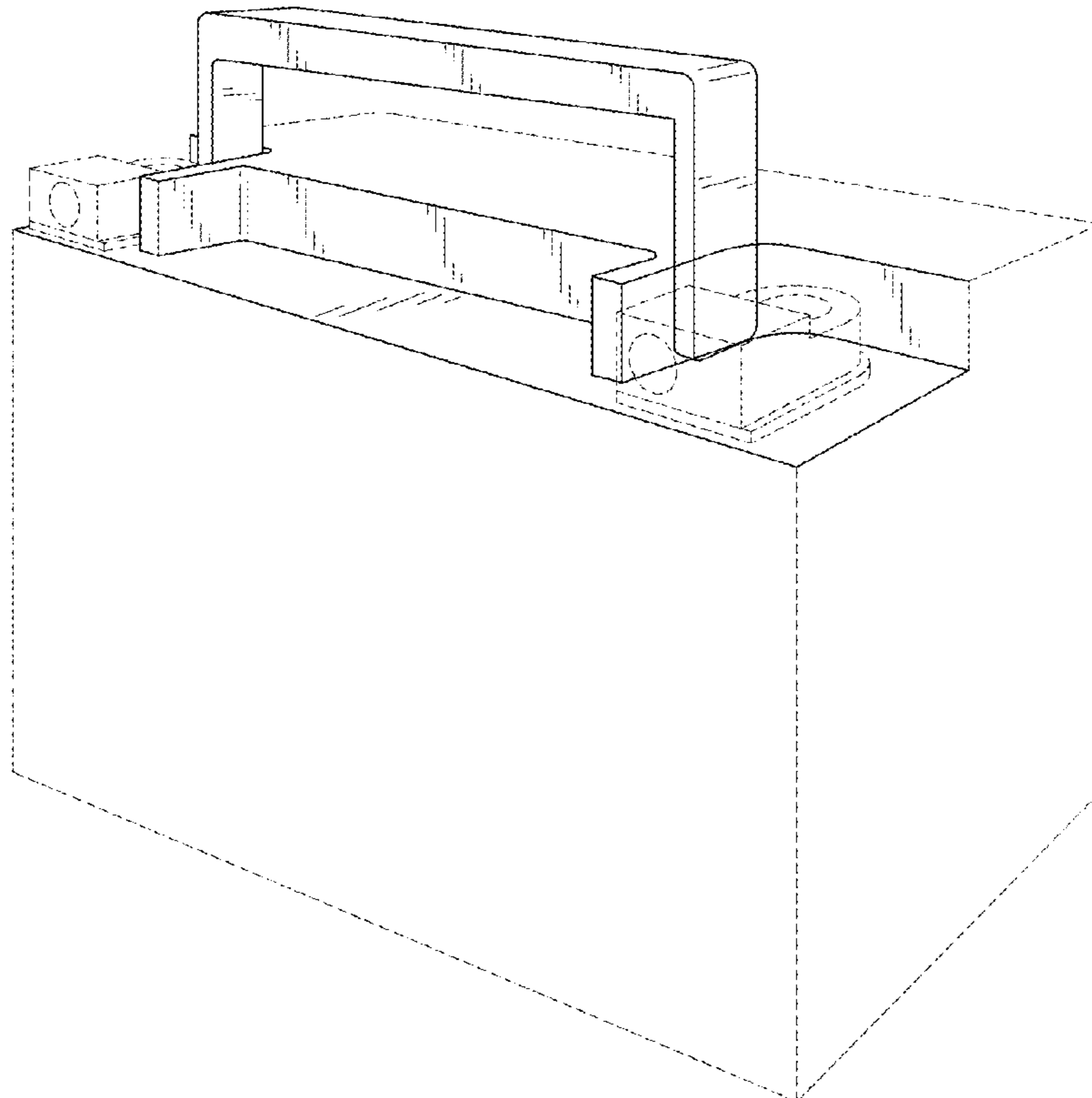
(57) **CLAIM**

The ornamental design for the battery with a handle, as shown and described.

DESCRIPTION

FIG. 1 is a top view of a battery with a handle incorporating my new design;
FIG. 2 is a right side view thereof;
FIG. 3 is a front elevation view thereof;
FIG. 4 is a perspective view with a handle in an extended position thereof; and,
FIG. 5 is a perspective view thereof.
The dashed lines in FIGS. 1-5 depict environmental subject matter and form no part of the claimed invention.

1 Claim, 3 Drawing Sheets



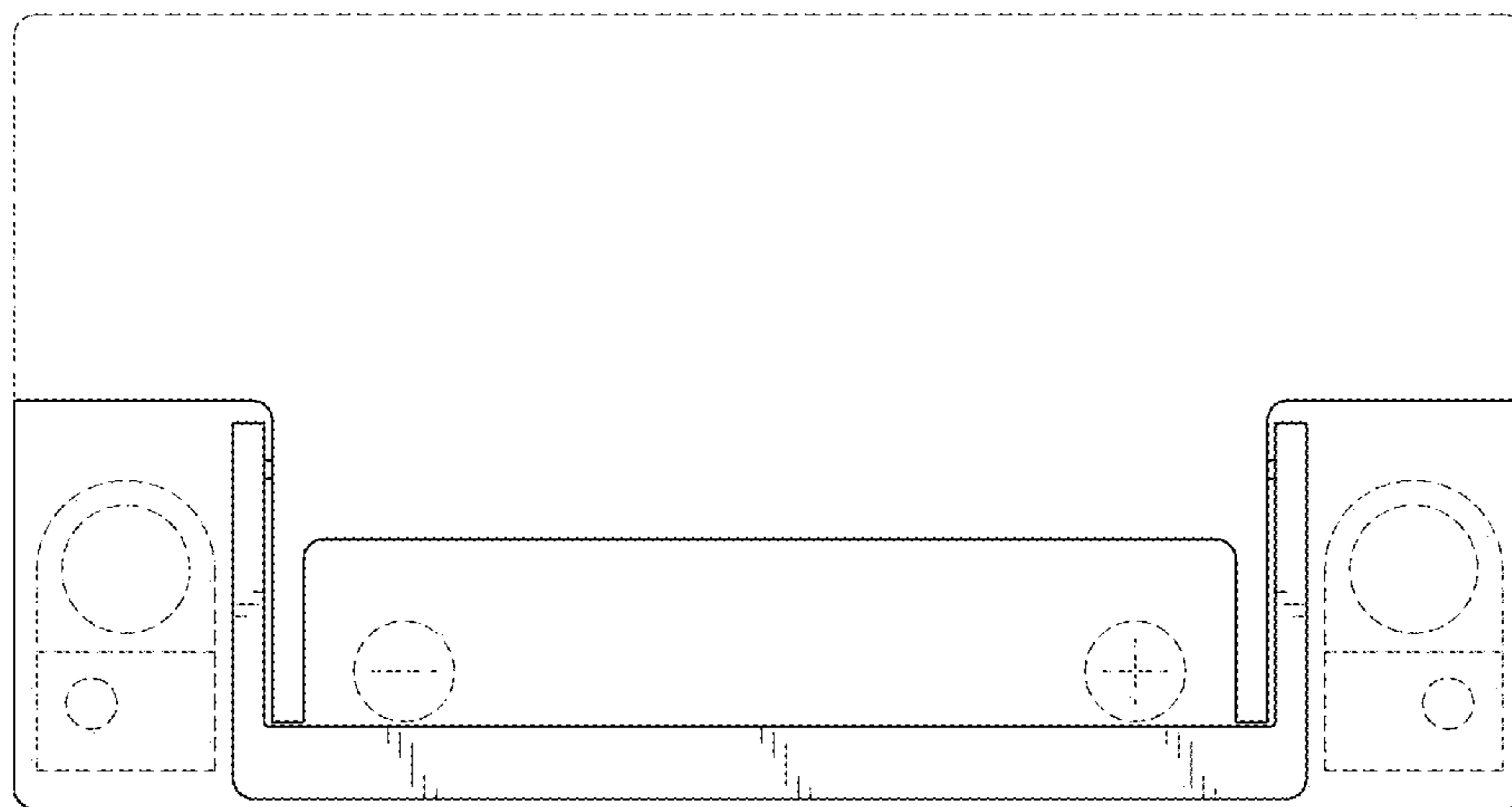


FIG. 1



FIG. 2

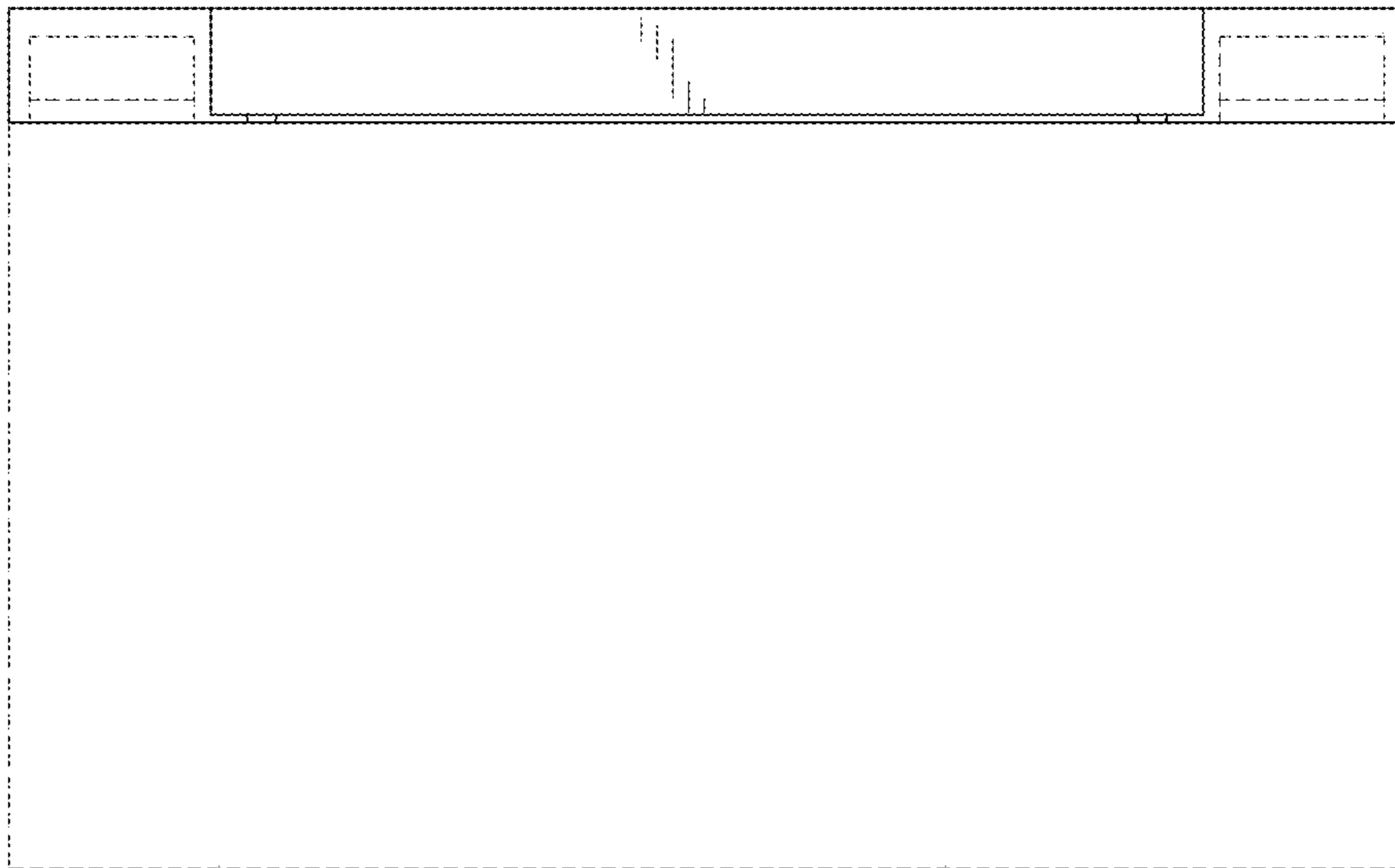


FIG. 3

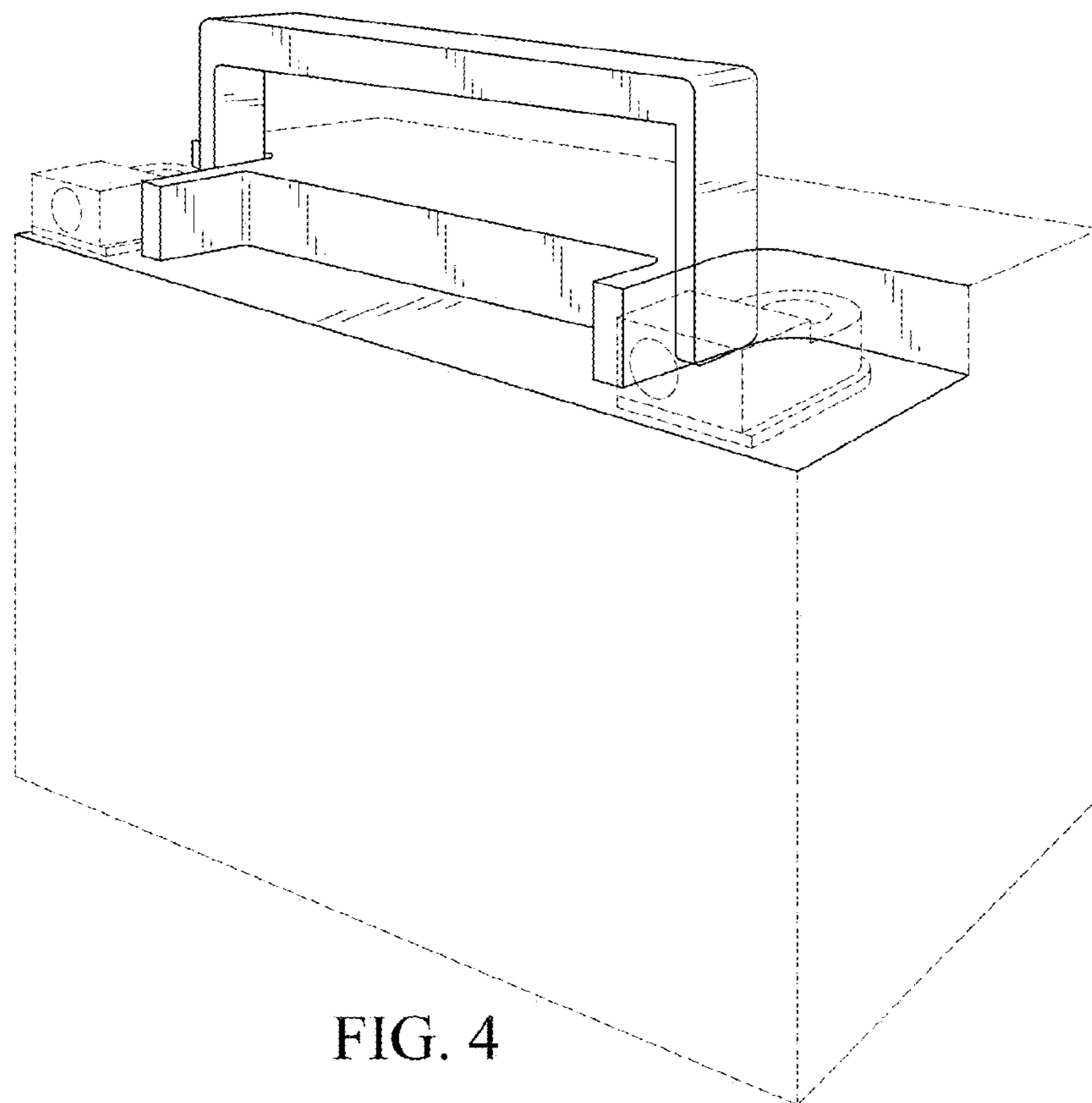


FIG. 4

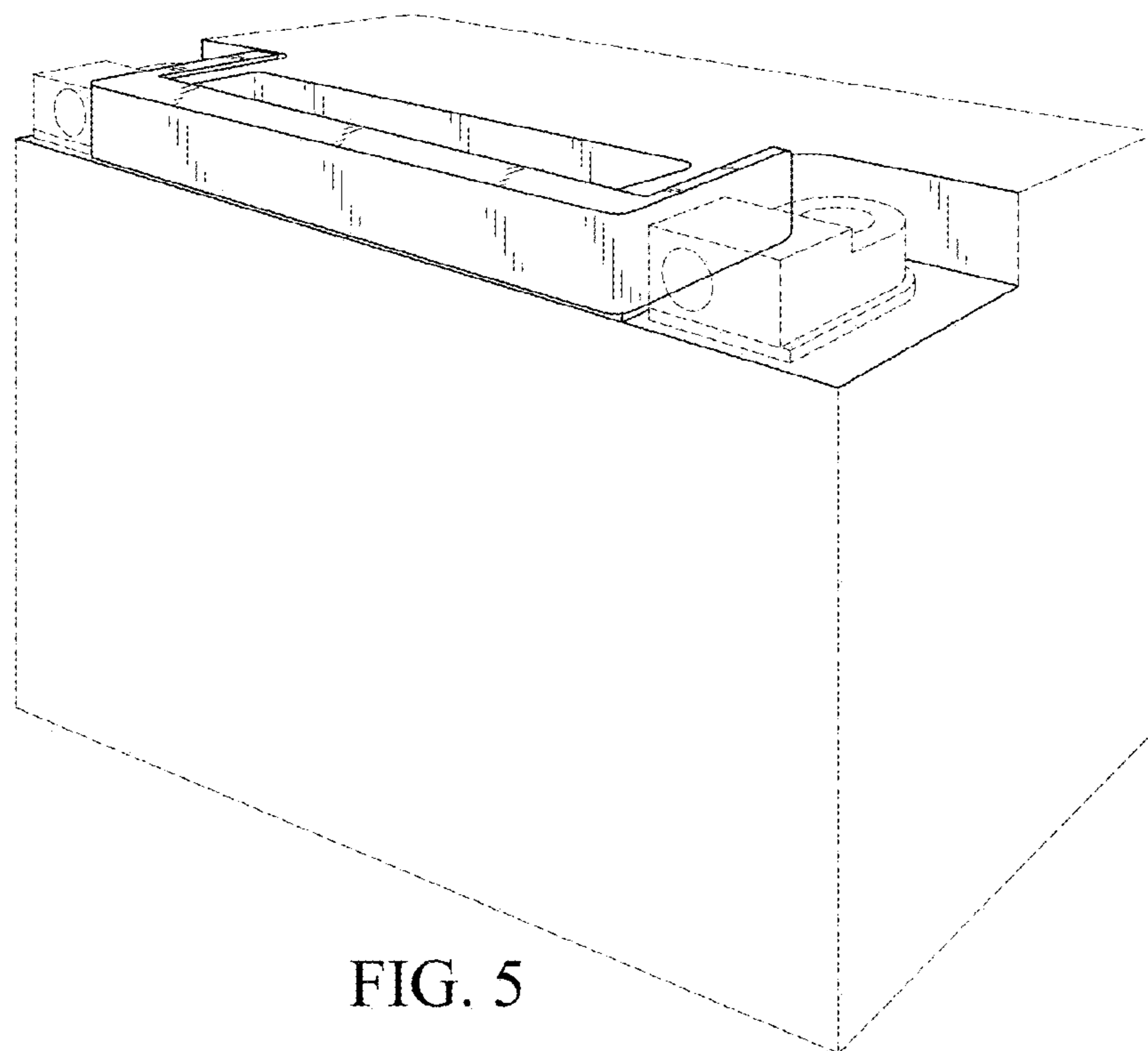


FIG. 5