



US00D726105S

(12) **United States Design Patent**
Williams

(10) **Patent No.:** **US D726,105 S**
(45) **Date of Patent:** **** Apr. 7, 2015**

- (54) **VENTURI**
- (71) Applicant: **Sabre Intellectual Property Holdings LLC**, Singerlands, NY (US)
- (72) Inventor: **Peter Williams**, Manchester (GB)
- (73) Assignee: **Sabre Intellectual Property Holdings LLC**, Slingerlands, NY (US)
- (**) Term: **14 Years**
- (21) Appl. No.: **29/461,124**
- (22) Filed: **Jul. 18, 2013**
- (51) **LOC (10) Cl.** **13-02**
- (52) **U.S. Cl.**
USPC **D13/101**
- (58) **Field of Classification Search**
USPC D13/101, 133, 184, 199; 356/432, 436, 356/437; 422/28, 37, 129, 139, 140, 141, 422/145, 236; 423/477, 478; 376/220, 228, 376/230, 347
See application file for complete search history.

- 7,077,995 B2 * 7/2006 Roensch et al. 422/37
- D540,251 S * 4/2007 Schmidt et al. D13/101
- 7,601,304 B1 * 10/2009 Palmas et al. 422/140

* cited by examiner

Primary Examiner — Derrick Holland
(74) *Attorney, Agent, or Firm* — Heslin Rothenberg Farley & Mesiti P.C.

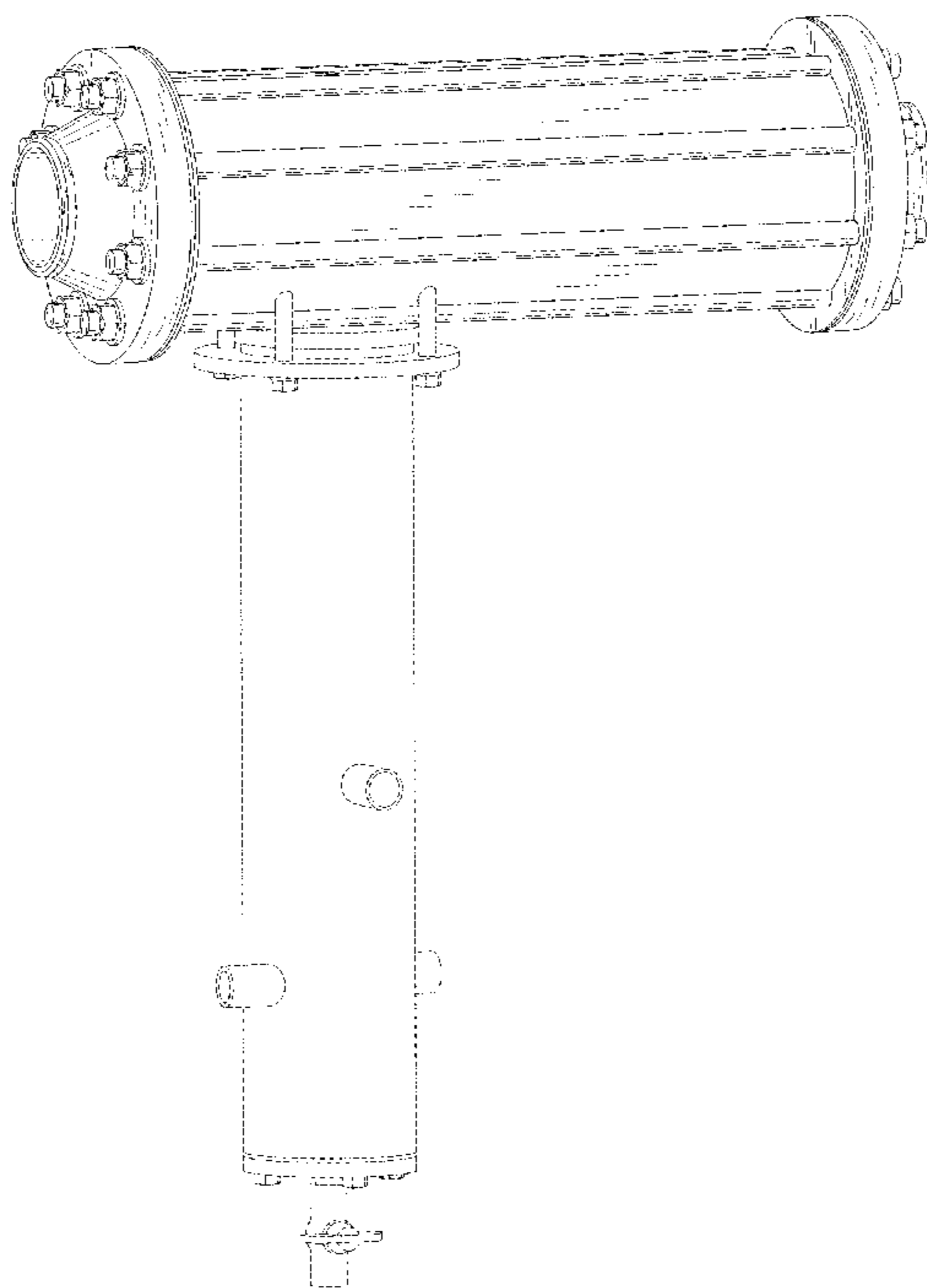
(57) **CLAIM**
The ornamental design for a venturi, as shown and described.

DESCRIPTION

FIG. 1 is a perspective view of a venturi showing a first embodiment of our new design.
 FIG. 2 is a front elevational view thereof;
 FIG. 3 is back elevational view thereof;
 FIG. 4 is a side elevational view from one side of the venturi shown in FIG. 1;
 FIG. 5 is a side elevational view from the other side of the venturi shown in FIG. 1;
 FIG. 6 is a top plan view thereof;
 FIG. 7 is a bottom plan view thereof;
 FIG. 8 is a cross-sectional front elevational view thereof, taken along a line 8-8 in a direction of arrows of FIG. 6;
 FIG. 9 is a cross-sectional front elevational view of a venturi showing a second embodiment of our new design, taken along a line 8-8 in a direction of arrows of FIG. 6;
 FIG. 10 is a cross-sectional front elevational view of a venturi showing a third embodiment of our new design, taken along a line 8-8 in a direction of arrows of FIG. 6; and,
 FIG. 11 is an exploded view of the venturi of FIGS. 1-8.
 The broken lines shown represent unclaimed subject matter and form no part of the claimed design.

- (56) **References Cited**
U.S. PATENT DOCUMENTS
- 1,968,940 A * 8/1934 Gross 392/342
- D222,263 S * 10/1971 De Sio D13/133
- 3,959,072 A * 5/1976 Dupen 376/237
- 4,247,531 A * 1/1981 Hicks 423/477
- D312,445 S * 11/1990 Crosby D13/101
- 6,304,327 B1 * 10/2001 Campbell et al. 356/437
- 6,468,479 B1 10/2002 Mason et al.

1 Claim, 11 Drawing Sheets



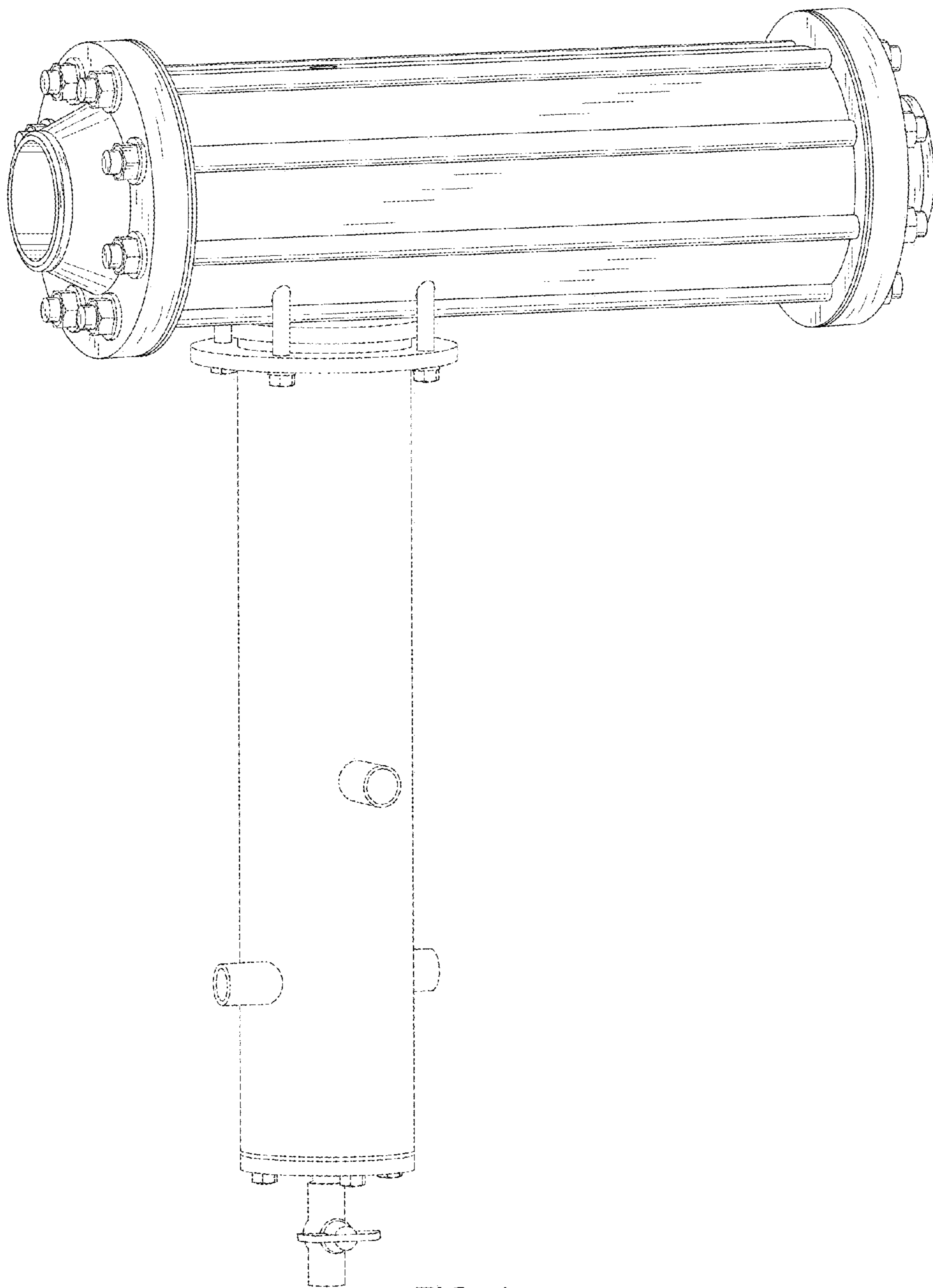


FIG. 1

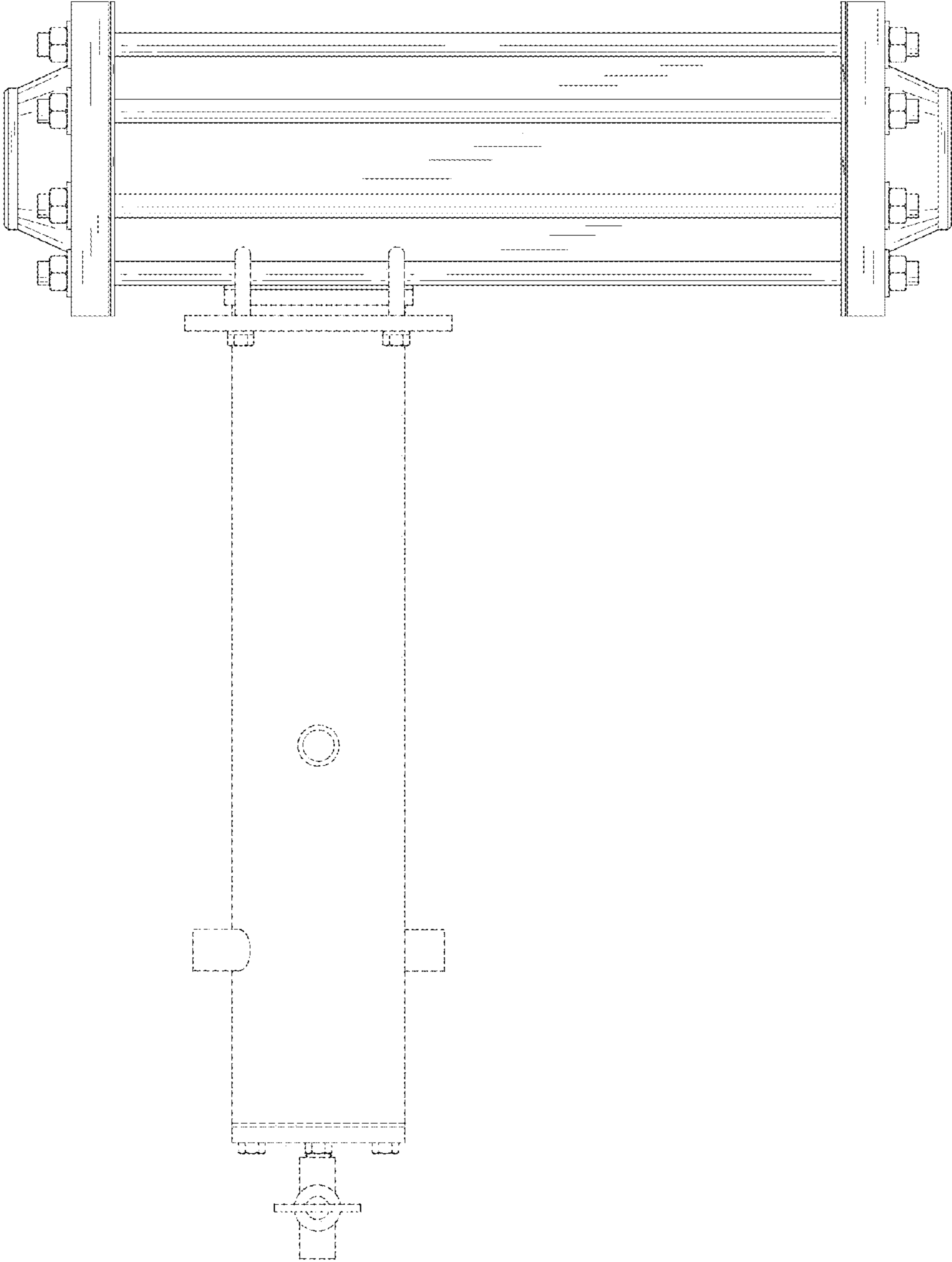


FIG. 2

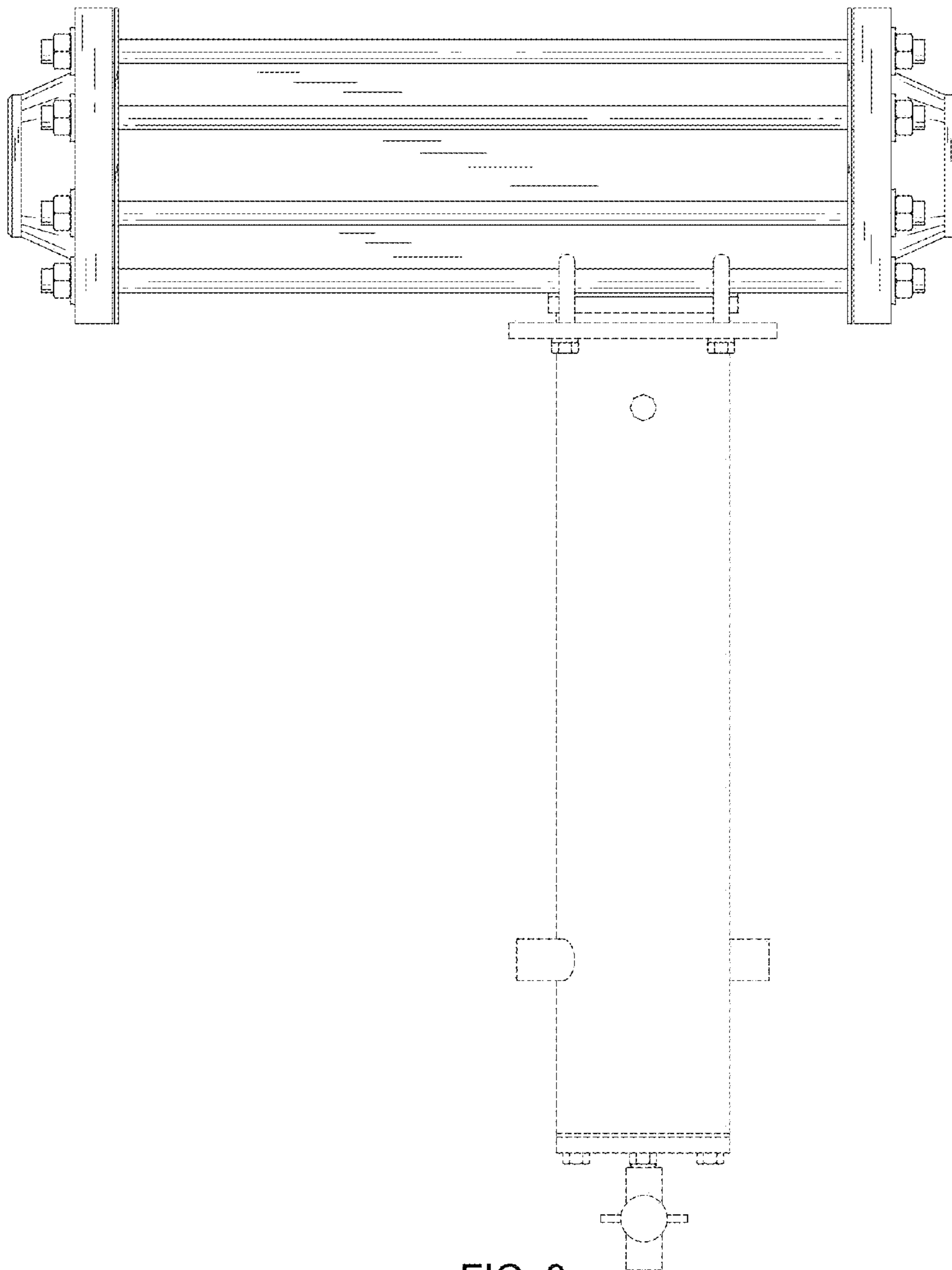


FIG. 3

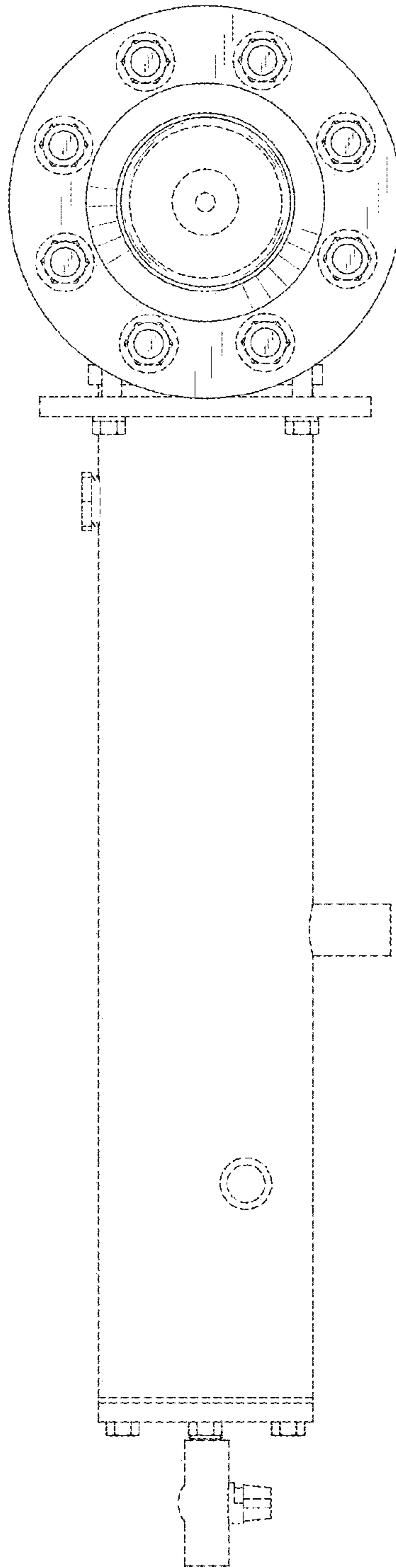


FIG. 4

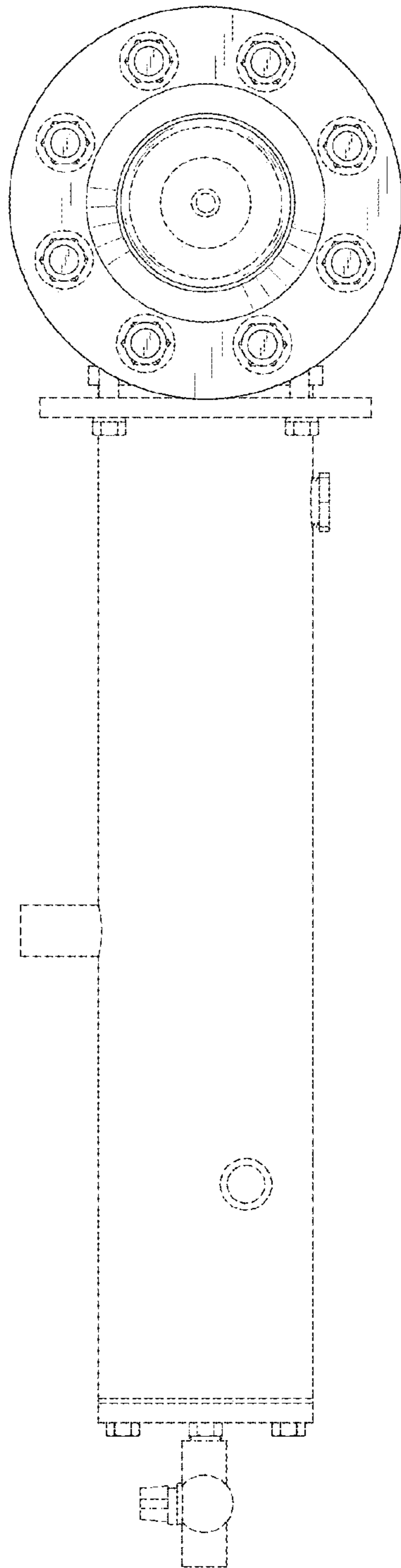


FIG. 5

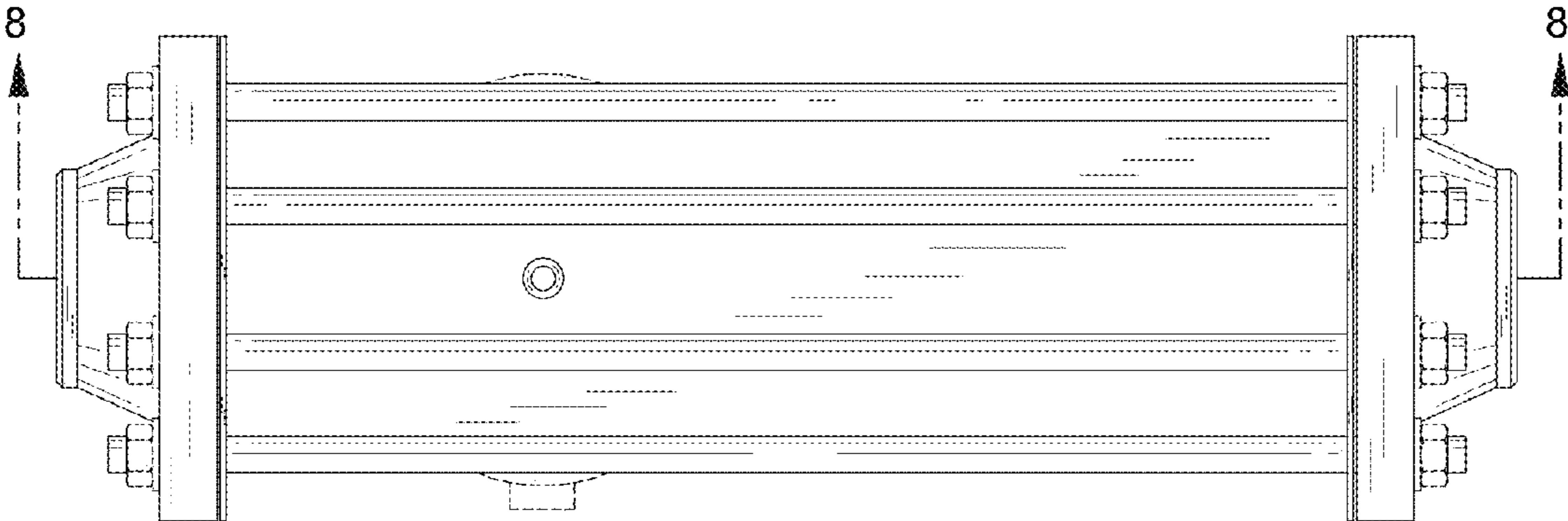


FIG. 6

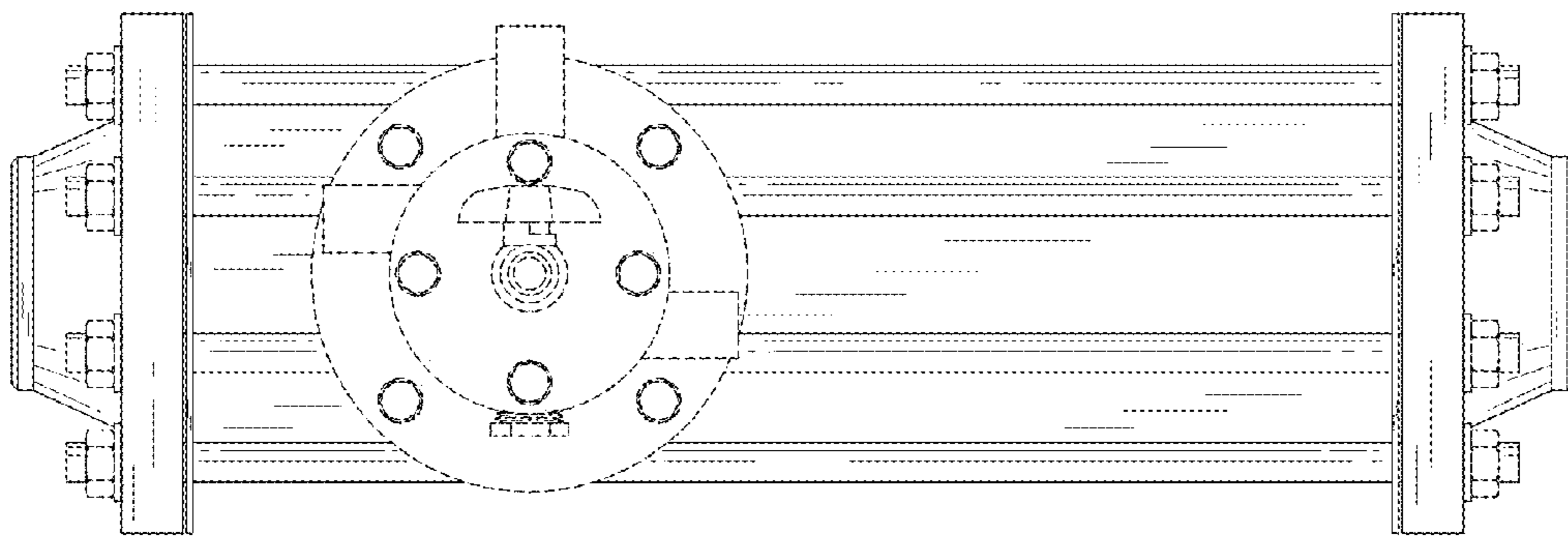
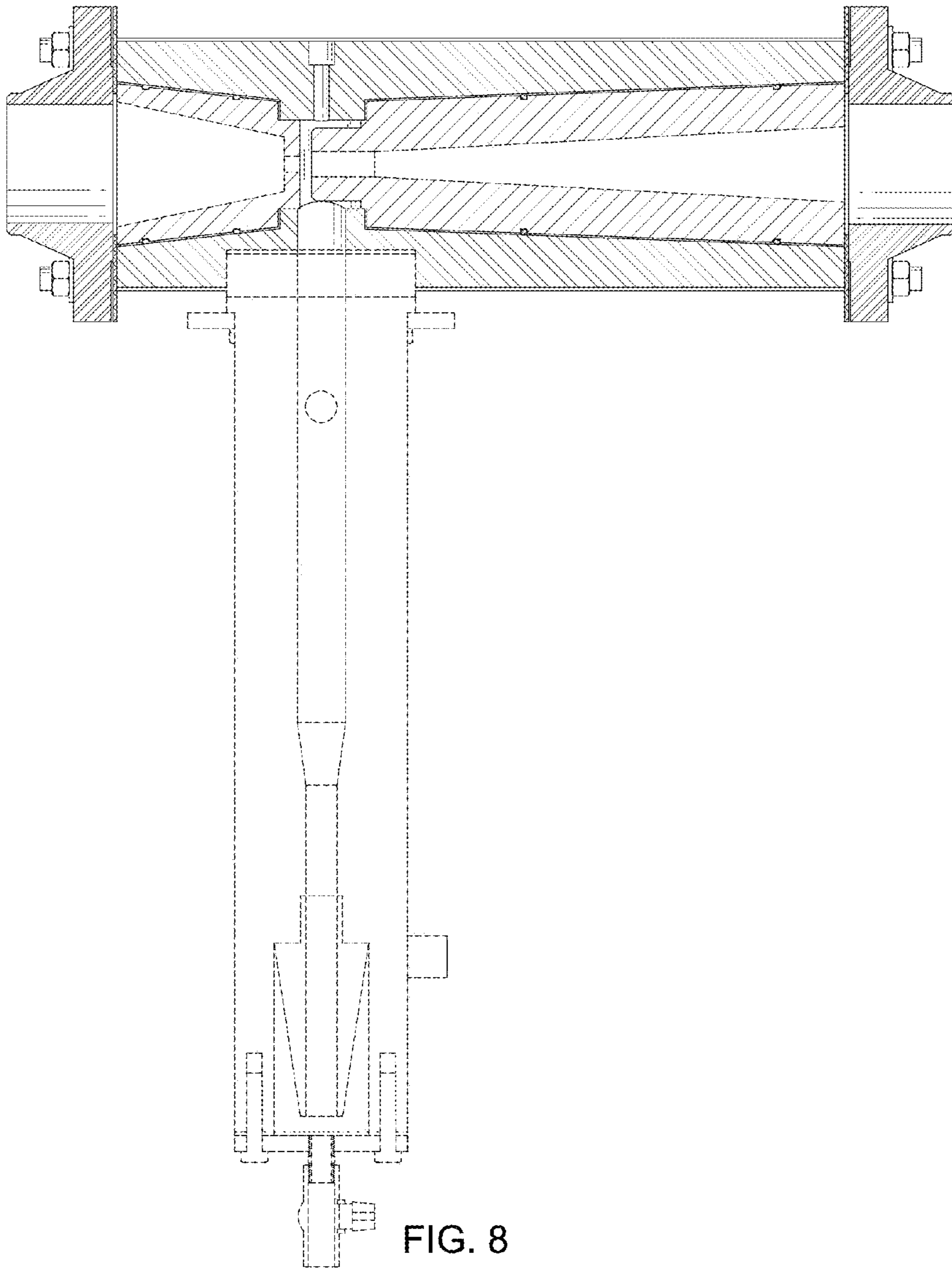


FIG. 7



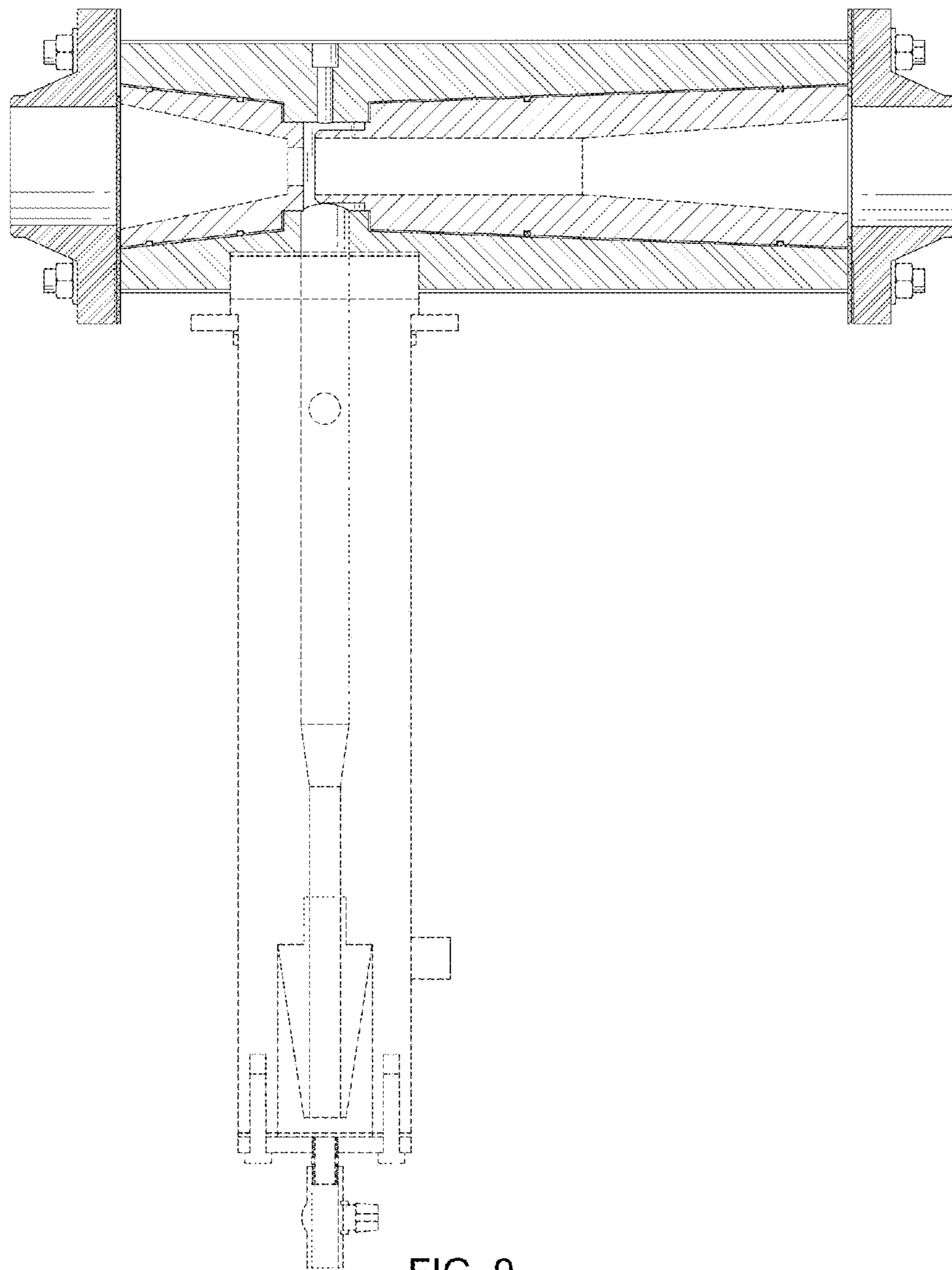


FIG. 9

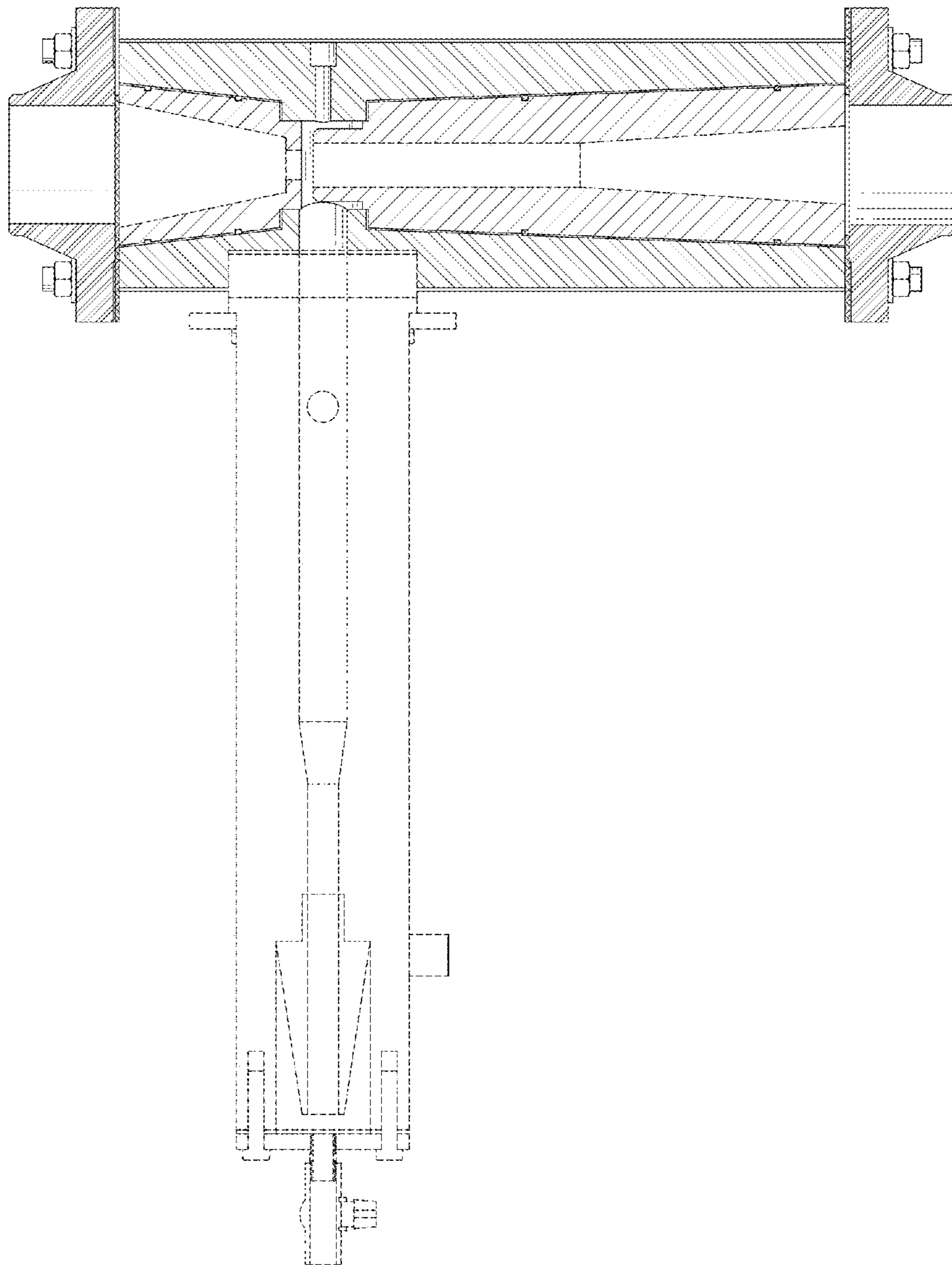


FIG. 10

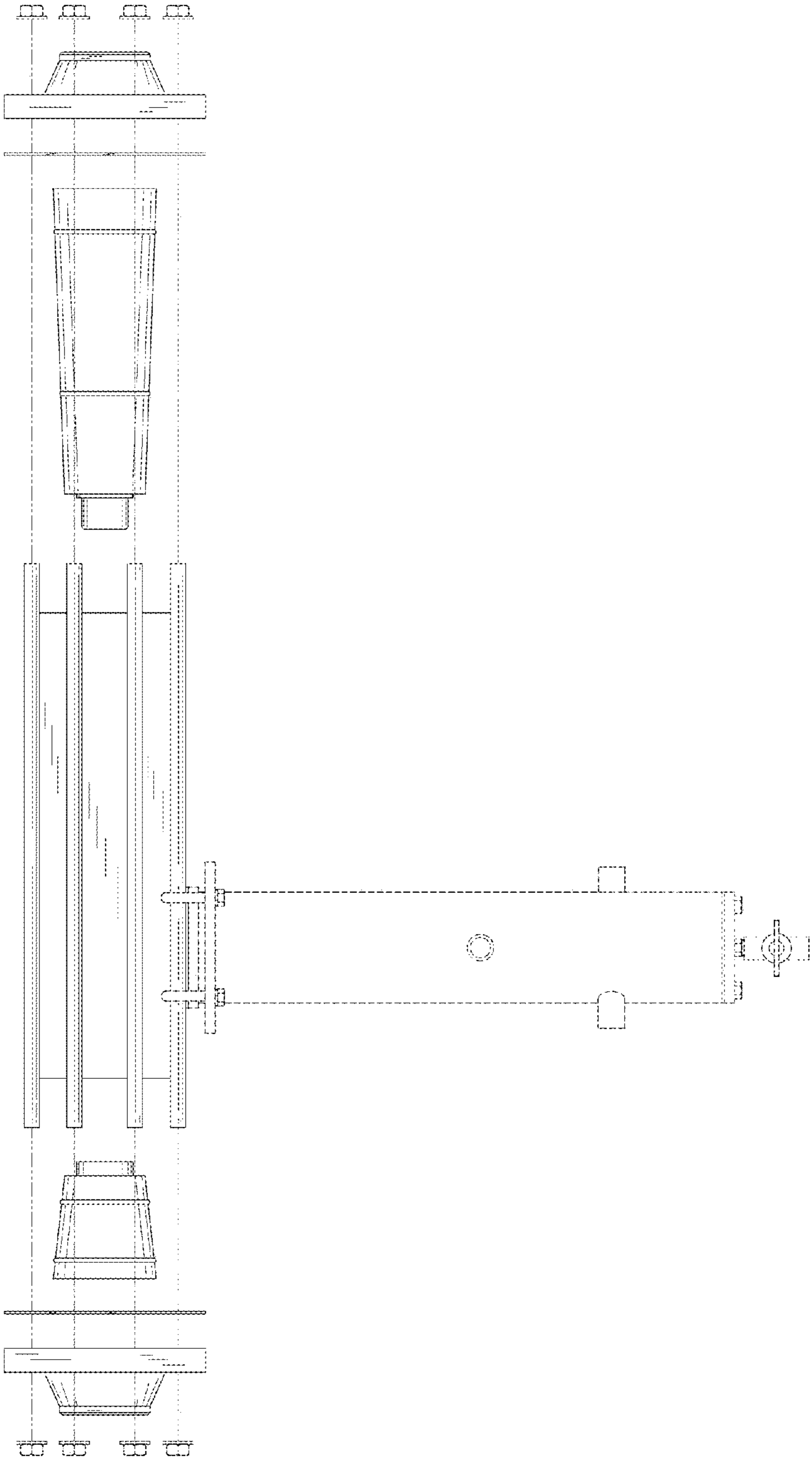


FIG. 11