



US00D726097S

(12) **United States Design Patent**
Hodges

(10) **Patent No.:** **US D726,097 S**

(45) **Date of Patent:** **** Apr. 7, 2015**

(54) **ELECTRIC TABLE WITH HIDDEN BOTTLES**

(71) Applicant: **Frank J. Hodges**, Corona, CA (US)

(72) Inventor: **Frank J. Hodges**, Corona, CA (US)

(**) Term: **14 Years**

(21) Appl. No.: **29/447,513**

(22) Filed: **Mar. 4, 2013**

(51) **LOC (10) Cl.** **12-16**

(52) **U.S. Cl.**
USPC **D12/419**

(58) **Field of Classification Search**
USPC D12/415-425, 191, 106, 400, 195, 345,
D12/96, 99; 312/246; 296/97.1-97.8, 70,
296/24.1-24.3, 24.32; 224/311, 539, 281,
224/118.1

See application file for complete search history.

(56) **References Cited**

U.S. PATENT DOCUMENTS

D576,821 S * 9/2008 Fissette et al. D6/429
D634,698 S * 3/2011 Saint-Jalmes et al. D12/423
7,966,952 B2 * 6/2011 Fissette et al. 108/166

D677,212 S * 3/2013 Schrag D12/415
D677,213 S * 3/2013 Robinson et al. D12/415
D696,181 S * 12/2013 Martin et al. D12/415
8,678,312 B2 * 3/2014 Headrick et al. 244/118.6

* cited by examiner

Primary Examiner — Katrina A Betton

(74) *Attorney, Agent, or Firm* — Eric B. Alspaugh

(57) **CLAIM**

The ornamental design for a electric table with hidden bottles, as shown and described.

DESCRIPTION

FIG. 1 is an oblique view of a electric table with hidden bottles showing my new design with the table in the closed position;

FIG. 2 is an oblique view thereof with the table in the open position;

FIG. 3 is a front side view thereof;

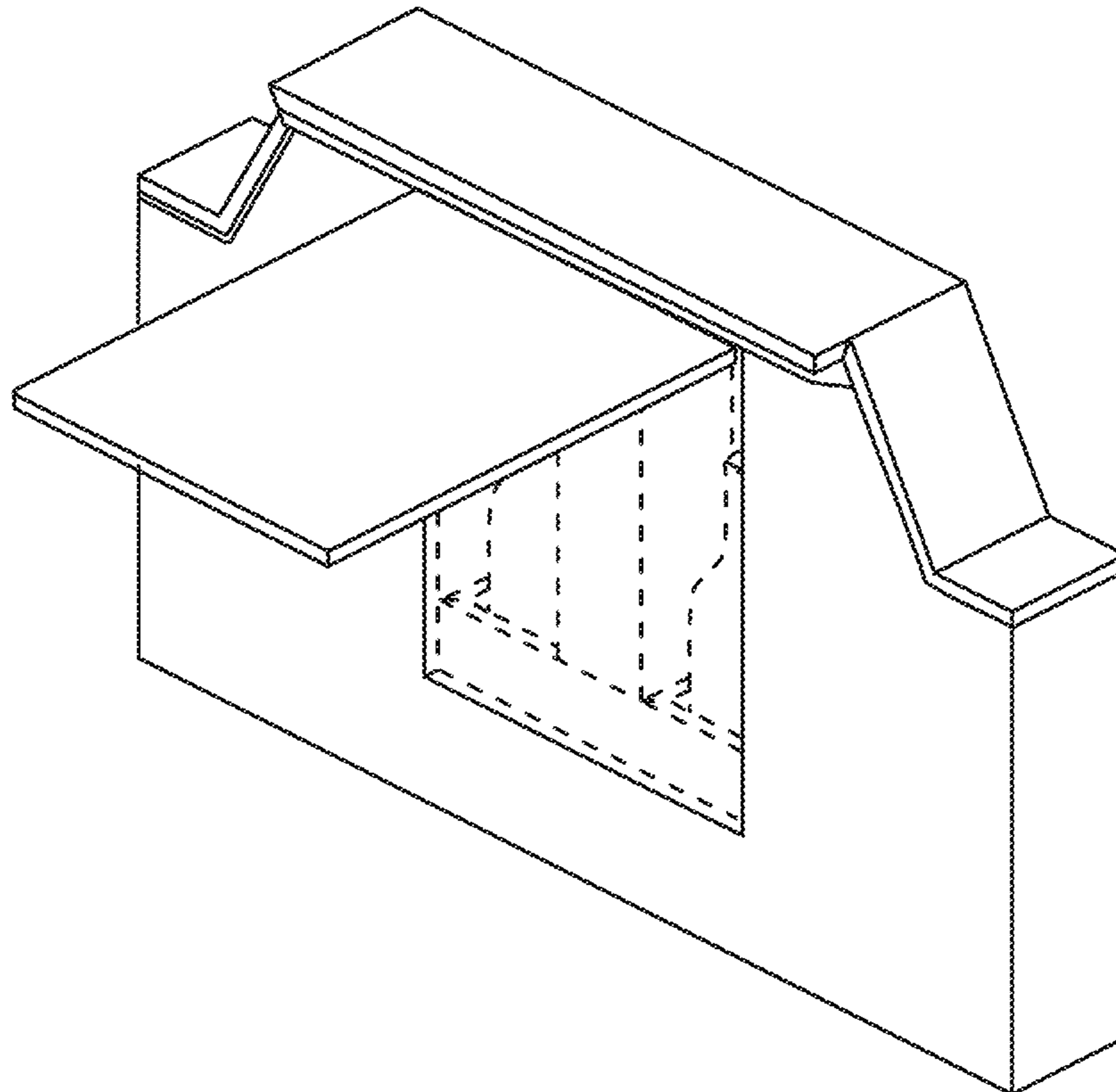
FIG. 4 is a left side view thereof;

FIG. 5 is a right side view thereof; and,

FIG. 6 is a top view thereof with the table in the open position.

The broken lines shown in the drawings are for illustrative purposes only and form no part of the claimed design.

1 Claim, 6 Drawing Sheets



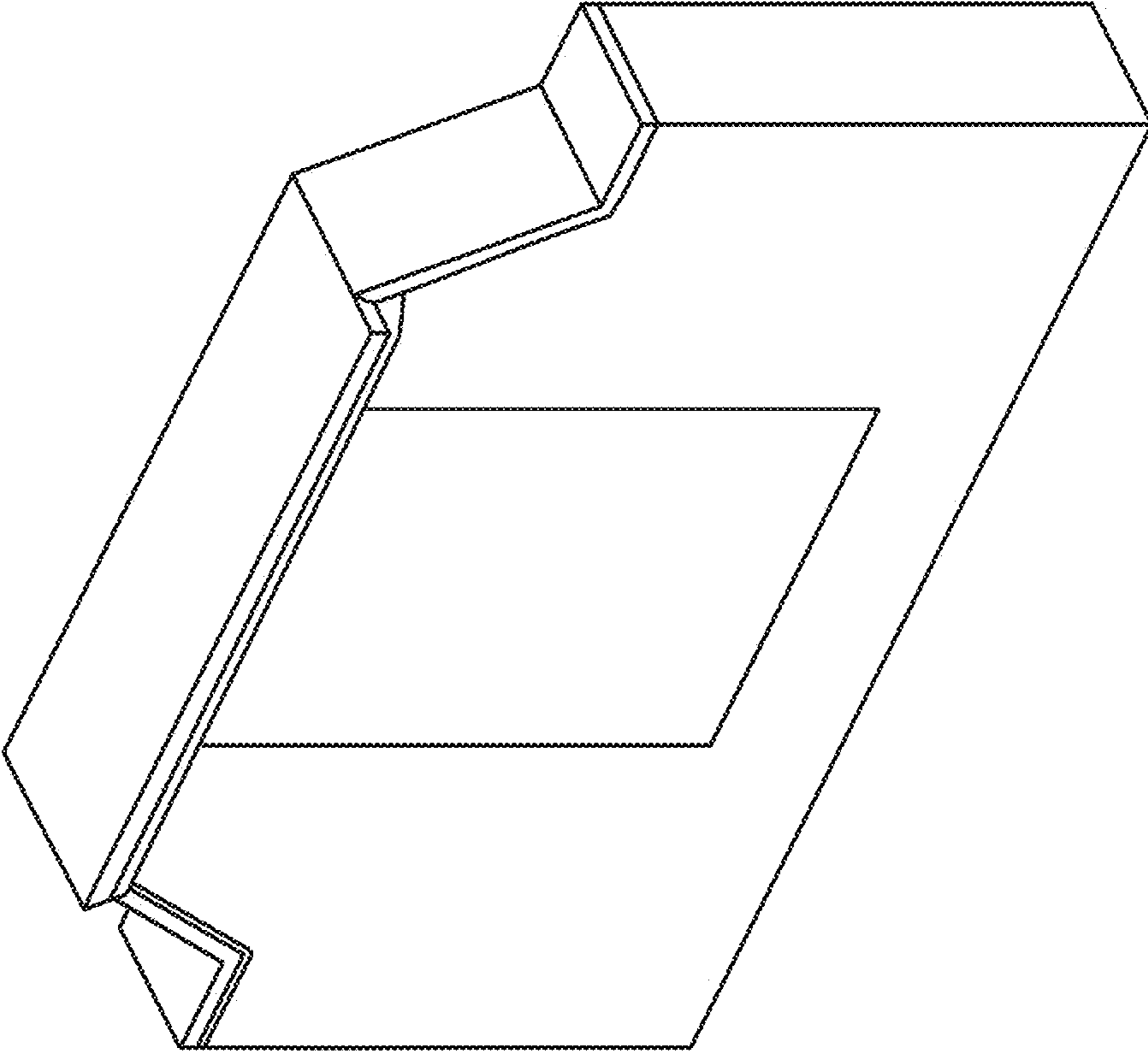


Fig. 1

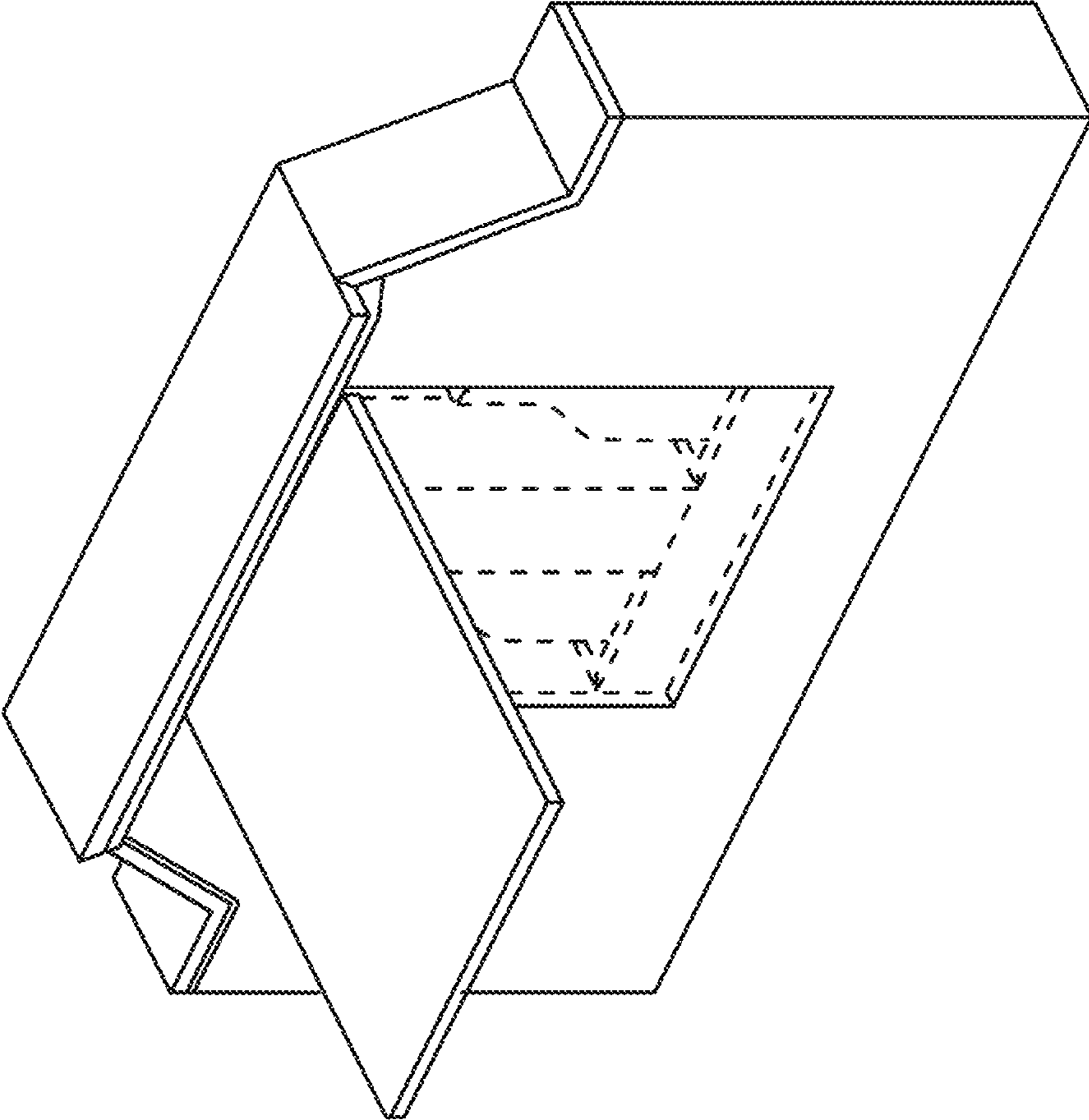


Fig. 2

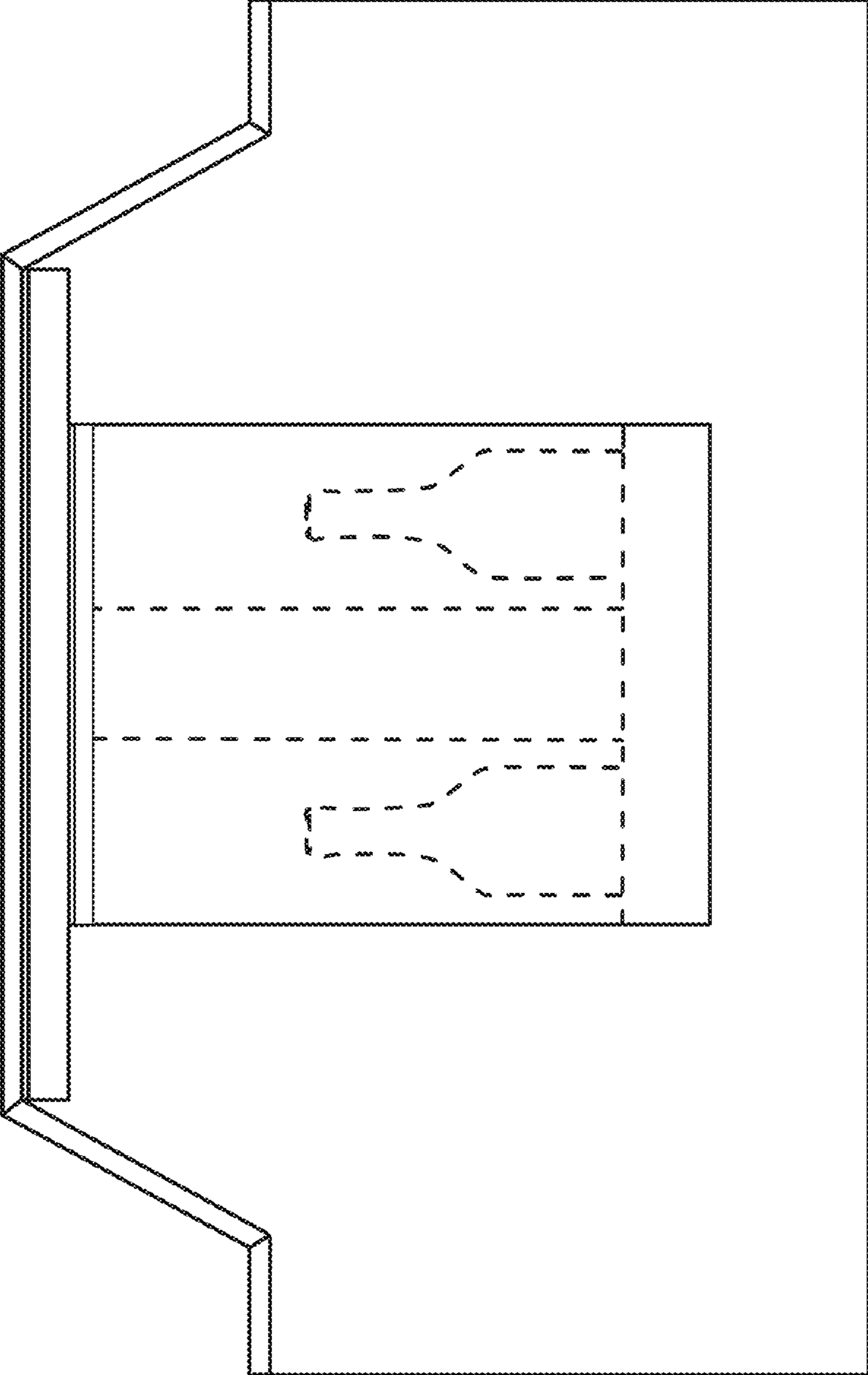


Fig. 3

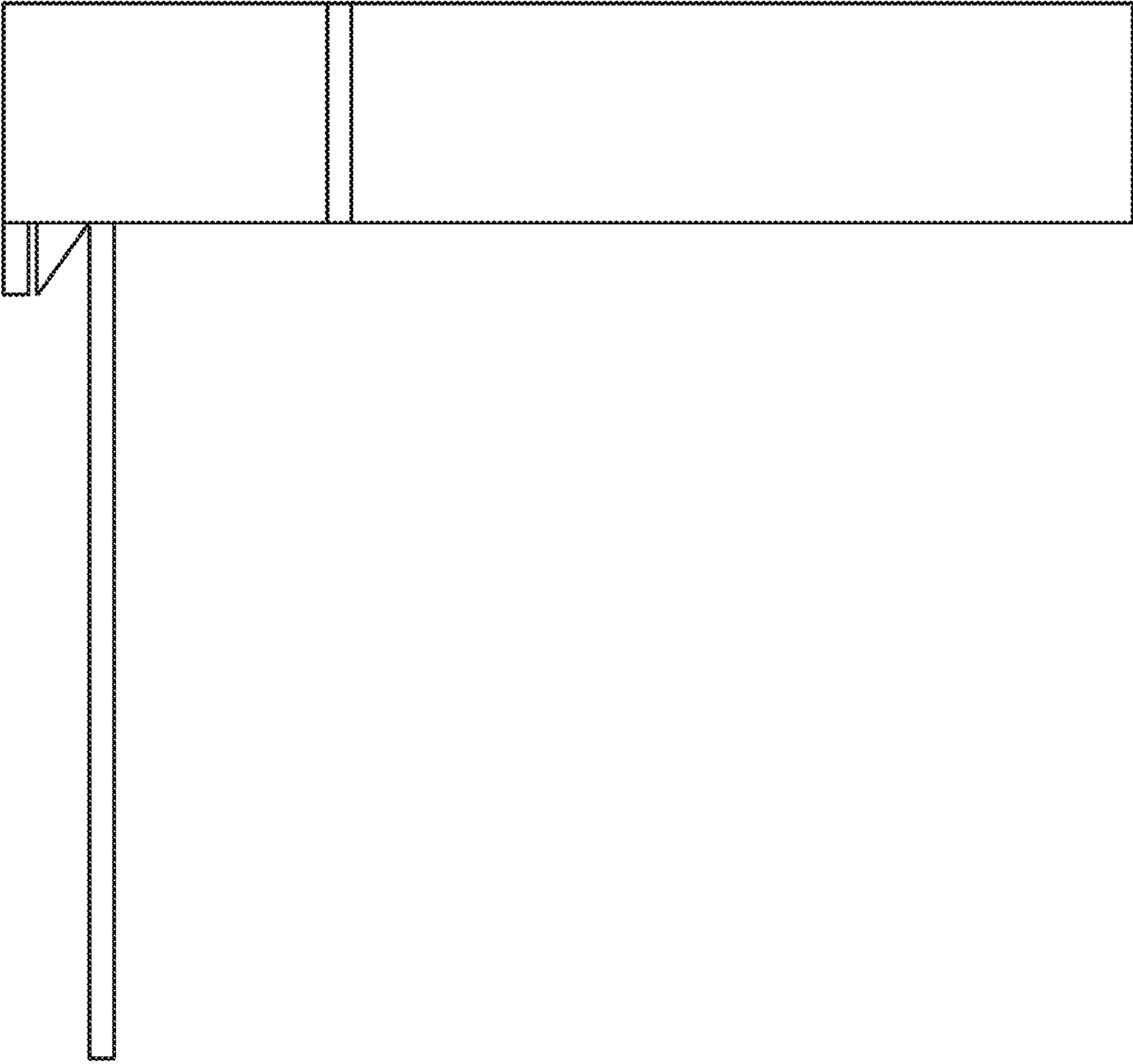


Fig. 4

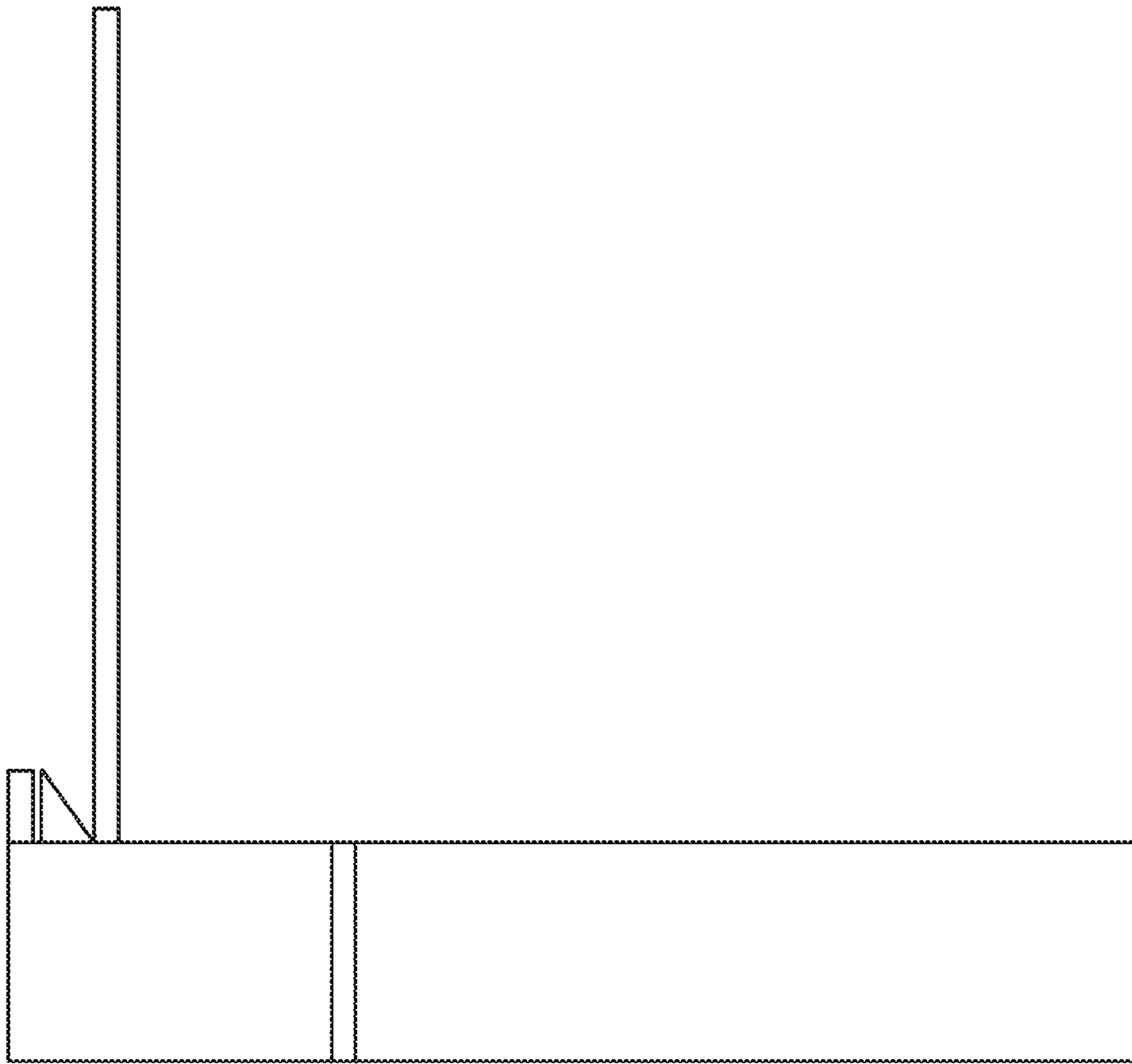


Fig. 5

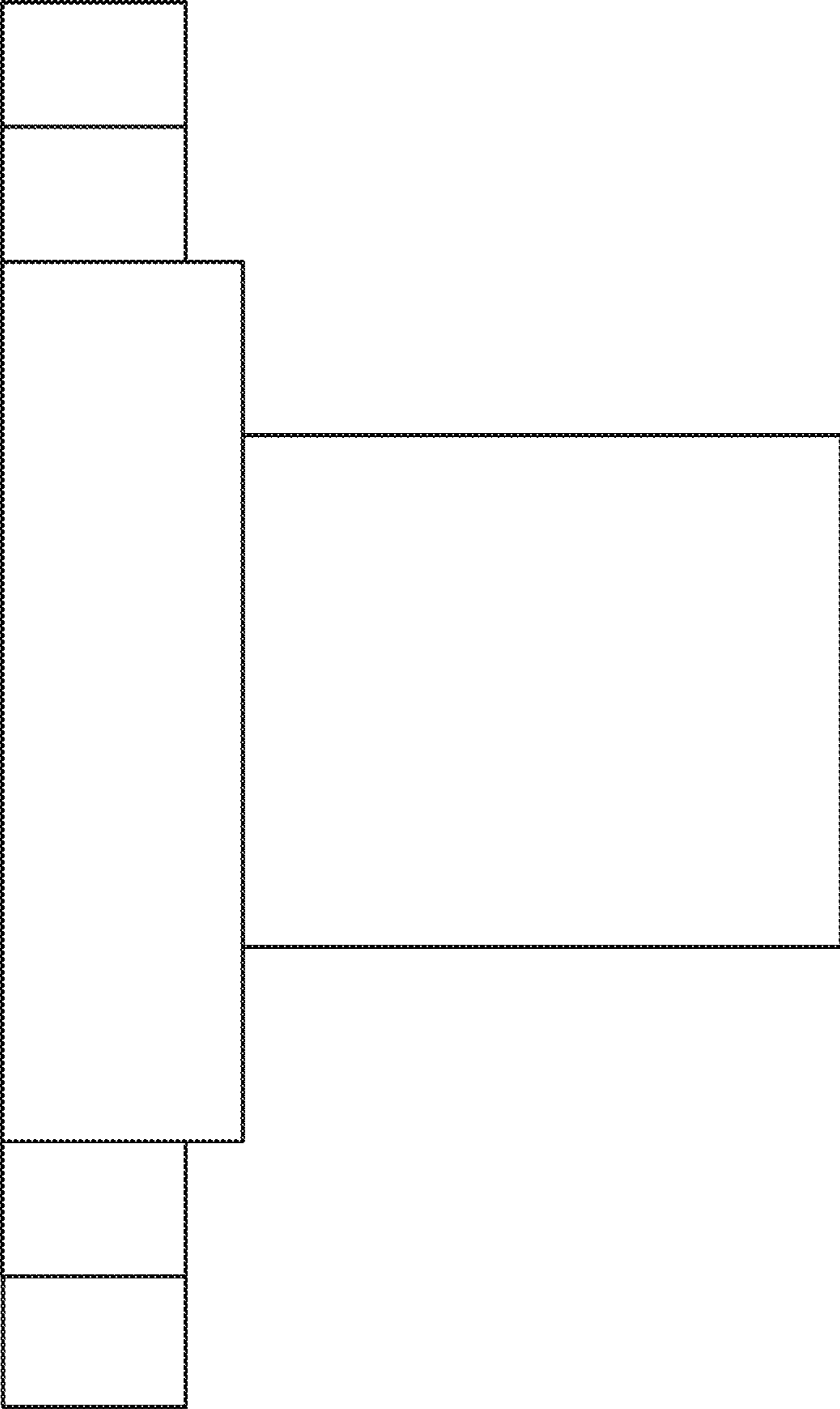


Fig. 6