

US00D726095S

(12) **United States Design Patent**
Simecek et al.

(10) **Patent No.:** **US D726,095 S**

(45) **Date of Patent:** **** Apr. 7, 2015**

(54) **SIMULATED FENDER**

(71) Applicants: **Gary M. Simecek**, Avon Lake, OH
(US); **Gary J. Billington**, Avon Lake,
OH (US)

(72) Inventors: **Gary M. Simecek**, Avon Lake, OH
(US); **Gary J. Billington**, Avon Lake,
OH (US)

(73) Assignee: **Q-Lab Corporation**, Westlake, OH (US)

(**) Term: **14 Years**

(21) Appl. No.: **29/462,043**

(22) Filed: **Jul. 30, 2013**

Related U.S. Application Data

(63) Continuation-in-part of application No. 13/227,172,
filed on Sep. 7, 2011.

(51) **LOC (10) Cl.** **12-16**

(52) **U.S. Cl.**
USPC **D12/400**; D12/181

(58) **Field of Classification Search**
USPC D12/173, 196, 86, 90-92, 181, 83, 400;
D8/351, 371; 180/69.21, 69.2, 69.22
See application file for complete search history.

(56) **References Cited**

U.S. PATENT DOCUMENTS

2,003,752 A	6/1935	Landt	
3,486,481 A	12/1969	Herrington et al.	
4,530,492 A	7/1985	Bork	
4,714,224 A	12/1987	Calmes	
5,772,233 A	6/1998	Papendick	
5,879,021 A	3/1999	Papendick	
D422,251 S *	4/2000	Bader et al.	D12/173
D423,437 S *	4/2000	Saleen et al.	D12/196
6,173,947 B1	1/2001	Johnson	
D468,675 S *	1/2003	Murkett	D12/196
D482,993 S *	12/2003	Conway et al.	D12/184

D491,859 S *	6/2004	Velazco	D12/196
D491,860 S *	6/2004	Velazco	D12/196
6,837,934 B1	1/2005	Patrykus	
D511,128 S *	11/2005	Nagashima	D12/196
D511,129 S *	11/2005	Nagashima	D12/196
D527,697 S *	9/2006	Metros et al.	D12/196
D545,255 S *	6/2007	Angelo et al.	D12/184
D576,532 S *	9/2008	Hildebrand et al.	D12/196
D583,288 S *	12/2008	Leclercq	D12/196
D586,273 S *	2/2009	Hamburger	D12/181
D596,546 S *	7/2009	Habib	D12/196
D597,011 S *	7/2009	Habib	D12/196
D603,312 S *	11/2009	Couture	D12/173
D616,475 S *	5/2010	Slomp et al.	D15/145
D633,839 S *	3/2011	Matei et al.	D12/196
7,950,635 B2	5/2011	Proehl	
D647,016 S *	10/2011	Medina et al.	D12/181

(Continued)

FOREIGN PATENT DOCUMENTS

EP	0013966 A1	8/1980
FR	1380608	10/1964
FR	2699255 A1	6/1994

Primary Examiner — Carla Jobe Wright

Assistant Examiner — Holly E Thurman

(74) *Attorney, Agent, or Firm* — Fay Sharpe LLP

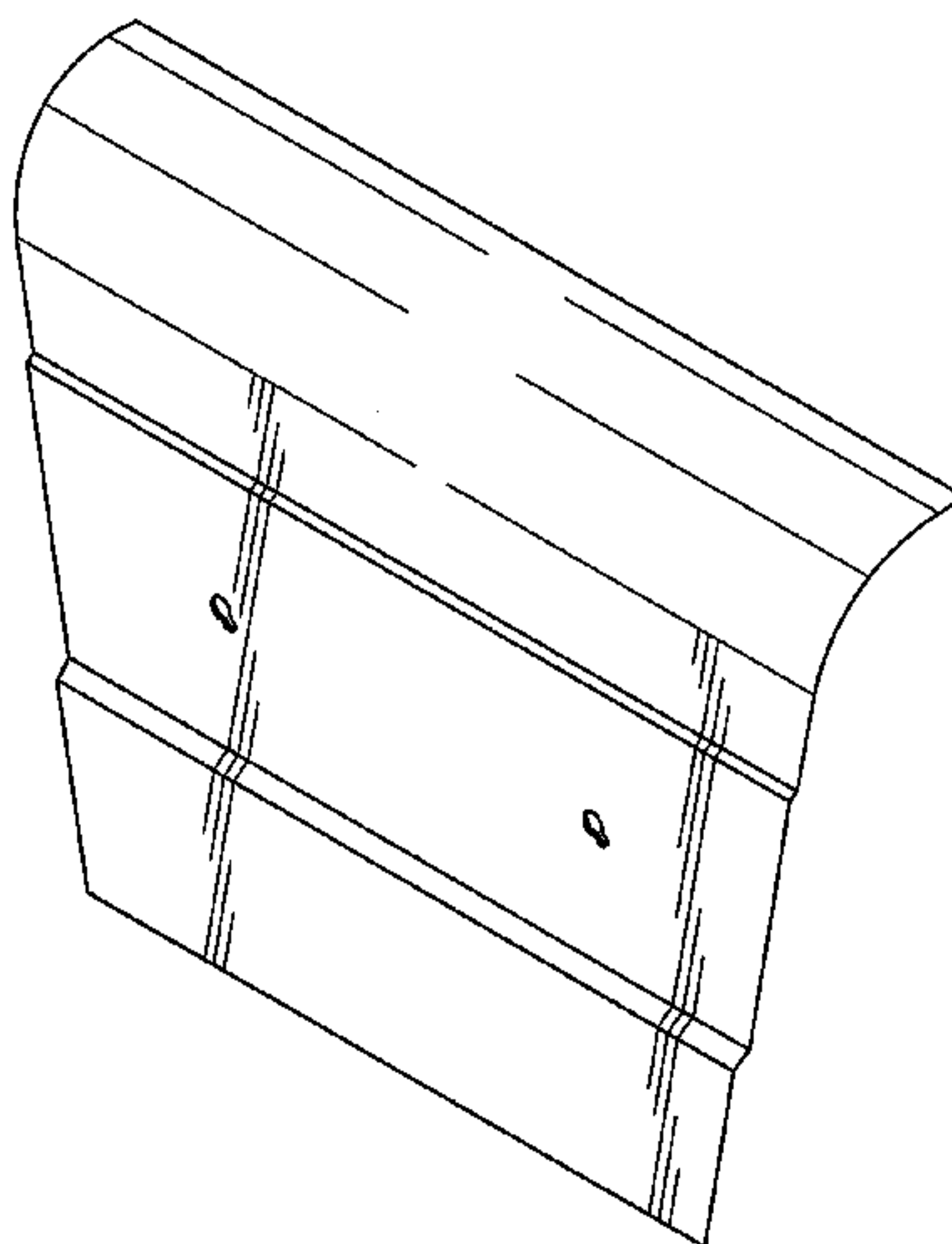
(57) **CLAIM**

The ornamental design for a simulated fender, as shown and described.

DESCRIPTION

FIG. 1 is a front perspective view of a simulated fender according to our new design;
FIG. 2 is a front elevational view thereof;
FIG. 3 is a right side elevational view thereof;
FIG. 4 is a rear elevational view thereof;
FIG. 5 is a left side elevational view thereof;
FIG. 6 is a top plan view thereof;
FIG. 7 is a bottom plan view thereof; and,
FIG. 8 is a rear perspective view thereof.

1 Claim, 4 Drawing Sheets



US D726,095 S

Page 2

(56)

References Cited

U.S. PATENT DOCUMENTS

D708,103 S *	7/2014	Watkins et al.	D12/196	
D710,283 S *	8/2014	O'Donnell et al.	D12/196	
2008/0251305 A1 *	10/2008	Shin	180/69.21	
D685,705 S *	7/2013	Munson et al.	D12/184	
D702,606 S *	4/2014	Conway et al.	D12/184	* cited by examiner

FIG. 1

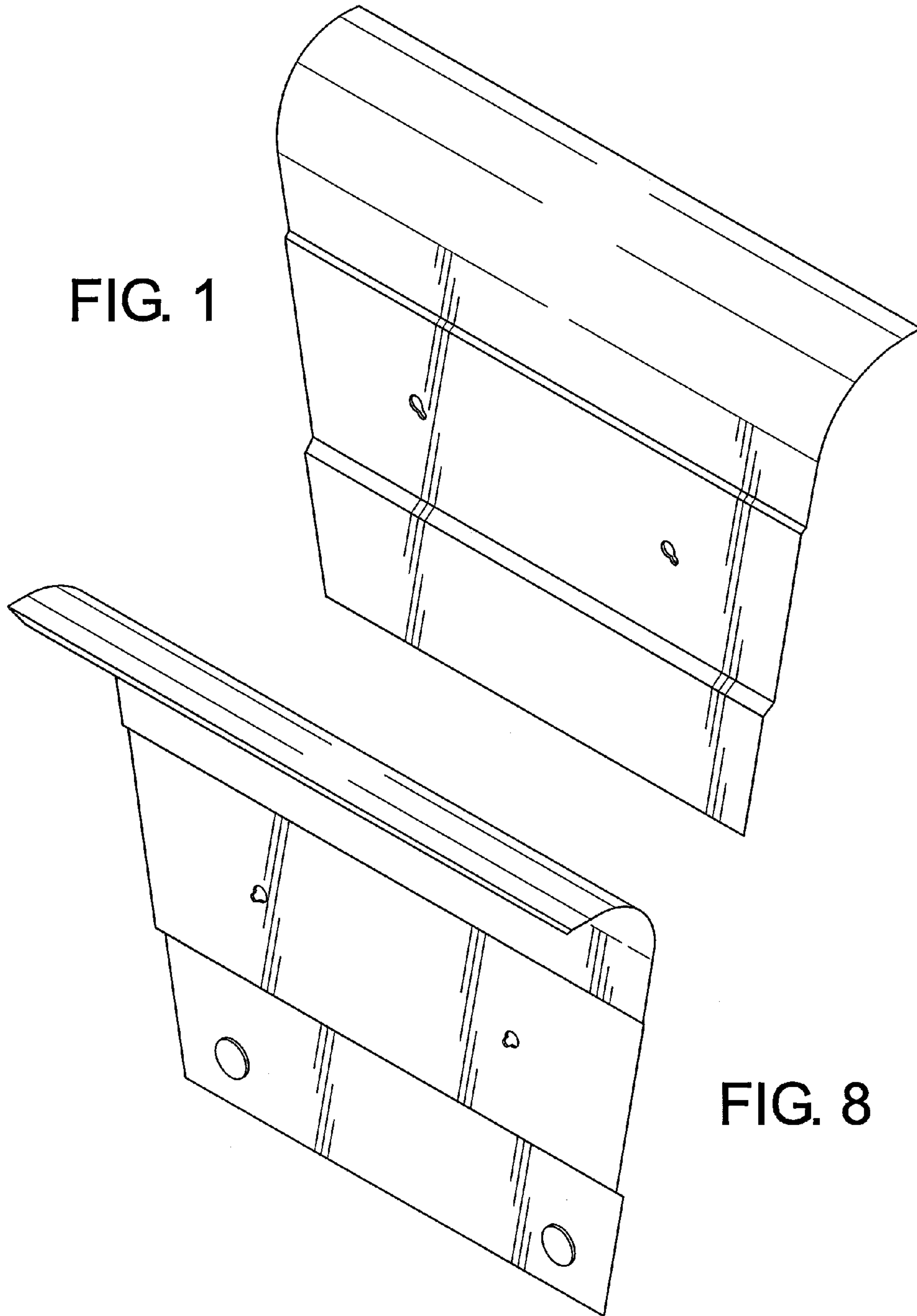


FIG. 8

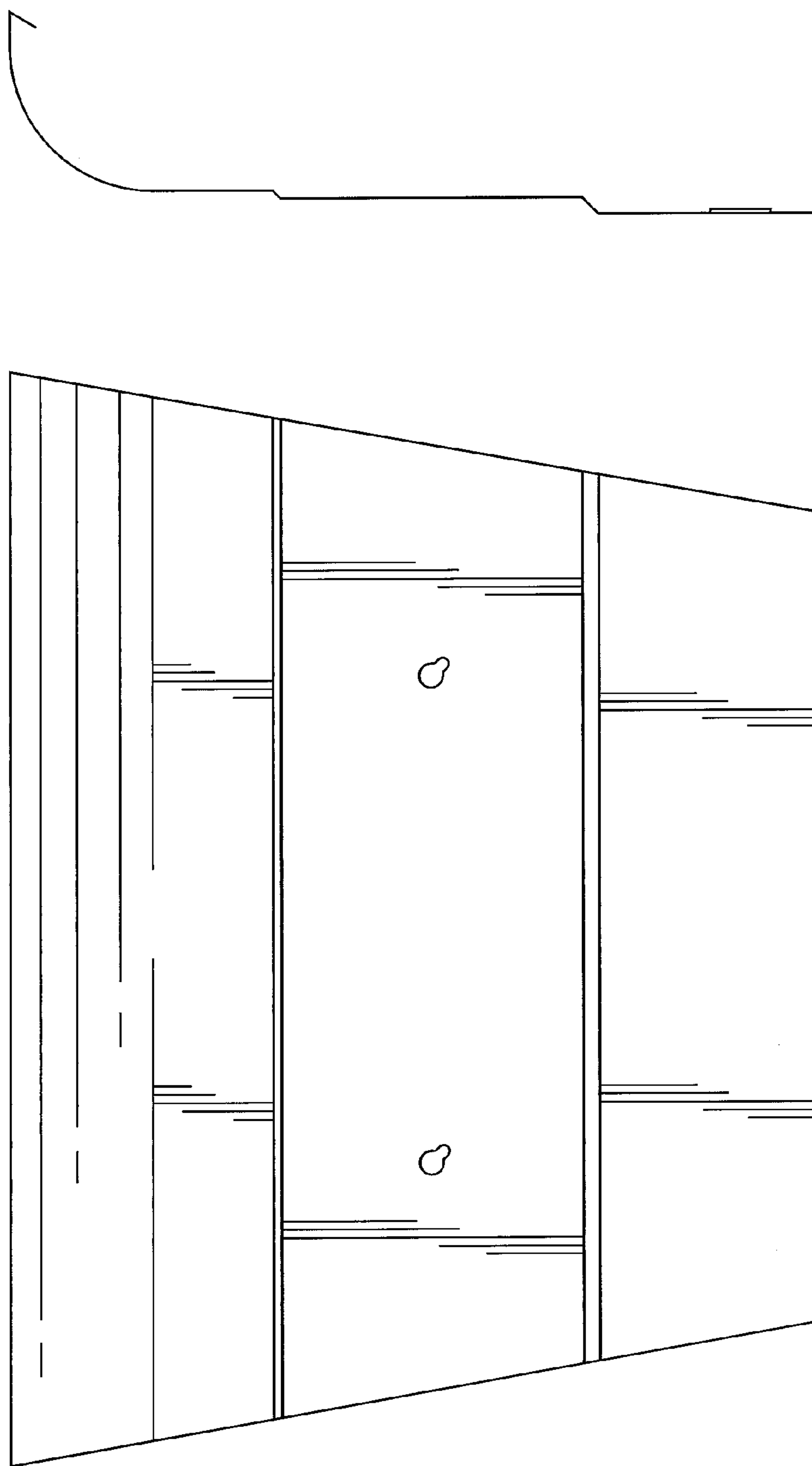


FIG. 2

FIG. 3

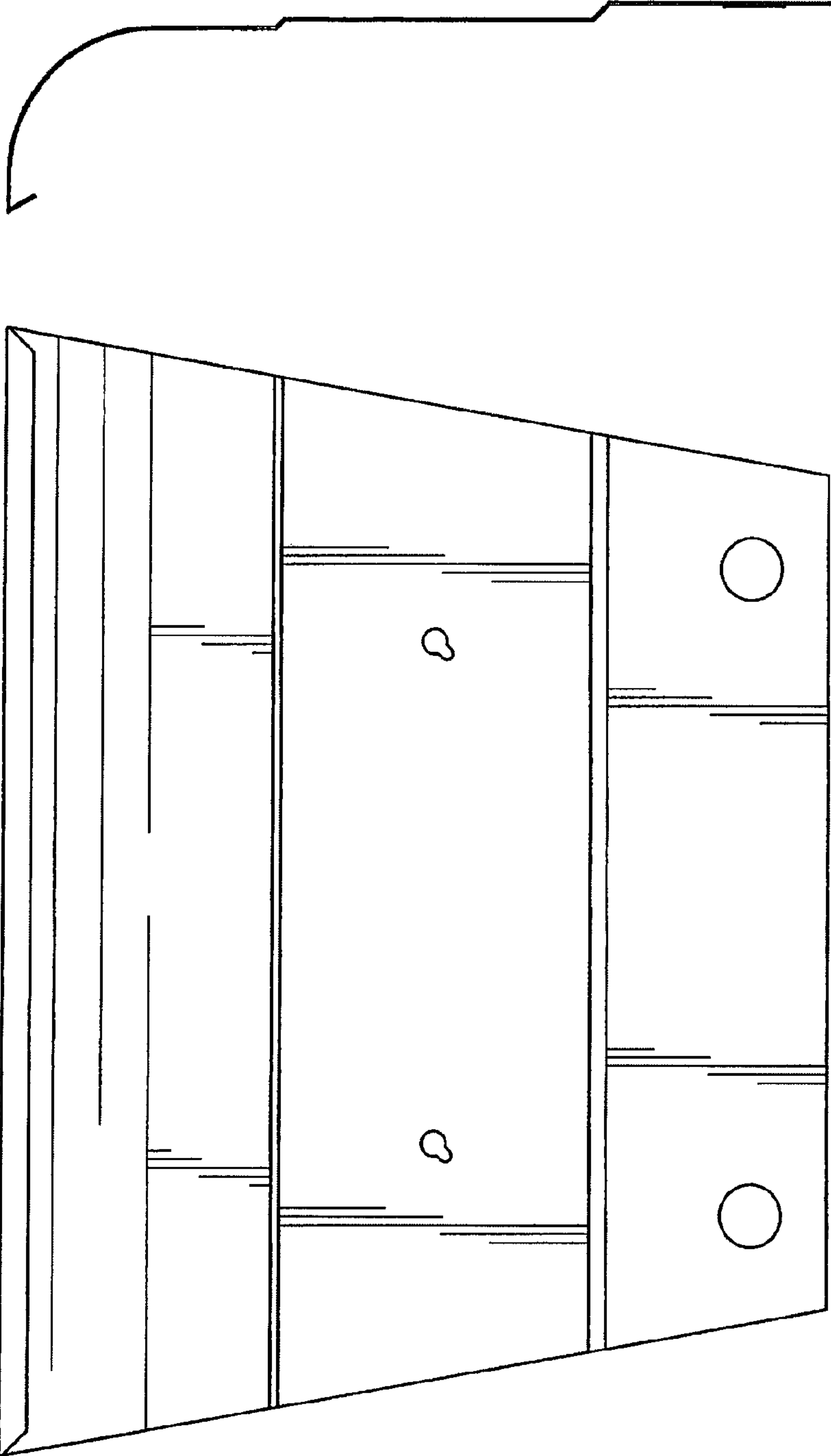


FIG. 4

FIG. 5

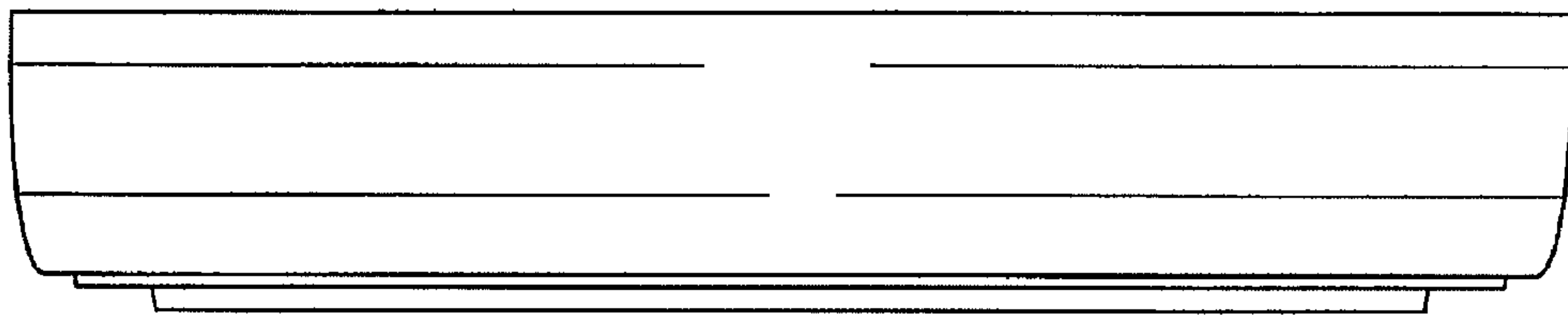


FIG. 6

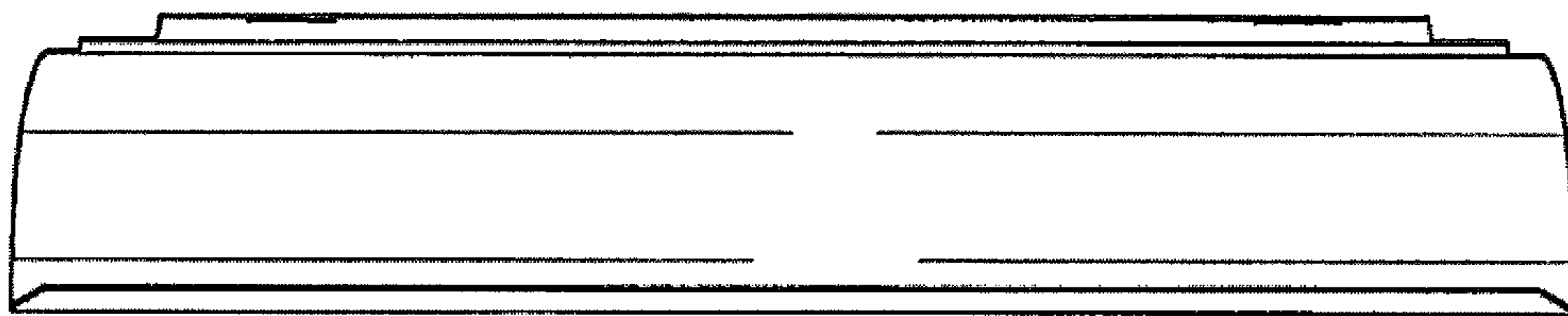


FIG. 7