



US00D726094S

(12) **United States Design Patent**  
**Simecek et al.**

(10) **Patent No.:** **US D726,094 S**

(45) **Date of Patent:** **\*\* Apr. 7, 2015**

(54) **SIMULATED HOOD**

(71) Applicants: **Gary M. Simecek**, Avon Lake, OH  
(US); **Gary J. Billington**, Avon Lake,  
OH (US)

(72) Inventors: **Gary M. Simecek**, Avon Lake, OH  
(US); **Gary J. Billington**, Avon Lake,  
OH (US)

(73) Assignee: **Q-Lab Corporation**, Westlake, OH (US)

(\*\*) Term: **14 Years**

(21) Appl. No.: **29/462,038**

(22) Filed: **Jul. 30, 2013**

**Related U.S. Application Data**

(63) Continuation-in-part of application No. 13/227,172,  
filed on Sep. 7, 2011.

(51) **LOC (10) Cl.** ..... **12-16**

(52) **U.S. Cl.**  
USPC ..... **D12/400**; D12/173

(58) **Field of Classification Search**  
USPC ..... D12/173, 196, 86, 90-92, 181, 83, 400;  
D8/351, 371; 180/69.21, 69.2, 69.22  
See application file for complete search history.

(56) **References Cited**

**U.S. PATENT DOCUMENTS**

2,003,752	A	6/1935	Landt	
3,486,481	A	12/1969	Herrington et al.	
4,530,492	A	7/1985	Bork	
4,714,224	A	12/1987	Calmes	
D368,248	S *	3/1996	Bryant	D12/196
5,772,233	A	6/1998	Papendick	
5,879,021	A	3/1999	Papendick	
D422,251	S *	4/2000	Bader et al.	D12/173
6,173,947	B1	1/2001	Johnson	
D496,611	S *	9/2004	Kneefel et al.	D12/173
6,837,934	B1	1/2005	Patrykus	

D520,418	S *	5/2006	Platto et al.	D12/173
D528,482	S *	9/2006	Hamburger	D12/181
D570,267	S *	6/2008	Nagura	D12/173
D586,718	S *	2/2009	Morita et al.	D12/223
D592,113	S *	5/2009	Ward	D12/173
D596,546	S *	7/2009	Habib	D12/196
D603,312	S *	11/2009	Couture	D12/173
D609,144	S *	2/2010	Takayama	D12/173
D616,475	S *	5/2010	Slomp et al.	D15/145
7,950,635	B2	5/2011	Proehl	
D651,144	S *	12/2011	Okumoto et al.	D12/173
D690,242	S *	9/2013	Conway et al.	D12/173
D701,807	S *	4/2014	Futschik et al.	D12/173
D710,269	S *	8/2014	O'Donnell et al.	D12/173
2008/0251305	A1 *	10/2008	Shin	180/69.21
2012/0285759	A1 *	11/2012	Ikeda et al.	180/69.2

**FOREIGN PATENT DOCUMENTS**

EP	0013966	A1	8/1980
FR	1380608		10/1964
FR	2699255	A1	6/1994

\* cited by examiner

*Primary Examiner* — Carla Jobe Wright

*Assistant Examiner* — Holly E Thurman

(74) *Attorney, Agent, or Firm* — Fay Sharpe LLP

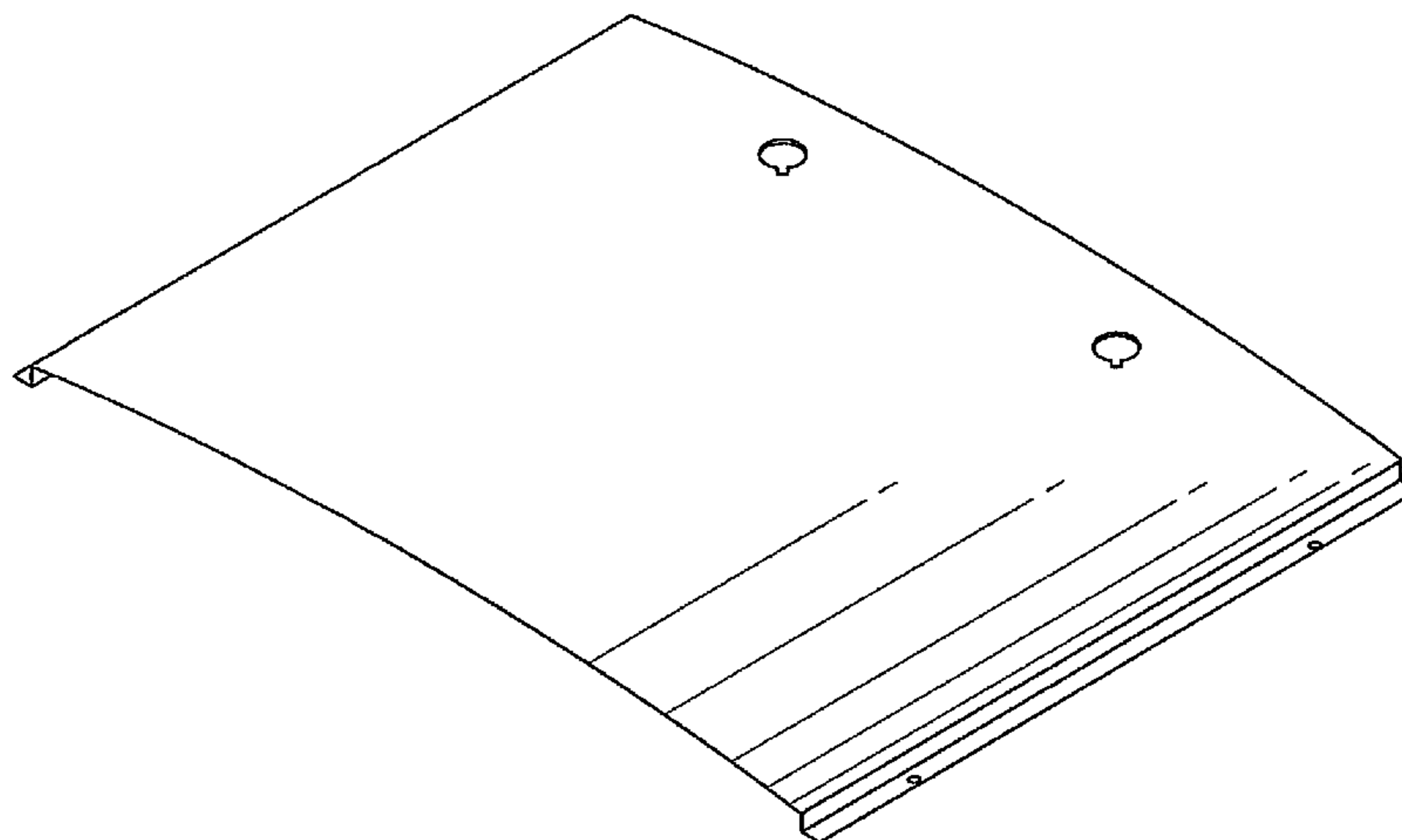
(57) **CLAIM**

The ornamental design for a simulated hood, as shown and described.

**DESCRIPTION**

FIG. 1 is a top perspective view of a simulated hood according to our new design;  
FIG. 2 is a top plan view thereof;  
FIG. 3 is a right side elevational view thereof;  
FIG. 4 is a front elevational view thereof, with the rear elevational view being a mirror image thereof;  
FIG. 5 is a bottom plan view thereof;  
FIG. 6 is a left side elevational view thereof; and,  
FIG. 7 is a bottom perspective view thereof.

**1 Claim, 3 Drawing Sheets**



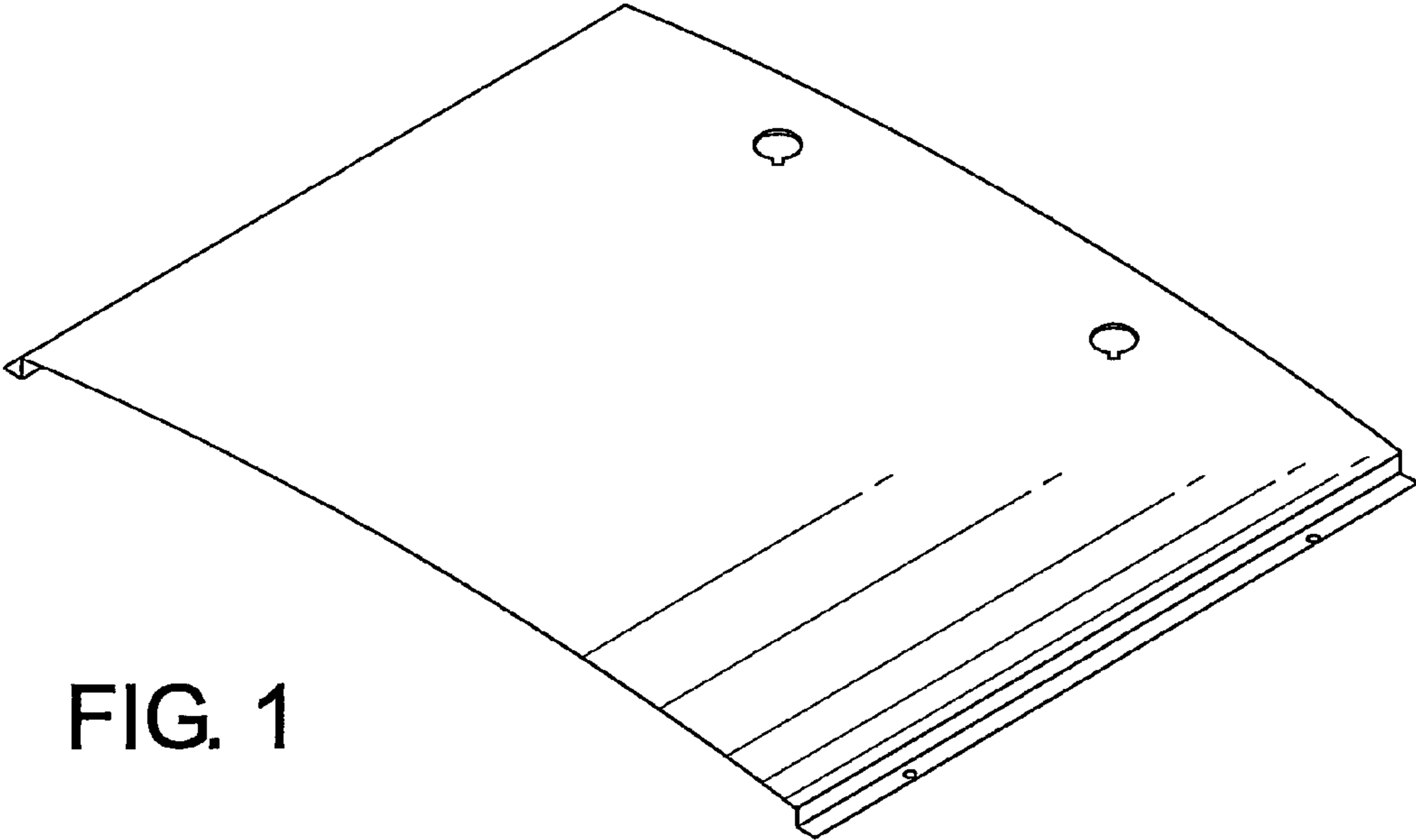


FIG. 1

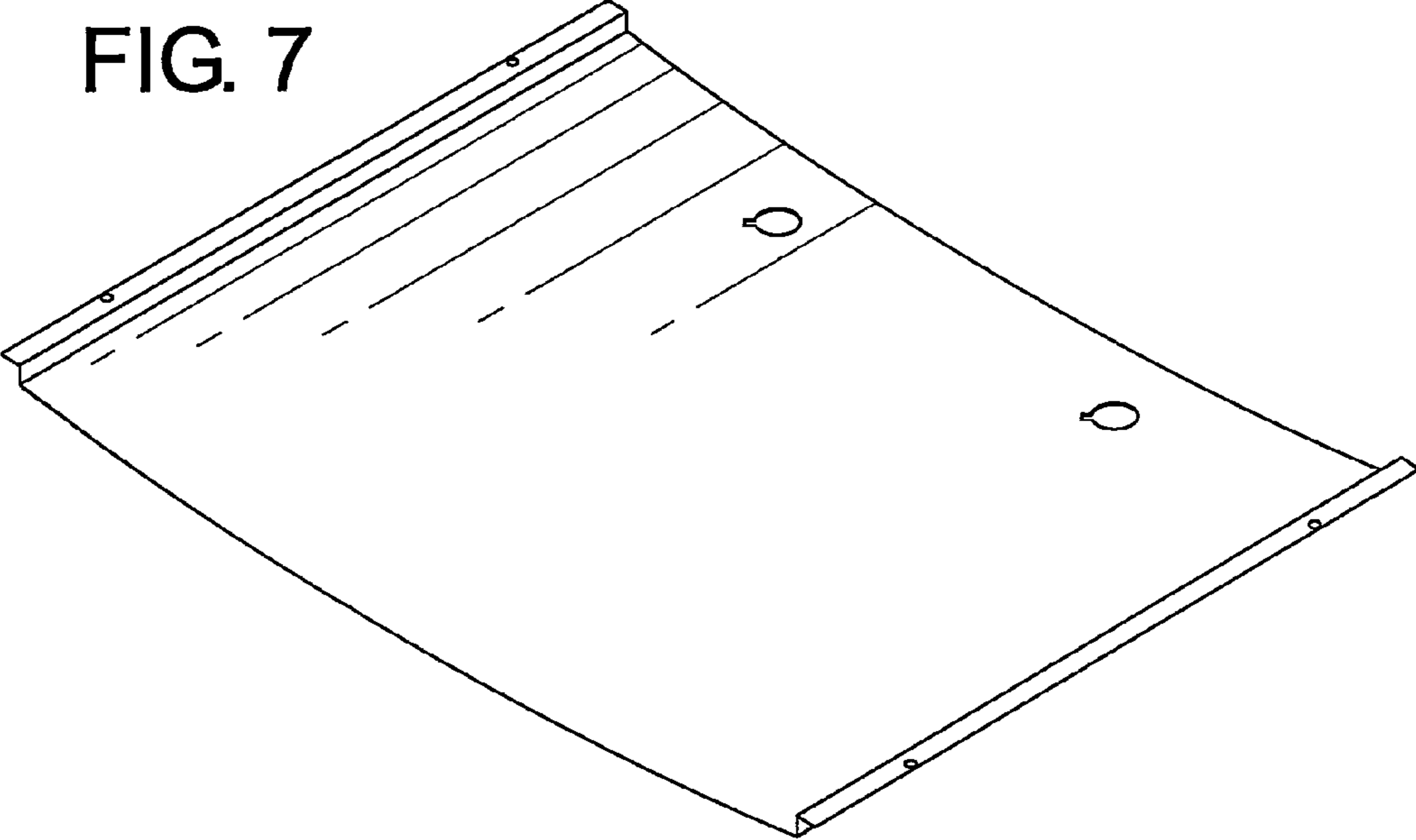


FIG. 7

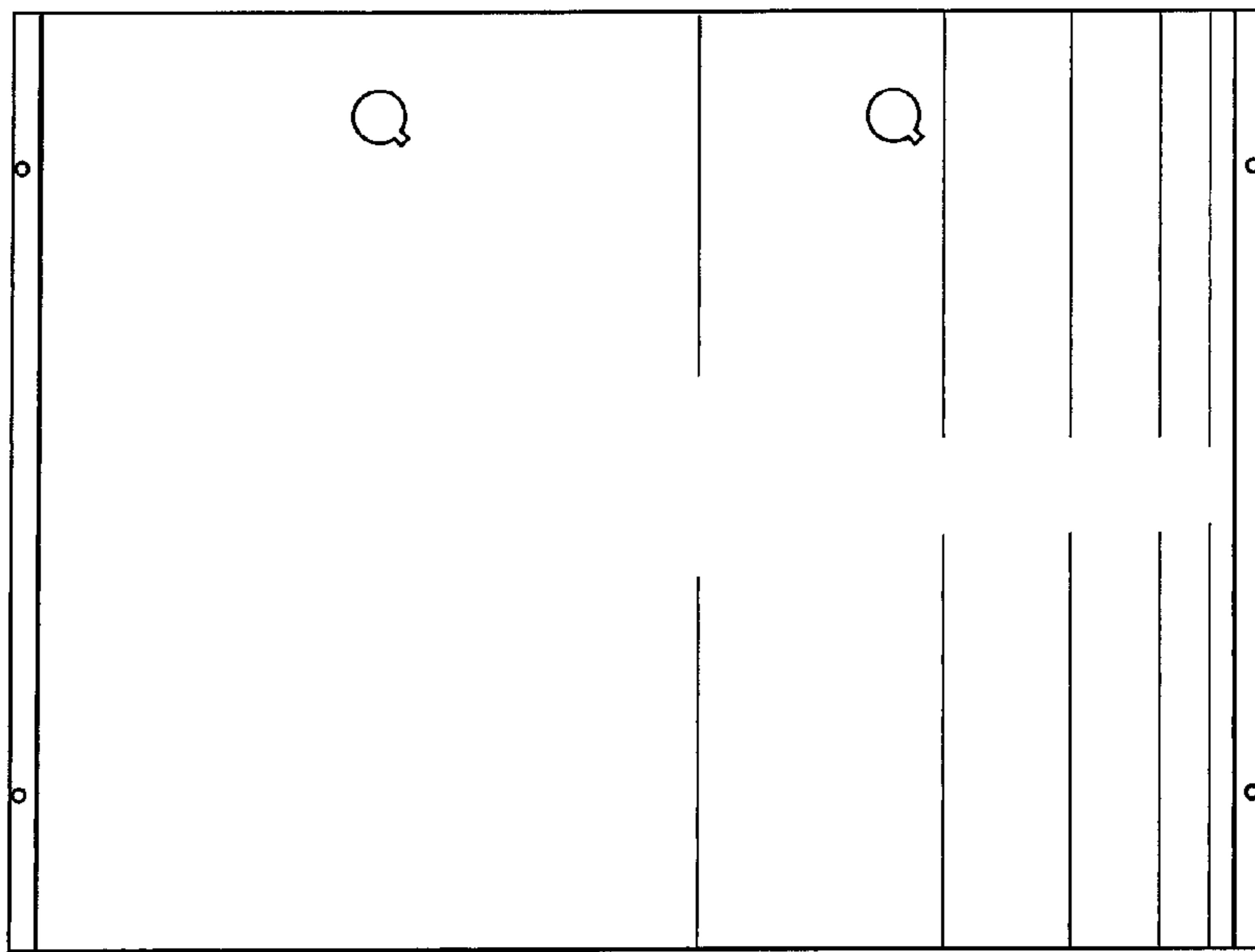


FIG. 2



FIG. 3

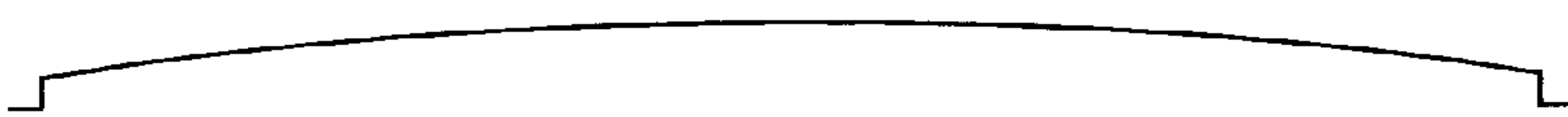


FIG. 4

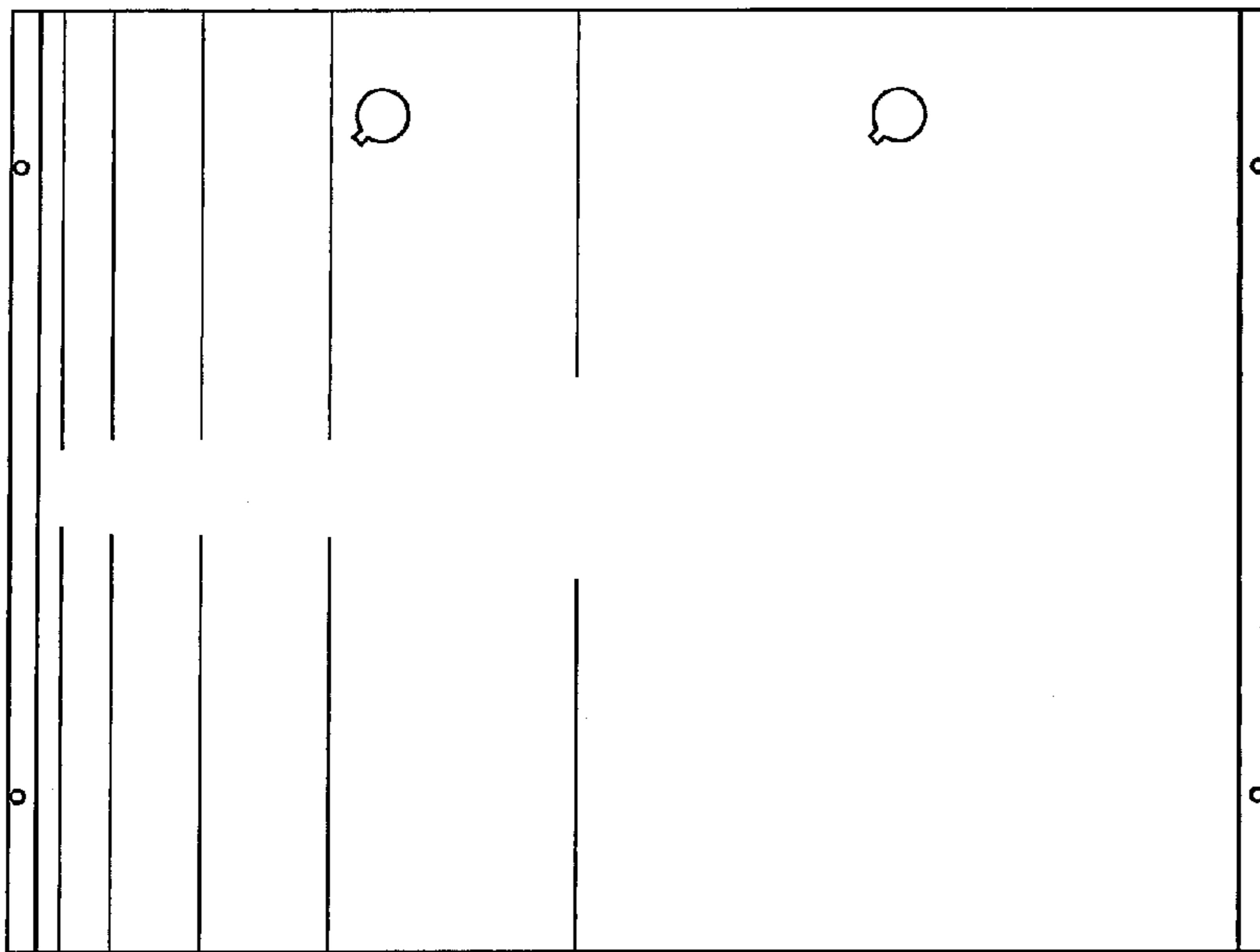


FIG. 5

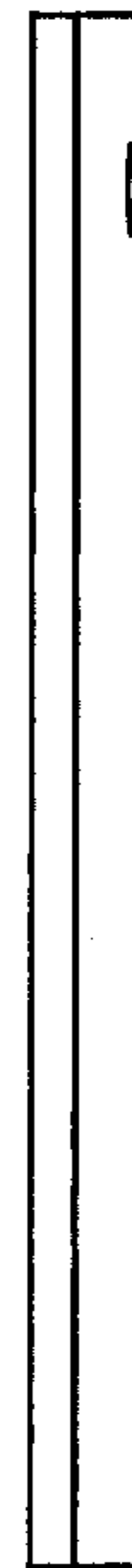


FIG. 6