



US00D726091S

(12) **United States Design Patent**
Mays et al.

(10) **Patent No.:** **US D726,091 S**

(45) **Date of Patent:** **** Apr. 7, 2015**

(54) **VEHICLE WHEEL**

(71) Applicant: **Ford Motor Company**, Dearborn, MI (US)

(72) Inventors: **J C. Mays**, Bloomfield Hills, MI (US);
Moray S. Callum, Ann Arbor, MI (US);
Joel Piaskowski, Brighton (AU);
Darrell Behmer, Novi, MI (US); **Garen Nicoghosian**, Bloomfield Hills, MI (US);
Mark Kaski, Royal Oak, MI (US)

(73) Assignee: **Ford Motor Company**, Dearborn, MI (US)

(**) Term: **14 Years**

(21) Appl. No.: **29/476,619**

(22) Filed: **Dec. 16, 2013**

Related U.S. Application Data

(63) Continuation of application No. 29/469,983, filed on Oct. 16, 2013, now Pat. No. Des. 710,762.

(51) **LOC (10) Cl.** **12-16**

(52) **U.S. Cl.**
USPC **D12/211**

(58) **Field of Classification Search**
CPC B60B 7/00; B60B 7/02; B60B 7/04;

B60B 7/01; B60B 7/06; B60B 3/02; B60B 3/04; B60B 3/06; B60B 3/10; B60B 1/00; B60B 1/08; B60B 1/10; B60B 1/12

USPC D12/204-213
See application file for complete search history.

(56) **References Cited**

U.S. PATENT DOCUMENTS

D402,251 S *	12/1998	Timm	D12/211
D478,307 S *	8/2003	Maifrini	D12/211
D481,663 S *	11/2003	Maifrini	D12/211
D542,728 S *	5/2007	Ichinose	D12/211
D589,428 S *	3/2009	Scheu	D12/211
D605,574 S *	12/2009	Abdallah	D12/211
D625,235 S *	10/2010	Nissl	D12/209
D645,389 S *	9/2011	Nissl	D12/209
D673,102 S *	12/2012	Behmer et al.	D12/211

* cited by examiner

Primary Examiner — Stacia Cadmus

(74) *Attorney, Agent, or Firm* — Damian Porcari

(57) **CLAIM**

The ornamental design for a vehicle wheel, as shown and described.

DESCRIPTION

FIG. 1 is a front view of a vehicle wheel; and, FIG. 2 is a perspective view of the vehicle wheel.

1 Claim, 2 Drawing Sheets

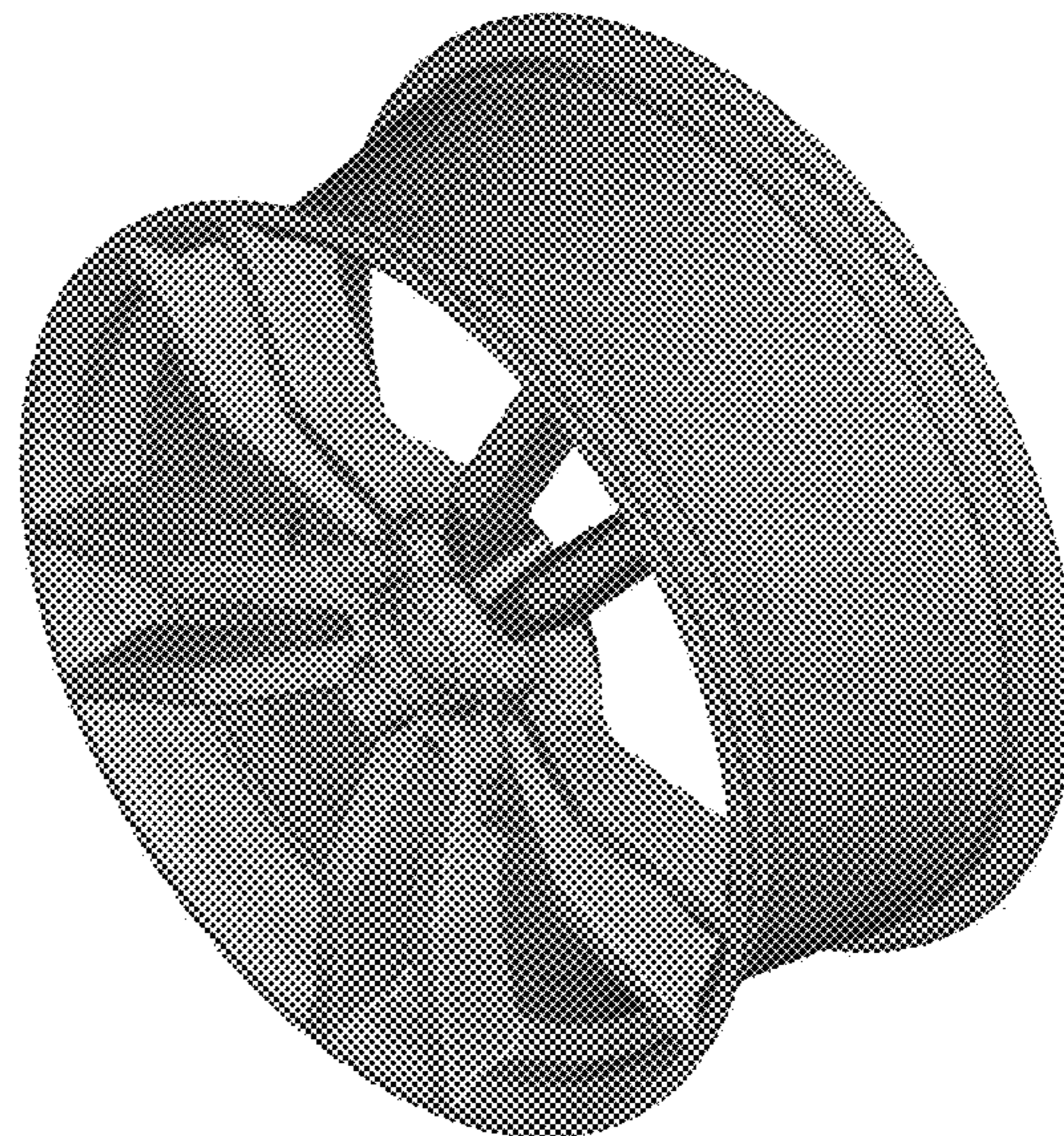
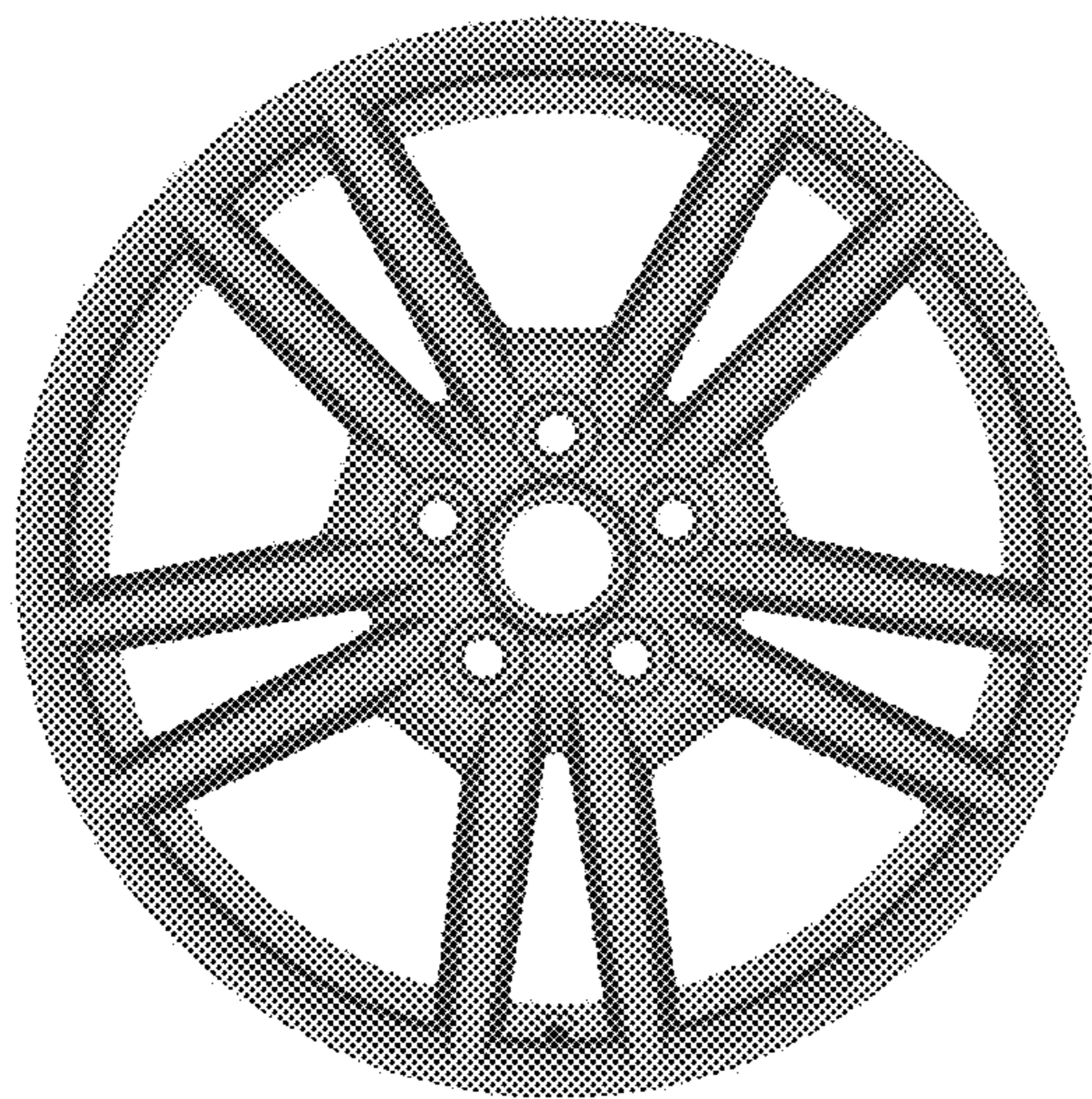




Figure 1

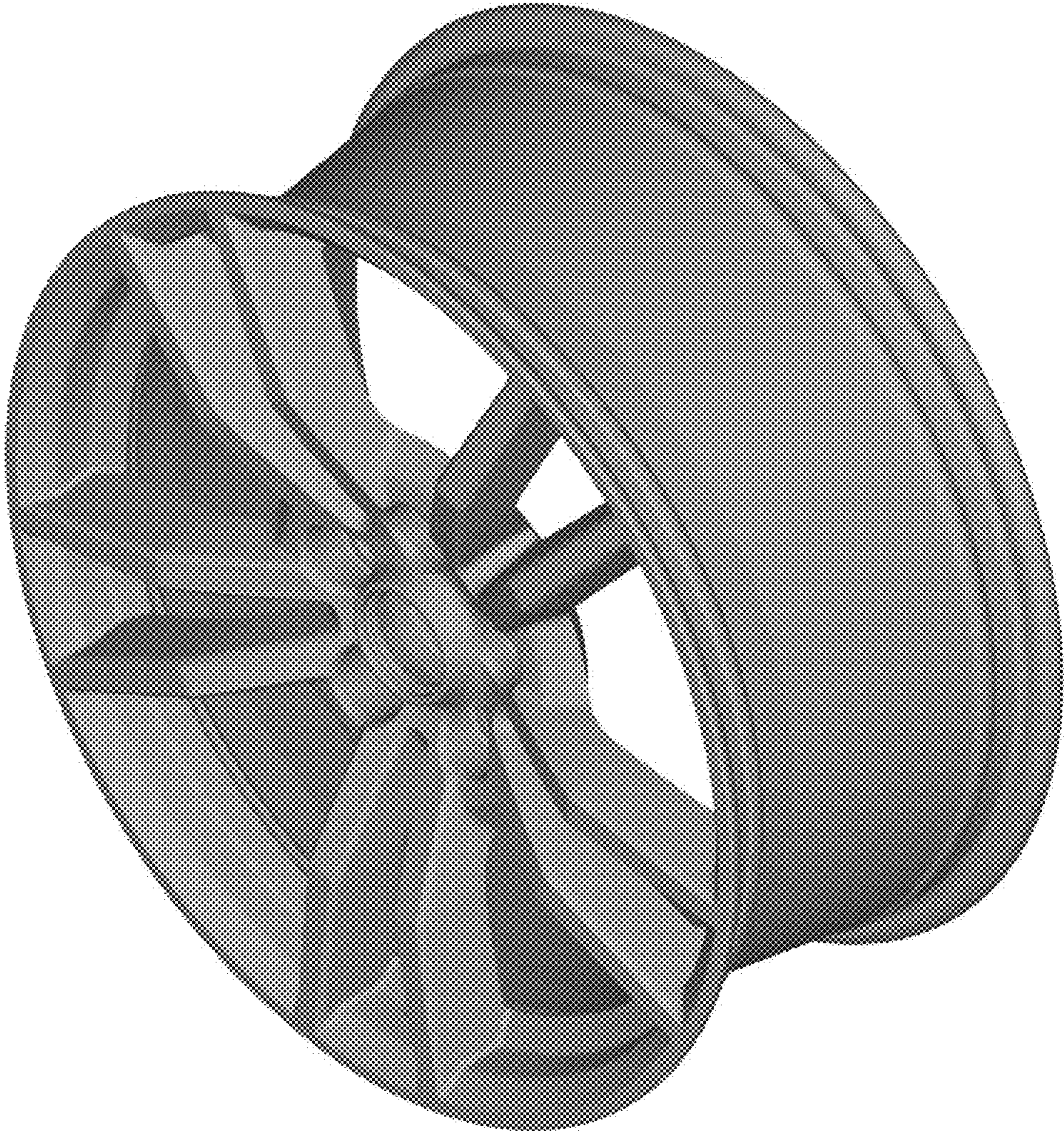


Figure 2