

US00D726090S

(12) **United States Design Patent**
Hilpert

(10) **Patent No.:** **US D726,090 S**

(45) **Date of Patent:** **** Apr. 7, 2015**

(54) **WHEEL OR WHEEL COVER**

(71) Applicant: **Daimler AG**, Stuttgart (DE)

(72) Inventor: **Kai Hilpert**, Plochingen (DE)

(73) Assignee: **Daimler AG**, Stuttgart (DE)

(**) Term: **14 Years**

(21) Appl. No.: **29/471,132**

(22) Filed: **Oct. 29, 2013**

(30) **Foreign Application Priority Data**

May 6, 2013 (WO) DM/081 000

(51) **LOC (10) Cl.** **12-16**

(52) **U.S. Cl.**
USPC **D12/211**

(58) **Field of Classification Search**
CPC B60B 7/00; B60B 7/02; B60B 7/04;
B60B 7/01; B60B 7/06; B60B 3/02; B60B
3/04; B60B 3/06; B60B 3/10; B60B 1/00;
B60B 1/08; B60B 1/10; B60B 1/12
USPC D12/204-213
See application file for complete search history.

(56) **References Cited**

U.S. PATENT DOCUMENTS

D477,556 S *	7/2003	Koch	D12/211
D516,493 S *	3/2006	Frizzi	D12/211
D525,184 S *	7/2006	Huet	D12/211
D593,476 S *	6/2009	Juergens et al.	D12/211
D596,551 S *	7/2009	Futschik et al.	D12/211
D609,624 S *	2/2010	Matsubara	D12/211
D628,948 S *	12/2010	Chung	D12/211
D639,225 S *	6/2011	Forschner	D12/211
D682,180 S *	5/2013	Zhao	D12/211
D687,757 S *	8/2013	Lemke	D12/211
D694,695 S *	12/2013	Kern	D12/211
D697,014 S *	1/2014	Stolz	D12/211
D697,017 S *	1/2014	Holstein	D12/211
D708,562 S *	7/2014	Kern	D12/211

* cited by examiner

Primary Examiner — Stacia Cadmus

(74) *Attorney, Agent, or Firm* — Crowell & Moring LLP

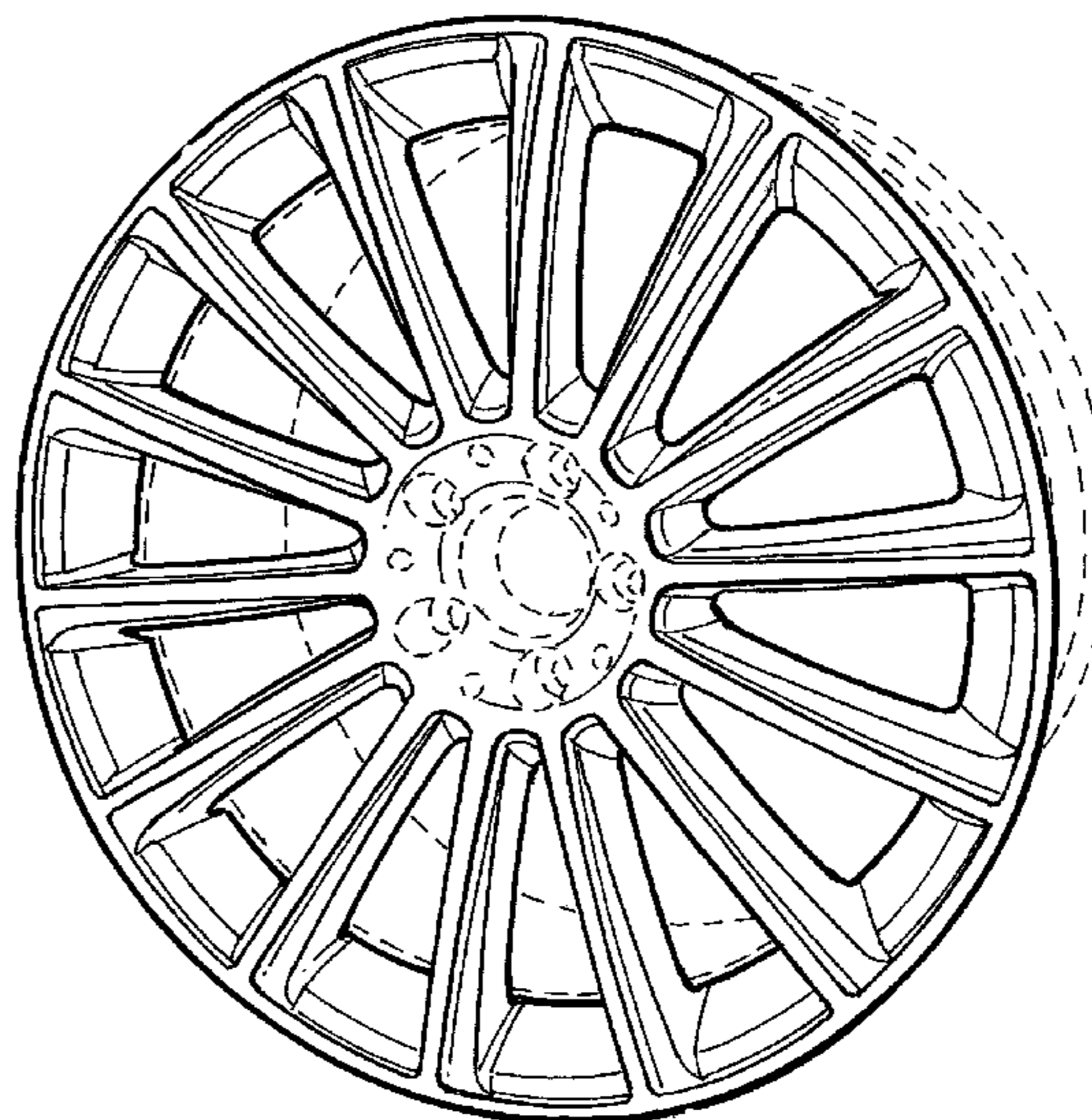
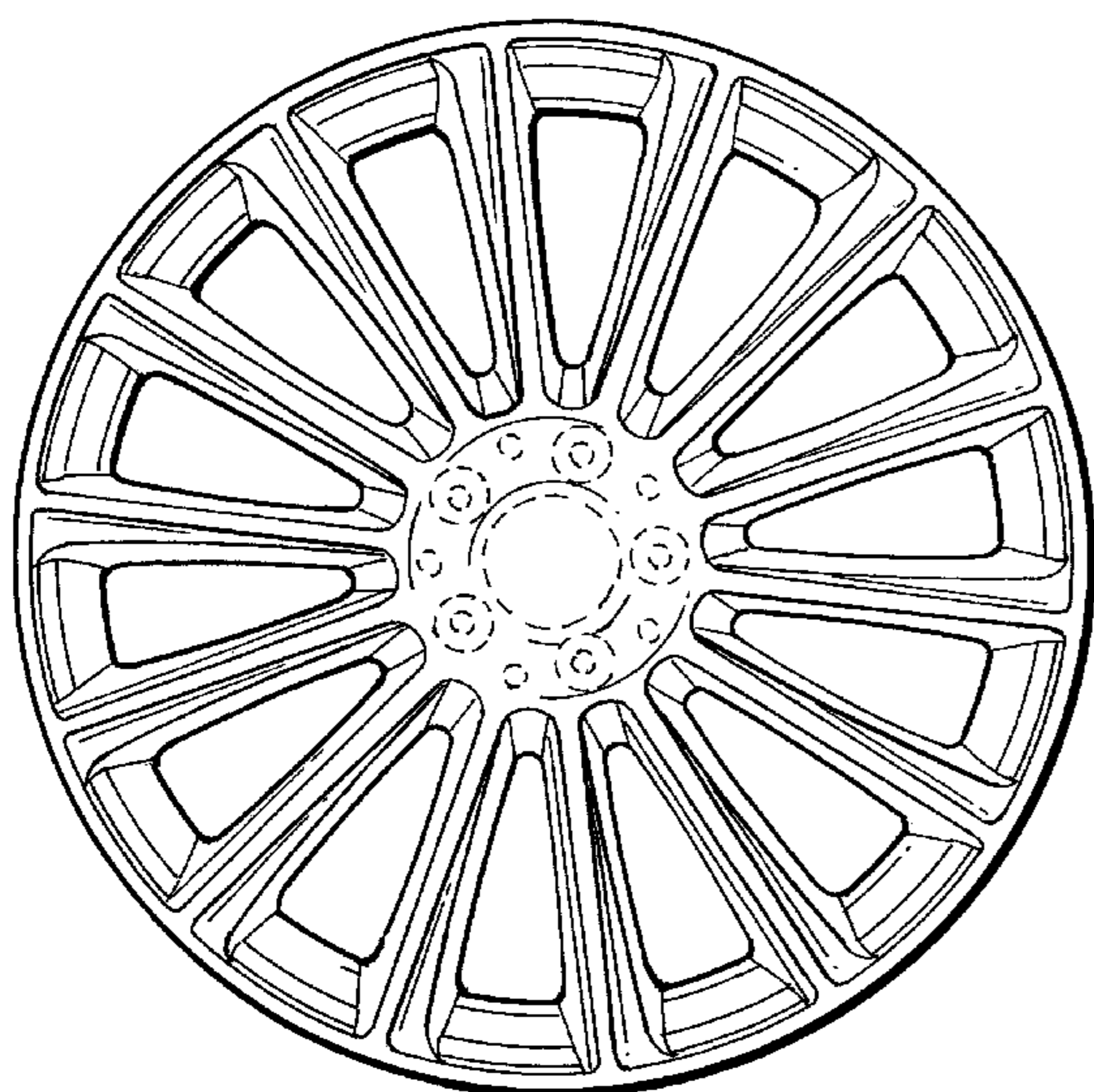
(57) **CLAIM**

The ornamental design for a wheel or wheel cover, as shown and described.

DESCRIPTION

FIG. 1 is a front view of a wheel or wheel cover according to the design; and,
FIG. 2 is a perspective view thereof.
The broken lines are for illustrative purposes only and form no part of the claimed design.

1 Claim, 1 Drawing Sheet



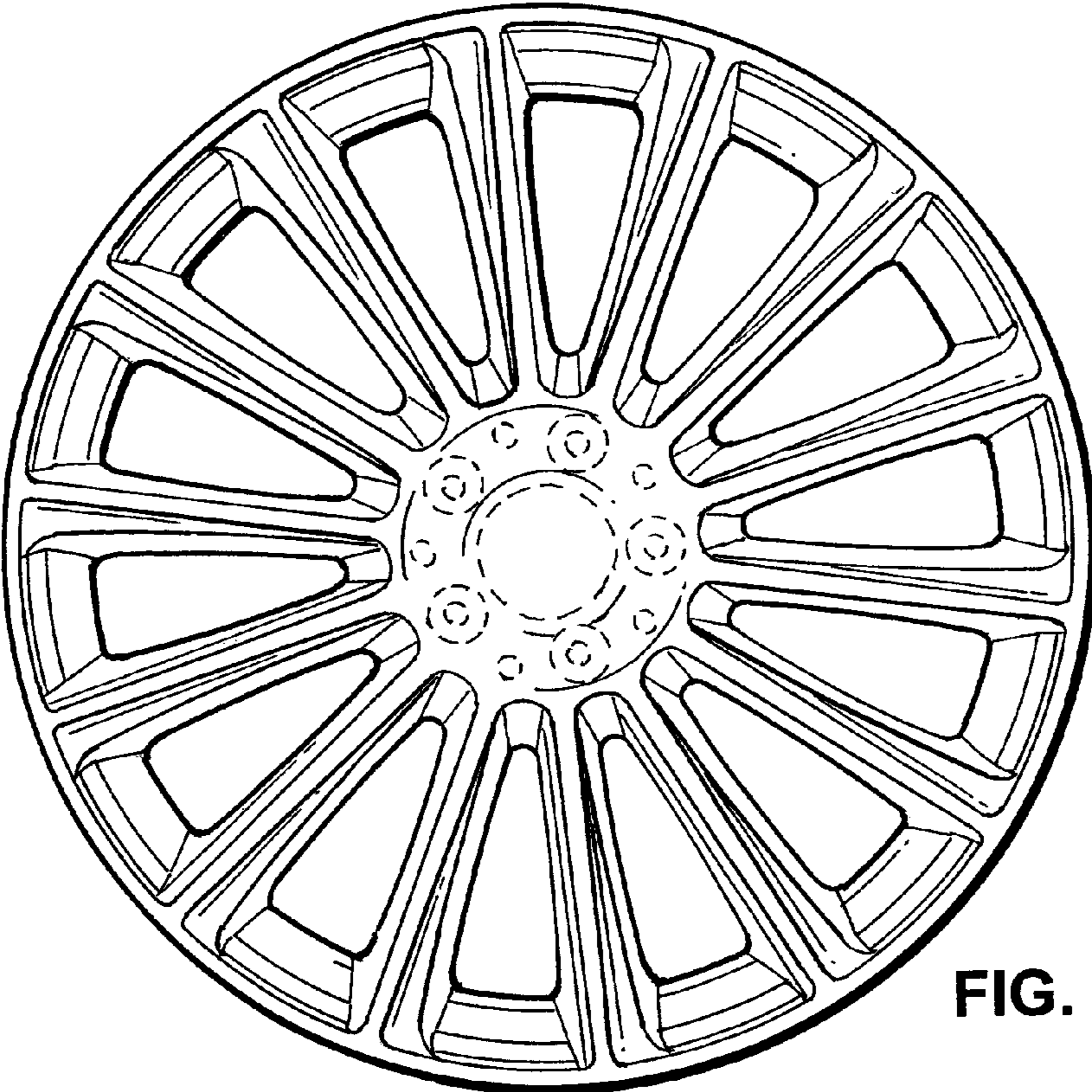


FIG. 1

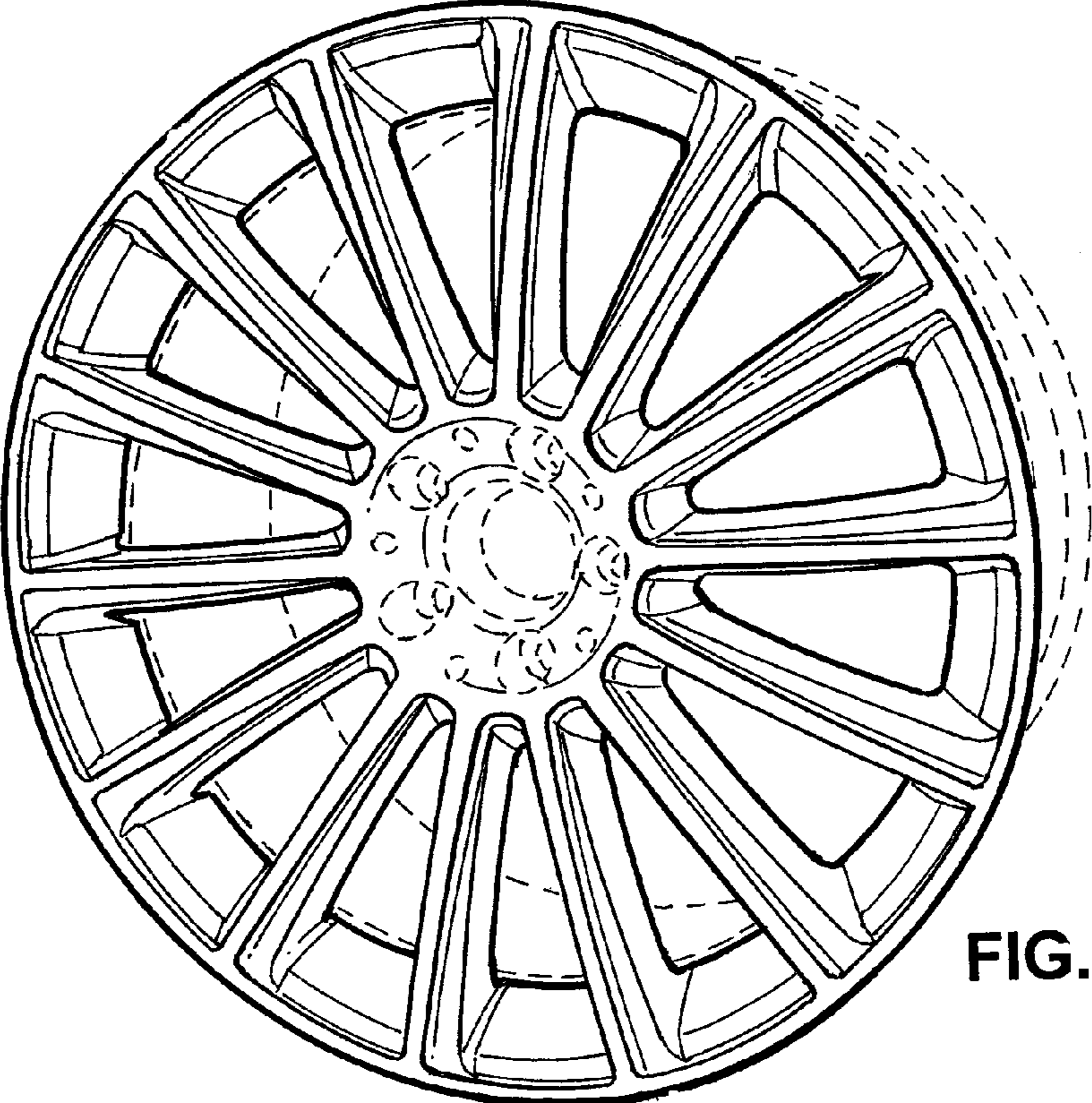


FIG. 2