



US00D726089S

(12) **United States Design Patent**
Hodges

(10) **Patent No.:** **US D726,089 S**

(45) **Date of Patent:** **** Apr. 7, 2015**

(54) **WHEEL**

(71) Applicant: **Frank J. Hodges**, Corona, CA (US)

(72) Inventor: **Frank J. Hodges**, Corona, CA (US)

(**) Term: **14 Years**

(21) Appl. No.: **29/469,083**

(22) Filed: **Oct. 7, 2013**

(51) **LOC (10) Cl.** **12-16**

(52) **U.S. Cl.**
USPC **D12/211**

(58) **Field of Classification Search**
CPC B60B 7/00; B60B 7/02; B60B 7/04;
B60B 7/01; B60B 7/06; B60B 3/02; B60B
3/04; B60B 3/06; B60B 3/10; B60B 1/00;
B60B 1/08; B60B 1/10; B60B 1/12
USPC D12/204-213
See application file for complete search history.

(56) **References Cited**

U.S. PATENT DOCUMENTS

- D450,649 S * 11/2001 Penzes D12/211
- D464,009 S * 10/2002 Laengerer D12/211

- D477,556 S * 7/2003 Koch D12/211
- D508,007 S * 8/2005 Koch D12/211
- D513,728 S * 1/2006 Yazawa et al. D12/211
- D531,951 S * 11/2006 Khan D12/211
- D567,166 S * 4/2008 Bogani D12/209
- D596,548 S * 7/2009 Gallert D12/211
- D609,624 S * 2/2010 Matsubara D12/211
- D658,105 S * 4/2012 Hans et al. D12/211
- D682,180 S * 5/2013 Zhao D12/211
- D688,190 S * 8/2013 Hodges D12/211
- D695,194 S * 12/2013 Kong D12/211
- D701,811 S * 4/2014 Hale, Jr. D12/211
- D701,813 S * 4/2014 Kern D12/211

* cited by examiner

Primary Examiner — Stacia Cadmus

(74) *Attorney, Agent, or Firm* — Eric B. Alspaugh

(57) **CLAIM**

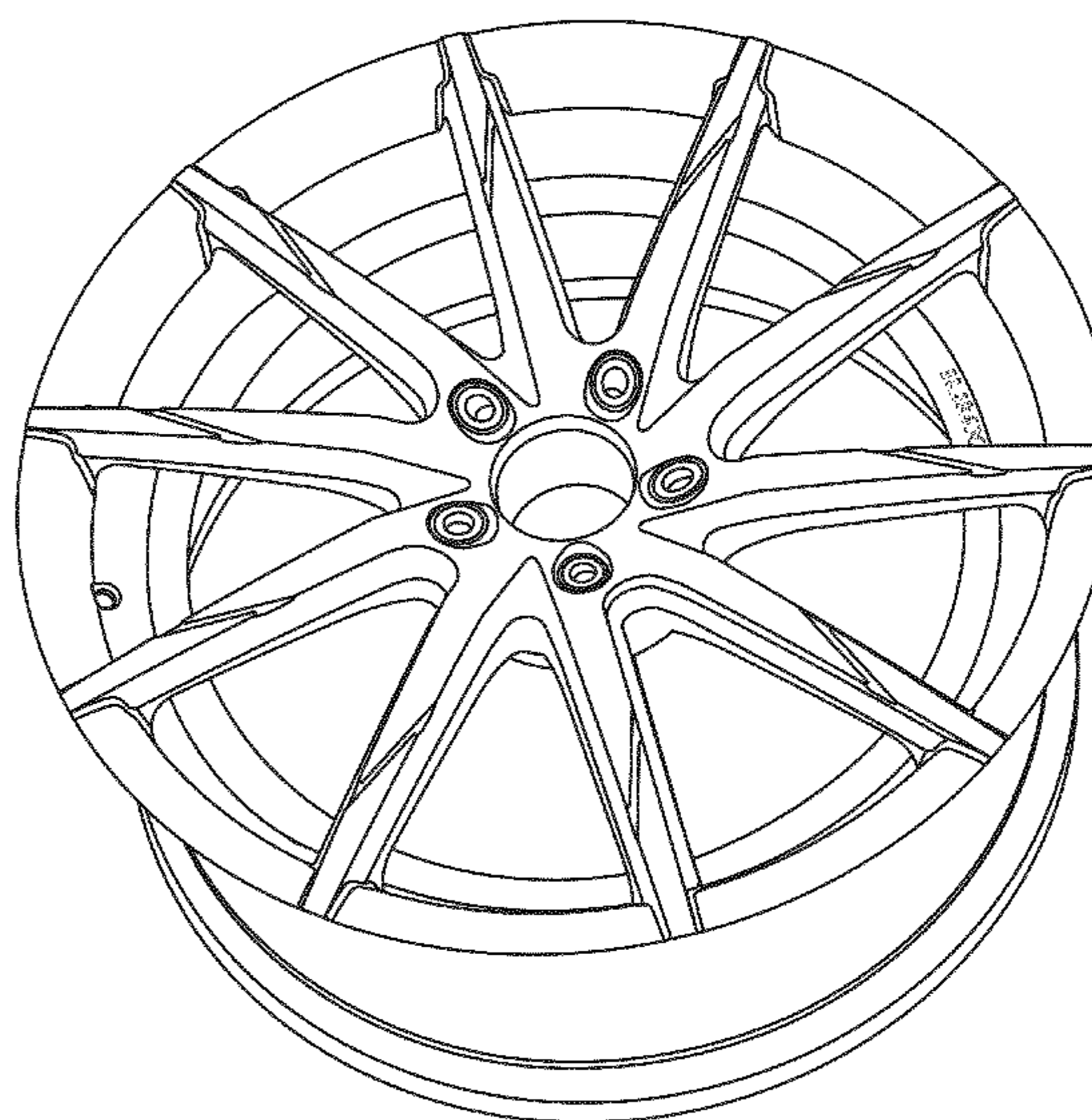
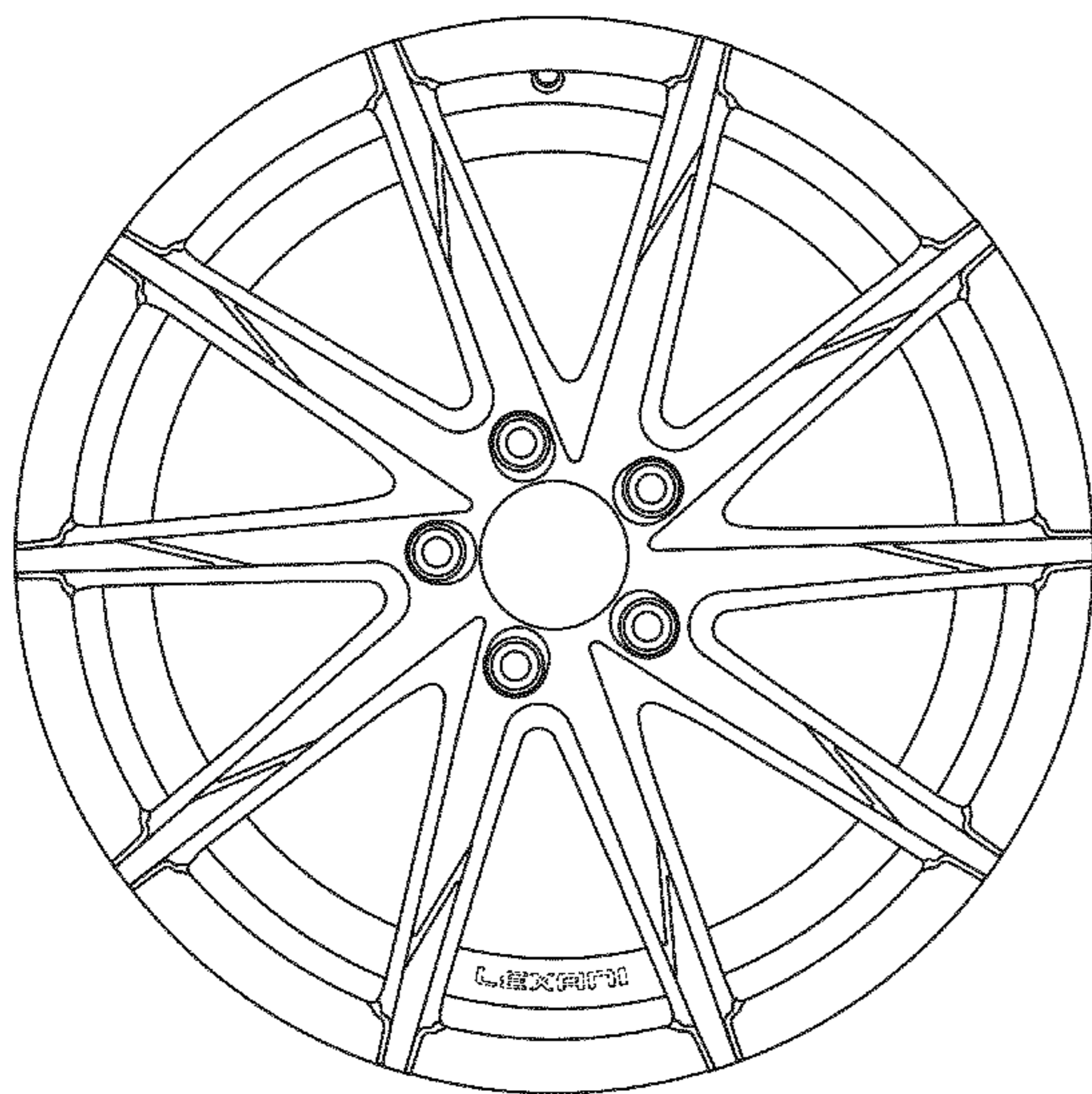
The ornamental design for a wheel, as shown and described.

DESCRIPTION

FIG. 1 is a front view of a wheel, showing my new design;
FIG. 2 is a perspective view thereof; and,
FIG. 3 is a side view thereof.

The broken line showing of the logo is included for the
purpose of illustrating environment and forms no part of the
claimed design.

1 Claim, 3 Drawing Sheets



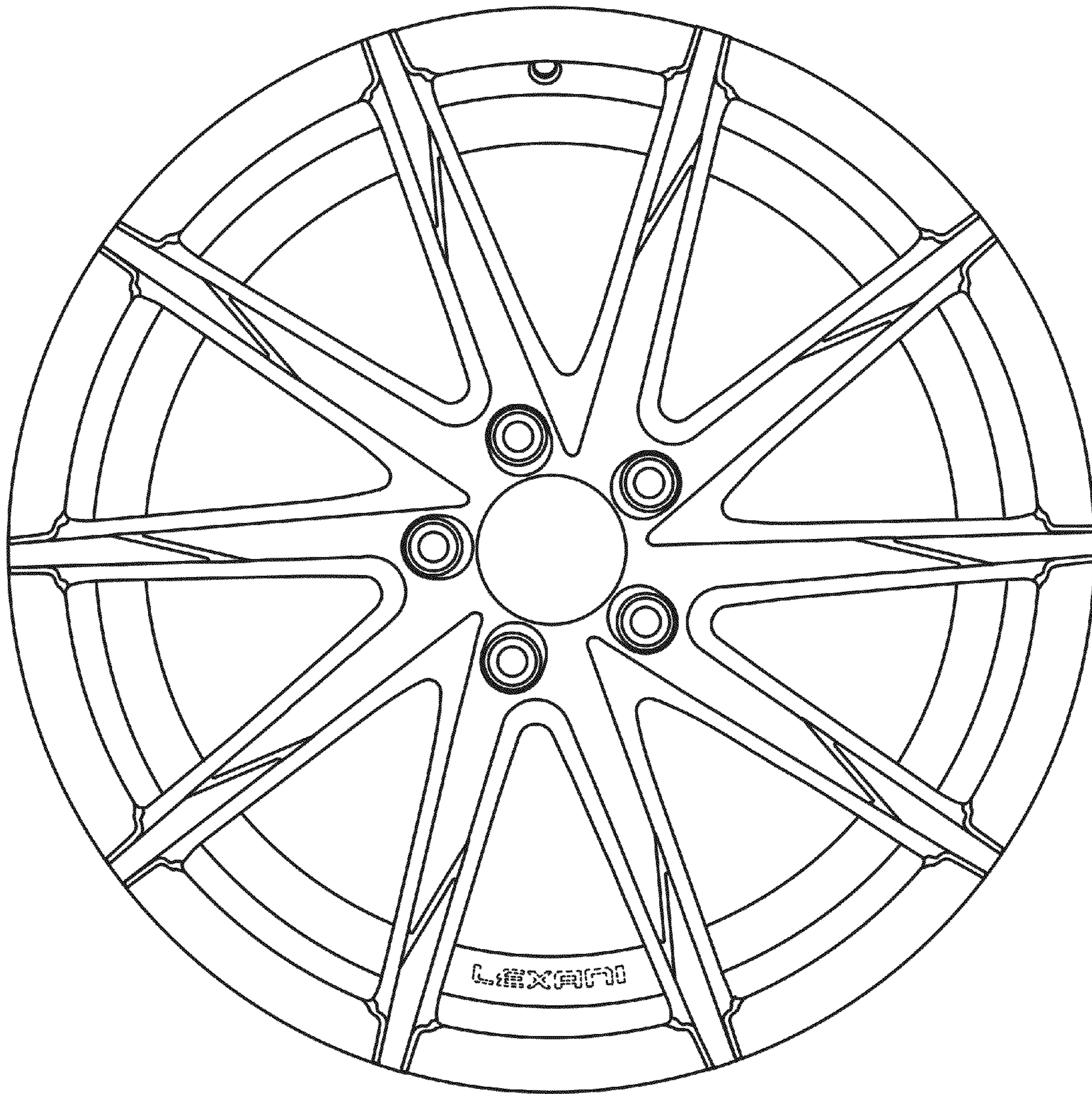


Fig. 1

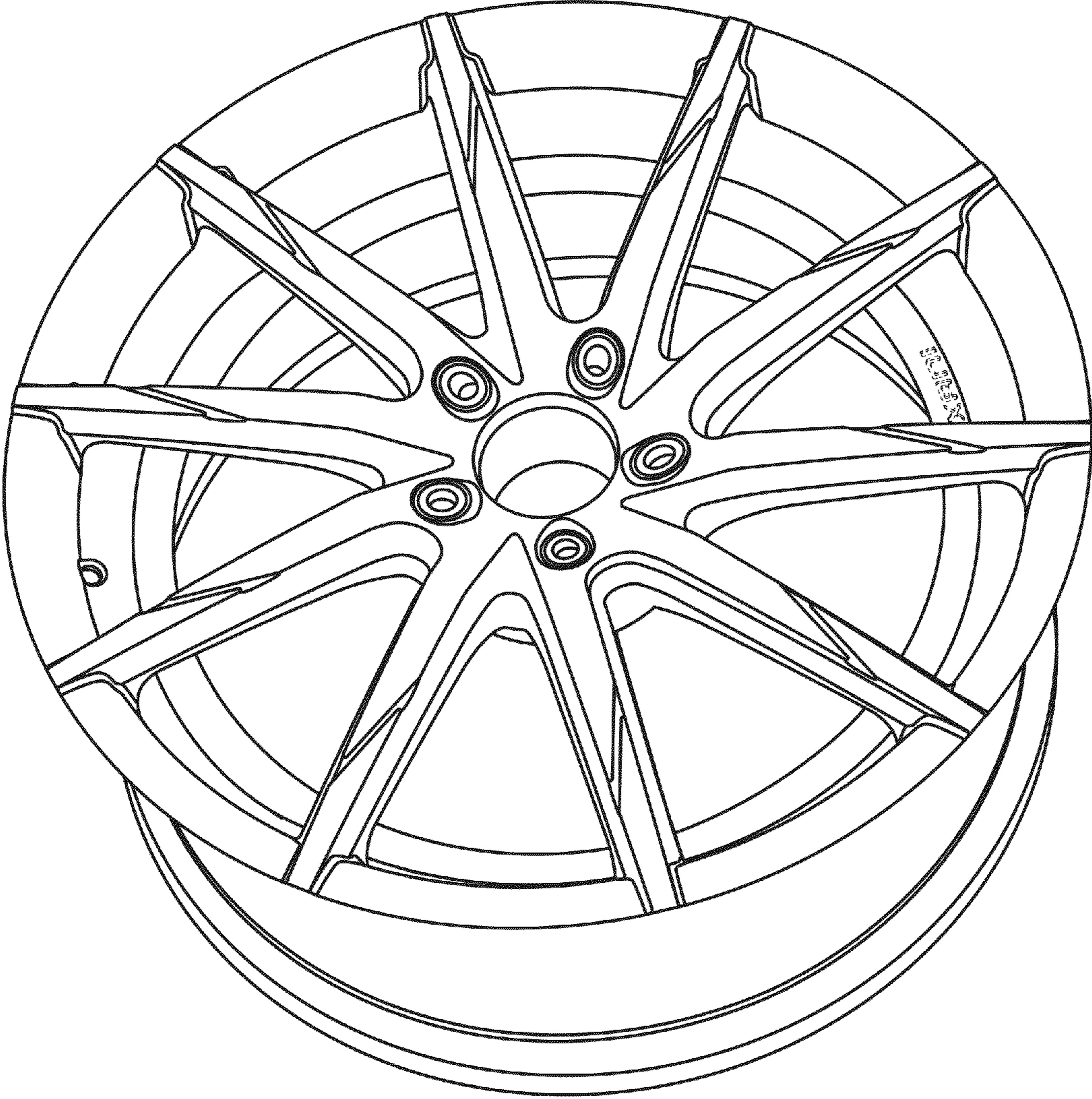


Fig. 2

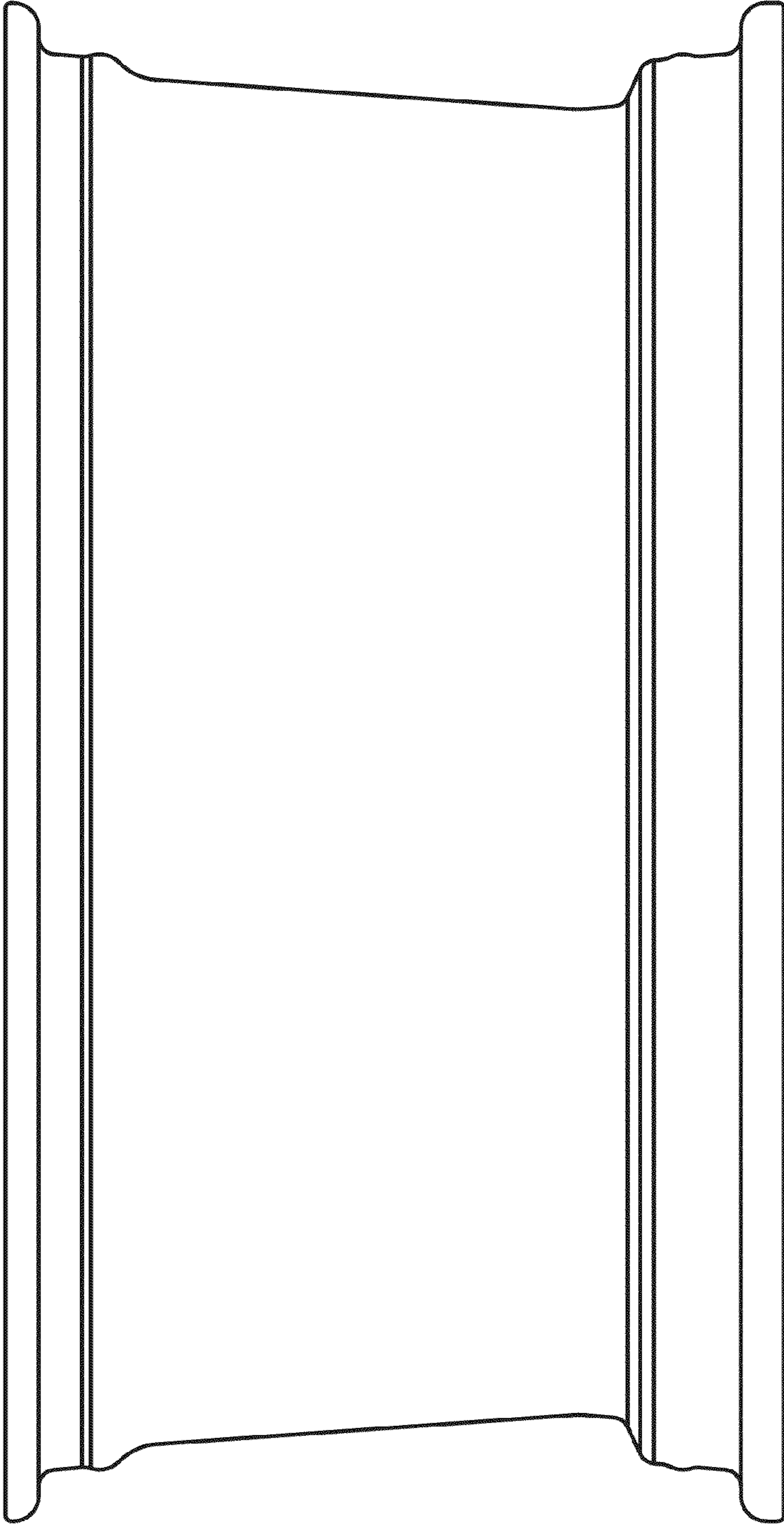


Fig. 3