



US00D726087S

(12) **United States Design Patent**
Breyton

(10) **Patent No.:** **US D726,087 S**

(45) **Date of Patent:** **** Apr. 7, 2015**

(54) **WHEEL RIM**

(71) Applicant: **bd breyton design GmbH**, Stockach (DE)

(72) Inventor: **Edmund Breyton**, Stockach (DE)

(73) Assignee: **BD Breyton Design GmbH**, Stockach (DE)

(**) Term: **14 Years**

(21) Appl. No.: **29/434,665**

(22) Filed: **Oct. 16, 2012**

(51) **LOC (10) Cl.** **12-16**

(52) **U.S. Cl.**
USPC **D12/211**

(58) **Field of Classification Search**
CPC B60B 7/00; B60B 7/02; B60B 7/04;
B60B 7/01; B60B 7/06; B60B 3/02; B60B
3/04; B60B 3/06; B60B 3/10; B60B 1/00;
B60B 1/08; B60B 1/10; B60B 1/12
USPC D12/204-213
See application file for complete search history.

(56) **References Cited**

U.S. PATENT DOCUMENTS

D348,243	S	*	6/1994	Echazabal et al.	D12/211
D350,932	S	*	9/1994	Echazabel et al.	D12/211
D395,270	S	*	6/1998	Baumgartner et al.	D12/211
D398,898	S	*	9/1998	Baumgartner et al.	D12/211
D405,409	S	*	2/1999	Baumgartner	D12/211
D406,092	S	*	2/1999	Baumgartner	D12/211
D410,426	S	*	6/1999	Frizzi	D12/211
D416,849	S	*	11/1999	Weidhase	D12/211
D527,332	S	*	8/2006	Khan	D12/211
D541,202	S	*	4/2007	Baumgartner	D12/211

D558,117	S	*	12/2007	Baum et al.	D12/211
D591,661	S	*	5/2009	Baum	D12/209
D595,632	S	*	7/2009	Hernandez	D12/211
D597,015	S	*	7/2009	Juergens et al.	D12/211
D622,199	S	*	8/2010	Gallert	D12/211
D636,320	S	*	4/2011	Lamm et al.	D12/211
D638,339	S	*	5/2011	Tirado	D12/209
D660,769	S	*	5/2012	Pollmann	D12/211
D661,239	S	*	6/2012	Pollmann et al.	D12/209
D662,025	S	*	6/2012	Ettensberger	D12/209
D670,225	S	*	11/2012	Muller	D12/211
D670,226	S	*	11/2012	Muller	D12/211
D684,517	S	*	6/2013	Scheinutte	D12/211
D685,311	S	*	7/2013	Alfonso	D12/211
D688,189	S	*	8/2013	Alfonso	D12/211
D713,773	S	*	9/2014	Scheinutte	D12/209

* cited by examiner

Primary Examiner — Stacia Cadmus

(74) *Attorney, Agent, or Firm* — Marilyn Matthes Brogan; Paul A. Levy; Frommer Lawrence & Haug LLP

(57) **CLAIM**

The ornamental design for a wheel rim, as shown and described.

DESCRIPTION

FIG. 1 is a perspective view of a wheel rim, showing my new design;

FIG. 2 is a front view thereof;

FIG. 3 is another perspective thereof;

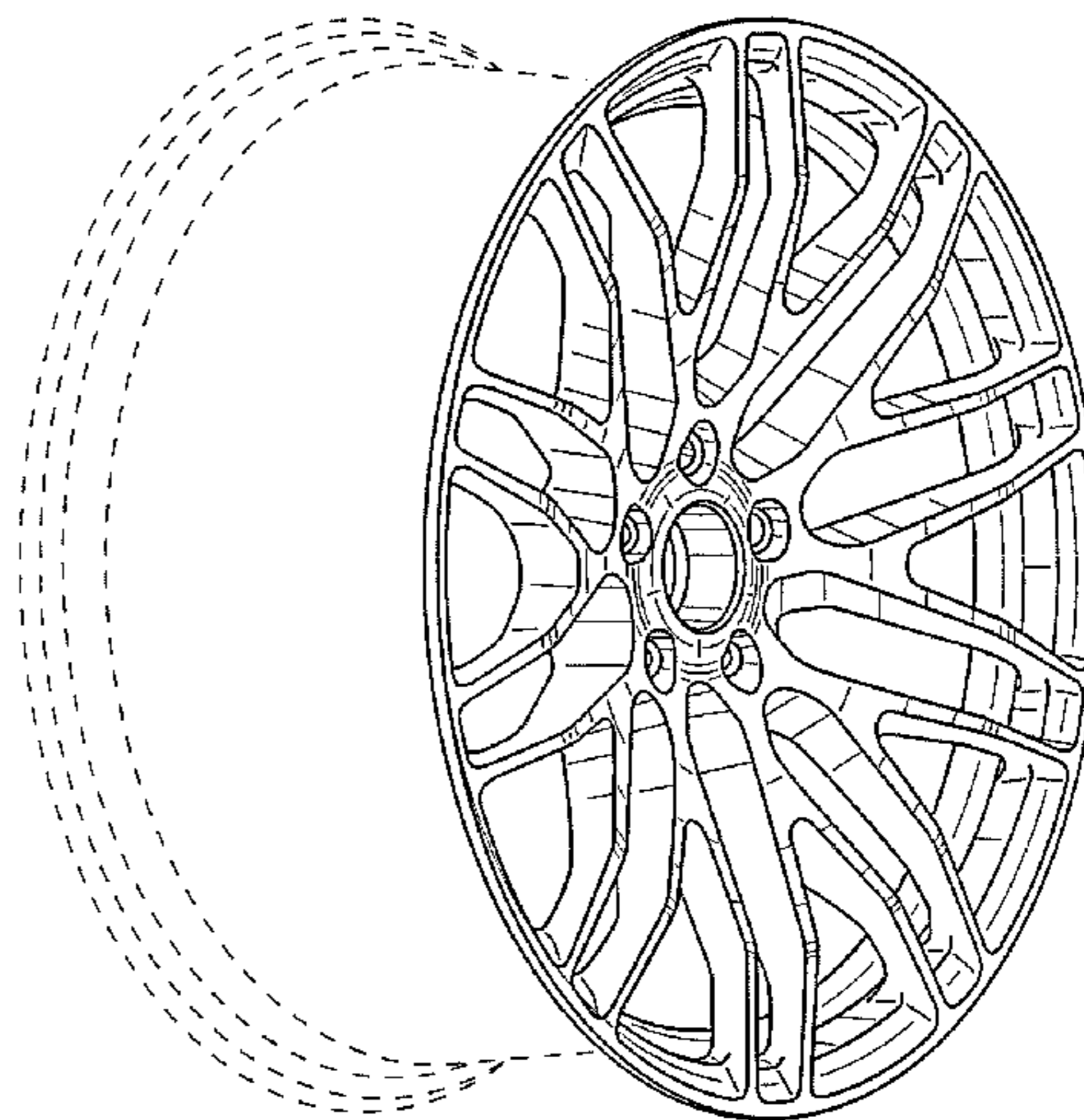
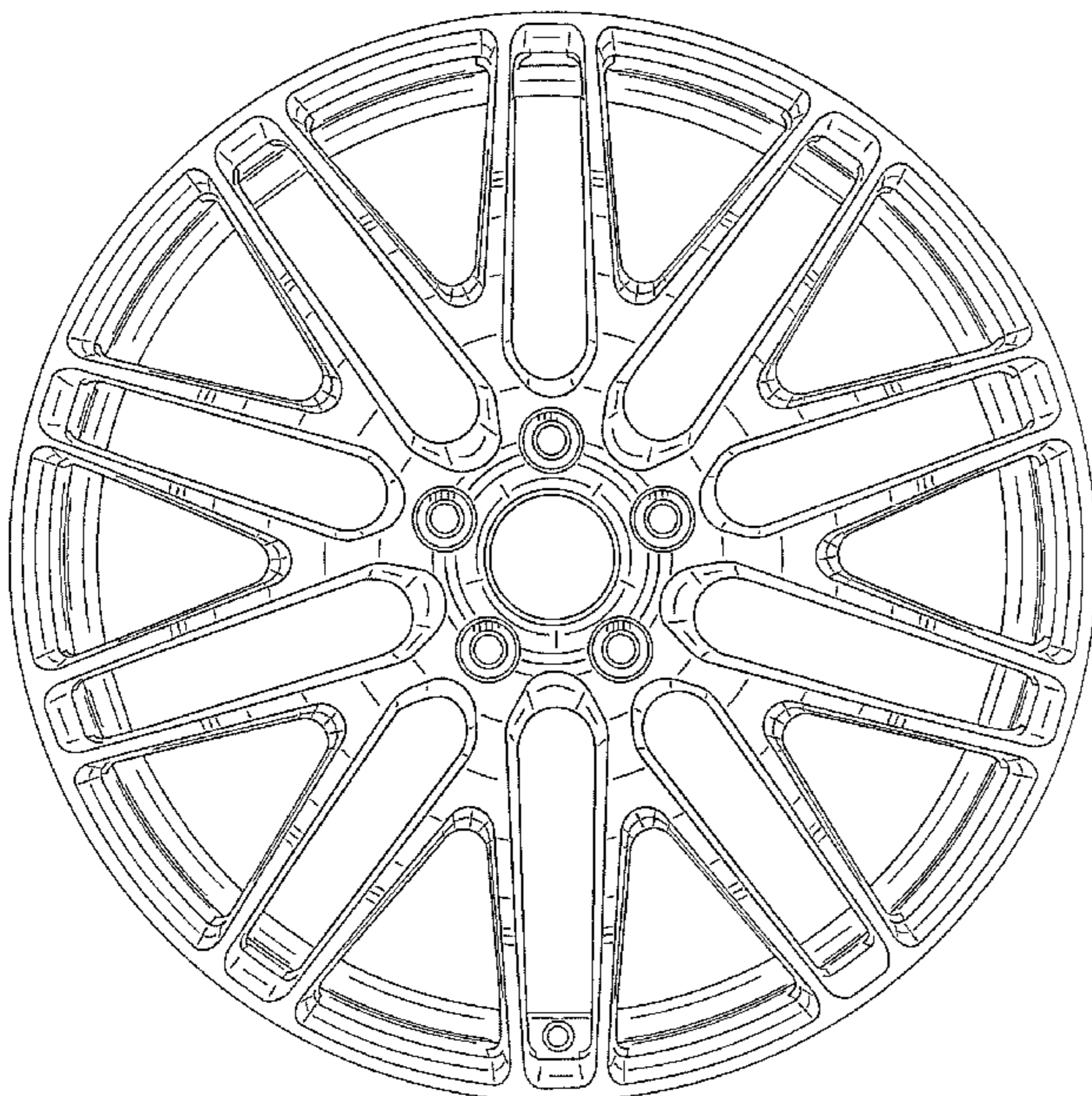
FIG. 4 is a perspective view of a second embodiment of a wheel rim, showing my new design;

FIG. 5 is a front view of FIG. 4; and,

FIG. 6 is another perspective of FIG. 4.

The broken lines shown in the figures are for the purpose of illustrating structure that forms no part of the claimed design.

1 Claim, 6 Drawing Sheets



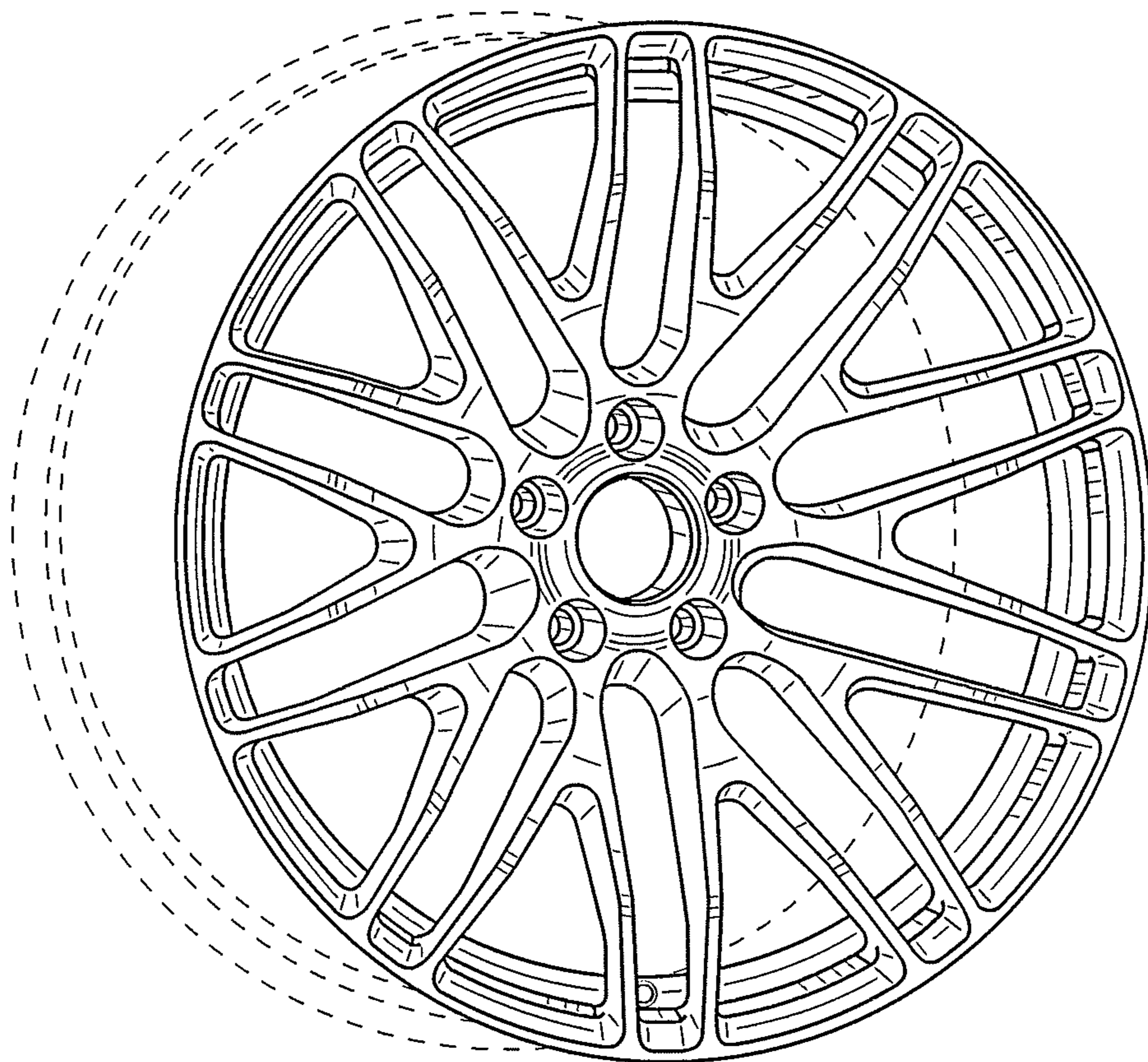


Fig. 1

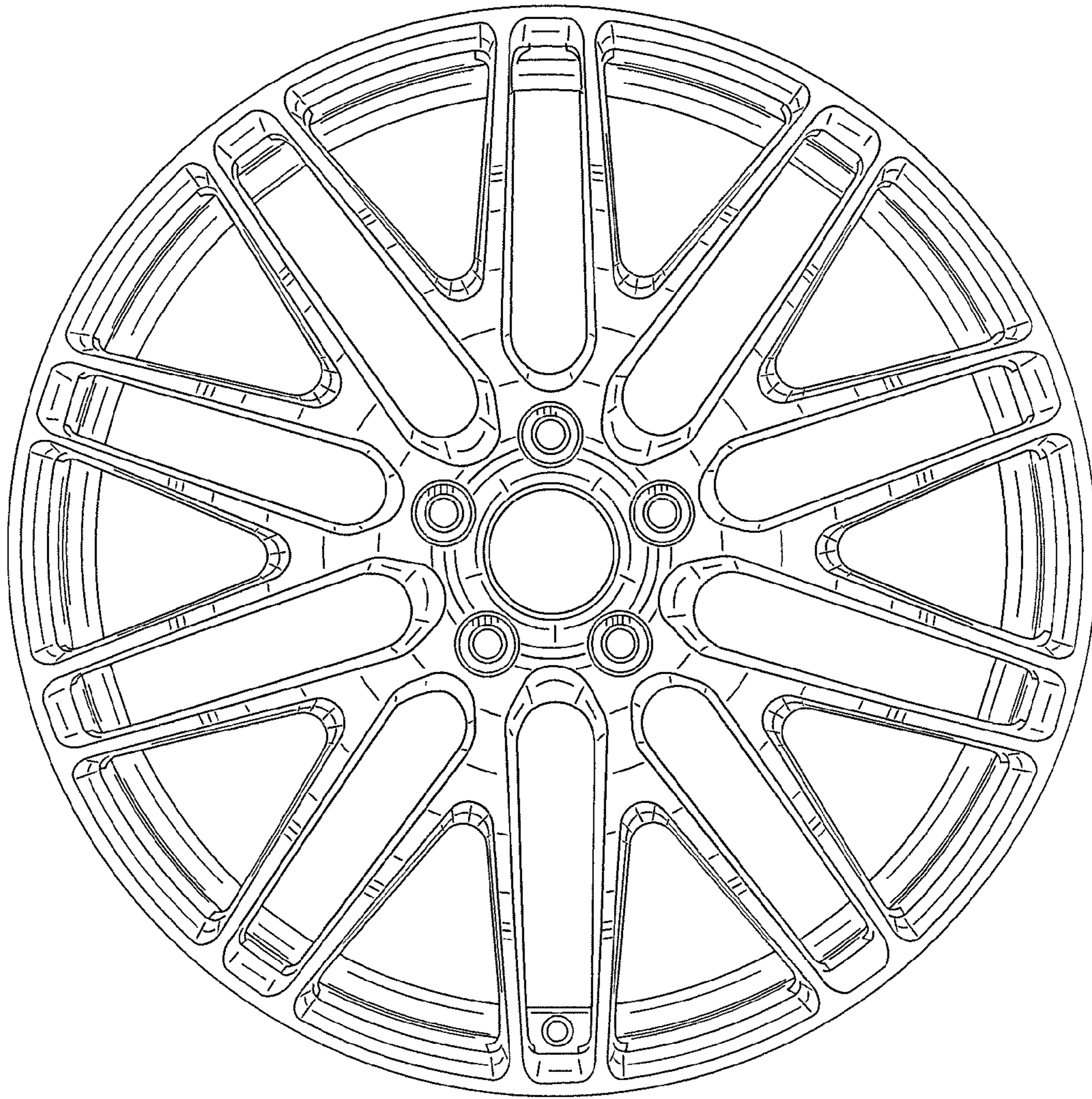


Fig. 2

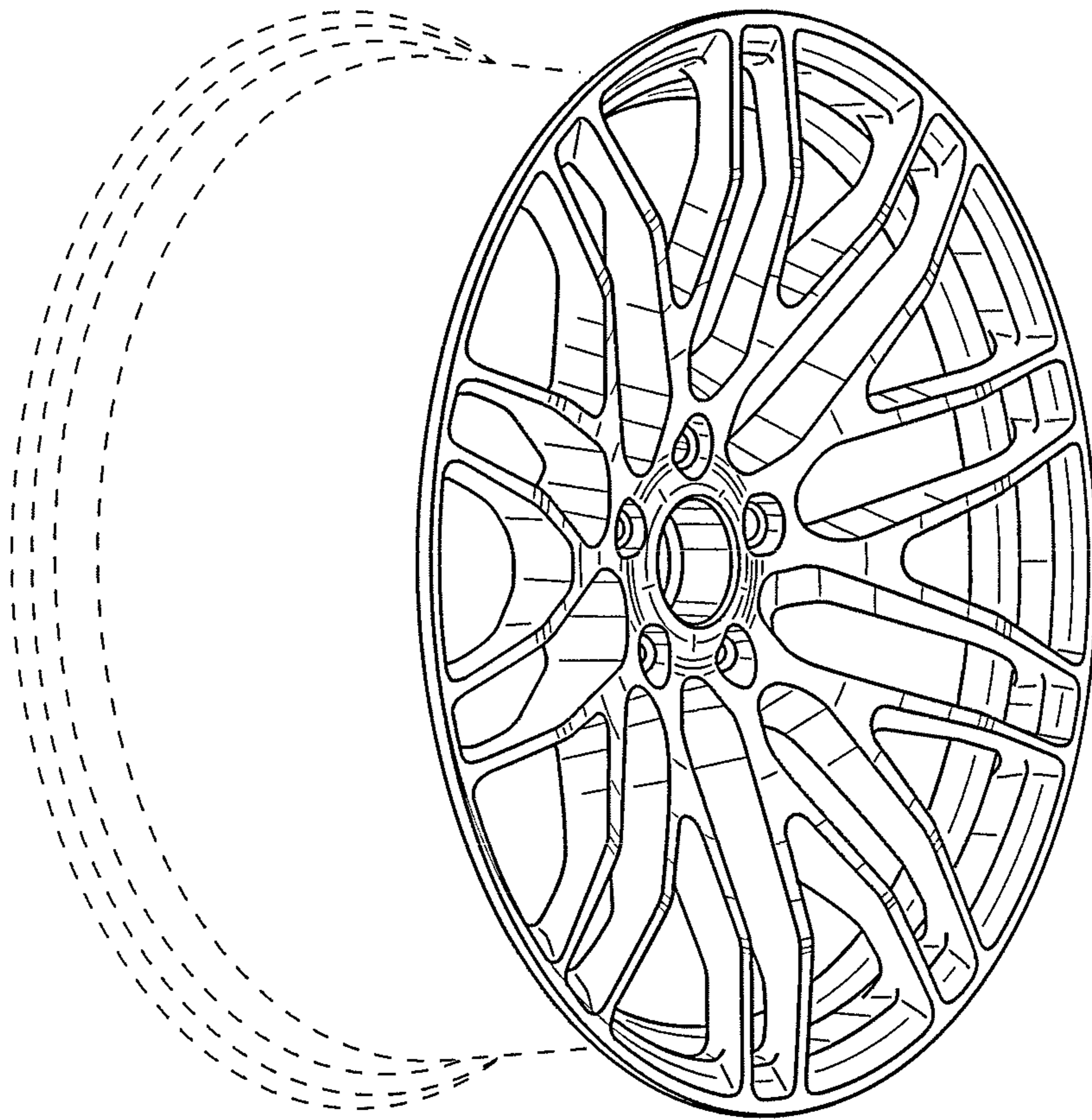


Fig. 3

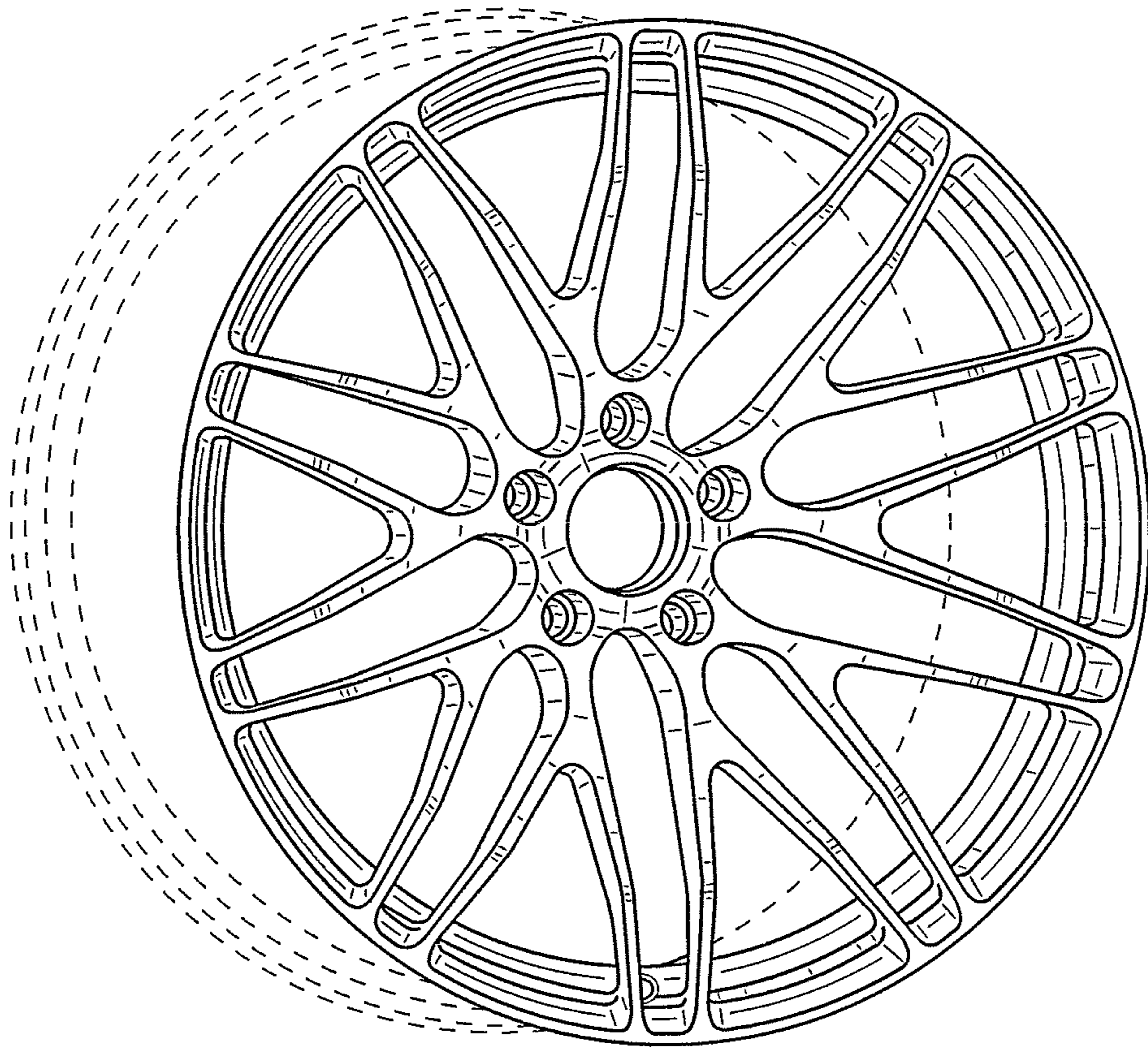


Fig. 4

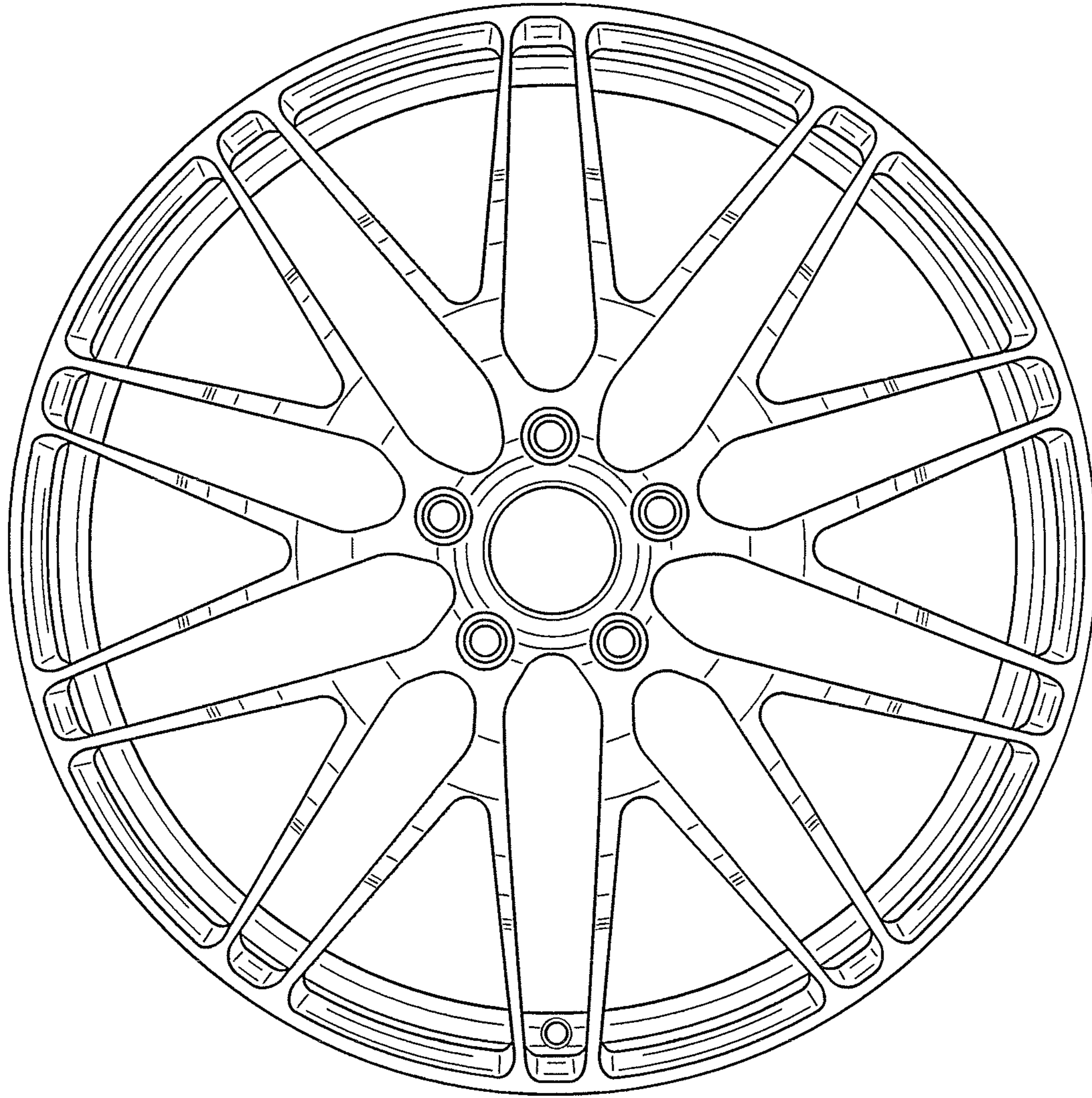


FIG. 5

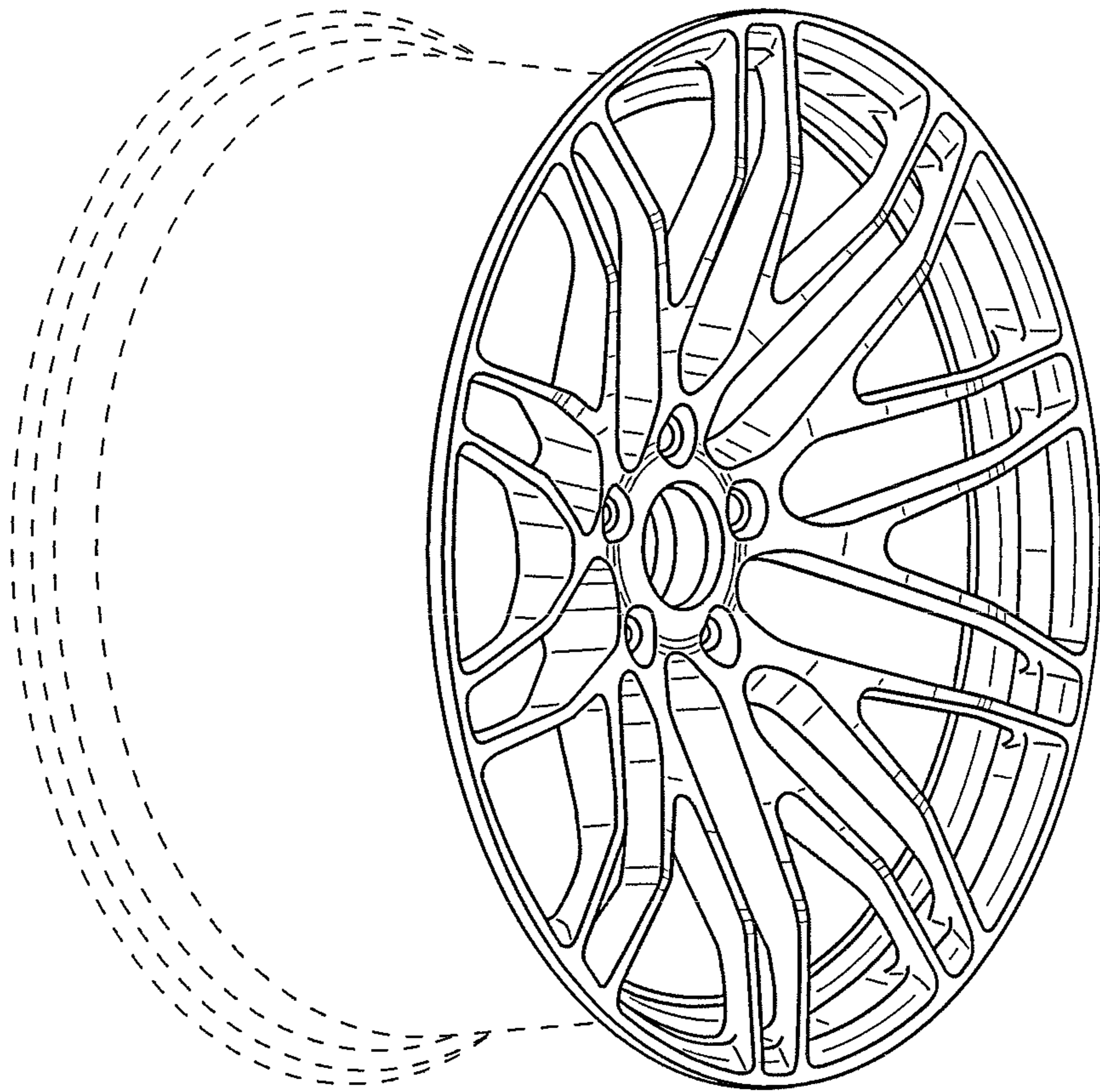


Fig. 6