

US00D726086S

(12) **United States Design Patent**
Muntada Roura

(10) **Patent No.:** **US D726,086 S**

(45) **Date of Patent:** **** Apr. 7, 2015**

(54) **VEHICLE WHEEL RIM**

(71) Applicant: **Audi AG**, Ingolstadt (DE)

(72) Inventor: **Cesar Muntada Roura**, Pfaffenhofen an der Ilm (DE)

(73) Assignee: **Audi AG**, Ingolstadt (DE)

(**) Term: **14 Years**

(21) Appl. No.: **29/499,931**

(22) Filed: **Aug. 20, 2014**

(30) **Foreign Application Priority Data**

Feb. 20, 2014 (EM) 002 408 328-0004

(51) **LOC (10) Cl.** **12-16**

(52) **U.S. Cl.**
USPC **D12/209**

(58) **Field of Classification Search**
CPC B60B 7/00; B60B 7/02; B60B 7/04;
B60B 7/01; B60B 7/06; B60B 3/02; B60B
3/04; B60B 3/06; B60B 3/10; B60B 1/00;
B60B 1/08; B60B 1/10; B60B 1/12
USPC D12/204-213
See application file for complete search history.

(56) **References Cited**

U.S. PATENT DOCUMENTS

D390,822 S * 2/1998 Neeper D12/209
D588,517 S * 3/2009 Aroney D12/211
D590,322 S * 4/2009 Rak D12/211

D644,158 S * 8/2011 Nissl D12/211
D655,657 S * 3/2012 Juergens et al. D12/209
D669,833 S * 10/2012 Pollmann D12/209
D671,475 S * 11/2012 Juergens et al. D12/209
D678,164 S * 3/2013 Badstuebner D12/211
D681,531 S * 5/2013 Fetherston et al. D12/209
D683,681 S * 6/2013 Juergens et al. D12/209
D685,709 S * 7/2013 Hanaoka D12/209
D686,132 S * 7/2013 Truebsbach D12/209
D695,186 S * 12/2013 Pollmann D12/209
D695,187 S * 12/2013 Mielke et al. D12/209
D695,668 S * 12/2013 Juergens et al. D12/209
D709,427 S * 7/2014 Clottu D12/209
D710,286 S * 8/2014 Yamaguchi D12/209
D713,315 S * 9/2014 Juergens et al. D12/209
D715,209 S * 10/2014 Tovey D12/209

FOREIGN PATENT DOCUMENTS

IN 223196 6/2009

* cited by examiner

Primary Examiner — Stacia Cadmus

(74) *Attorney, Agent, or Firm* — Lucas & Mercanti, LLP;
Klaus P. Stoffel

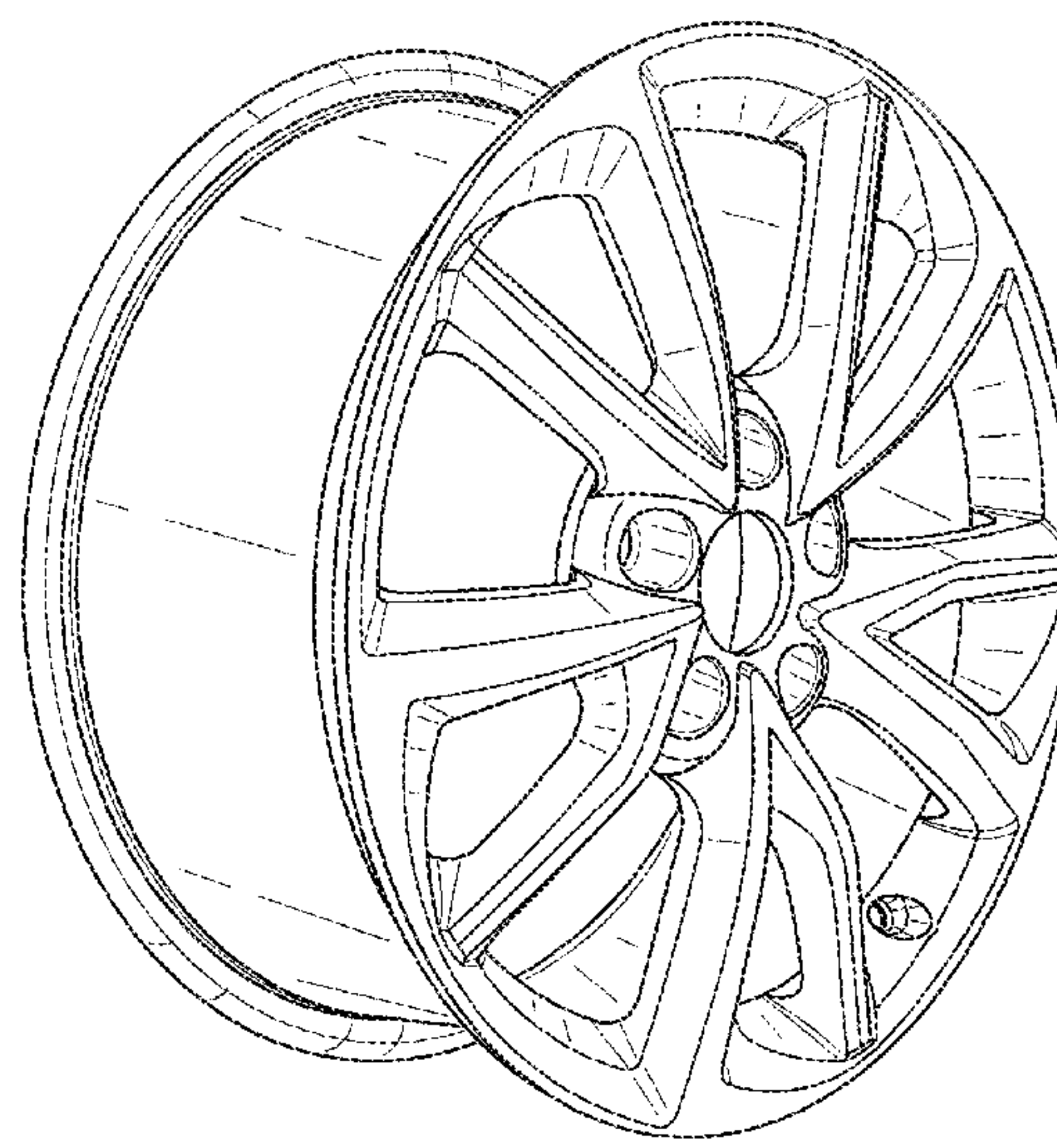
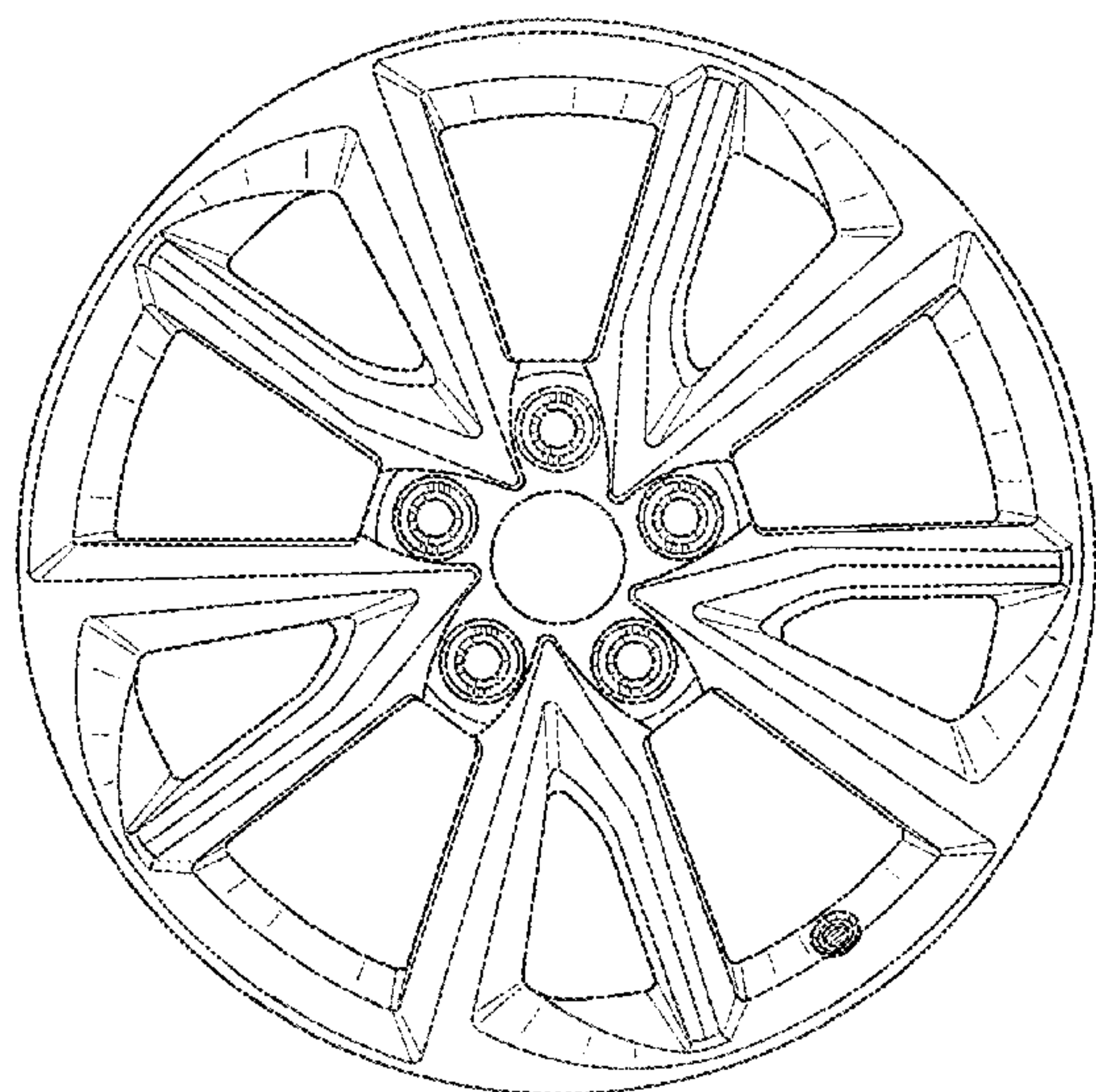
(57) **CLAIM**

The ornamental design for a vehicle wheel rim, as shown and described.

DESCRIPTION

FIG. 1 is a front view of the vehicle wheel rim of the present invention; and,
FIG. 2 is a front, side perspective view thereof.

1 Claim, 2 Drawing Sheets



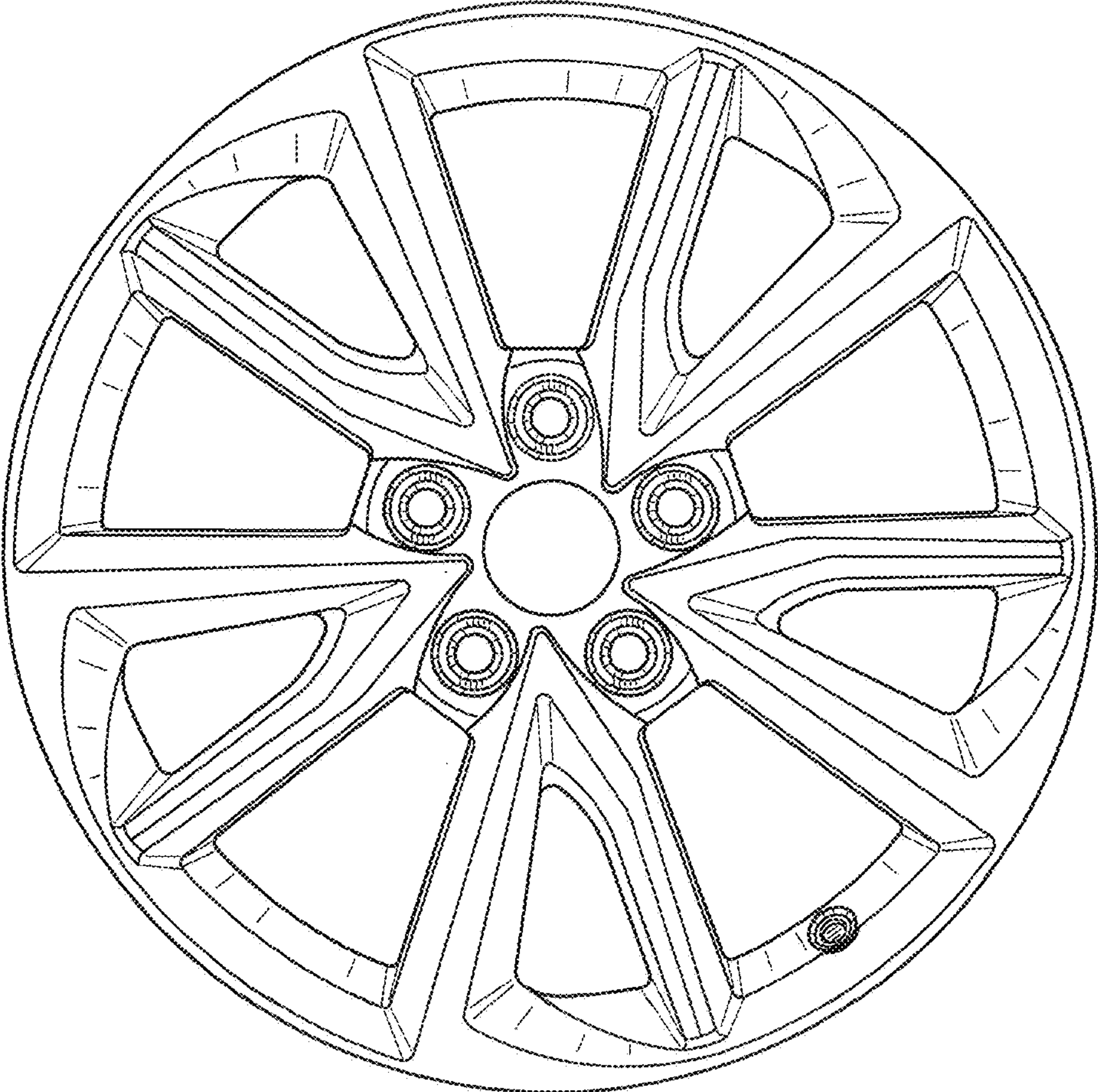


FIG. 1

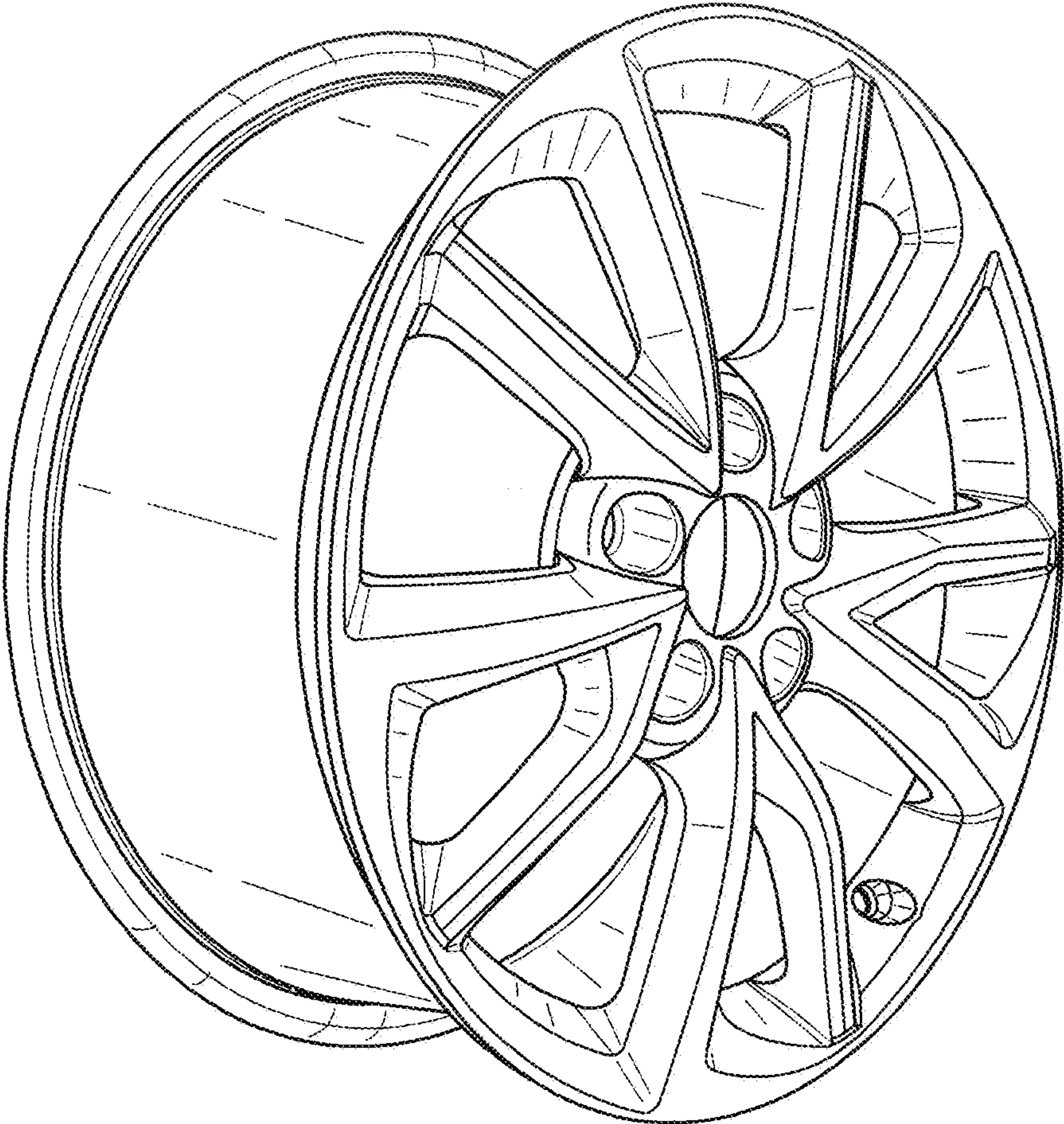


FIG. 2