



US00D726085S

(12) **United States Design Patent**
Hodges

(10) **Patent No.:** **US D726,085 S**

(45) **Date of Patent:** **** Apr. 7, 2015**

(54) **WHEEL**

(71) Applicant: **Frank J. Hodges**, Corona, CA (US)

(72) Inventor: **Frank J. Hodges**, Corona, CA (US)

(**) Term: **14 Years**

(21) Appl. No.: **29/471,725**

(22) Filed: **Nov. 4, 2013**

(51) **LOC (10) Cl.** **12-16**

(52) **U.S. Cl.**
USPC **D12/209**

(58) **Field of Classification Search**
CPC B60B 7/00; B60B 7/02; B60B 7/04;
B60B 7/01; B60B 7/06; B60B 3/04; B60B
3/10; B60B 3/06; B60B 3/02; B60B 1/00;
B60B 1/10; B60B 1/08; B60B 1/12
USPC D12/204–213
See application file for complete search history.

(56) **References Cited**

U.S. PATENT DOCUMENTS

D437,819	S	*	2/2001	Brown et al.	D12/209
D466,853	S	*	12/2002	Maifrini	D12/211
D478,031	S	*	8/2003	Brown et al.	D12/211
D480,343	S	*	10/2003	Oh	D12/209
D520,433	S	*	5/2006	Hosoi	D12/211
D526,262	S	*	8/2006	Guevara	D12/209
D527,334	S	*	8/2006	Hettler	D12/211
D551,609	S	*	9/2007	Hettler	D12/211
D574,310	S	*	8/2008	Huet	D12/209
D575,718	S	*	8/2008	Pfeiffer	D12/211
D604,220	S	*	11/2009	Penano	D12/209
D645,391	S	*	9/2011	Weil	D12/209
D660,768	S	*	5/2012	De Bono	D12/211

* cited by examiner

Primary Examiner — Stacia Cadmus

(74) *Attorney, Agent, or Firm* — Eric B. Alspaugh

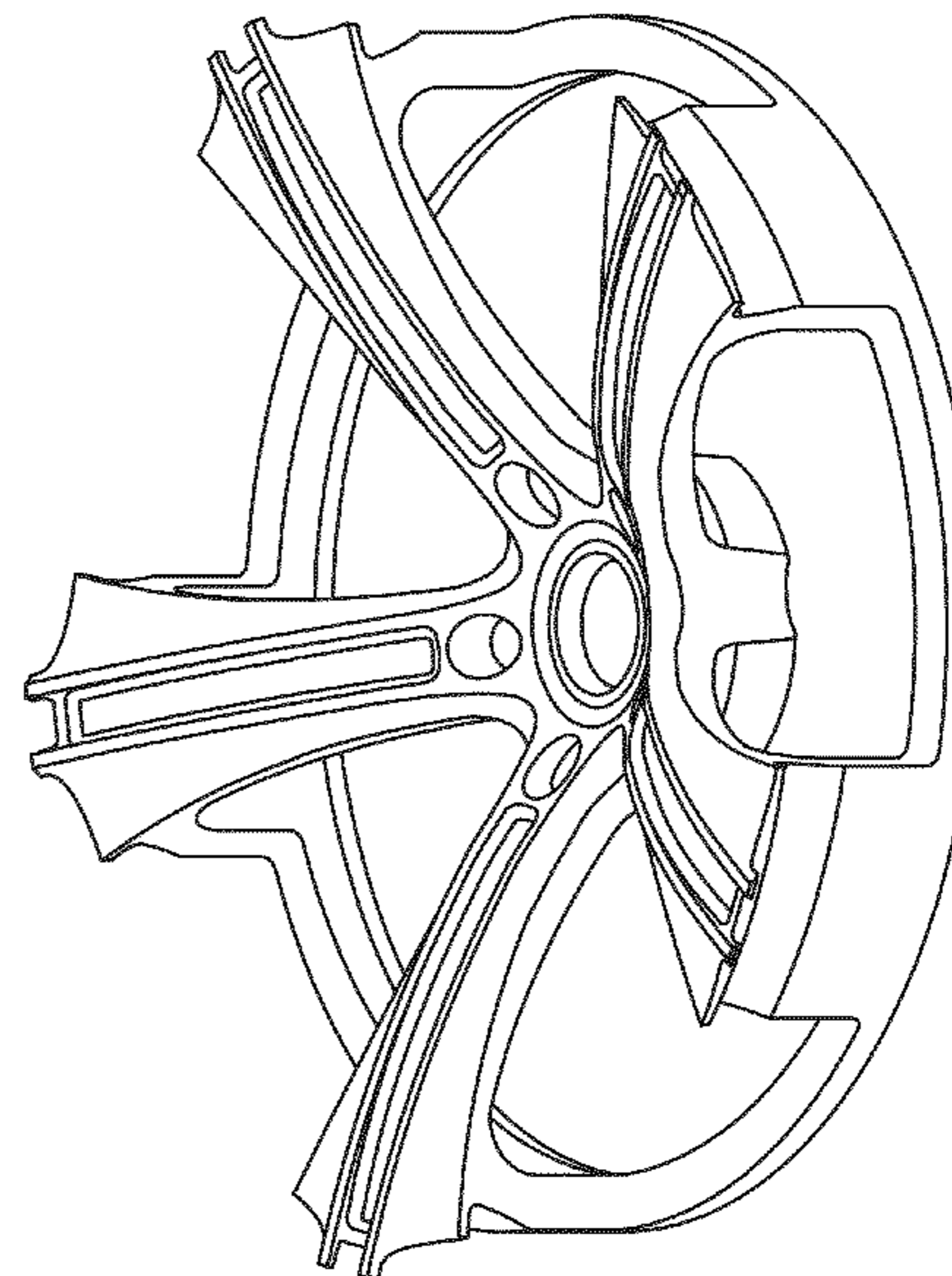
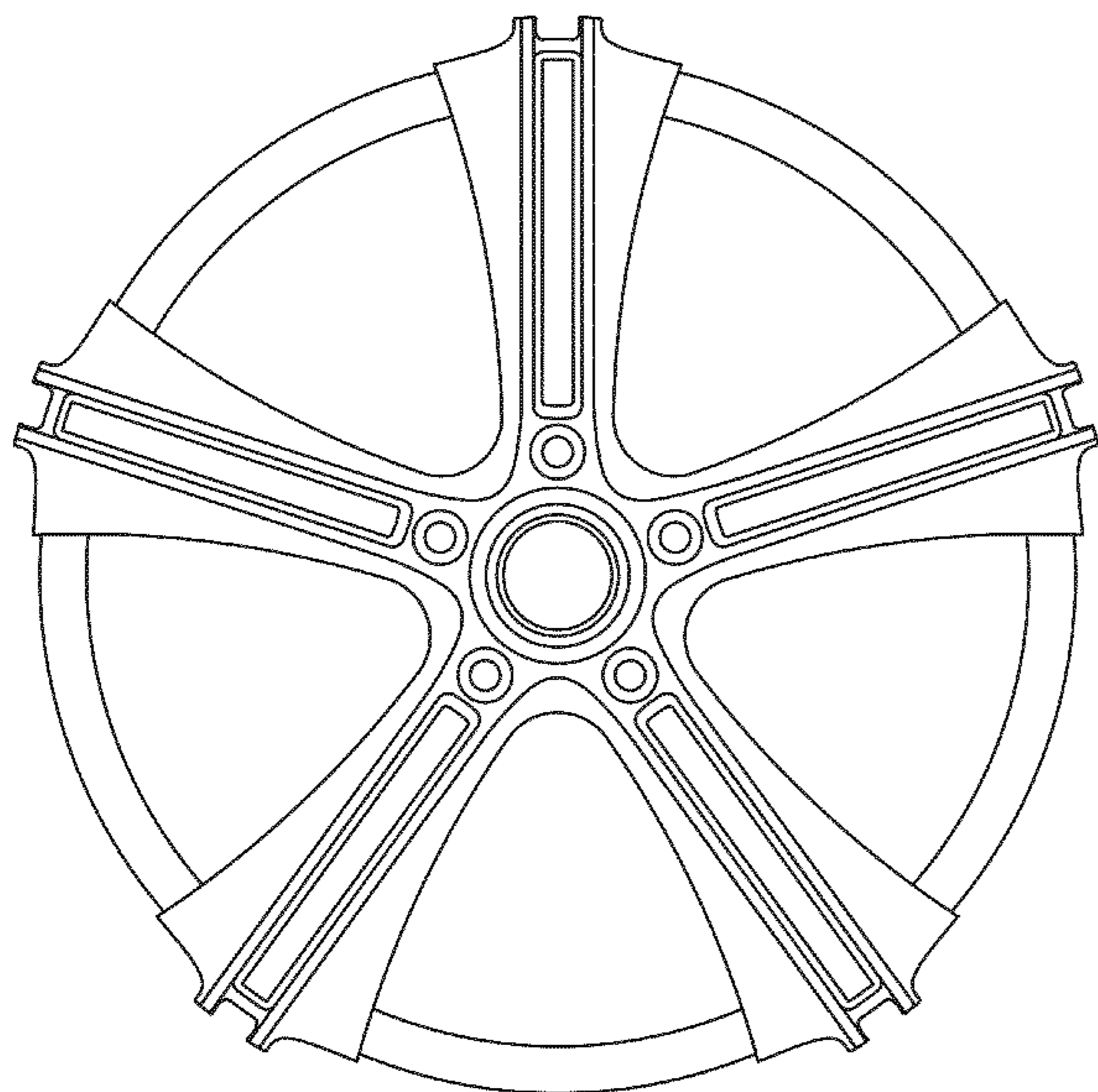
(57) **CLAIM**

The ornamental design for a wheel, as shown and described.

DESCRIPTION

FIG. 1 is a front view of a wheel showing my new design; and, FIG. 2 is a perspective view thereof.

1 Claim, 2 Drawing Sheets



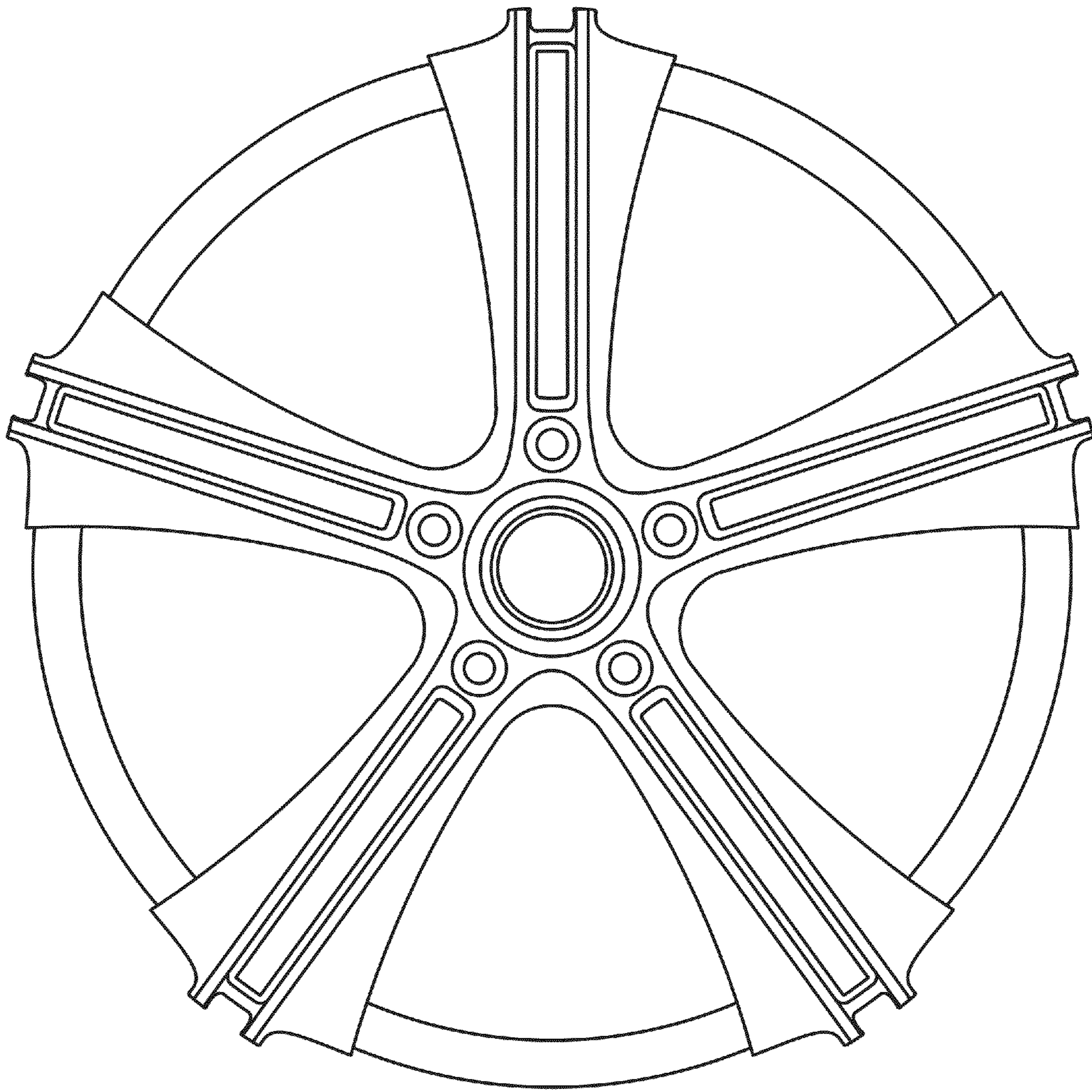


Fig. 1

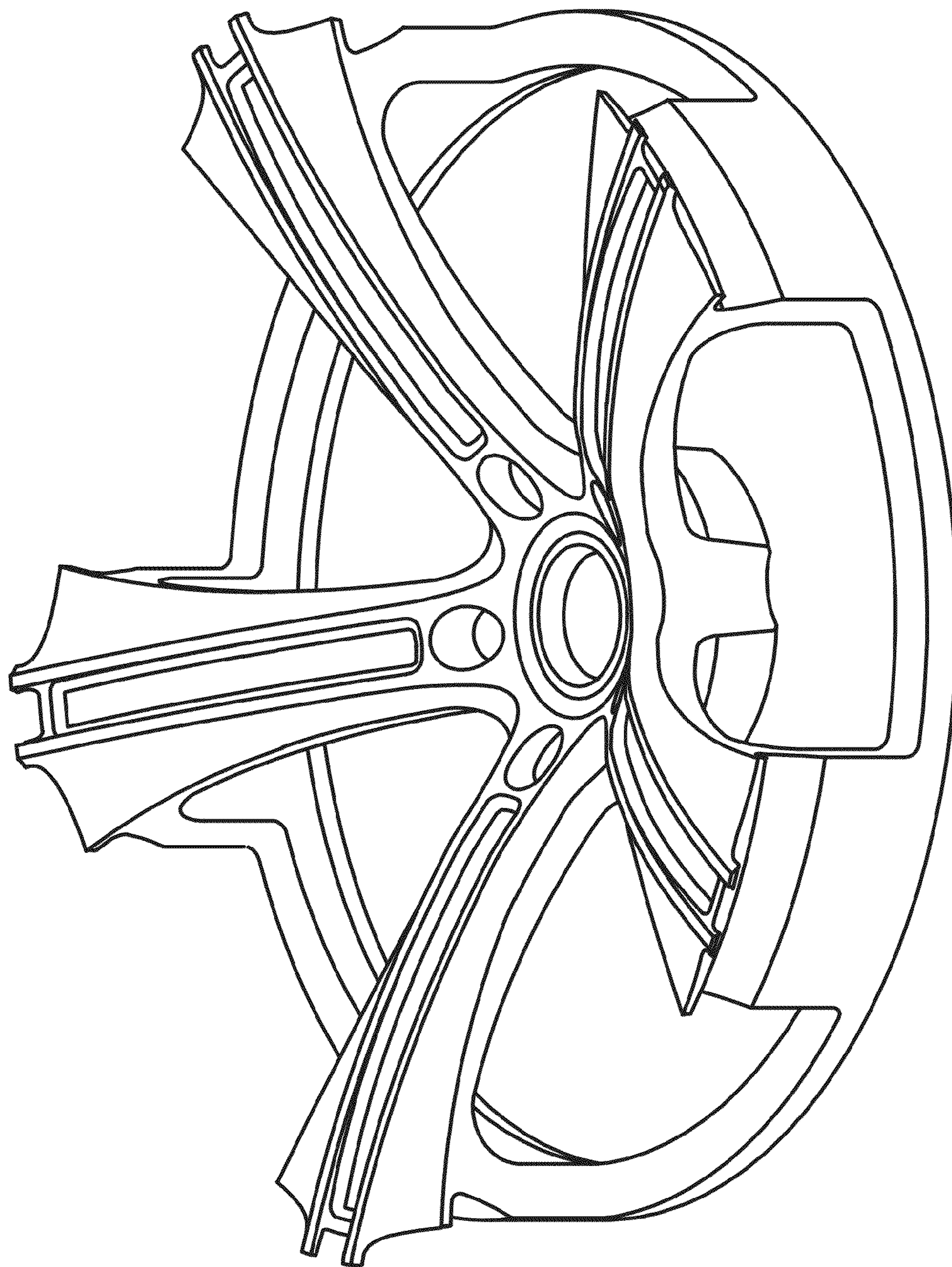


Fig. 2