



US00D726084S

(12) **United States Design Patent**  
**Chu et al.**

(10) **Patent No.:** **US D726,084 S**

(45) **Date of Patent:** **\*\* Apr. 7, 2015**

(54) **WHEEL COVER**

(71) Applicant: **Daimler AG**, Stuttgart (DE)

(72) Inventors: **Edgar Chu**, Stuttgart (DE); **Bernhard Hans**, Kirchberg (DE)

(73) Assignee: **Daimler AG**, Stuttgart (DE)

(\*\*) Term: **14 Years**

(21) Appl. No.: **29/491,701**

(22) Filed: **May 23, 2014**

(30) **Foreign Application Priority Data**

Nov. 25, 2013 (EM) ..... 002351247-0012

(51) **LOC (10) Cl.** ..... **12-16**

(52) **U.S. Cl.**  
USPC ..... **D12/204**

(58) **Field of Classification Search**  
CPC ..... B60B 7/00; B60B 7/02; B60B 7/04;  
B60B 7/01; B60B 7/06; B60B 3/02; B60B  
3/04; B60B 3/06; B60B 3/10; B60B 1/00;  
B60B 1/08; B60B 1/10; B60B 1/12  
USPC ..... D12/204-213  
See application file for complete search history.

(56) **References Cited**

U.S. PATENT DOCUMENTS

D96,824 S *	9/1935	Eksergian .....	D12/209
D113,659 S *	3/1939	Eksergian et al. ....	D12/209
D175,925 S *	11/1955	Bannister .....	D12/204
D186,592 S *	11/1959	Barnes .....	D12/204
D201,676 S *	7/1965	Holls .....	D12/209
D492,923 S *	7/2004	Whitehead .....	D12/204
D526,260 S *	8/2006	Whitehead .....	D12/204
D527,324 S *	8/2006	Whitehead .....	D12/204
D539,203 S *	3/2007	Danbom et al. ....	D12/204
D542,723 S *	5/2007	Bruntz et al. ....	D12/204
D590,316 S *	4/2009	Hsiao .....	D12/209

\* cited by examiner

*Primary Examiner* — Stacia Cadmus

(74) *Attorney, Agent, or Firm* — Crowell & Moring LLP

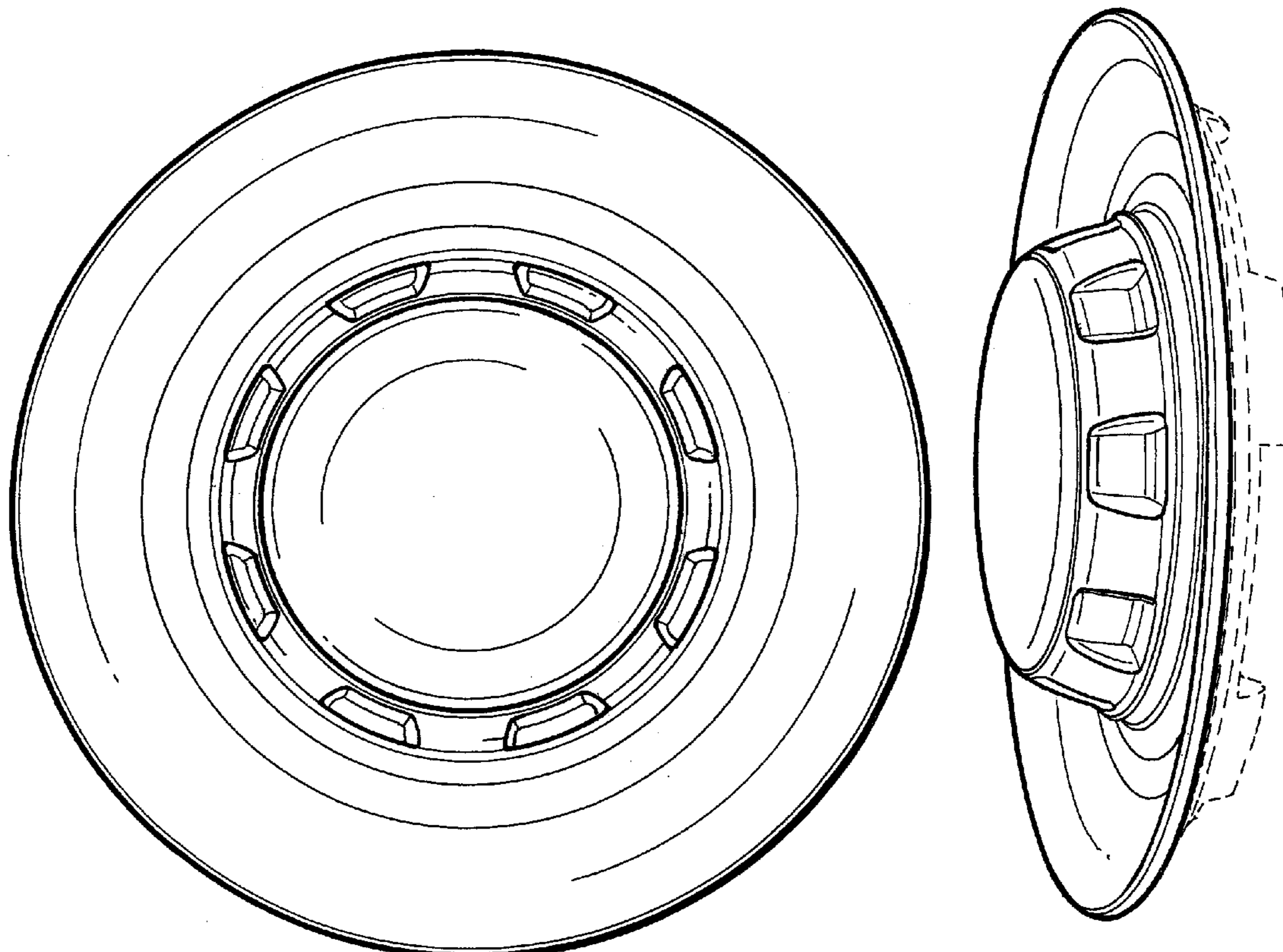
(57) **CLAIM**

The ornamental design for a wheel cover, as shown and described.

**DESCRIPTION**

FIG. 1 is a front view of a wheel cover according to the design; FIG. 2 is a perspective view thereof; and, FIG. 3 is a side view thereof. The broken lines are for illustrative purposes only and form no part of the claimed design.

**1 Claim, 2 Drawing Sheets**



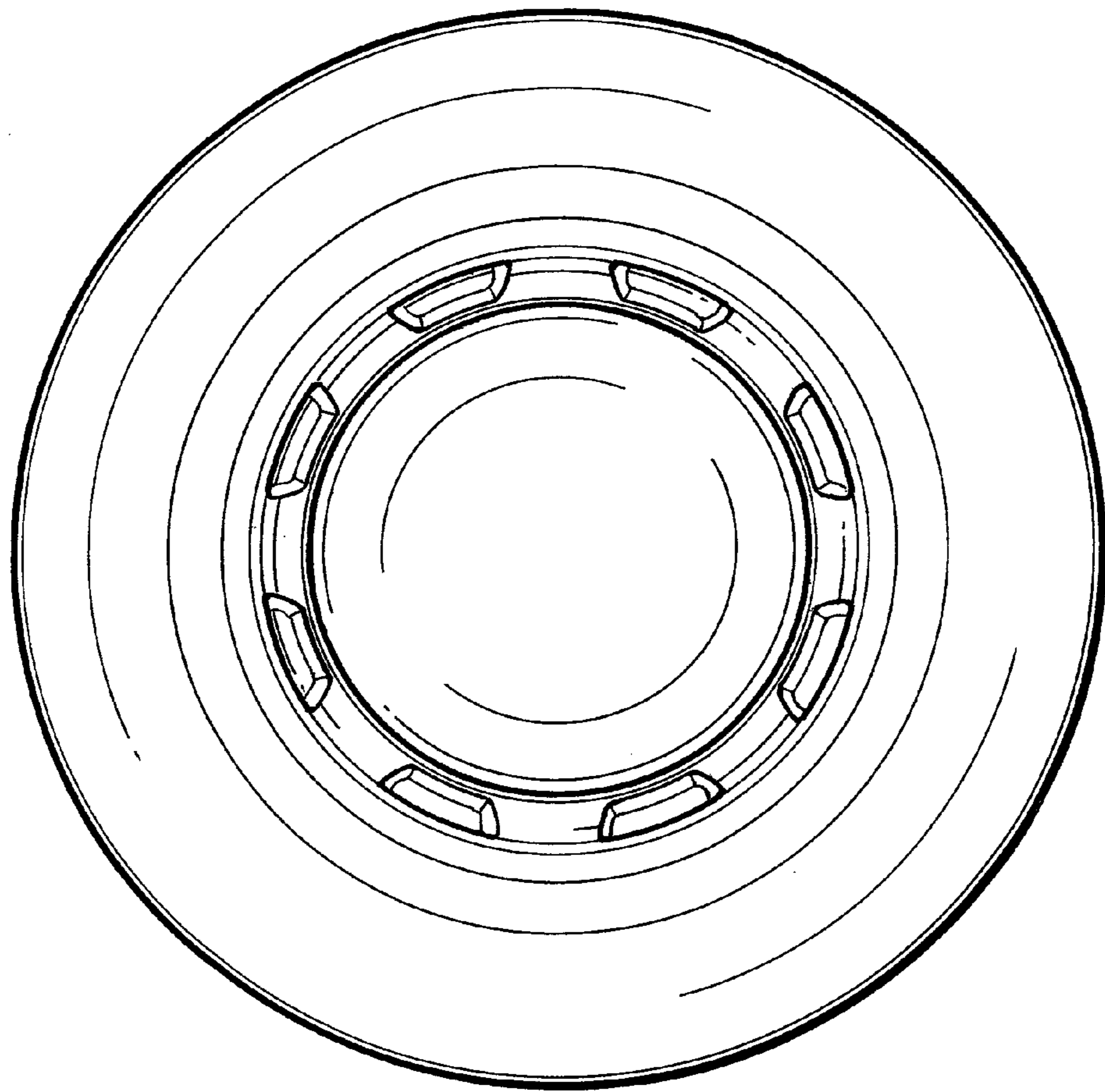


FIG. 1

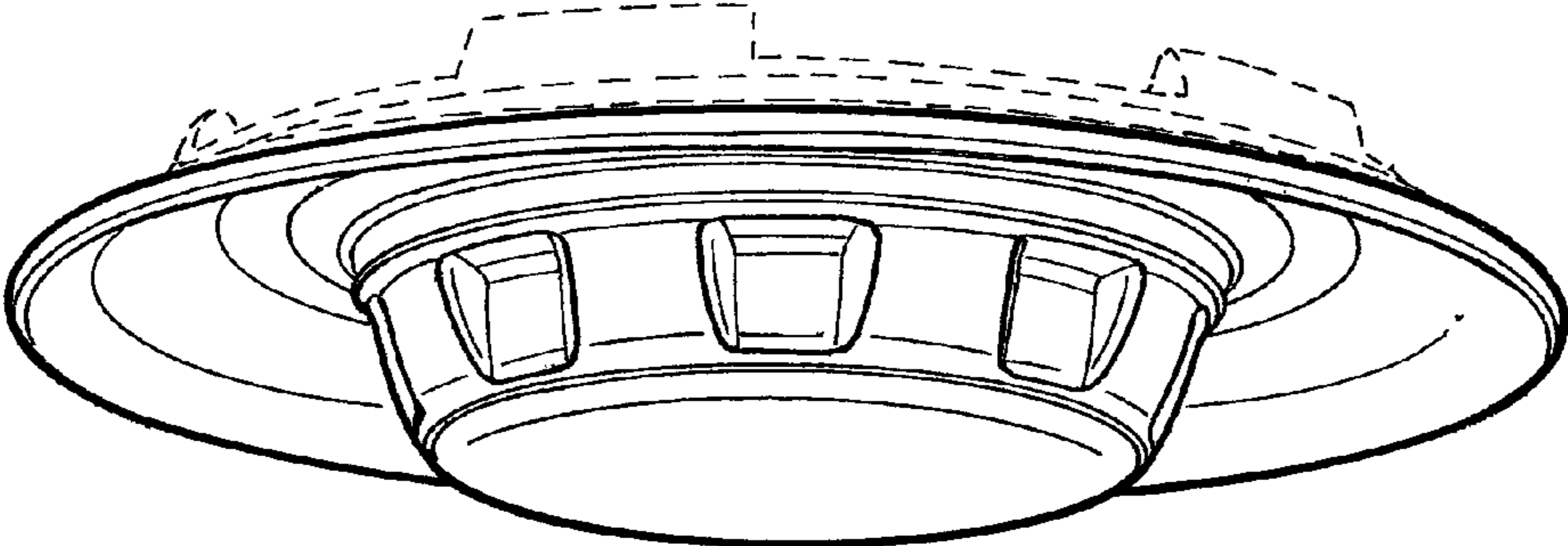


FIG. 3

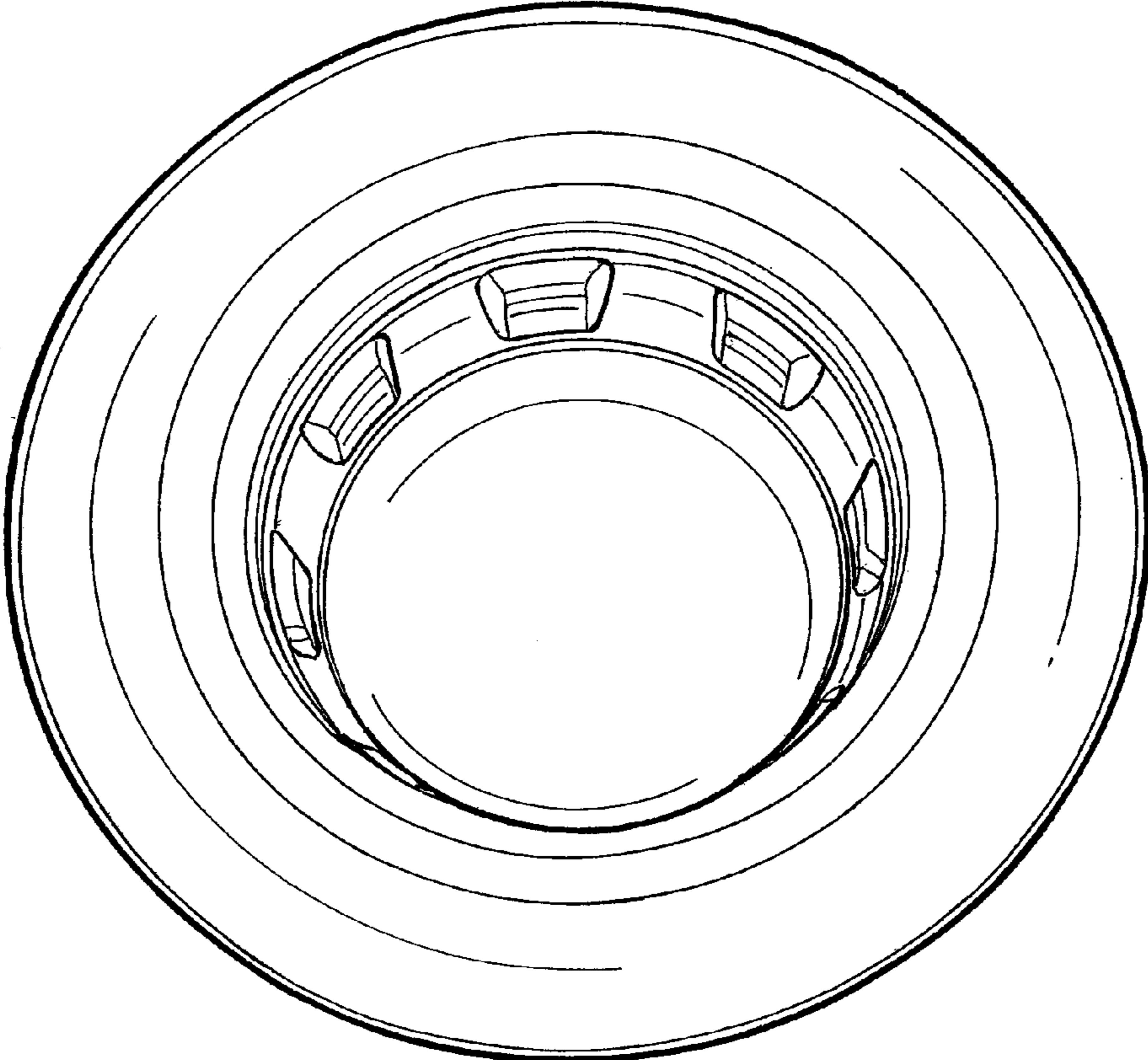


FIG. 2