



US00D726083S

(12) **United States Design Patent**
Wheel et al.

(10) **Patent No.:** **US D726,083 S**

(45) **Date of Patent:** **** Apr. 7, 2015**

(54) **VEHICLE COMPONENT**

(71) Applicant: **Jaguar Land Rover Limited**, Coventry (GB)

(72) Inventors: **Andrew Wheel**, Coventry (GB); **Jeremy Waterman**, Coventry (GB)

(73) Assignee: **Jaguar Land Rover Limited** (GB)

(**) Term: **14 Years**

(21) Appl. No.: **29/466,421**

(22) Filed: **Sep. 6, 2013**

(30) **Foreign Application Priority Data**

Mar. 8, 2013 (EM) 002199307

(51) **LOC (10) Cl.** **12-16**

(52) **U.S. Cl.**
USPC **D12/196**

(58) **Field of Classification Search**
CPC B62D 35/00; B62D 35/005; B62D 21/152;
B60R 19/18; B60R 19/52; B60R 2019/1813;
B60R 19/48; B60K 11/085; B60K 11/06;
B60K 11/04; B60K 11/08
USPC D12/169, 196, 171, 163, 216, 90-92,
D12/86; 296/180.1, 180.2; 293/102, 113,
293/115, 117, 120; 180/68.1, 68.6
See application file for complete search history.

(56) **References Cited**

U.S. PATENT DOCUMENTS

D374,415 S *	10/1996	Thomson	D12/91
D396,203 S *	7/1998	Uematsu et al.	D12/91
D418,464 S *	1/2000	Saleen et al.	D12/169
D422,533 S *	4/2000	Uematsu et al.	D12/91
D535,230 S *	1/2007	Grant et al.	D12/169
D563,839 S *	3/2008	Tada et al.	D12/164
D572,636 S *	7/2008	Hayashi et al.	D12/164

D592,573 S *	5/2009	Asakura et al.	D12/169
D622,644 S *	8/2010	Koyama et al.	D12/164
D629,729 S *	12/2010	Akasawa et al.	D12/169
D643,787 S *	8/2011	Burki et al.	D12/164
D684,093 S *	6/2013	Woolley et al.	D12/91
D685,301 S *	7/2013	Watanabe	D12/169
D695,167 S *	12/2013	Platto et al.	D12/169
2004/0104557 A1 *	6/2004	Kaepf et al.	280/495

OTHER PUBLICATIONS

Range Rover Sport Product Brochure, announced Mar. 26, 2013, [online], [site visited May 29, 2014]. Available from Internet, <URL:http://www.landrover.com/content/us/pdf/l494-pdf>.*

* cited by examiner

Primary Examiner — Eric Goodman

Assistant Examiner — Jennifer Watkins

(74) *Attorney, Agent, or Firm* — Rader, Fishman & Grauer PLLC

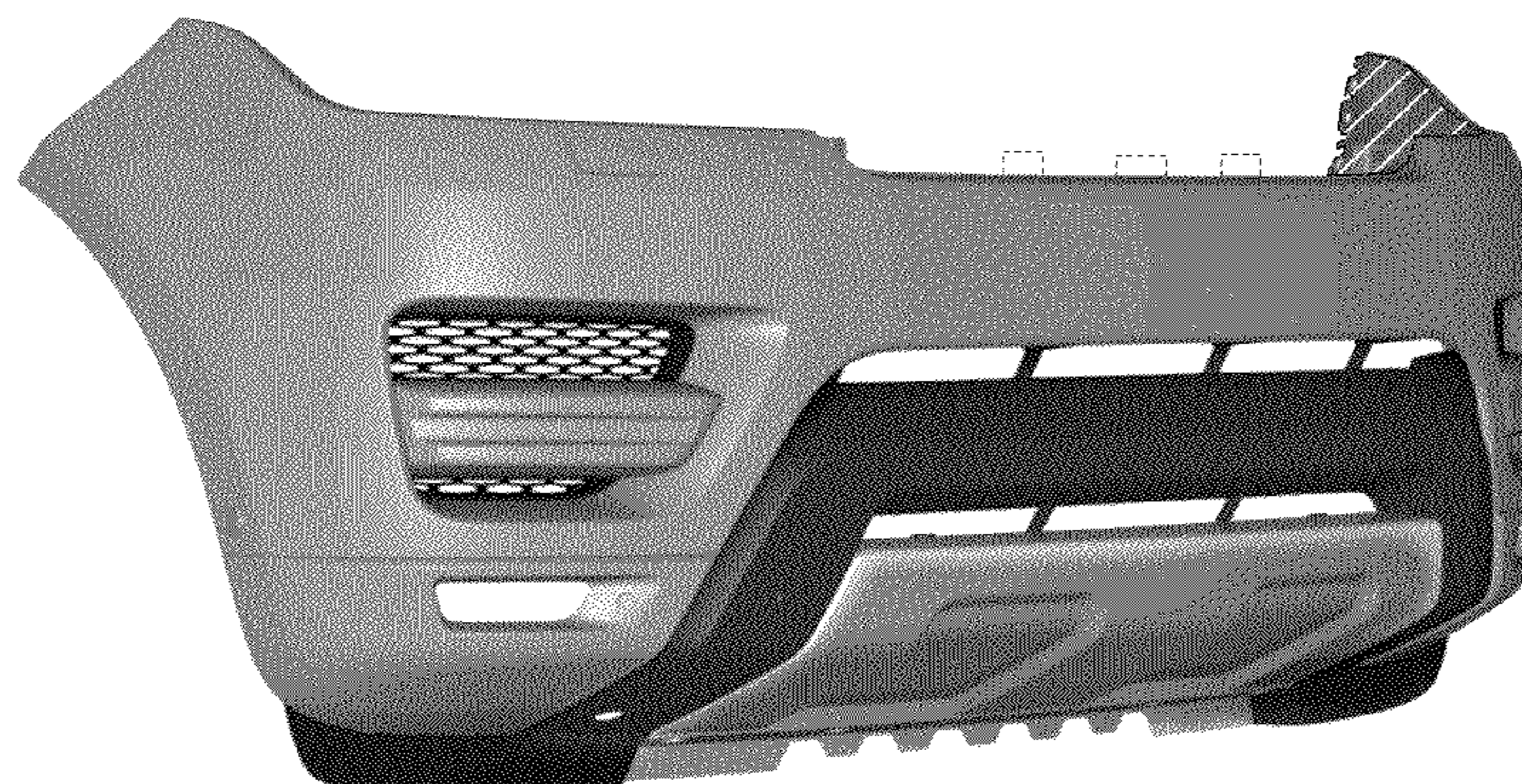
(57) **CLAIM**

The ornamental design for a vehicle component, as shown and described.

DESCRIPTION

FIG. 1 is a front perspective view of a vehicle component; FIG. 2 is a rear perspective view of a vehicle component; FIG. 3 is a left side view of a vehicle component; FIG. 4 is a right side view of a vehicle component; FIG. 5 is a front view of a vehicle component; FIG. 6 is a rear view of a vehicle component; and, FIG. 7 is a top view of a vehicle component. Portions of FIGS. 1-7 that are shown in evenly-dashed broken lines illustrate portions of the vehicle component that form no part of the claimed design. The dash-dot-dot broken lines in the drawings define the bounds of the claim and form no part thereof. The diagonal lines illustrate portions of the vehicle component that forms no part of the claimed design and environment that forms no part thereof.

1 Claim, 5 Drawing Sheets



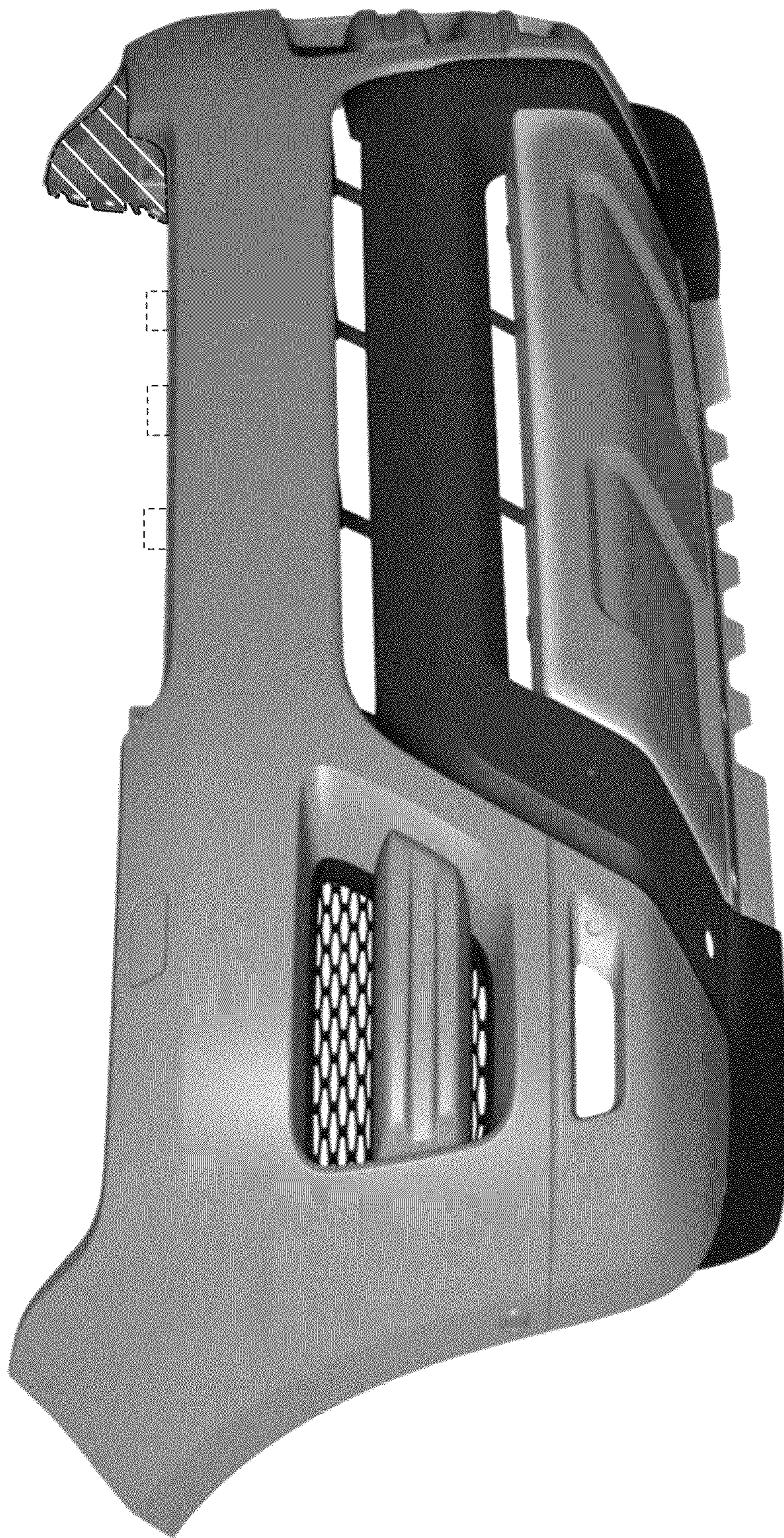


FIG. 1

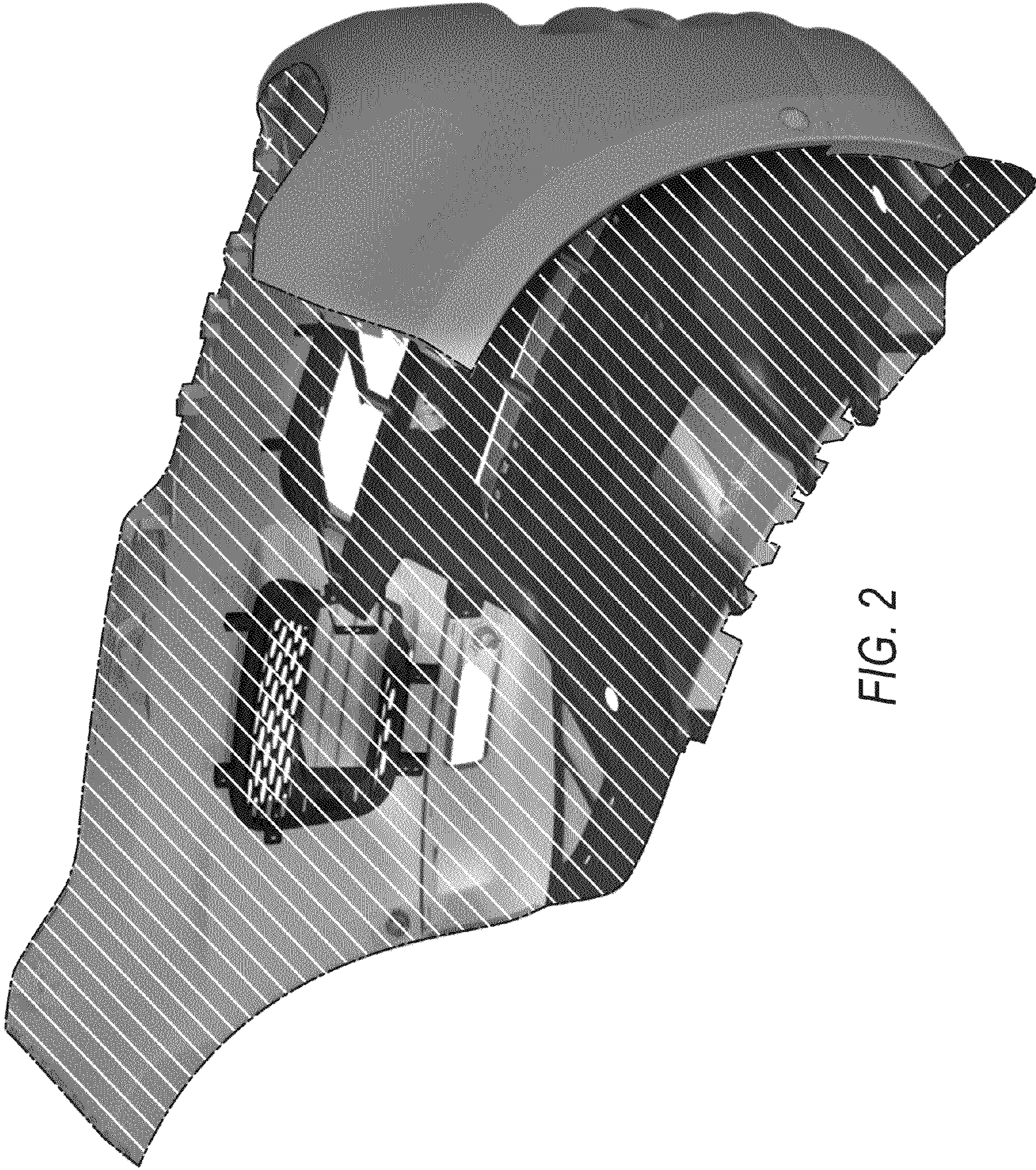


FIG. 2



FIG. 3



FIG. 4

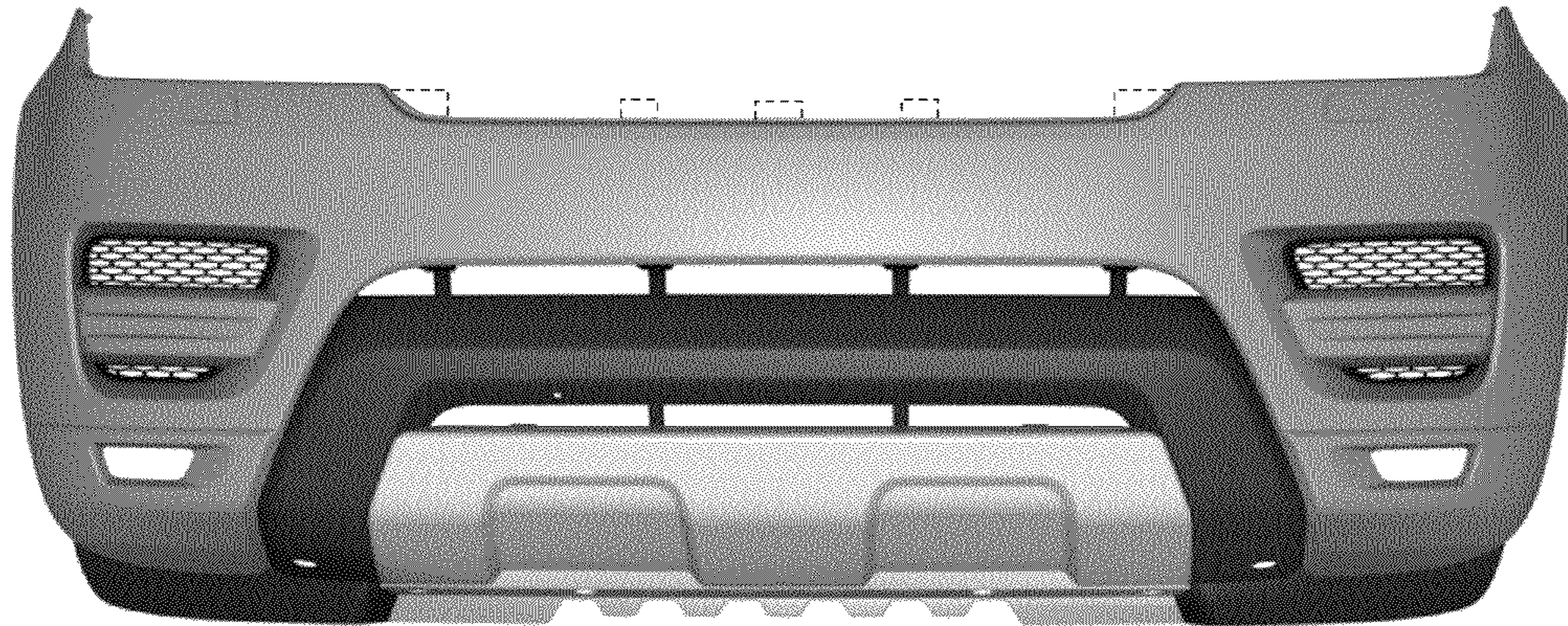


FIG. 5

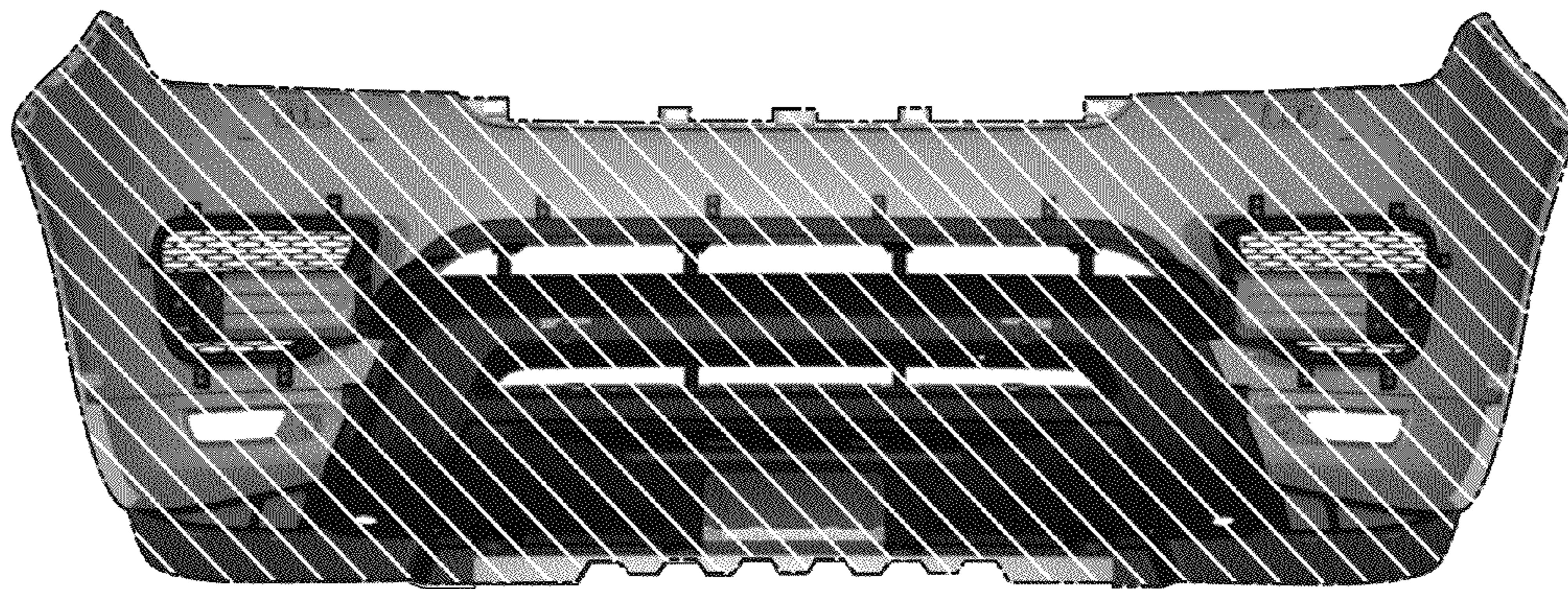


FIG. 6

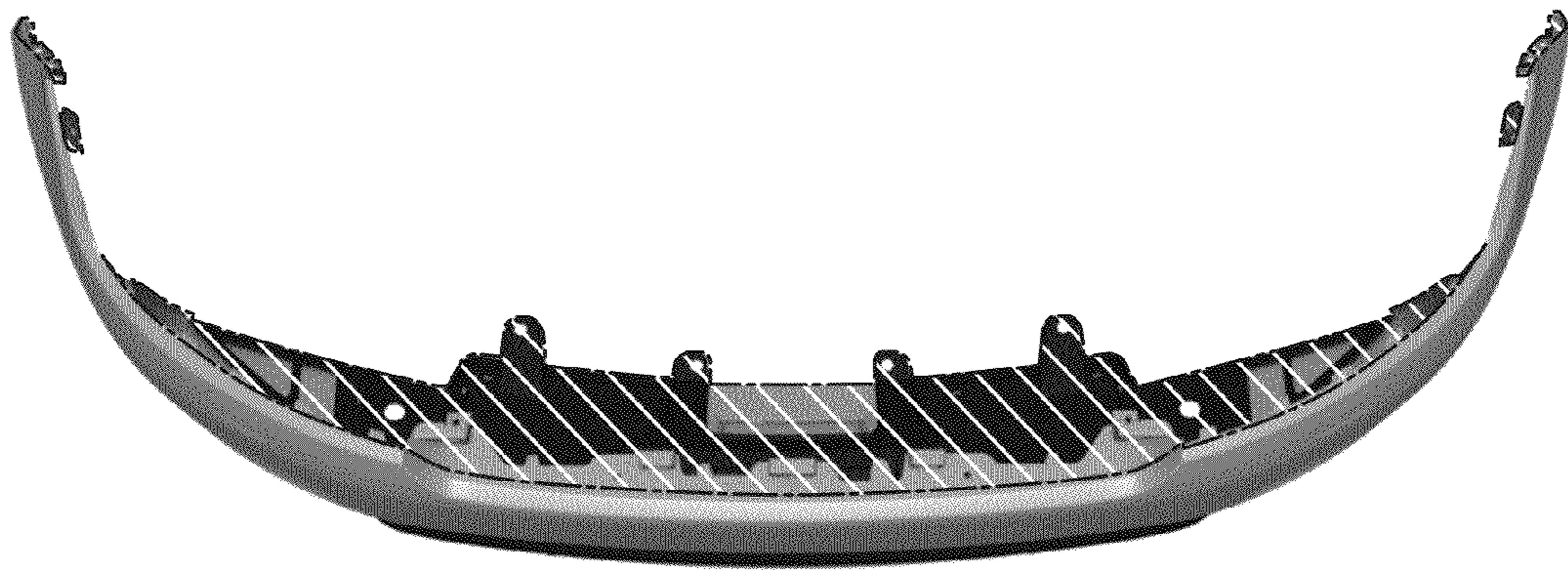


FIG. 7