



US00D726079S

(12) **United States Design Patent**  
**Reichman et al.**

(10) **Patent No.:** **US D726,079 S**  
(45) **Date of Patent:** **\*\* Apr. 7, 2015**

(54) **AUTOMOBILE GRILLE**

5,482,336 A 1/1996 Rouse et al.  
5,503,444 A 4/1996 Rouse et al.  
D395,027 S 6/1998 Wittine  
5,880,394 A 3/1999 Kim

(71) Applicant: **Aston Martin Lagonda Limited**,  
Gaydon (GB)

(Continued)

(72) Inventors: **Marek Reichman**, Gaydon (GB); **Julian Wiltshire**, Gaydon (GB)

FOREIGN PATENT DOCUMENTS

(73) Assignee: **Aston Martin Lagonda Limited**,  
Gaydon (GB)

DE 2727517 12/1978  
DE 4321969 7/1992

(Continued)

(\*\*) Term: **14 Years**

OTHER PUBLICATIONS

(21) Appl. No.: **29/461,468**

2003 Aston Martin DB7 Vantage, [online], [site visited Jan. 3, 2014]. Available from Internet, <URL: <http://www.conceptcarz.com/view/photo/291097,6877/2003-Aston-Martin-DB7-Vantage.aspx>>.\*

(22) Filed: **Jul. 23, 2013**

(Continued)

(30) **Foreign Application Priority Data**

Jan. 23, 2013 (GB) ..... 002171488-0001

(51) **LOC (10) Cl.** ..... **12-16**

(52) **U.S. Cl.**  
USPC ..... **D12/163**

(58) **Field of Classification Search**  
CPC ..... B60K 11/085; B60K 11/04; B60K 11/08;  
B60R 19/18; B60R 19/52; B62D 35/00;  
B62D 35/001; B62D 35/02  
USPC ..... D12/169, 196, 171, 163, 216, 90-92,  
D12/86; 296/180.1, 180.2; 293/102, 113,  
293/115, 117, 120; 180/68.1, 68.6

See application file for complete search history.

(56) **References Cited**

U.S. PATENT DOCUMENTS

4,917,203 A 4/1990 Sacco et al.  
4,944,540 A 7/1990 Mansoor et al.  
D334,977 S \* 4/1993 Avari ..... D23/387  
5,205,597 A 4/1993 Chase  
RE34,907 E \* 4/1995 Gross ..... 180/68.6  
5,403,048 A 4/1995 Ekladyous et al.  
5,478,127 A 12/1995 Chase

*Primary Examiner* — Eric Goodman

*Assistant Examiner* — Jennifer Watkins

(74) *Attorney, Agent, or Firm* — Dorsey & Whitney LLP

(57) **CLAIM**

The ornamental design for an automobile grille, as shown and described.

**DESCRIPTION**

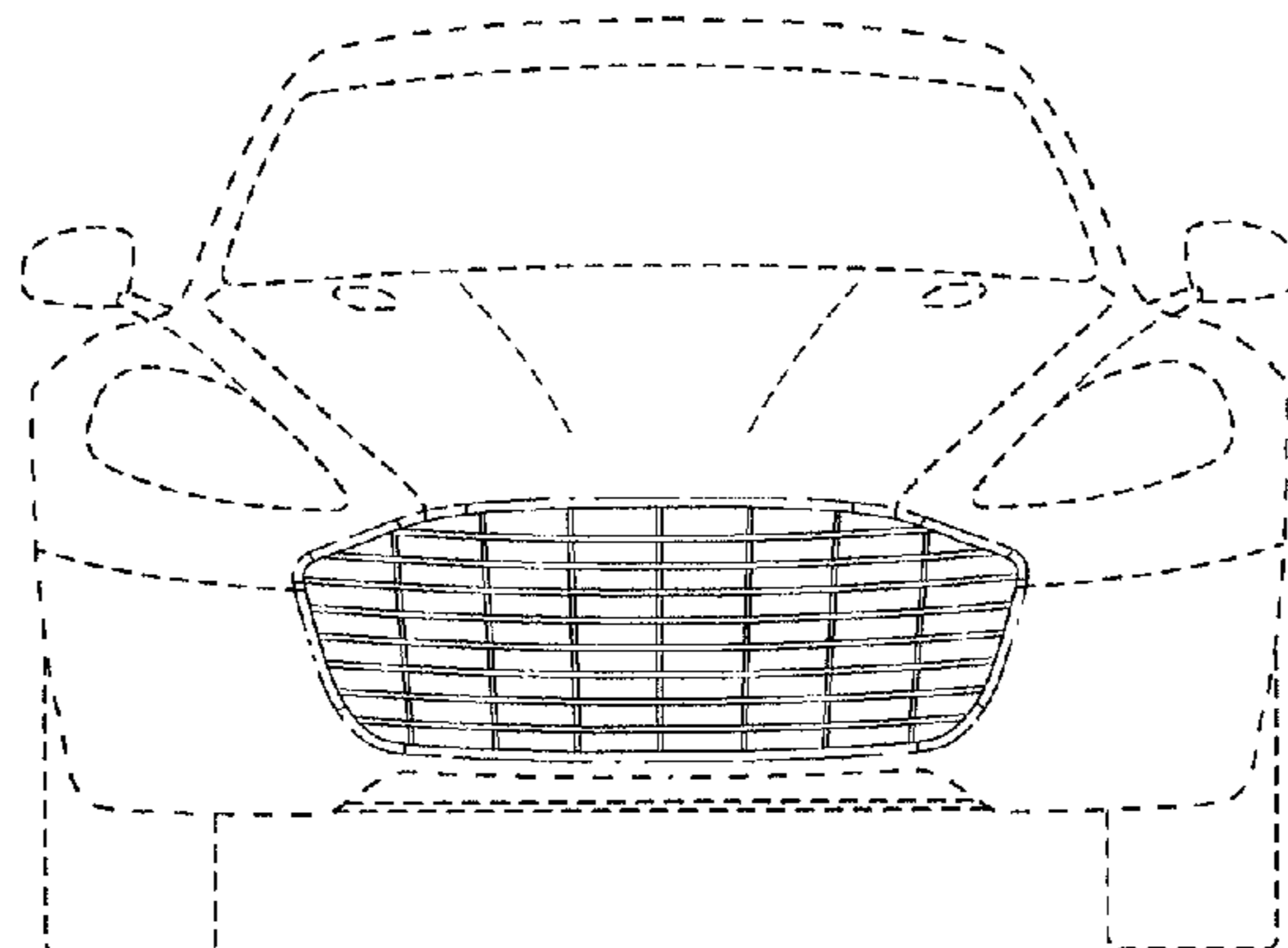
FIG. 1 is a front isometric view of an automobile grille;  
FIG. 2 is a front elevation view of the automobile grille of FIG. 1;

FIG. 3 is a side elevation view of the automobile grille of FIG. 1; and,

FIG. 4 is an enlarged front isometric view of the automobile grille of FIG. 1 taken along the detail line 4-4 shown in FIG. 1.

The broken lines represent the environment and portions of the structure of the automobile grille that form no part of the claimed invention.

**1 Claim, 4 Drawing Sheets**



(56)

References Cited

U.S. PATENT DOCUMENTS

D415,081 S 10/1999 Wittine  
 D431,505 S 10/2000 Kitamura et al.  
 6,206,438 B1 3/2001 Pueyo  
 D447,983 S \* 9/2001 Stoddard et al. .... D12/91  
 D456,313 S 4/2002 Walling et al.  
 6,405,819 B1 6/2002 Ohkura et al.  
 D475,662 S 6/2003 Koizumi et al.  
 6,702,343 B1 3/2004 Stull  
 6,921,117 B2 7/2005 Rackham et al.  
 D510,302 S \* 10/2005 Sugimoto ..... D12/163  
 D553,544 S \* 10/2007 Rothman et al. .... D12/92  
 D557,184 S 12/2007 Janik  
 D557,641 S 12/2007 Davidson  
 D573,510 S \* 7/2008 Pininfarina ..... D12/92  
 D584,198 S 1/2009 Tamura  
 D584,998 S \* 1/2009 Lamm et al. .... D12/92  
 D585,340 S 1/2009 Sinkwitz  
 D589,405 S \* 3/2009 Corradi ..... D12/92  
 D589,853 S 4/2009 Saridakis et al.  
 D592,564 S 5/2009 Kusamoto et al.  
 D603,755 S 11/2009 Peters  
 D620,396 S \* 7/2010 Reichman et al. .... D12/92  
 D626,465 S 11/2010 Thomas et al.  
 D628,942 S \* 12/2010 Kim ..... D12/92  
 D629,718 S \* 12/2010 Reichman et al. .... D12/92  
 D629,719 S 12/2010 Reichman et al.  
 D629,725 S 12/2010 Reichman et al.  
 D630,140 S 1/2011 Reichman et al.  
 D635,065 S 3/2011 Seo  
 D651,142 S 12/2011 Fushimi  
 D664,475 S 7/2012 Takahashi  
 D665,313 S 8/2012 Asakura  
 D668,590 S 10/2012 Furst et al.  
 D670,203 S 11/2012 Weil  
 D670,620 S 11/2012 Frei et al.  
 D671,457 S 11/2012 Goto et al.  
 D687,348 S 8/2013 Nurnberger  
 D691,517 S \* 10/2013 Kwon et al. .... D12/92  
 D692,348 S 10/2013 Whelan  
 D692,350 S 10/2013 Toriyama et al.  
 D696,978 S 1/2014 Perini  
 D701,147 S 3/2014 Saracoglu  
 D704,101 S 5/2014 Beaven  
 D704,102 S \* 5/2014 Nurnberger ..... D12/92  
 D704,601 S \* 5/2014 Nurnberger ..... D12/163  
 2005/0248184 A1 11/2005 Piffaretti

FOREIGN PATENT DOCUMENTS

EM 000212923-0001 10/2004  
 EM 000212923-0002 10/2004  
 EM 001067839-0001 1/2009  
 EM 001650052-0001 12/2009  
 EM 001674631-0001 2/2010  
 EM 001674631-0002 2/2010  
 EM 001674631-0003 2/2010  
 EM 001674631-0005 2/2010  
 EM 001999848-0001 2/2012  
 EM 001999848-0003 2/2012  
 EM 002033621-0001 4/2012  
 EM 002033621-0003 4/2012  
 EM 002033621-0005 4/2012  
 EM 002033621-0006 4/2012  
 EM 002047977-0002 5/2012

EM 002171488-0001 1/2013  
 EP 0896892 2/1999  
 EP 0906863 4/1999  
 EP 2476603 7/2012  
 GB 2327912 10/1999  
 GB 3013456 7/2003  
 GB 2396881 7/2004  
 GB 3024223 4/2006  
 JP D1400694 10/2010  
 JP D1444677 5/2012  
 WO WO 02/12028 2/2002

OTHER PUBLICATIONS

2014 Aston Martin Rapide S, announced Dec. 30, 2013, [online], [site visited Jan. 3, 2014]. Available from Internet, <URL: <http://www.astonmartin.com/en-us/cars/rapide-s>>.\*  
 2011 Aston Martin Rapide, [online article Feb. 4, 2010], [site visited Jan. 3, 2014]. Available from Internet, <URL: [http://www.roadandtrack.com/car-reviews/first-drives/photos-2011-aston-martin-rapide?click=main\\_sr#slide-1](http://www.roadandtrack.com/car-reviews/first-drives/photos-2011-aston-martin-rapide?click=main_sr#slide-1)>.\*  
 Aston Martin 2013, "Aston Martin Centenary Celebration Programme," 2013; 204 pages.  
 Aston Martin IDBS Brochure; Website[online]: <http://www.auto-brochures.com>, Jan. 27, 2012 [retrieved on Oct. 22, 2013]. Retrieved from the internet: <URL: [http://www.auto-brochures.com/makes/Aston\\_Martin/dbs/Aston%20Martin\\_int%20DBS\\_1.pdf](http://www.auto-brochures.com/makes/Aston_Martin/dbs/Aston%20Martin_int%20DBS_1.pdf)>; 62 pages.  
 Aston Martin DB9 Brochure; Website[online]: <http://www.auto-brochures.com>, Jan. 27, 2012 [retrieved on Oct. 22, 2013]. Retrieved from the internet: <URL: [http://www.auto-brochures.com/makes/Aston\\_Martin/db9/Aston%20Martin\\_int%20DB9\\_1.pdf](http://www.auto-brochures.com/makes/Aston_Martin/db9/Aston%20Martin_int%20DB9_1.pdf)>; 41 pages.  
 2008 Aston Martin DB9 Grill & Front View Photo. Website[online]: <http://www.motortrend.com>, Jun. 12, 2008 [retrieved on Oct. 22, 2013]. Retrieved from the internet: <URL: [http://www.motortrend.com/cars/2008/aston\\_martin/db9/photos/exterior/grill\\_front\\_view.html](http://www.motortrend.com/cars/2008/aston_martin/db9/photos/exterior/grill_front_view.html)>; 1 page.  
 European Patent Office; PCT International Search Report mailed Nov. 21, 2001; PCT/GB01/03563; 3 pages.  
 European Patent Office; PCT International Preliminary Examination Report mailed Dec. 5, 2002; PCT/GB01/03563; 11 pages.  
 European Patent Office; PCT Written Opinion mailed Mar. 6, 2002; PCT/GB01/03563; 5 pages.  
 European Patent Office; PCT Written Opinion mailed Aug. 21, 2002; PCT/GB01/03563; 5 pages.  
 1976 and 1987 Aston Martin Lagonda, [online], [site visited Jul. 24, 2014], Available from Internet, <URL: <http://www.astonmartin.com/heritage/past-models/lagonda>>, 2 pages.  
 Vijayenthiran, Viknesh. "Aston Martin Builds And Sells Two CC100 Speedsters: Report." Motor Authority., Jul. 26, 2013 [online], [retrieved on Sep. 5, 2014]. Retrieved from the Internet <URL: [http://www.motorauthority.com/news/1085797\\_aston\\_martin-builds-and-sells-two-cc100-speedsters-report](http://www.motorauthority.com/news/1085797_aston_martin-builds-and-sells-two-cc100-speedsters-report)>.  
 Carrion, Annette. "2014 Aston Martin Vanquish Volante Neiman Marcus . . ." European Car Web., Jun. 22, 2010 [online], [retrieved on Sep. 5, 2014]. Retrieved from the Internet <URL: [http://www.europeancarweb.com/news/1311\\_2014\\_aston\\_martin\\_vanquish\\_volante\\_neiman\\_marcus\\_edition/photo\\_06.html](http://www.europeancarweb.com/news/1311_2014_aston_martin_vanquish_volante_neiman_marcus_edition/photo_06.html)>.  
 "2011 Aston Martin One-77". Electronic Brochure., Jun. 22, 2010 [online], [retrieved on Sep. 5, 2014]. Retrieved from the Internet <URL: [http://www.auto-brochures.com/makes/Aston\\_Martin/one-77/Aston%20Martin\\_int%20one-77.pdf](http://www.auto-brochures.com/makes/Aston_Martin/one-77/Aston%20Martin_int%20one-77.pdf)>.

\* cited by examiner

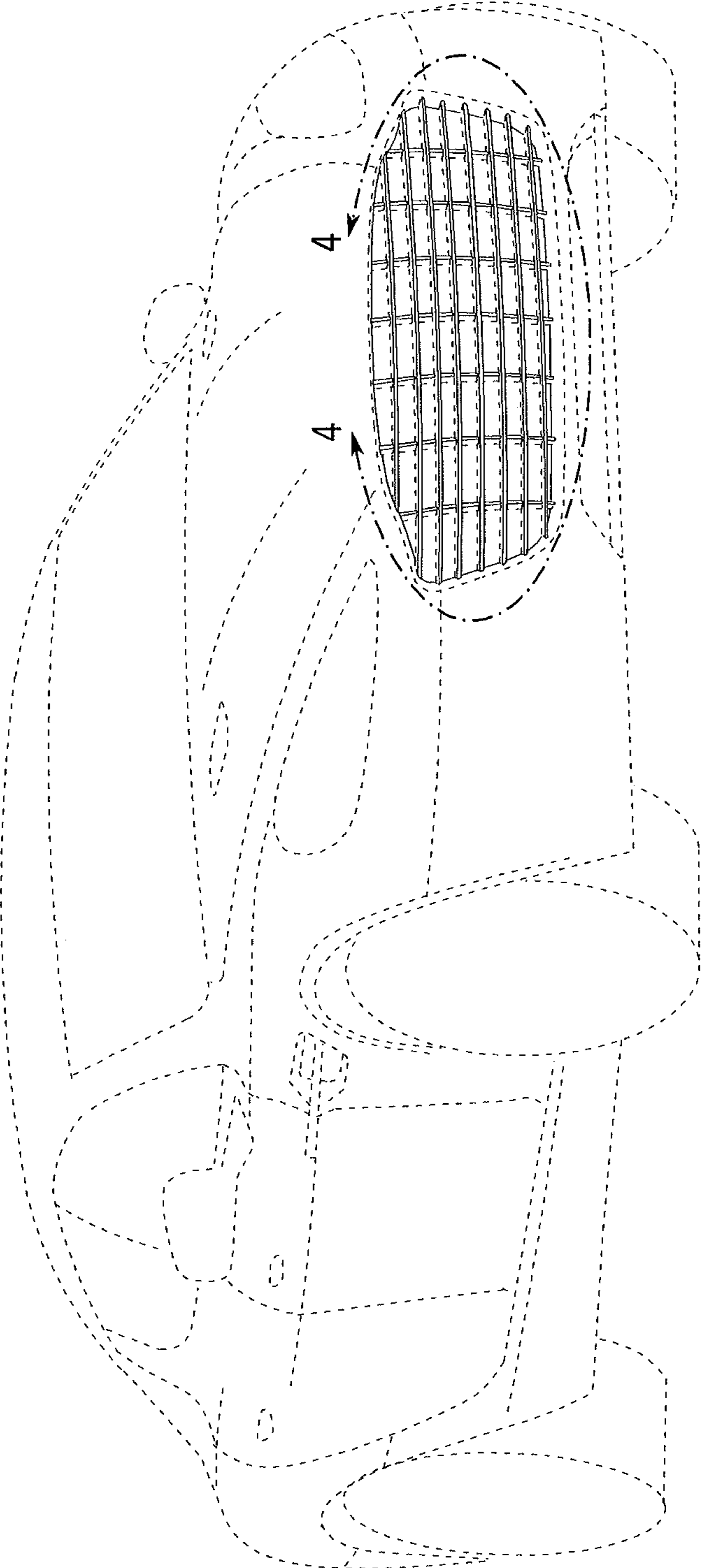
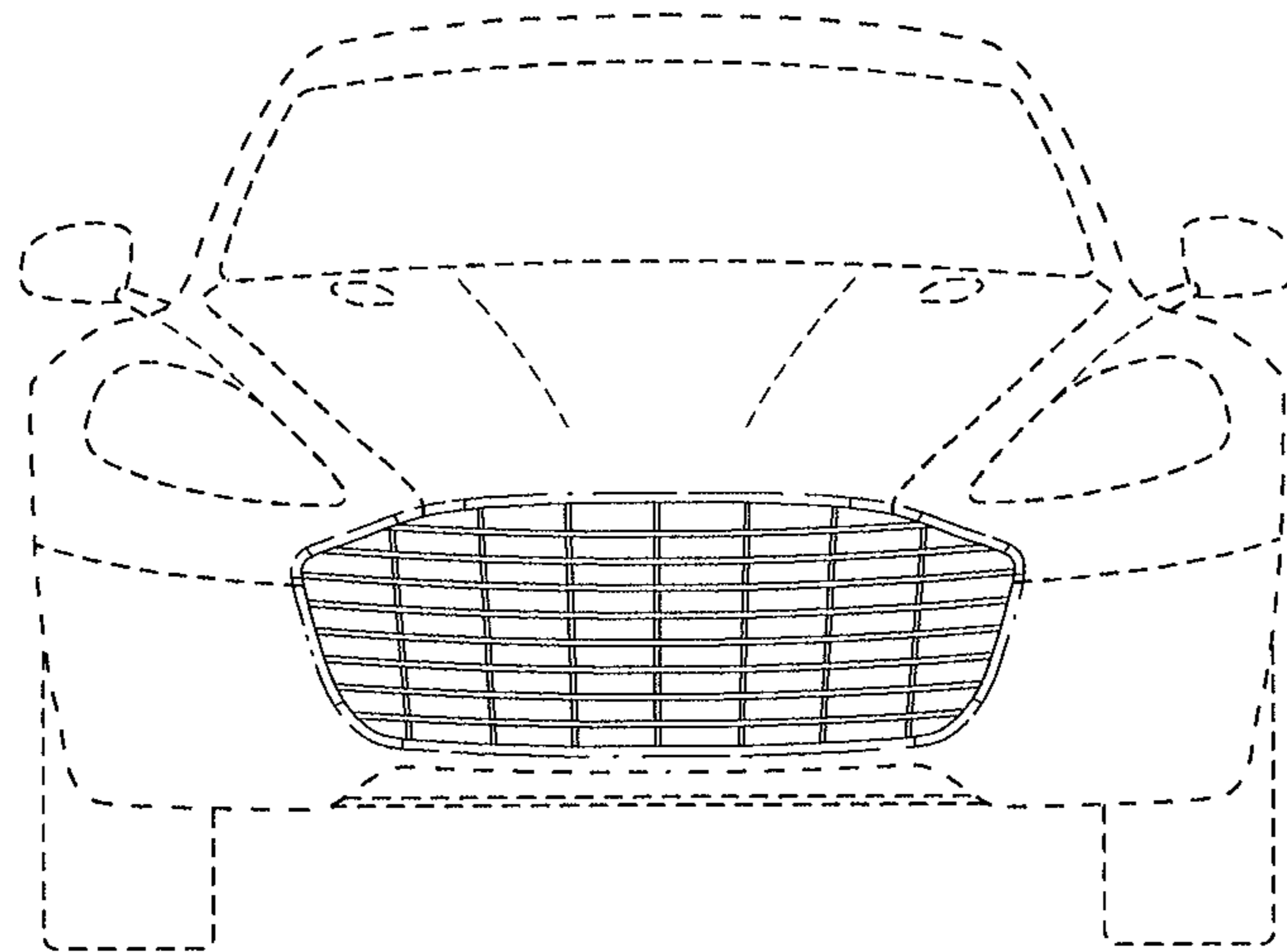


FIG. 1



*FIG. 2*

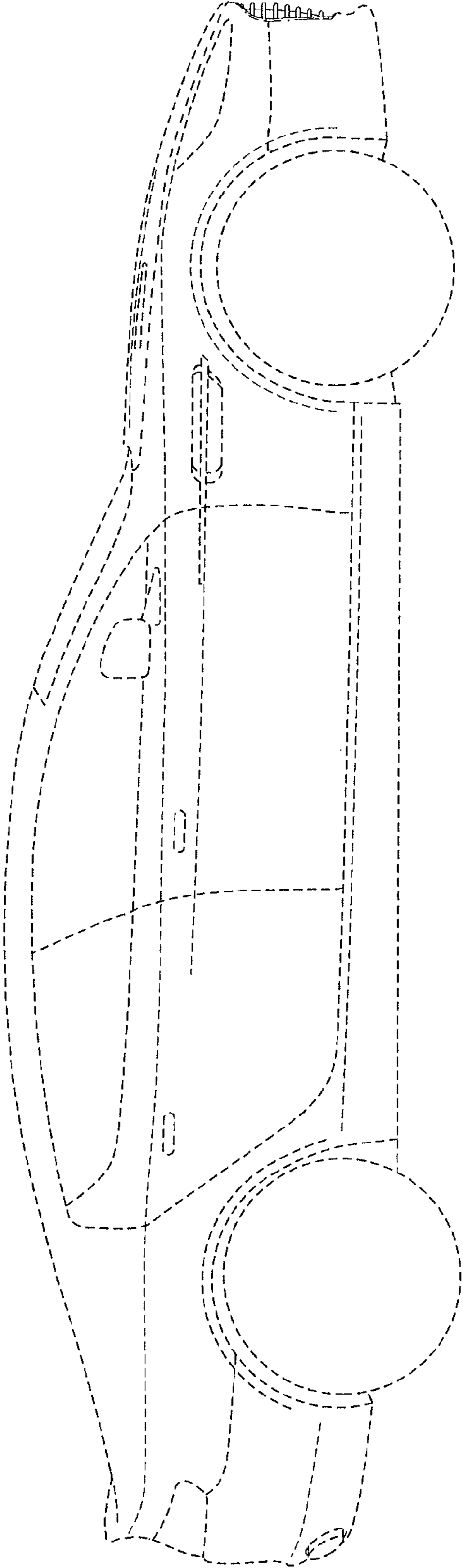


FIG. 3

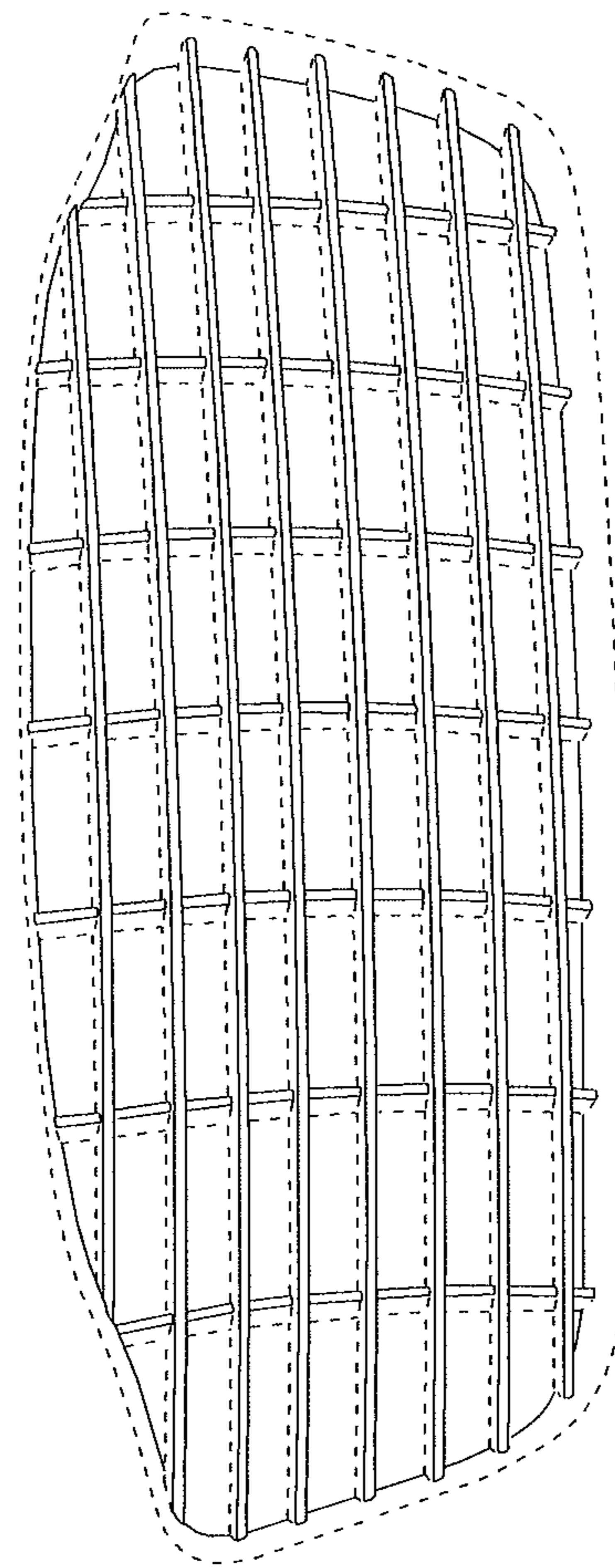


FIG. 4