



US00D726077S

(12) **United States Design Patent**
Akesson et al.

(10) **Patent No.:** **US D726,077 S**
(45) **Date of Patent:** **** Apr. 7, 2015**

(54) **SHOWER STRETCHER**

(71) Applicant: **Arjo Hospital Equipment AB**, Eslov (SE)

(72) Inventors: **Bodil Akesson**, Malmo (SE); **Kajsa Haraldsson**, Malmo (SE); **Andreas Thomasson**, Sjobo (SE); **Richard Nilsson**, Lund (SE)

(73) Assignee: **Arjo Hospital Equipment AB**, Eslov (SE)

(**) Term: **14 Years**

(21) Appl. No.: **29/447,566**

(22) Filed: **Mar. 5, 2013**

(30) **Foreign Application Priority Data**

Oct. 10, 2012 (EM) 002116814

(51) **LOC (10) Cl.** **12-12**

(52) **U.S. Cl.**
USPC **D12/128**

(58) **Field of Classification Search**
USPC D12/128-133; 280/18.1, 19, 47.131;
128/99.1; 5/625-627
See application file for complete search history.

(56) **References Cited**

U.S. PATENT DOCUMENTS

5,095,568 A * 3/1992 Thomas et al. 5/713
5,179,744 A * 1/1993 Foster et al. 5/600
5,588,167 A 12/1996 Pahno et al.
D454,319 S * 3/2002 Ito D12/131
D456,751 S * 5/2002 Williams D12/132

6,499,163 B1 * 12/2002 Stensby 5/618
D498,712 S * 11/2004 Jamison et al. D12/128
7,189,214 B1 * 3/2007 Saunders 602/32
D606,910 S * 12/2009 Malassigne et al. D12/132

FOREIGN PATENT DOCUMENTS

DE 298 02 043 6/1998
FR 2 788 967 8/2000
WO WO 88/03790 6/1988
WO WO 98/13004 4/1998
WO WO 00/21479 4/2000

OTHER PUBLICATIONS

International Search Report for PCT/EP2010/063601, dated Dec. 22, 2010 (3 pages).

* cited by examiner

Primary Examiner — Ian Simmons

Assistant Examiner — Charles Hanson

(74) *Attorney, Agent, or Firm* — Brinks Gilson & Lione

(57) **CLAIM**

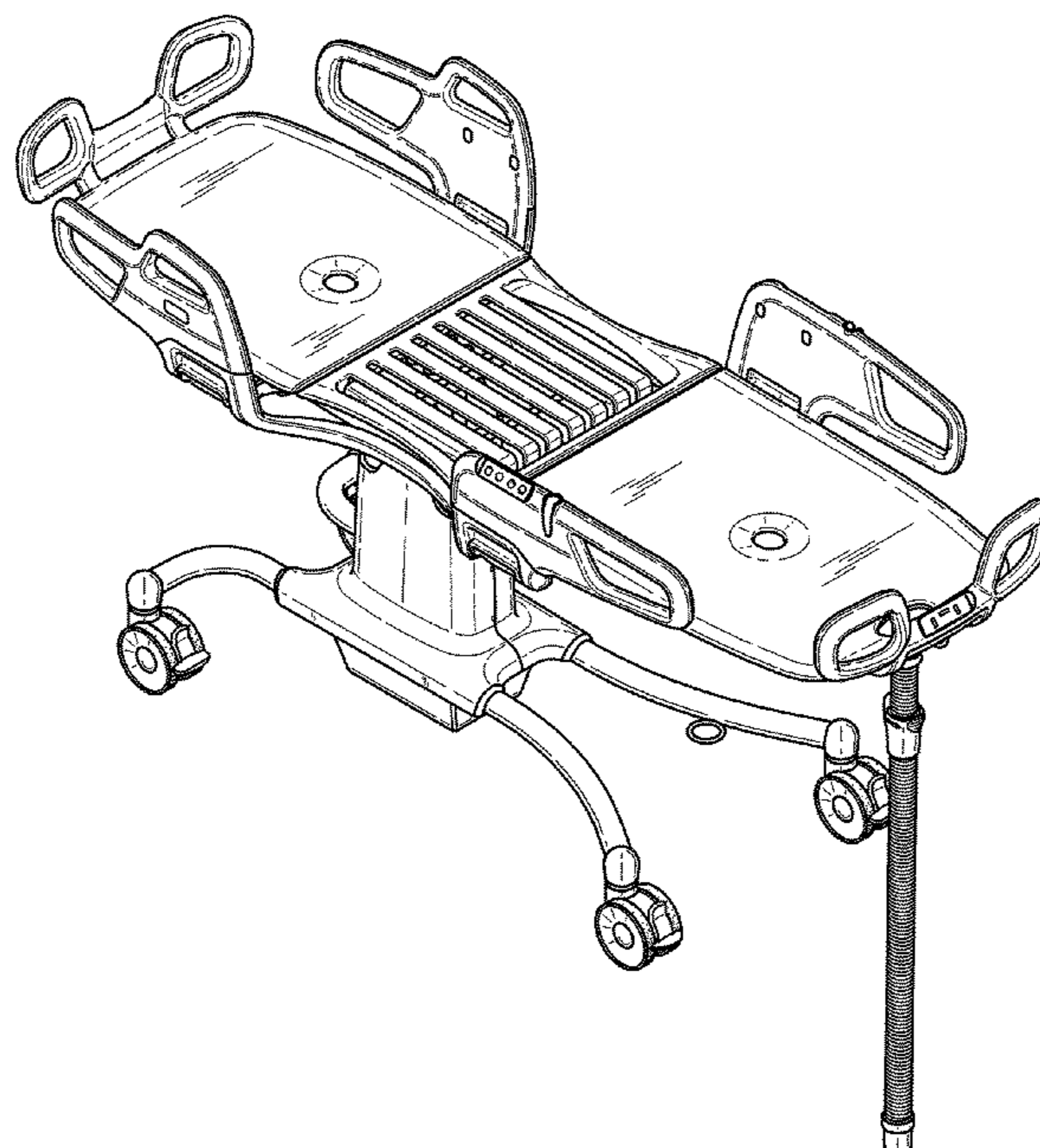
We claim the ornamental design for a shower stretcher, as shown and described.

DESCRIPTION

FIG. 1 is a top perspective view of a shower stretcher;
FIG. 2 is a first end elevation view of a shower stretcher;
FIG. 3 is a second end elevation view of a shower stretcher;
FIG. 4 is a first side elevation view of a shower stretcher;
FIG. 5 is a second side elevation view of a shower stretcher;
FIG. 6 is a top plan view of a shower stretcher; and,
FIG. 7 is a bottom plan view of a shower stretcher.

The ornamental design which is claimed is shown in solid lines in the drawings. Any broken or phantom lines in the drawings form no part of the claimed design.

1 Claim, 7 Drawing Sheets



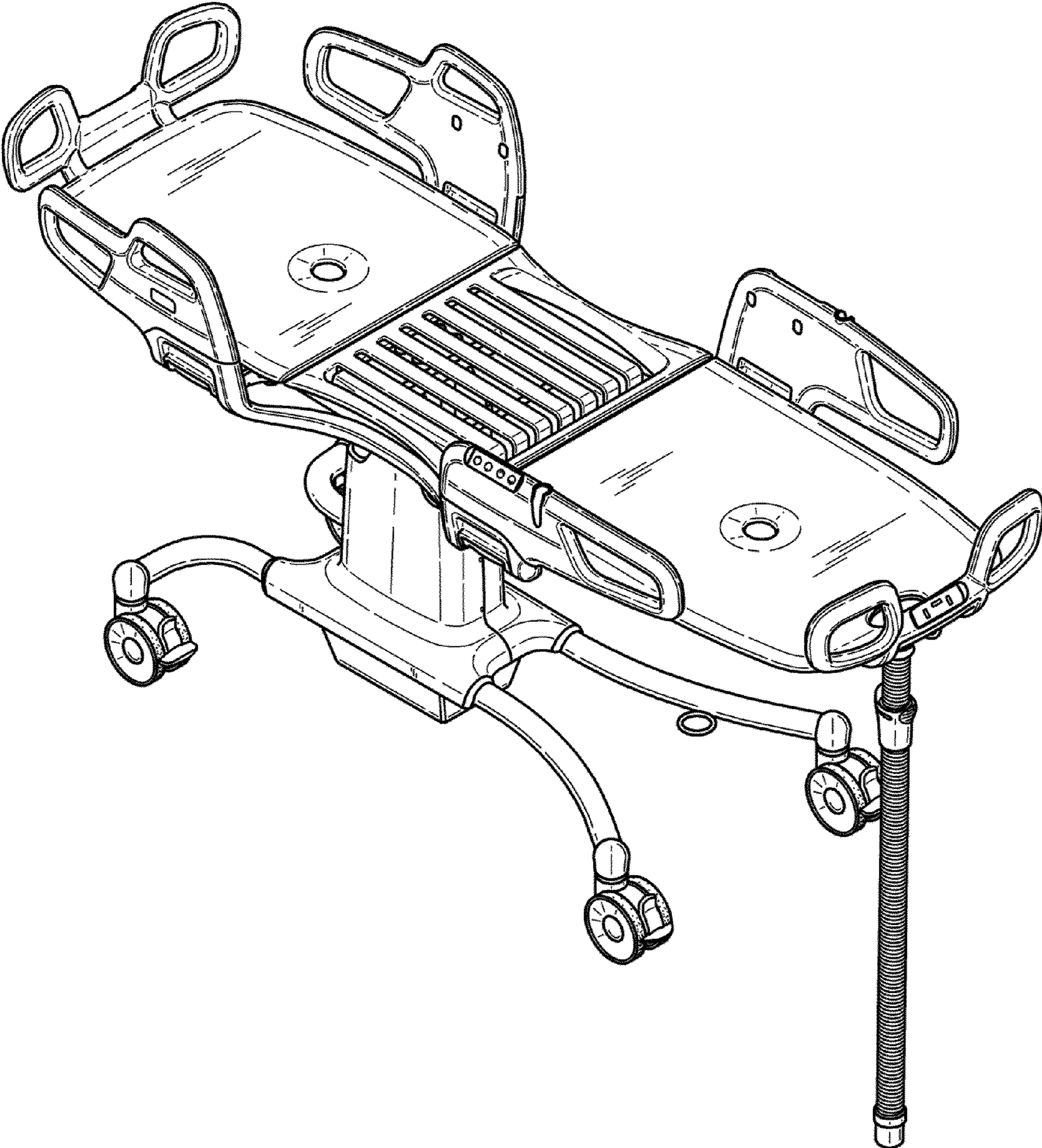


Fig. 1

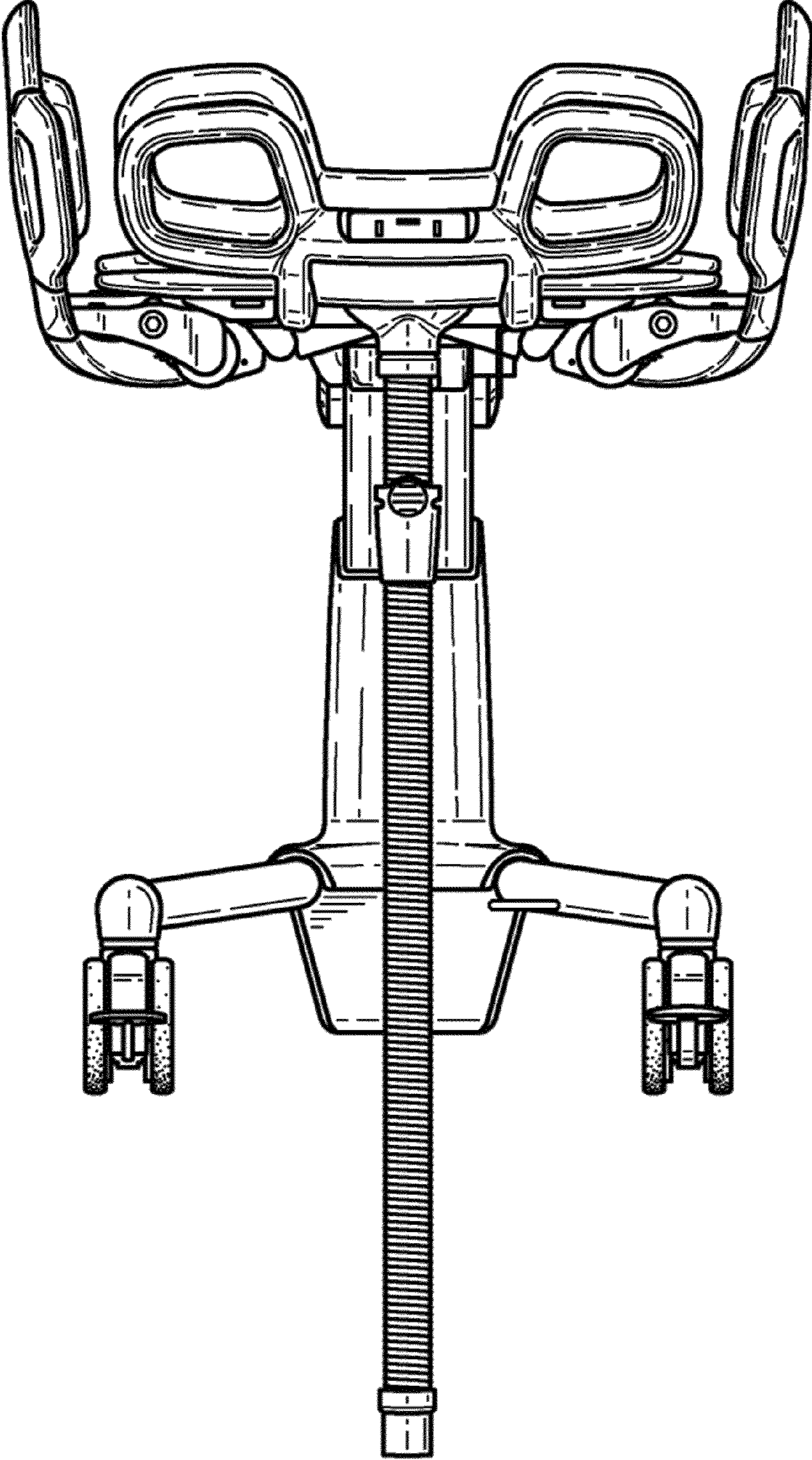


Fig. 2

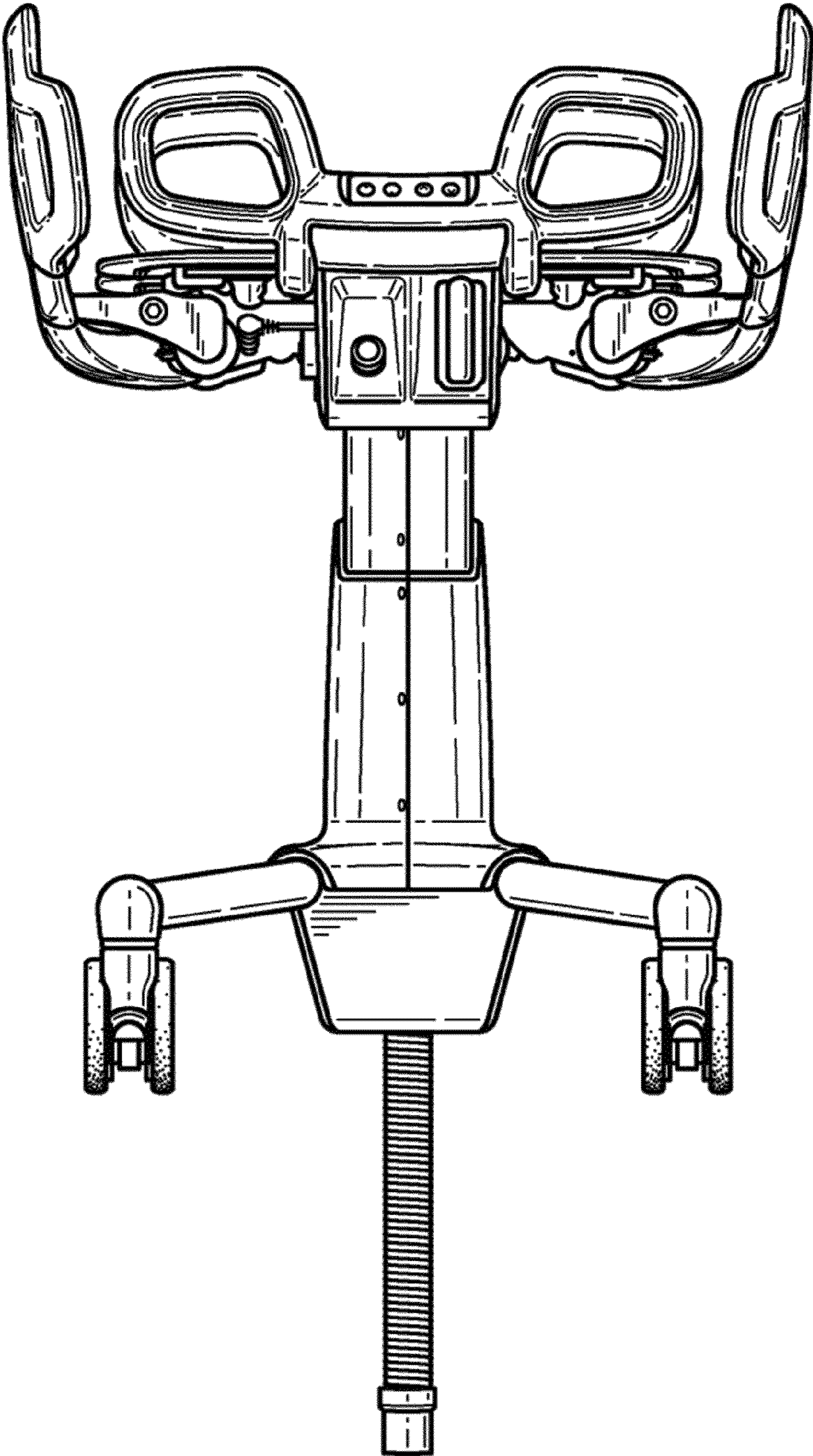


Fig. 3

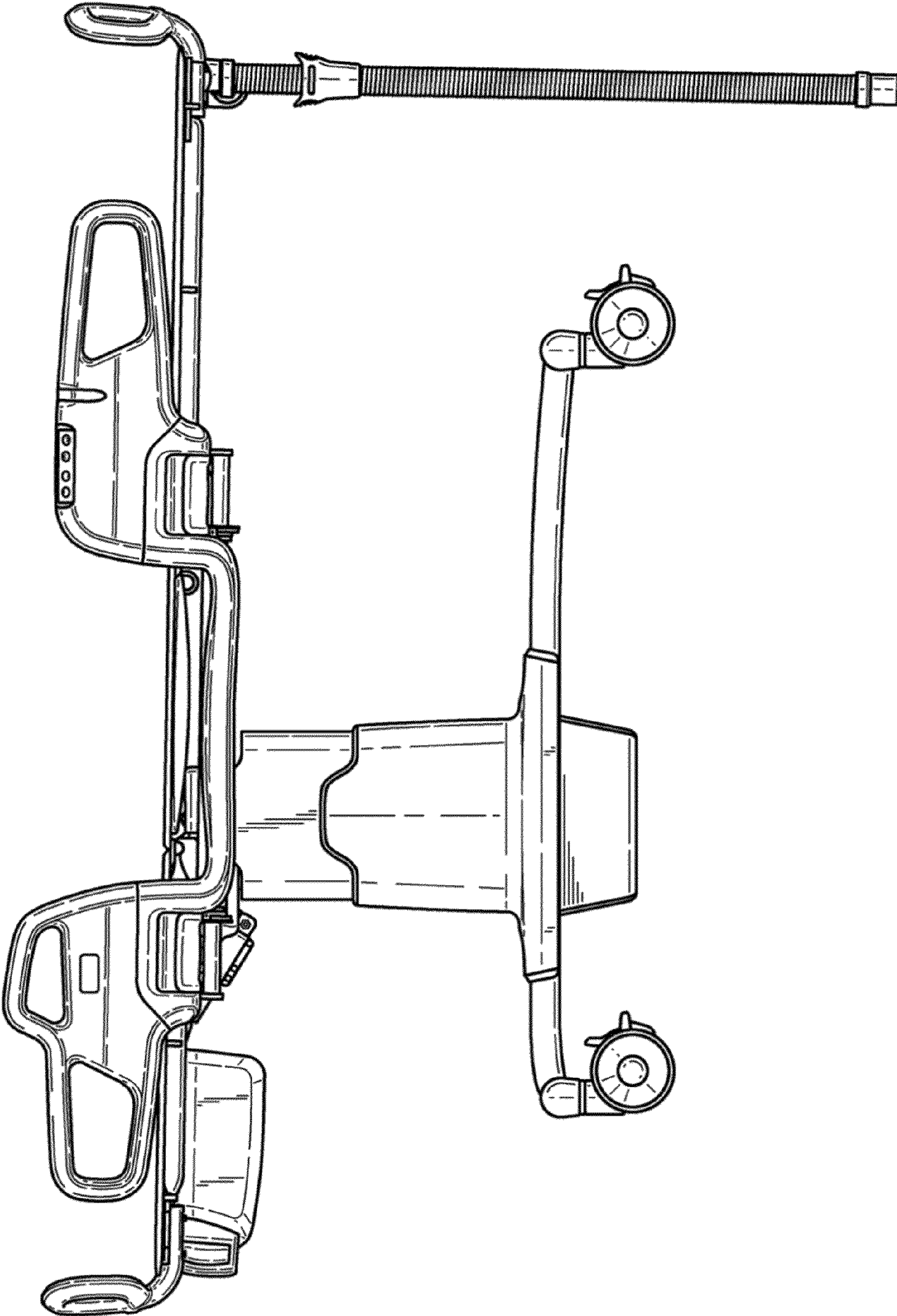


Fig. 4

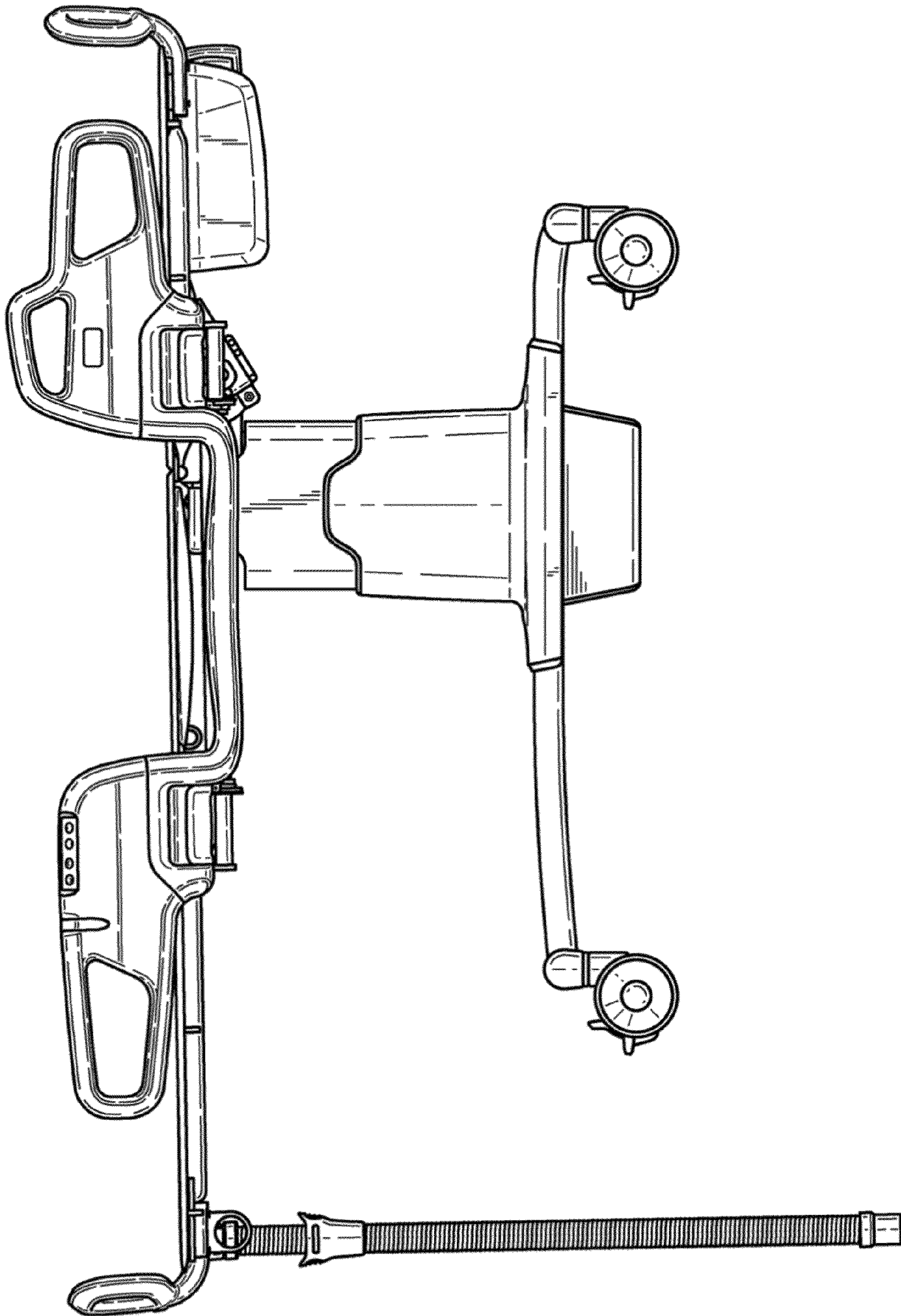


Fig. 5

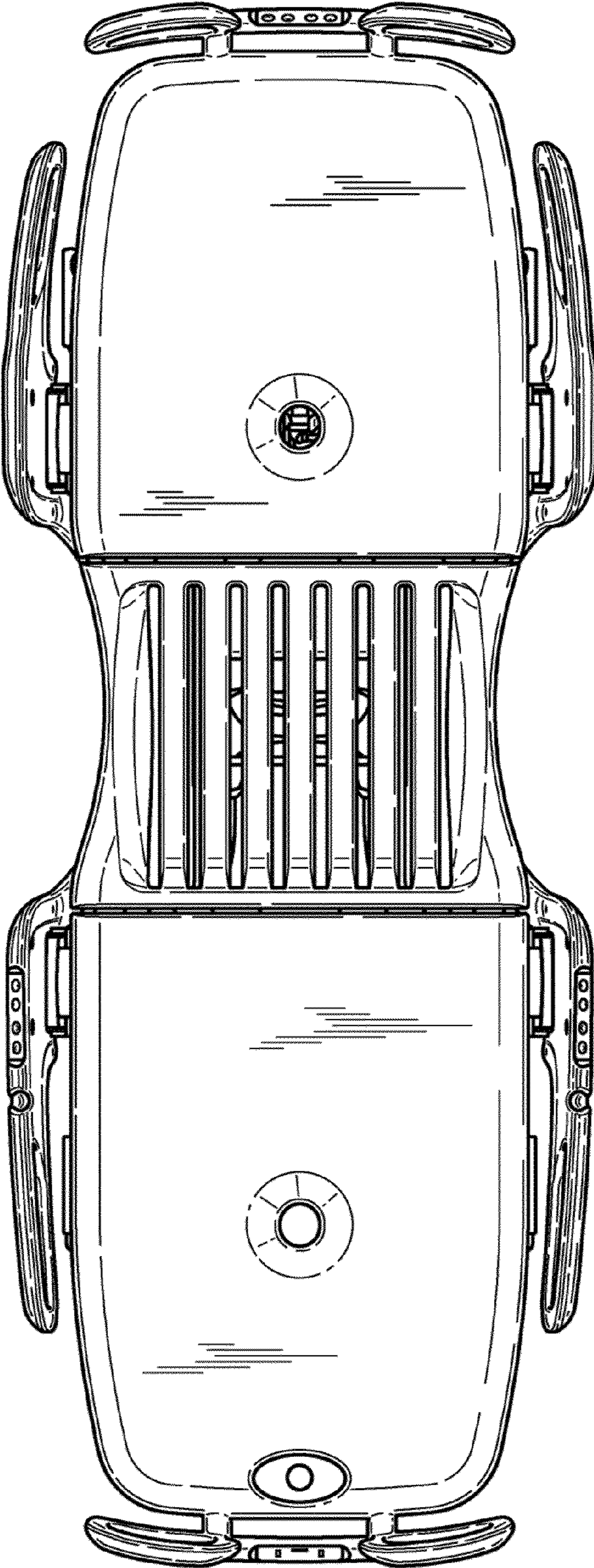


Fig. 6

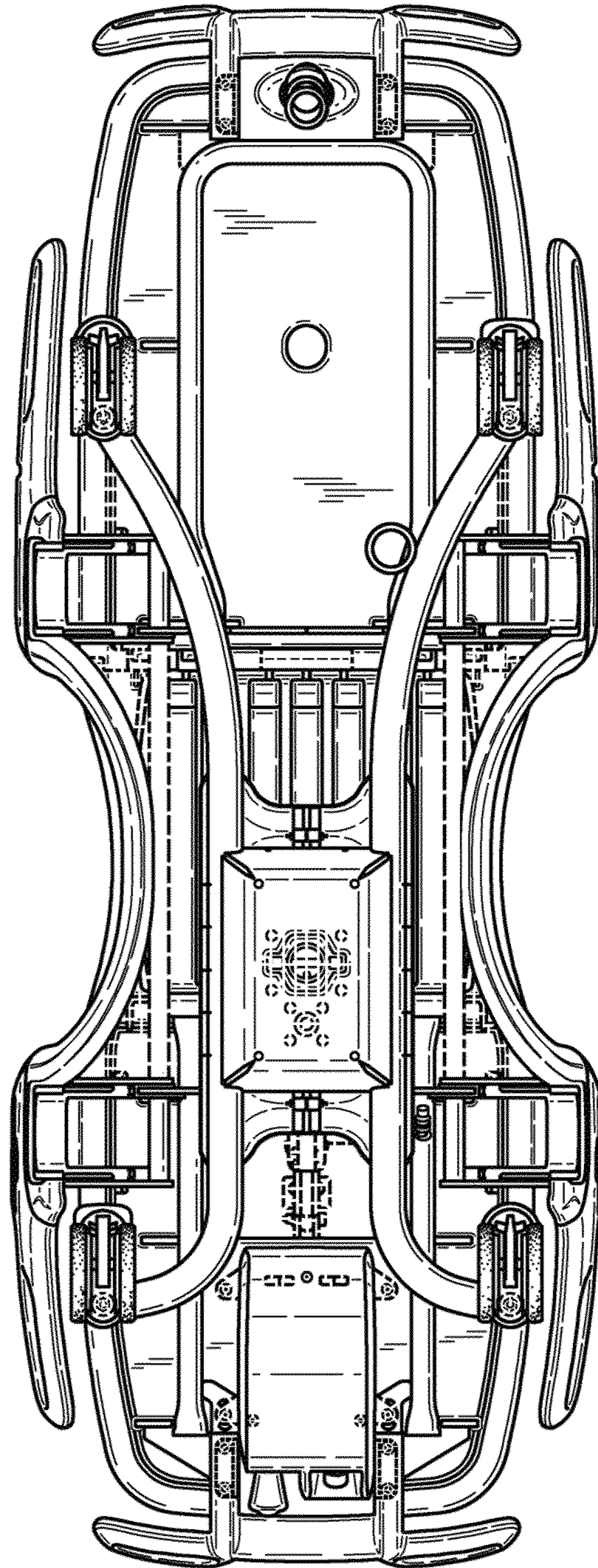


Fig. 7