



US00D726073S

(12) **United States Design Patent**
Kim

(10) **Patent No.:** **US D726,073 S**
(45) **Date of Patent:** **** Apr. 7, 2015**

(54) **AUTOMOBILE FOR PASSENGERS**

(71) Applicant: **Hyundai Motor Company**, Seoul (KR)

(72) Inventor: **Jun Ho Kim**, Gyeonggi-Do (KR)

(73) Assignee: **Hyundai Motor Company**, Seoul (KR)

(**) Term: **14 Years**

(21) Appl. No.: **29/463,690**

(22) Filed: **Feb. 6, 2014**

(30) **Foreign Application Priority Data**

Oct. 24, 2013 (KR) 30-2013-0053514

(51) **LOC (10) Cl.** **12-08**

(52) **U.S. Cl.**
USPC **D12/92**

(58) **Field of Classification Search**
USPC D12/86, 90-92; D21/421, 433, 434;
296/181.1, 181.5

See application file for complete search history.

(56) **References Cited**

U.S. PATENT DOCUMENTS

D584,191 S *	1/2009	Hall et al.	D12/92
D598,812 S *	8/2009	Kim	D12/92
D626,457 S *	11/2010	Lian et al.	D12/92
D636,296 S *	4/2011	Lian et al.	D12/92
D637,521 S *	5/2011	Kim	D12/92
D637,944 S *	5/2011	Lee	D12/92
D640,603 S *	6/2011	Ham	D12/92
D641,666 S *	7/2011	Yi	D12/92
D649,493 S *	11/2011	Kim	D12/92

D670,201 S *	11/2012	Ham	D12/92
D683,660 S *	6/2013	Sugiura et al.	D12/92
D686,533 S *	7/2013	Jang	D12/92
D696,608 S *	12/2013	Jeon et al.	D12/92
D696,609 S *	12/2013	Jang	D12/92
D700,544 S *	3/2014	Ramaciotti	D12/92
D700,870 S *	3/2014	Jevremovic et al.	D12/92
D710,761 S *	8/2014	Endo et al.	D12/92
D714,688 S *	10/2014	Baek	D12/92
D715,694 S *	10/2014	Kim	D12/92
2010/0301618 A1 *	12/2010	Costigan et al.	292/93
2012/0319449 A1 *	12/2012	Schenten et al.	297/452.18

* cited by examiner

Primary Examiner — Melody N Brown

(74) *Attorney, Agent, or Firm* — Mintz Levin Cohn Ferris Glovsky and Popeo, P.C.; Kongsik Kim

(57) **CLAIM**

The ornamental design for automobile for passengers, as shown and described.

DESCRIPTION

FIG. 1 is a perspective view of automobile for passengers according to the present invention.

FIG. 2 is a front view of automobile for passengers of FIG. 1.

FIG. 3 is a rear view of automobile for passengers of FIG. 1.

FIG. 4 is a left side view of automobile for passengers of FIG. 1.

FIG. 5 is a right side view of automobile for passengers of FIG. 1; and,

FIG. 6 is a top view of automobile for passengers of FIG. 1. A bottom view thereof is omitted since it does not contain ornamental feature.

1 Claim, 6 Drawing Sheets



FIG. 1



FIG. 2

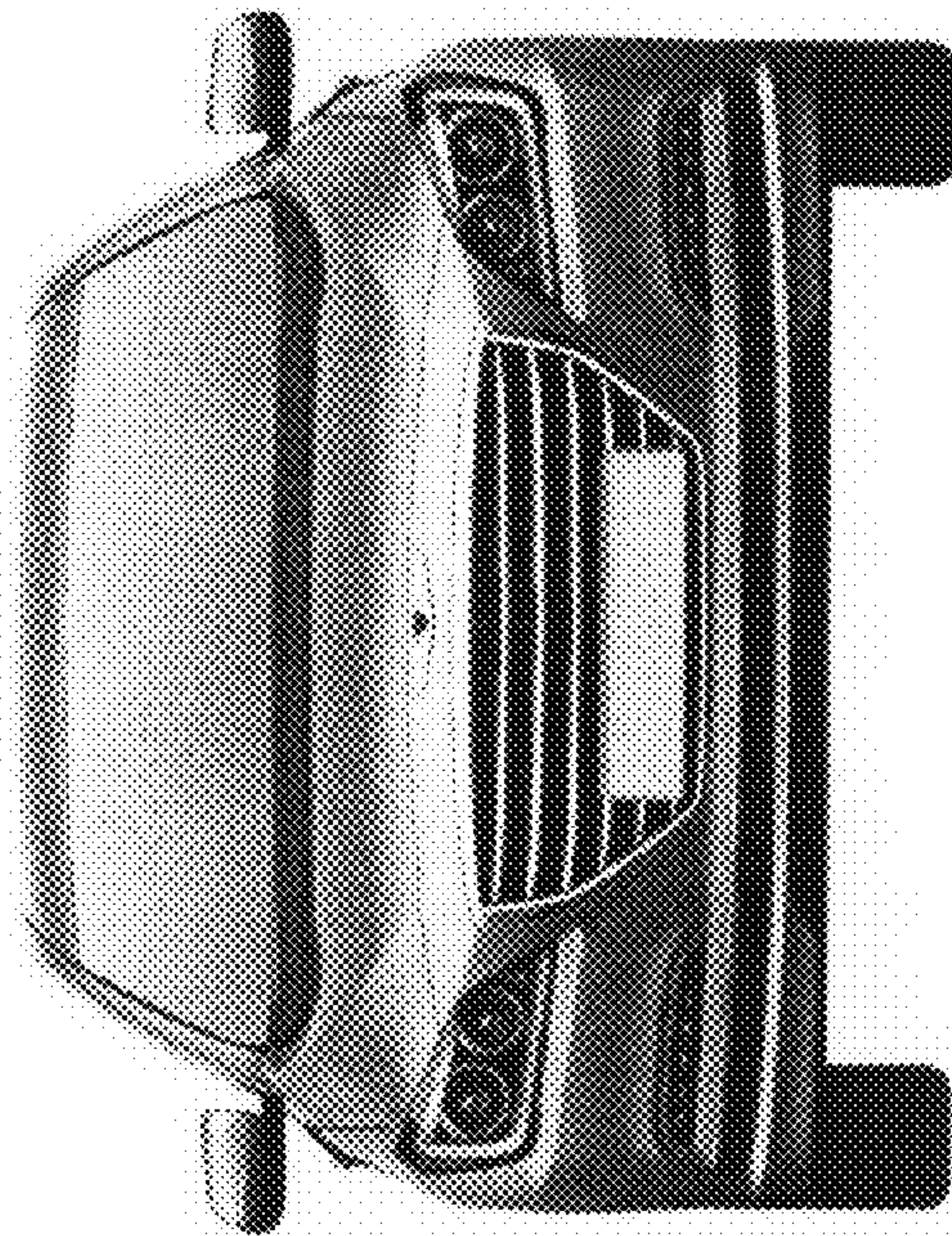


FIG. 3

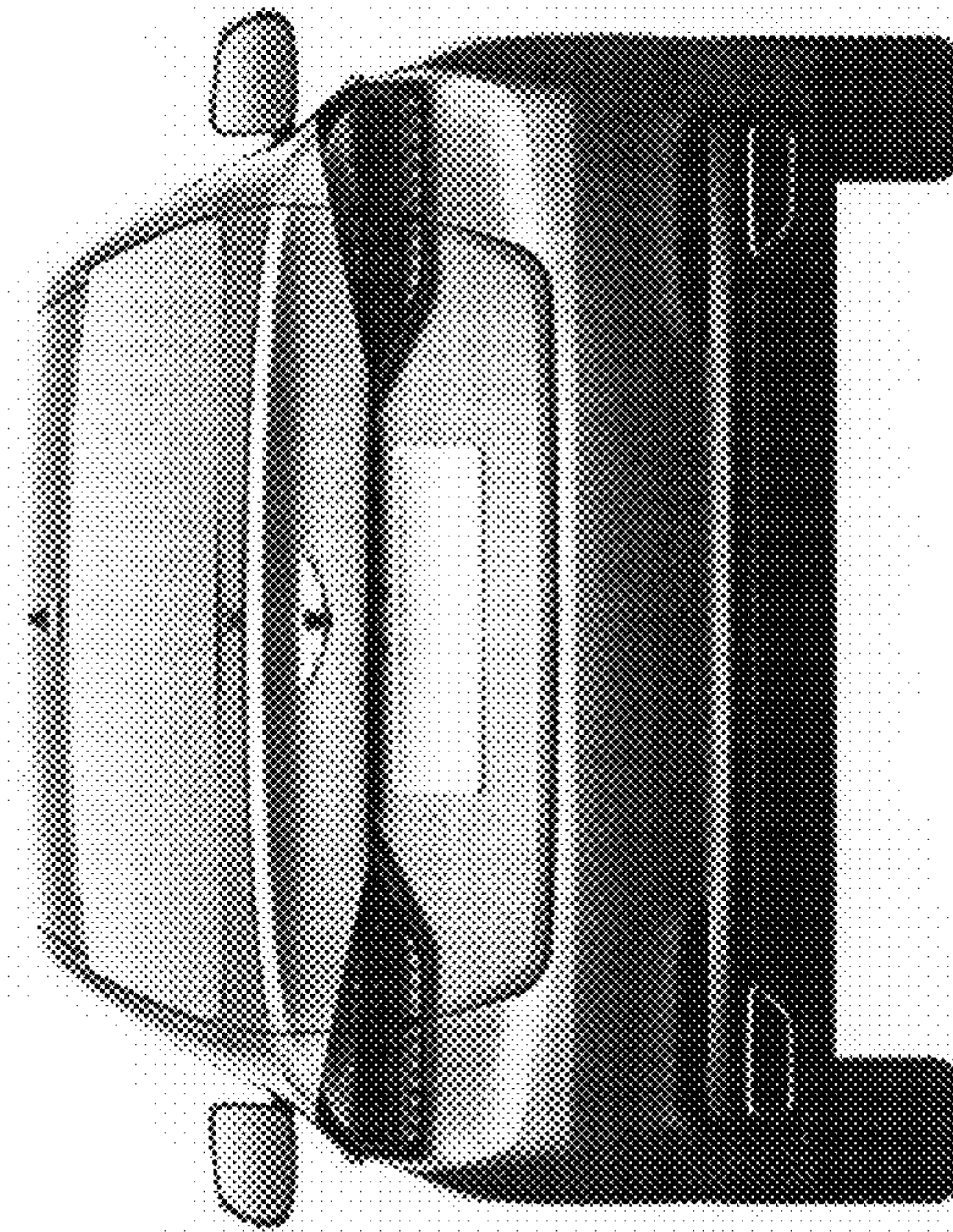


FIG. 4

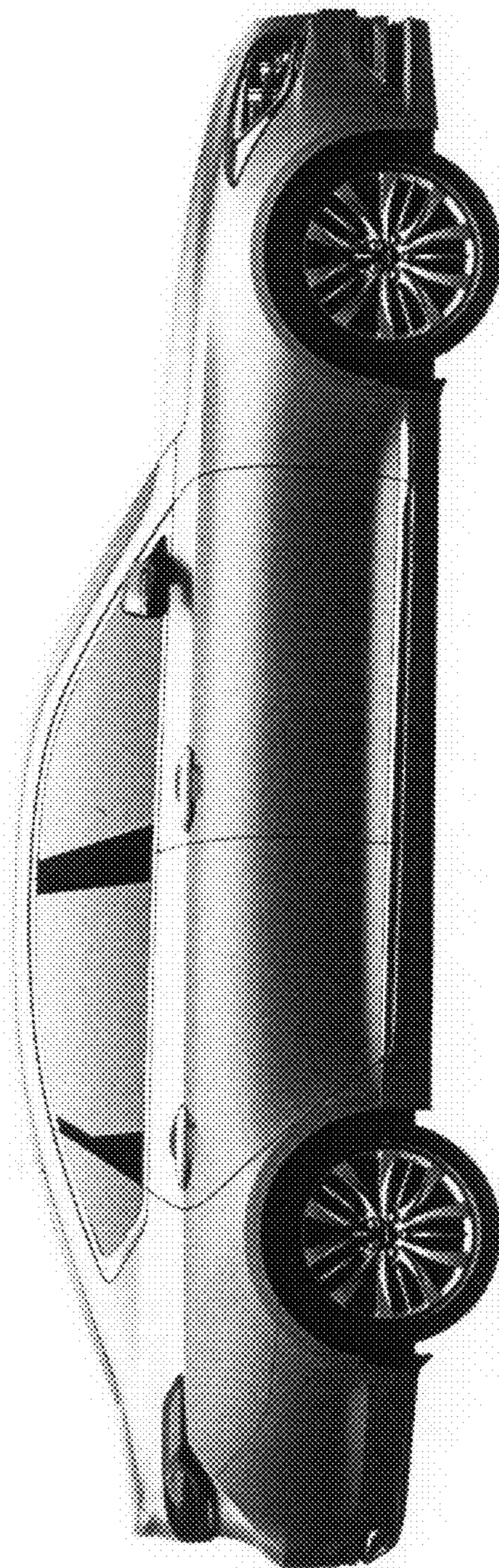


FIG. 5

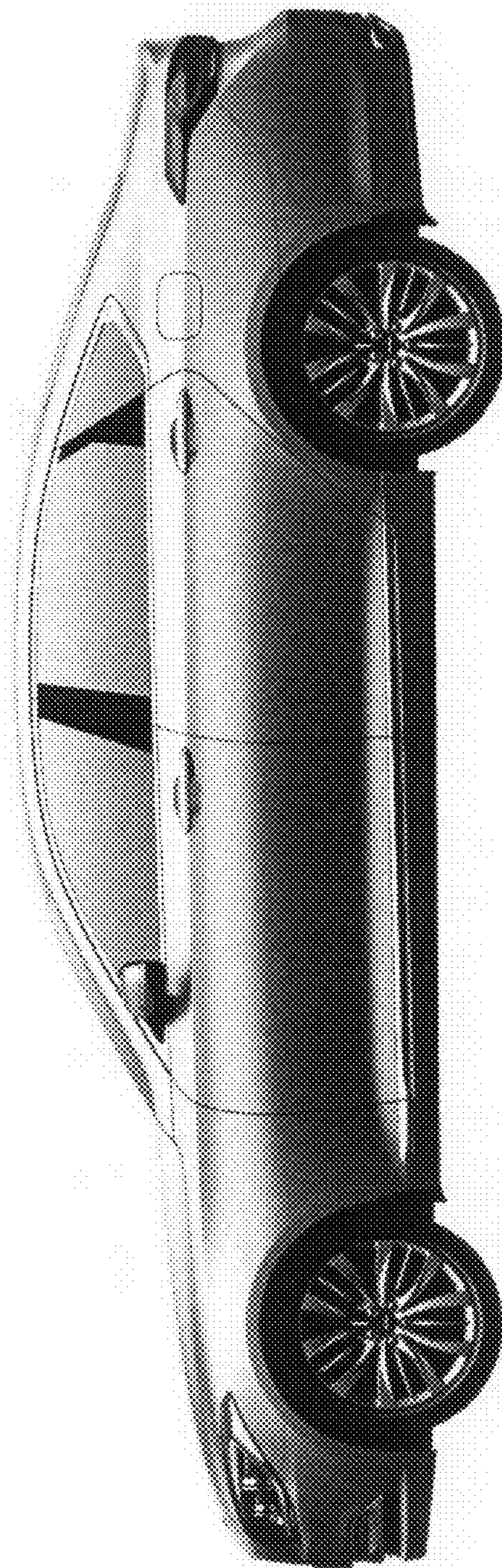


FIG. 6

