



US00D726072S

(12) **United States Design Patent**
Scott

(10) **Patent No.:** **US D726,072 S**
(45) **Date of Patent:** **** Apr. 7, 2015**

(54) **RAIL FOR A SUSPENDED RAIL SYSTEM**

(76) Inventor: **Antony Scott**, Caves Beach (AU)

(**) Term: **14 Years**

(21) Appl. No.: **29/425,178**

(22) Filed: **Jun. 20, 2012**

(30) **Foreign Application Priority Data**

Dec. 21, 2011 (AU) 15911/2011

(51) **LOC (10) CL.** **12-03**

(52) **U.S. CL.**
USPC **D12/49**

(58) **Field of Classification Search**

CPC B61K 1/00; E01B 5/02; B61B 3/00;
B61B 13/00; B61B 5/00; B61B 7/00; B61B
1/00; B61B 5/02; B61B 13/04; B61B 13/08
USPC D8/32, 349, 363; D12/37, 45, 47, 49,
D12/50, 51, 414; D25/121, 41.1, 38.1, 42,
D25/43, 44, 60, 61, 62, 199, 126; 105/148,
105/150, 155, 29.1, 225, 199.1, 199.2,
105/199.3, 199.4, 199.5; 254/133 R;
104/91, 94, 89, 111; 188/52, 205 R,
188/212, 233.3, 219.1, 190; 384/15, 45;
238/122, 123, 319; 296/71

See application file for complete search history.

(56) **References Cited**

U.S. PATENT DOCUMENTS

2,553,345 A * 5/1951 Willis 188/212
2,808,906 A * 10/1957 Busch 188/190
3,376,831 A * 4/1968 Eaton et al. 105/197.05
3,974,777 A * 8/1976 Monne 104/94
4,102,550 A 7/1978 Campbell et al.
4,130,068 A * 12/1978 Stark et al. 105/420
4,255,070 A 3/1981 Calhoun
4,359,003 A * 11/1982 Miller et al. 105/420
4,531,460 A * 7/1985 Pamer 105/150

4,919,053 A * 4/1990 Redondo 104/91
5,421,437 A * 6/1995 Malachowski 188/233.3
5,598,785 A * 2/1997 Zaguroli, Jr. 104/111
5,682,964 A * 11/1997 Murphy 188/52
5,924,654 A * 7/1999 Anderson 246/169 R
6,367,590 B1 * 4/2002 Burke 188/52
D497,838 S * 11/2004 Anderson D12/47
D583,965 S * 12/2008 Castellanos D25/125
D598,138 S * 8/2009 Bergmann D25/121
7,762,305 B2 * 7/2010 Huang 160/201
7,850,026 B2 * 12/2010 McKay 212/315
D652,350 S * 1/2012 Sands et al. D12/50

(Continued)

FOREIGN PATENT DOCUMENTS

GB 2 060 559 A 5/1981
GB 2 238 765 A 6/1991

Primary Examiner — Cathron Brooks

Assistant Examiner — Clese Moore, Jr.

(74) *Attorney, Agent, or Firm* — Pearne & Gordon LLP

(57) **CLAIM**

The ornamental design for a rail for a suspended rail system,
as shown and described.

DESCRIPTION

FIG. 1 is an isometric view of a rail for a suspended rail
system, showing my new design;

FIG. 2 is an end view thereof;

FIG. 3 is a top view thereof;

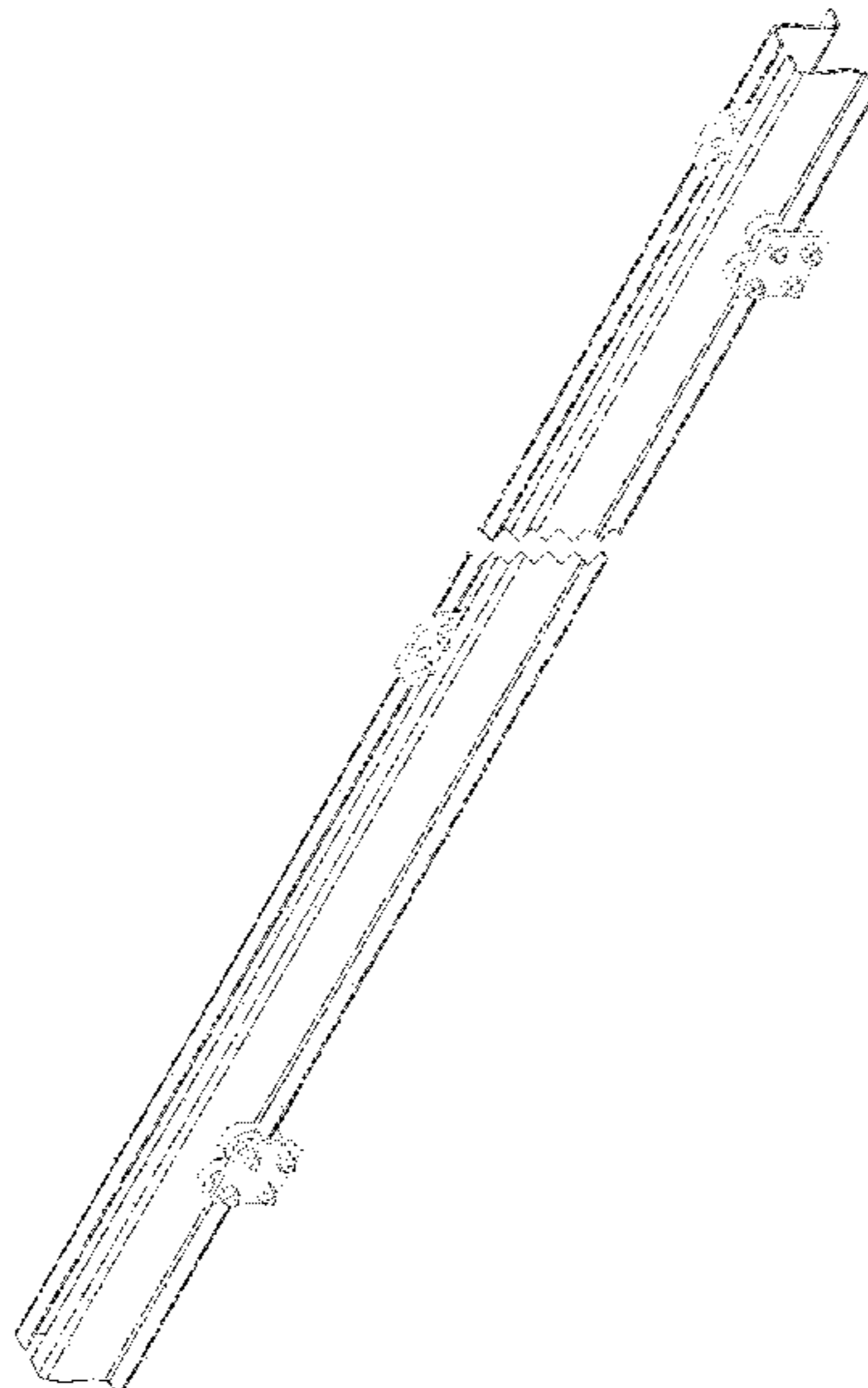
FIG. 4 is a side view thereof; and,

FIG. 5 is a bottom view thereof.

The rail for a suspended rail system is shown with a symbolic
break in its length. The appearance of any portion of the
article between the break lines forms no part of the claimed
design.

The broken lines shown illustrate environmental structure of
the rail for a suspended rail system, and form no part of the
claimed design.

1 Claim, 2 Drawing Sheets



(56)

References Cited

U.S. PATENT DOCUMENTS

D666,327 S *	8/2012	Morton	D25/121	8,590,456 B2 *	11/2013	Ipsen	104/94
8,286,559 B2 *	10/2012	Robinson et al.	104/94	8,668,059 B2 *	3/2014	De La Fuente-Farias et al.	188/233.3
D689,205 S *	9/2013	Guertin	D25/121	2008/0066640 A1	3/2008	Hutchinson	
				2013/0167751 A1 *	7/2013	Rosenwinkel	104/118

* cited by examiner

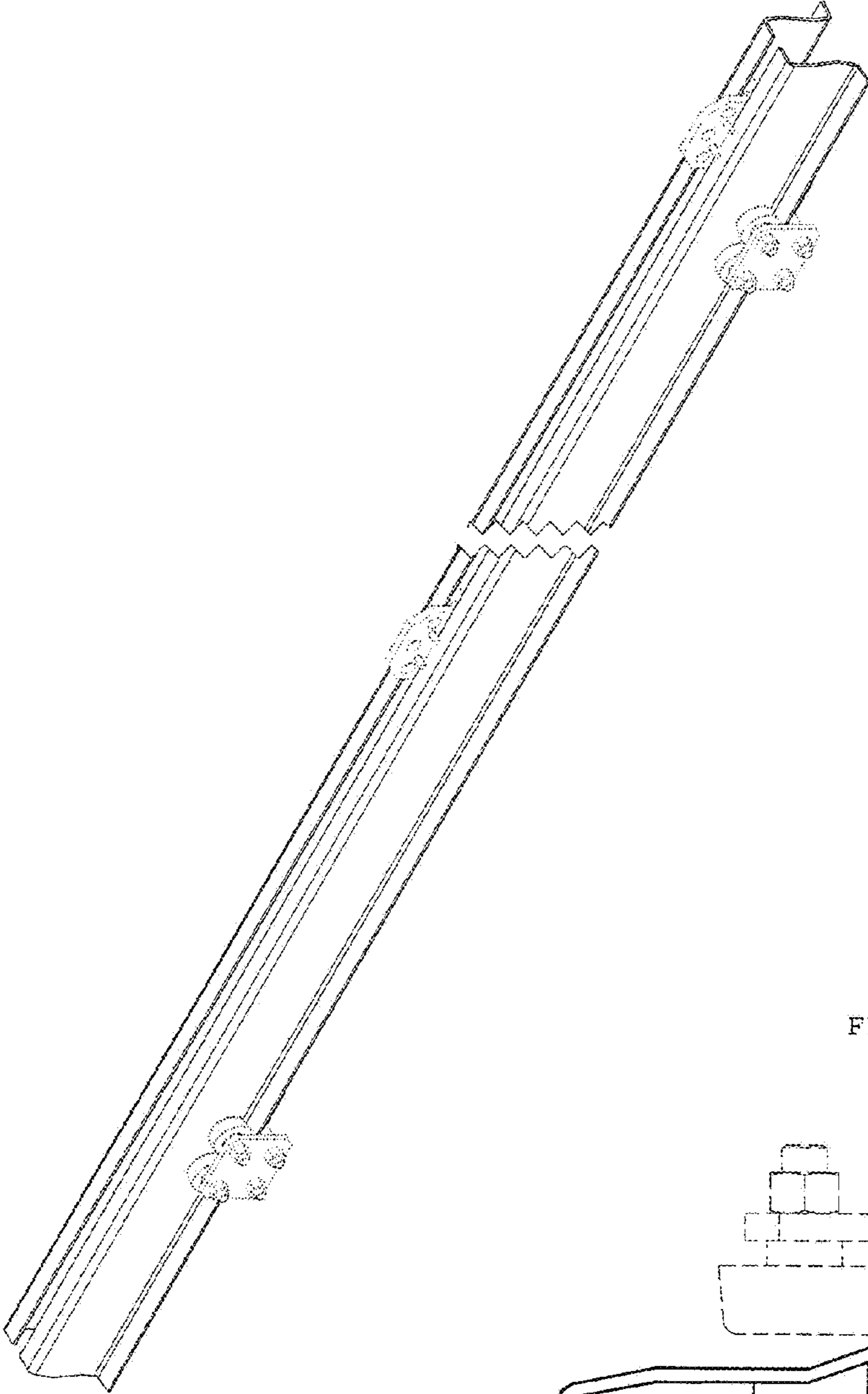


FIG. 1

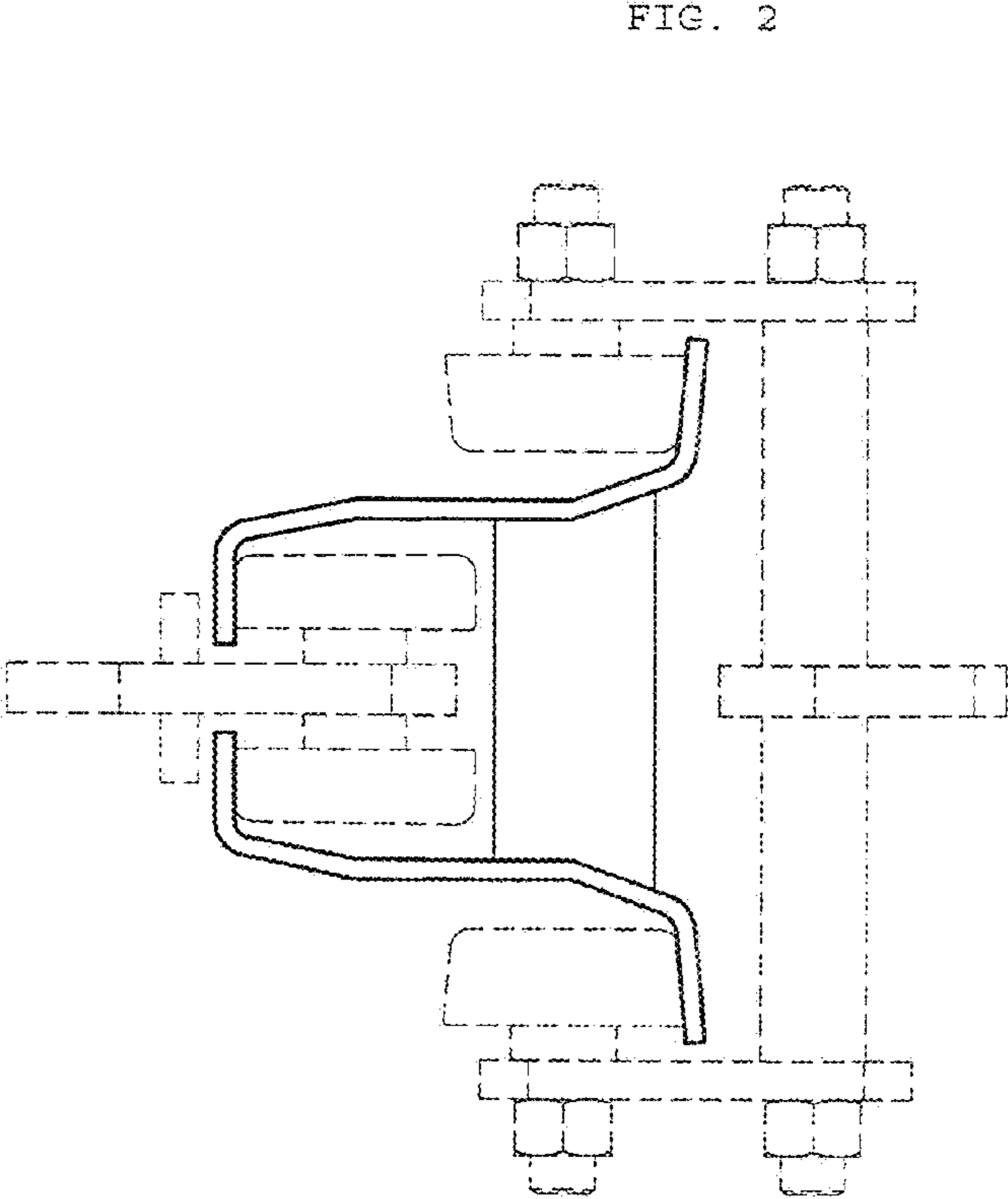


FIG. 2

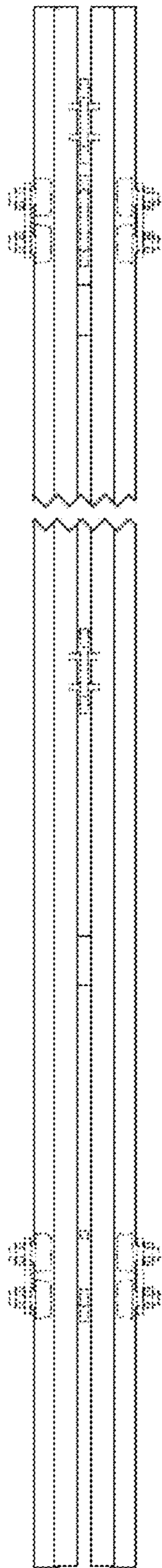


FIG. 3

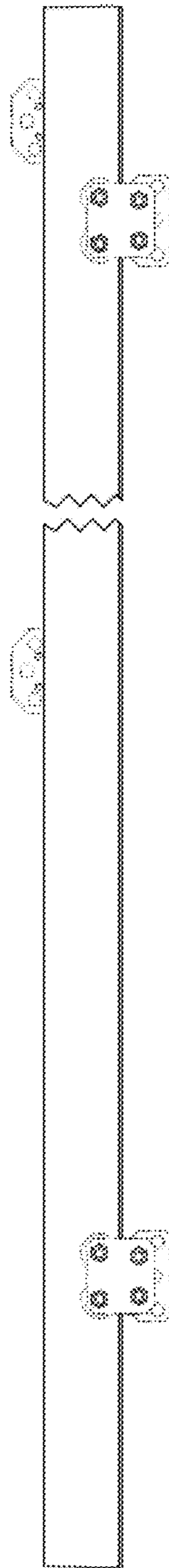


FIG. 4

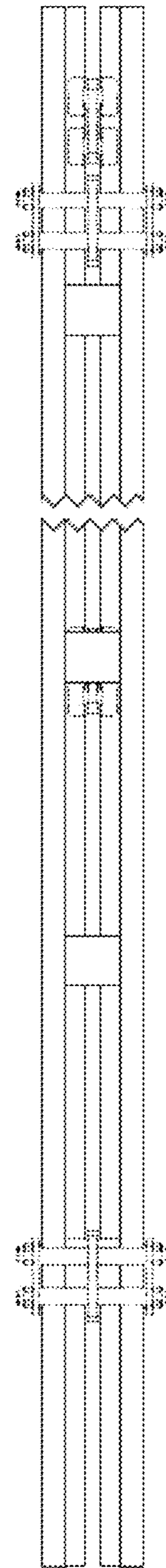


FIG. 5