



US00D726071S

(12) **United States Design Patent**
Aoyama

(10) **Patent No.:** **US D726,071 S**

(45) **Date of Patent:** **** Apr. 7, 2015**

(54) **PLANT POT**

(71) Applicant: **Kaneya Co., Ltd**, Aichi-ken (JP)

(72) Inventor: **Matsuo Aoyama**, Aichi-ken (JP)

(73) Assignee: **Kaneya Co., Ltd.**, Aichi-Ken (JP)

(**) Term: **14 Years**

(21) Appl. No.: **29/467,918**

(22) Filed: **Sep. 25, 2013**

(30) **Foreign Application Priority Data**

May 22, 2013 (JP) 2013-11191

(51) **LOC (10) Cl.** **11-02**

(52) **U.S. Cl.**
USPC **D11/155**

(58) **Field of Classification Search**
USPC D6/403-405, 556-559, 570;
D11/143-156, 164; D19/77, 80, 81,
D19/84; D25/15, 100, 105, 113; D26/9, 10,
D26/11, 16, 19; D34/1, 2, 4-6; 47/17, 32.4,
47/32.5, 32.7, 33, 39, 41.01, 41.1,
47/41.11-41.15, 44-47, 63, 65.5, 65.9,
47/66.6, 66.7, 67-71; D8/1
See application file for complete search history.

(56) **References Cited**

U.S. PATENT DOCUMENTS

D253,872 S * 1/1980 Reynolds D9/428
D313,391 S * 1/1991 Pudwill D13/103
D333,196 S * 2/1993 Dziersk et al. D34/1
D477,791 S * 7/2003 Wells D11/146
D480,326 S * 10/2003 Carlson D11/155
D521,203 S * 5/2006 Sofy et al. D34/1
D557,174 S * 12/2007 Aoyama D11/152
D604,665 S * 11/2009 Aoyama D11/152

D625,067 S * 10/2010 Shannon D34/1
D630,547 S * 1/2011 Aoyama D11/152
D631,391 S * 1/2011 Aoyama D11/152
D649,729 S * 11/2011 Salonen et al. D34/1
D659,586 S * 5/2012 Brandstatter D11/155

FOREIGN PATENT DOCUMENTS

JP D1467310 4/2013
JP D1467774 4/2013
JP D1467775 4/2013
JP D1467776 4/2013
JP D1467777 4/2013

* cited by examiner

Primary Examiner — Robert M Spear

Assistant Examiner — Marissa J Cash

(74) *Attorney, Agent, or Firm* — Patterson Thuent Pedersen, P A

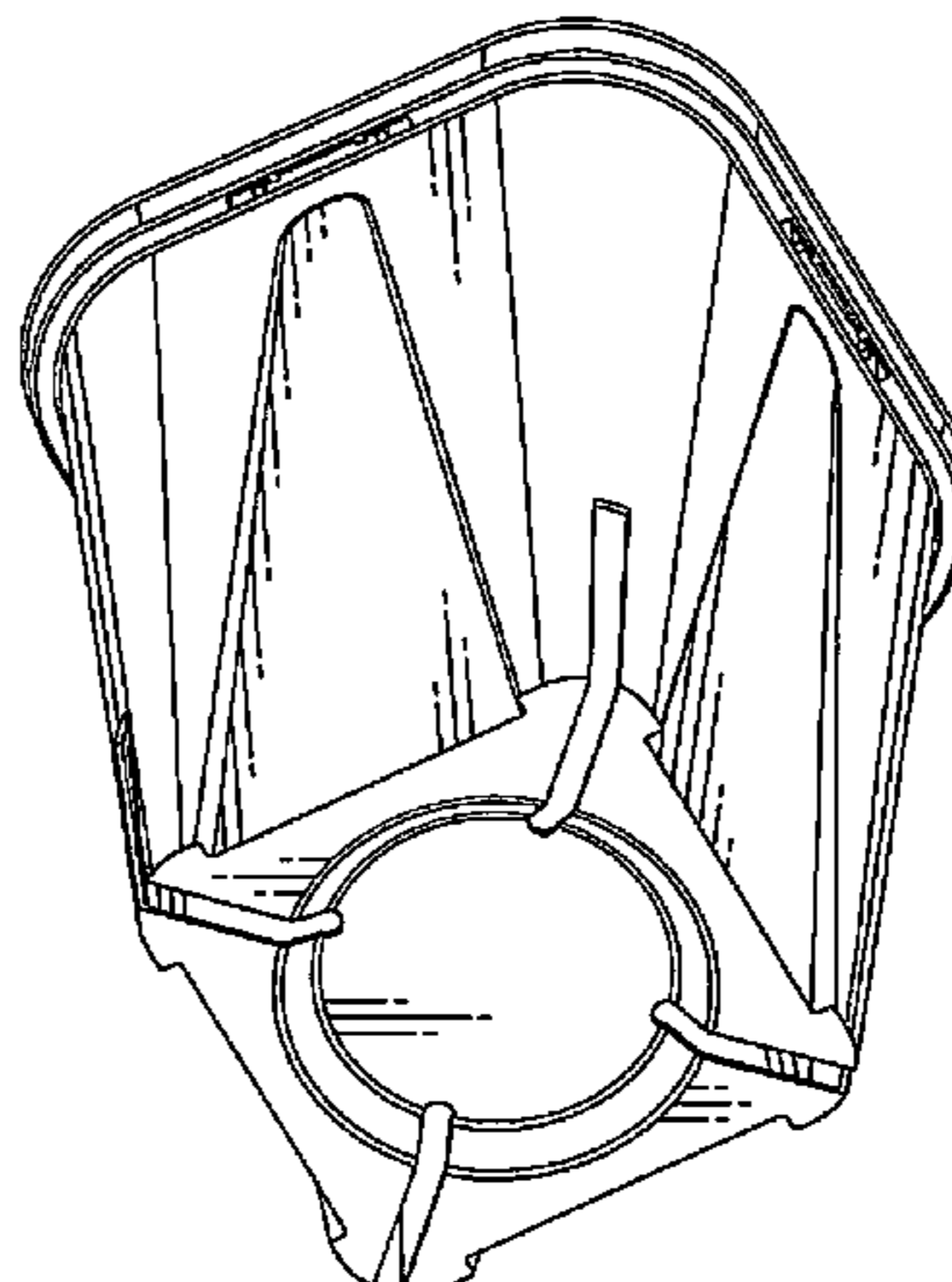
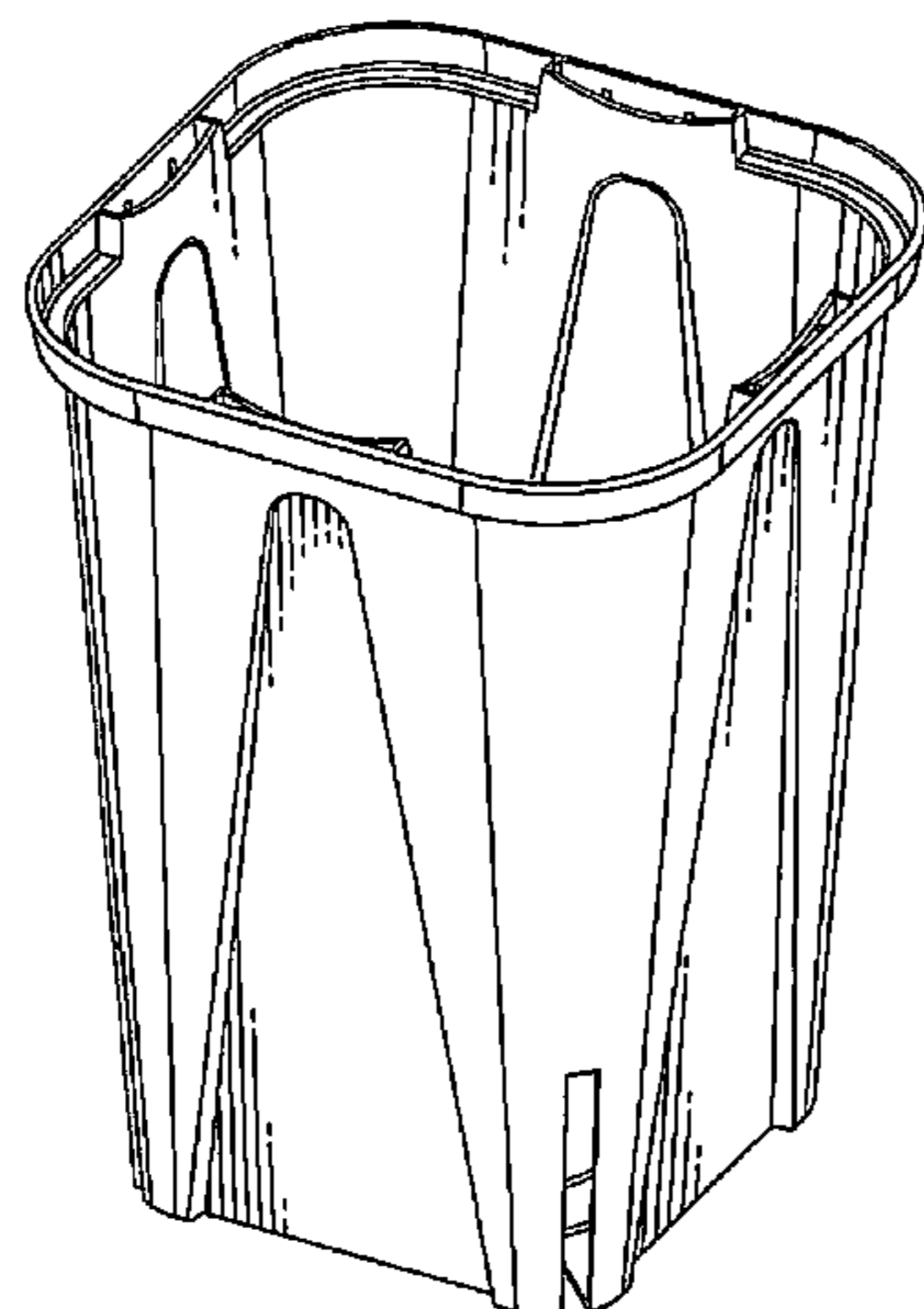
(57) **CLAIM**

The ornamental design for a plant pot, as shown and described.

DESCRIPTION

FIG. 1 is a perspective view viewed from the top side of a plant pot according showing our new design;
FIG. 2 is a perspective view viewed from bottom side thereof;
FIG. 3 is a front elevation view thereof;
FIG. 4 is a right side elevation view thereof;
FIG. 5 is a top plan view thereof;
FIG. 6 is a bottom plan view thereof;
FIG. 7 is a sectional view taken along line VII-VII in FIG. 3 thereof;
FIG. 8 is a sectional view taken along line VII-VII in FIG. 3 thereof;
FIG. 9 is a sectional view taken along line IX-IX in FIG. 3 thereof; and,
FIG. 10 is a sectional view taken along line X-X in FIG. 5 thereof.

1 Claim, 5 Drawing Sheets



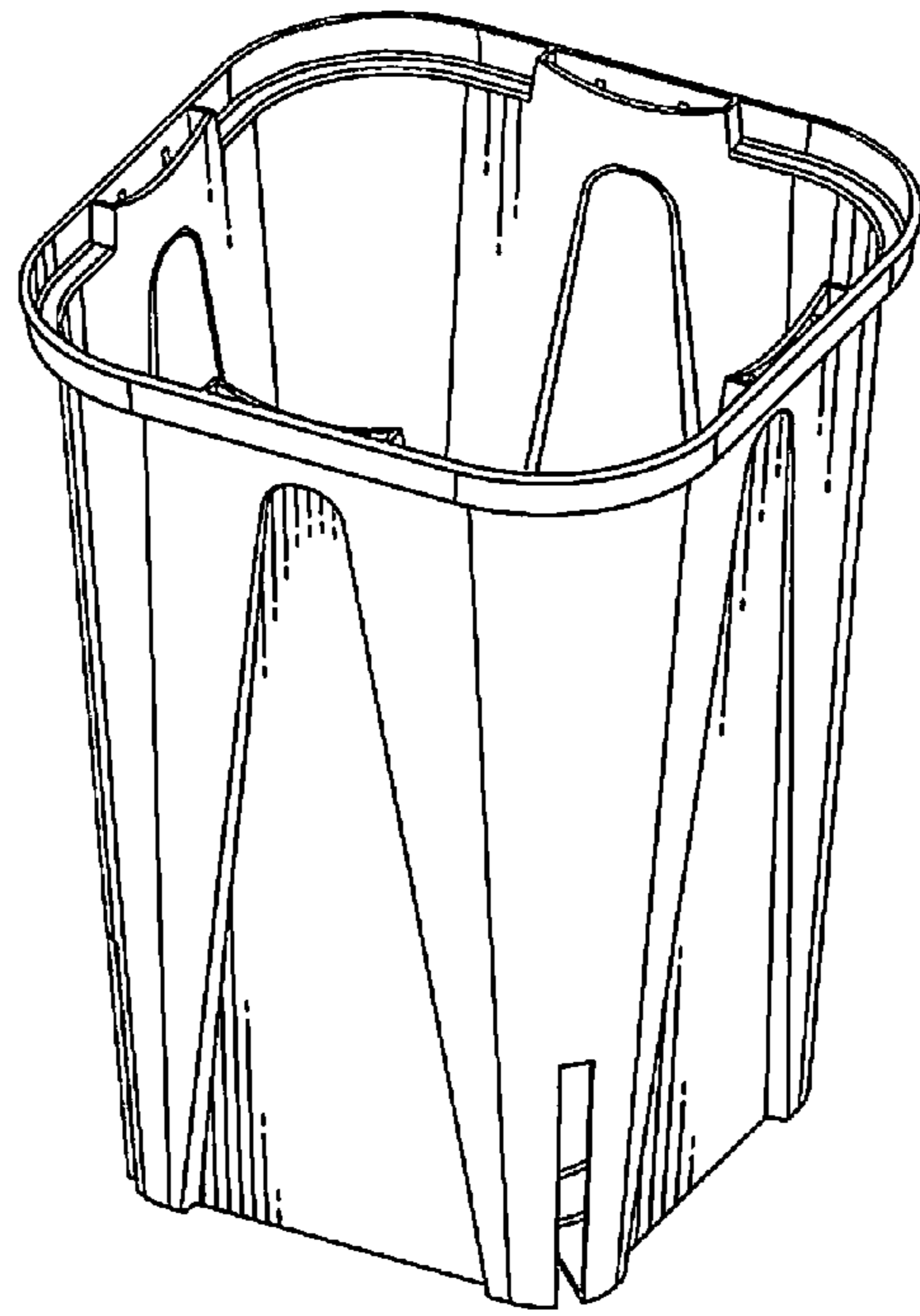


FIG. 1

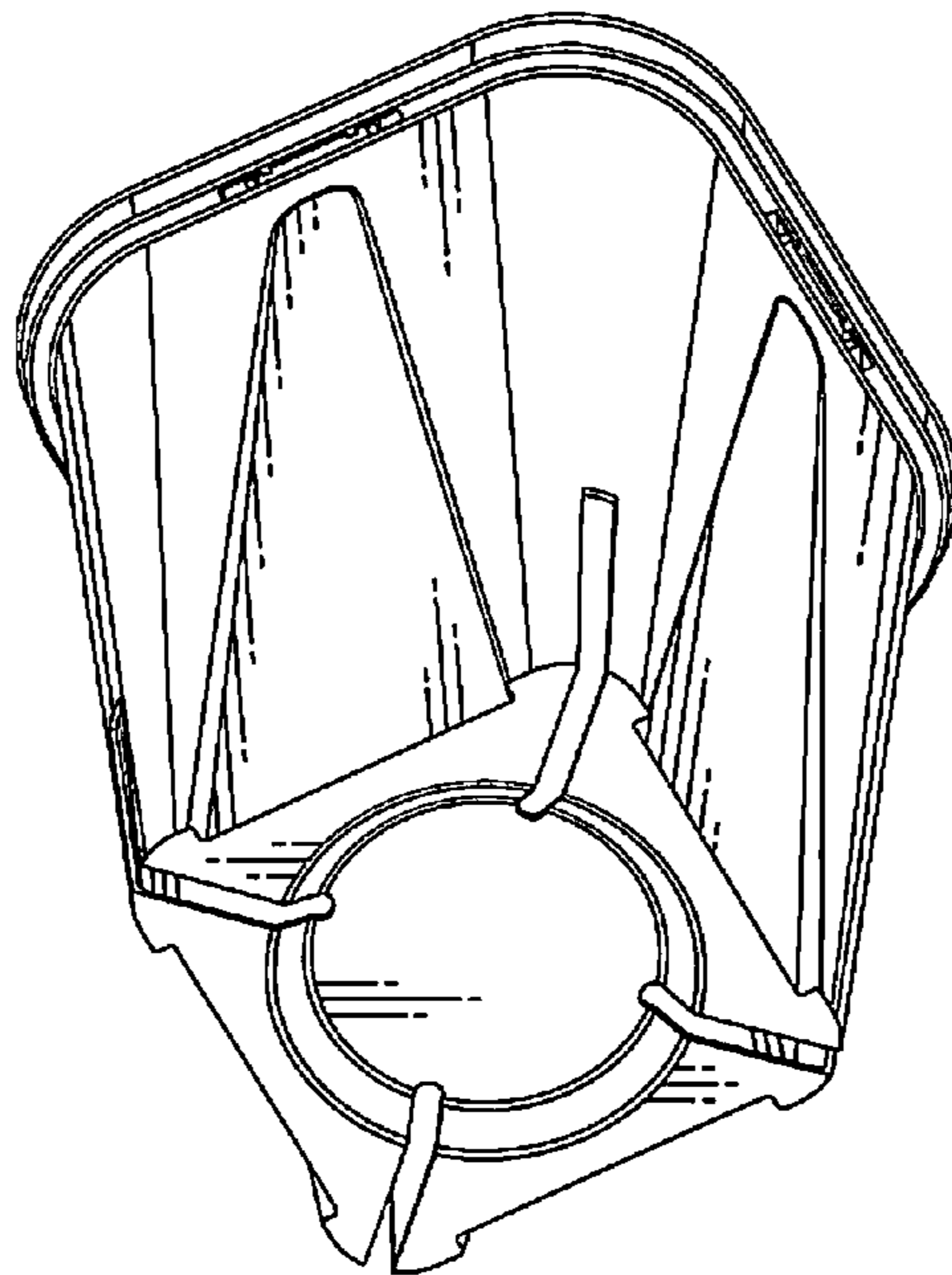


FIG. 2

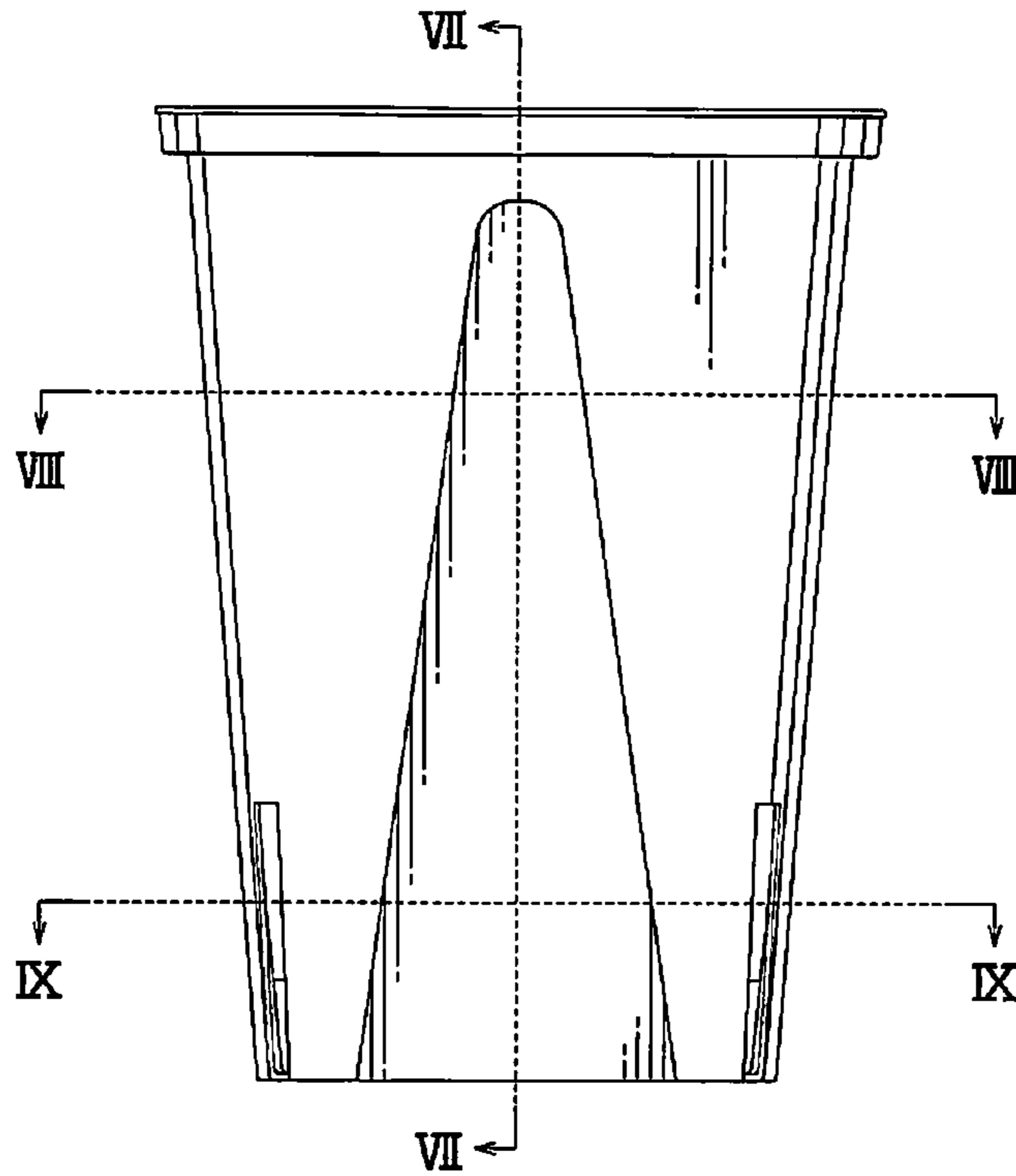


FIG. 3

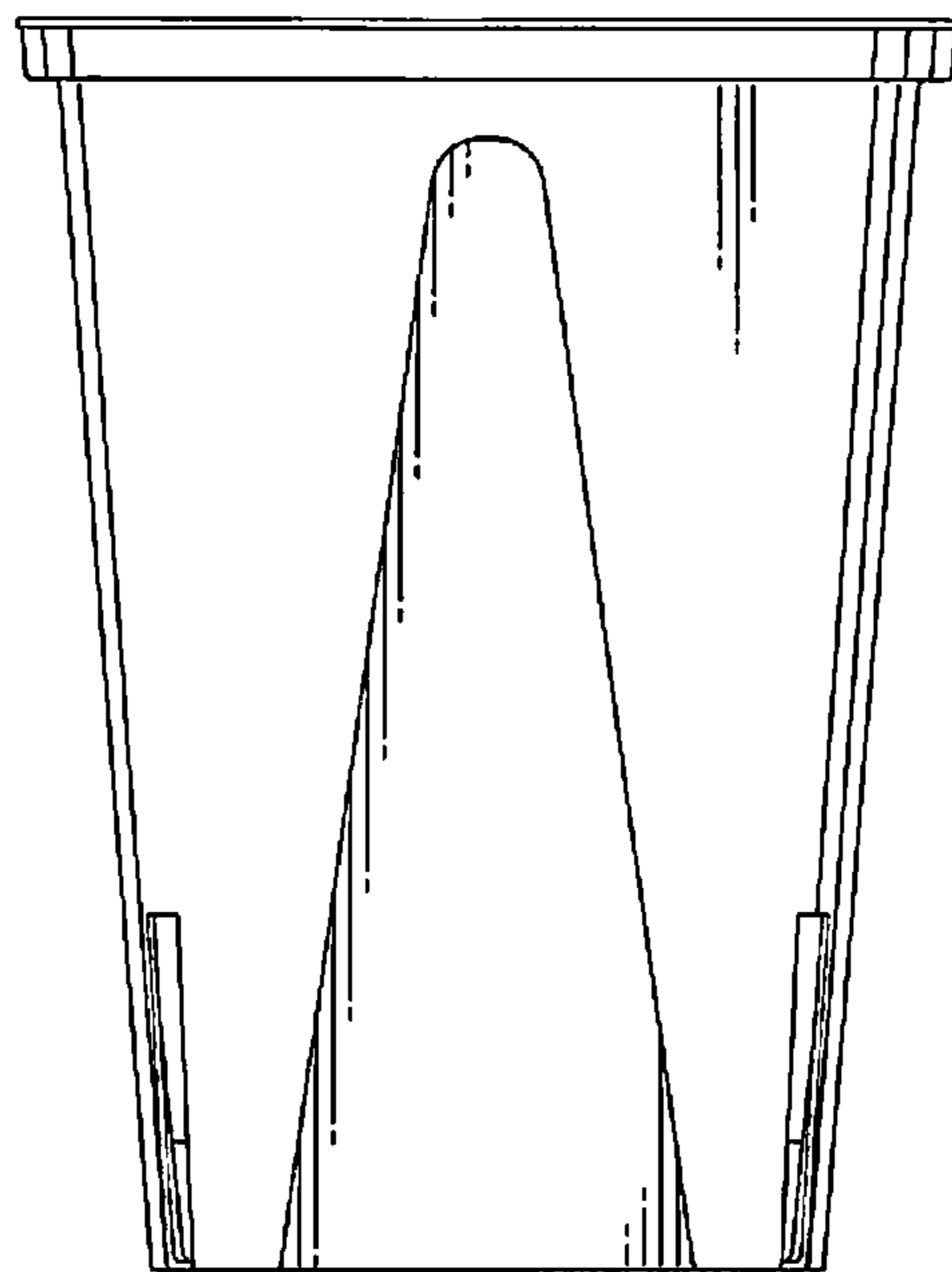


FIG. 4

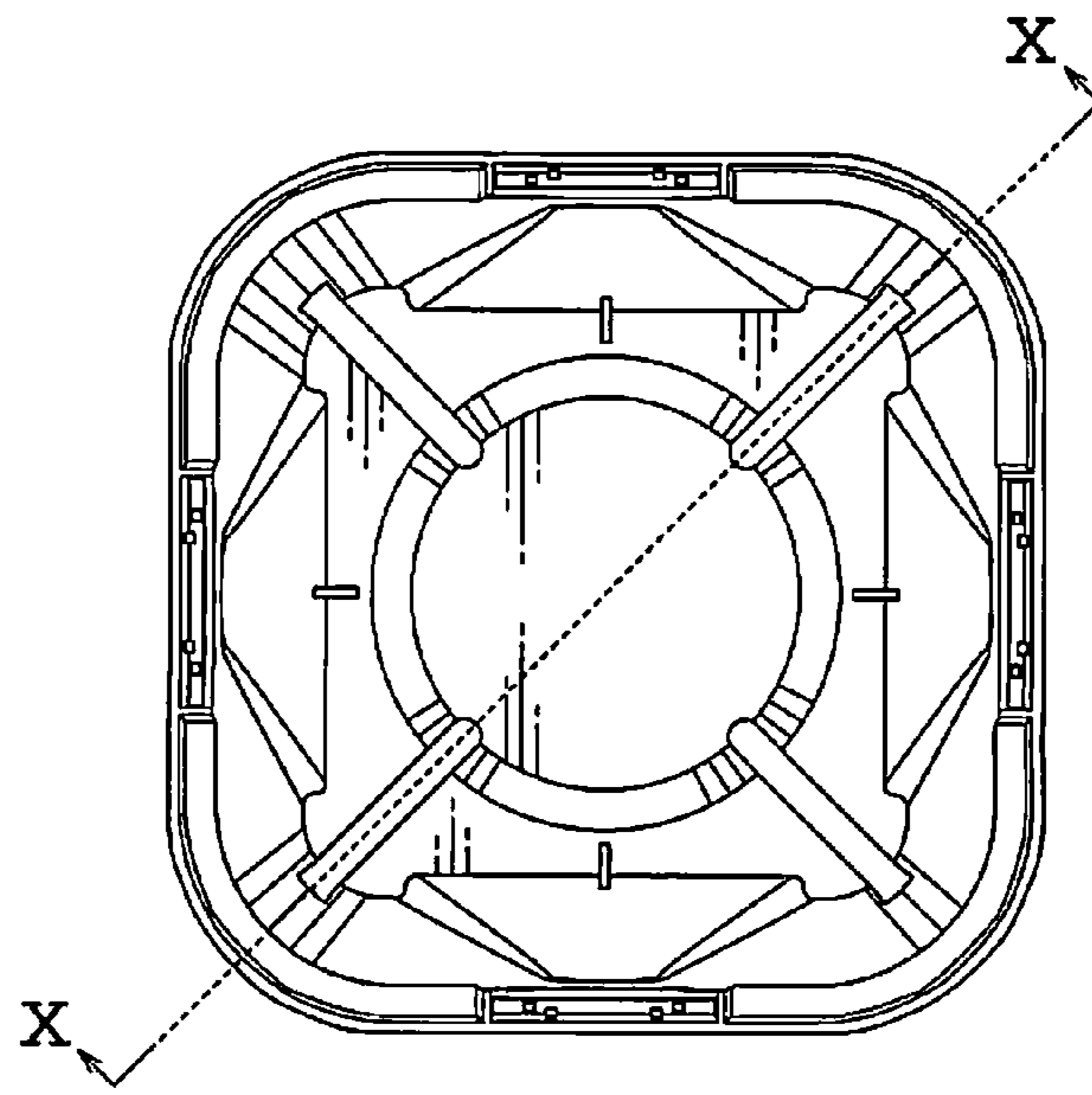


FIG. 5

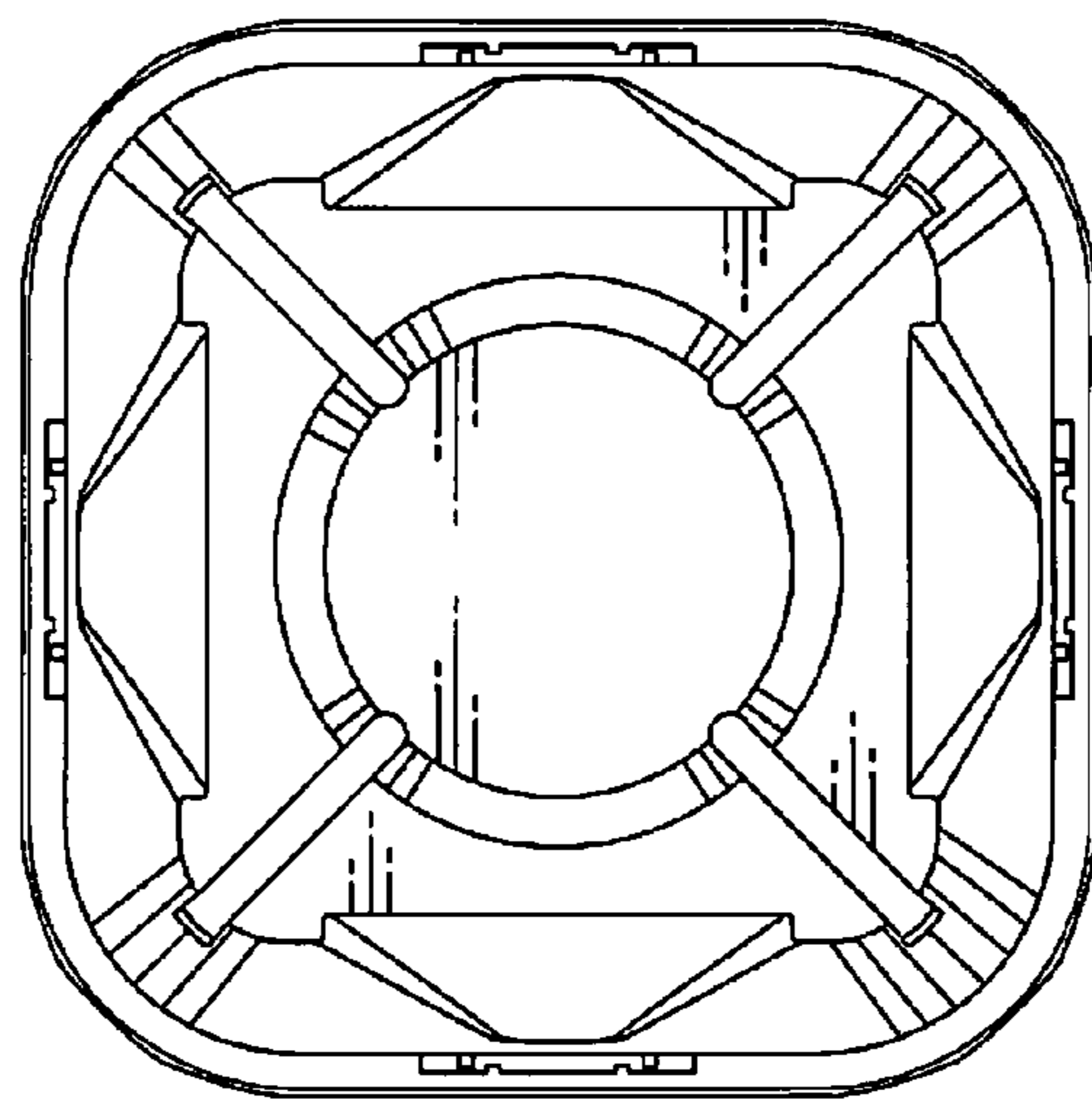


FIG. 6

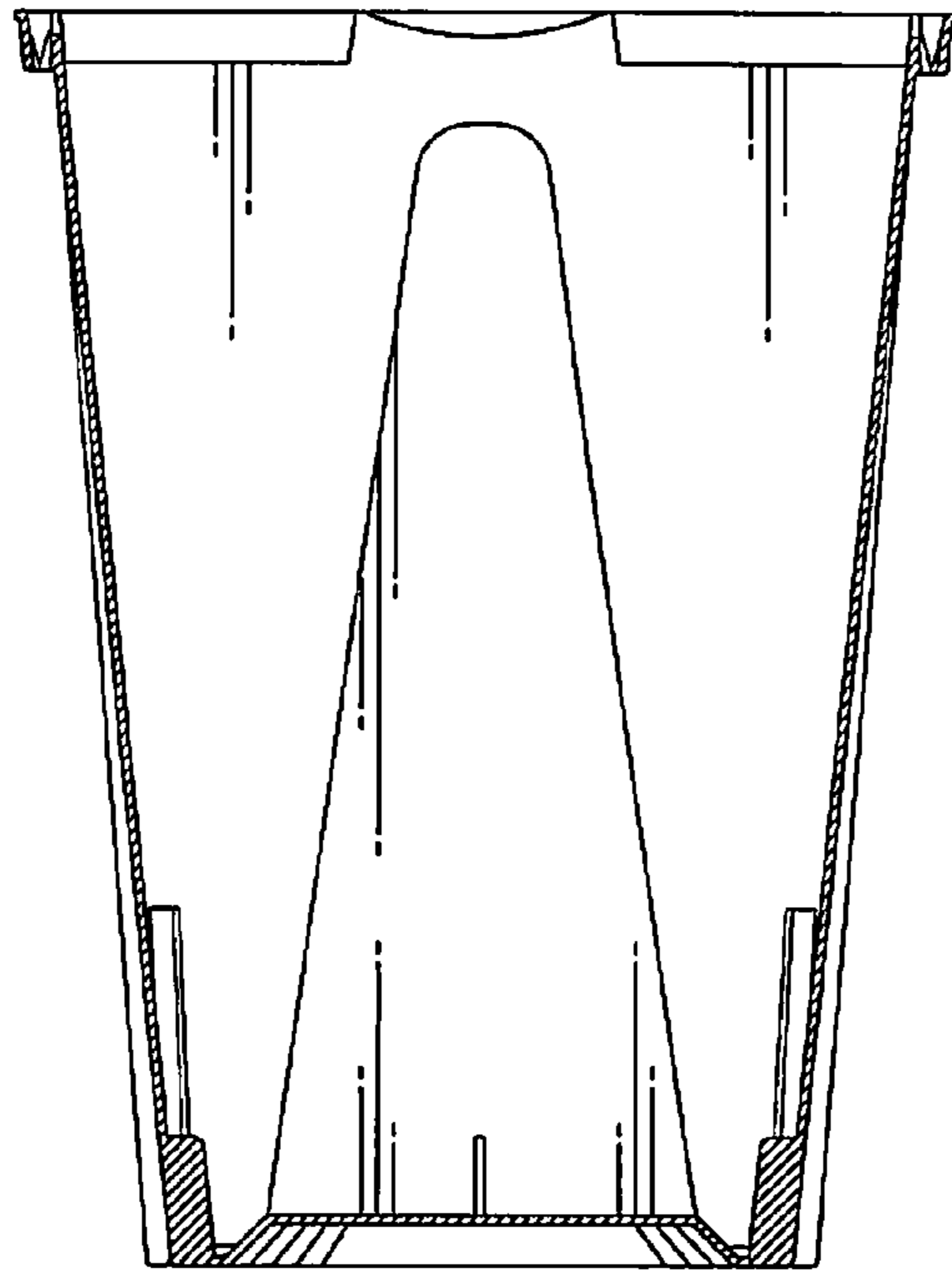


FIG. 7

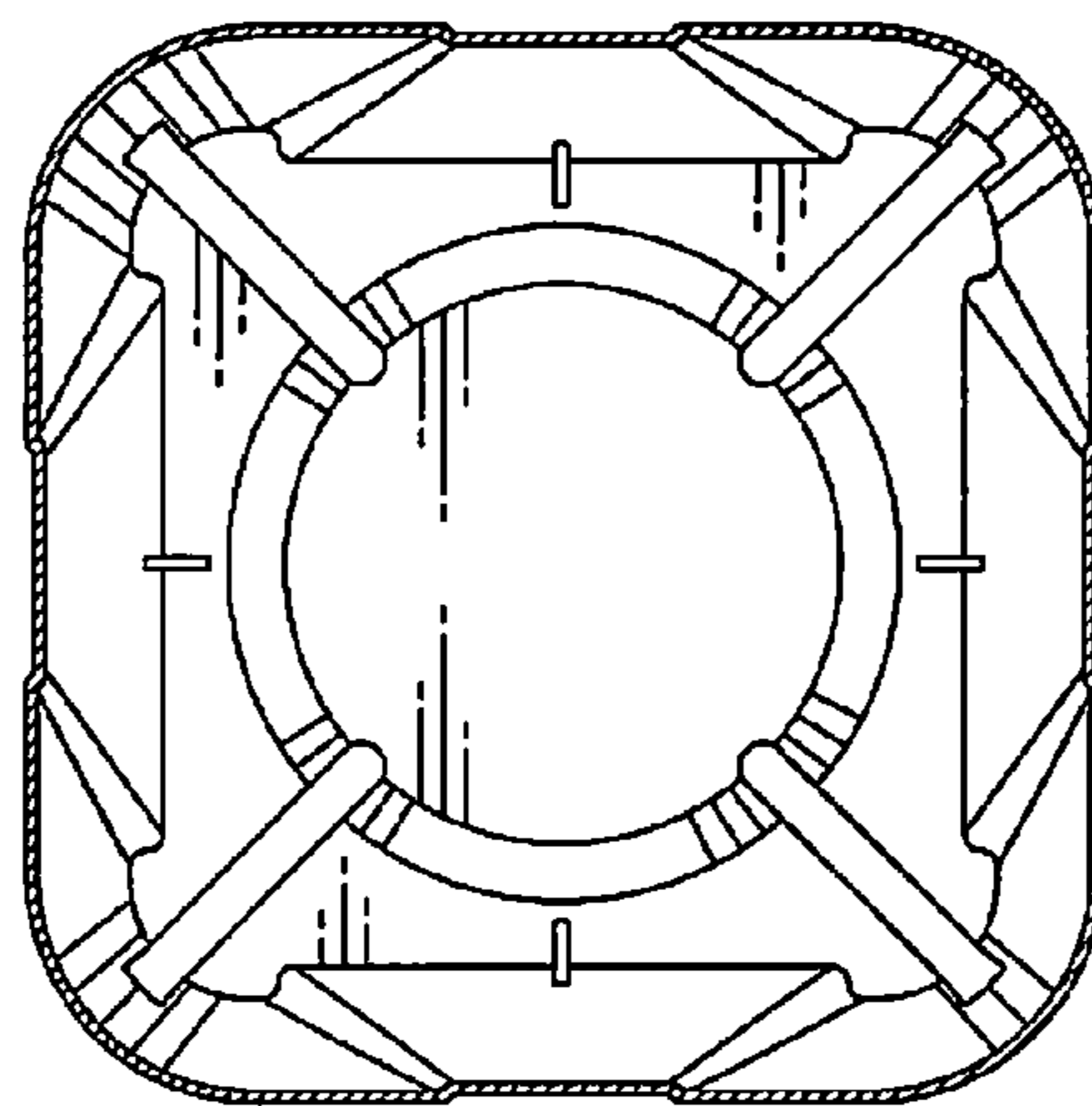


FIG. 8

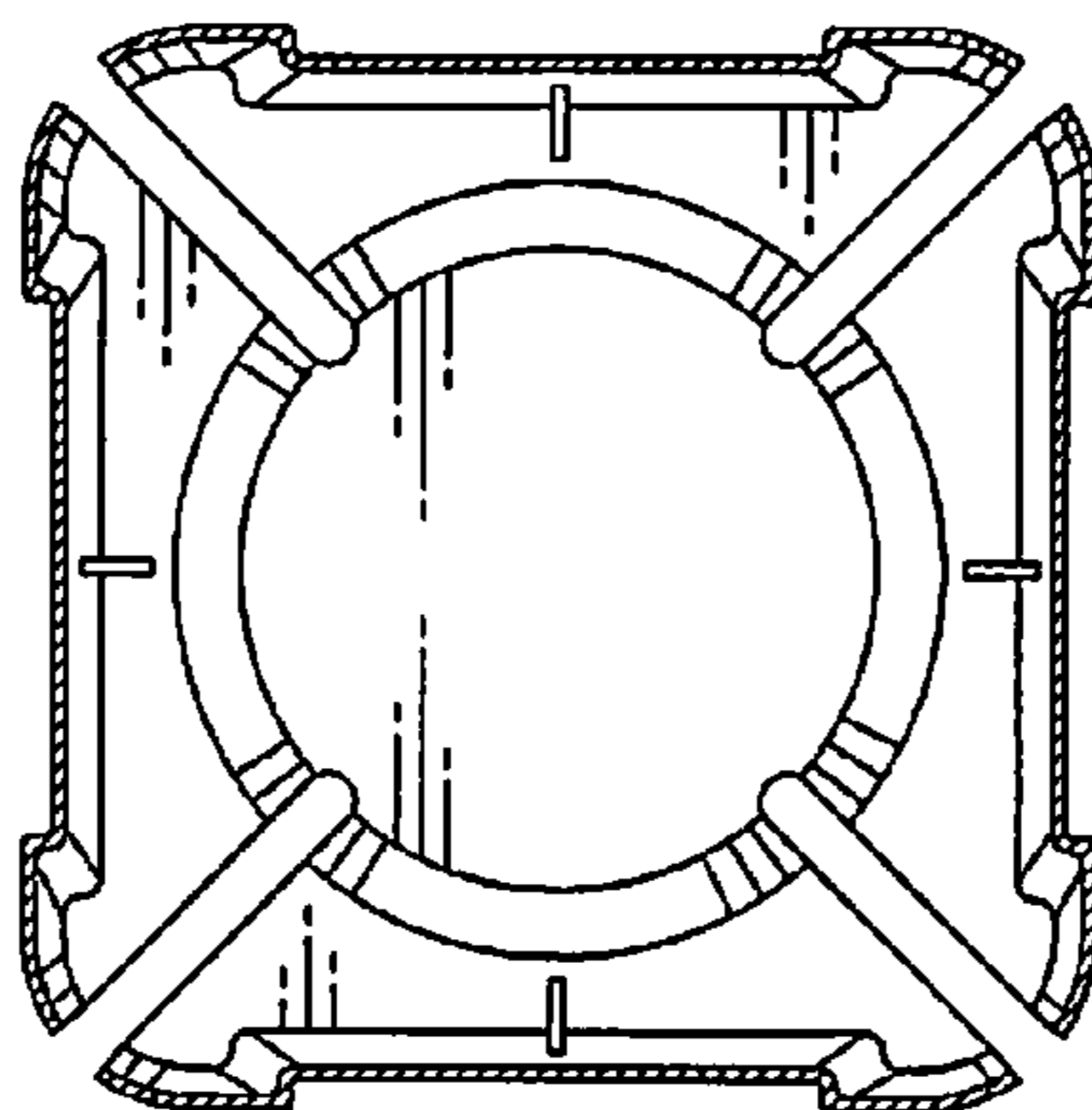


FIG. 9

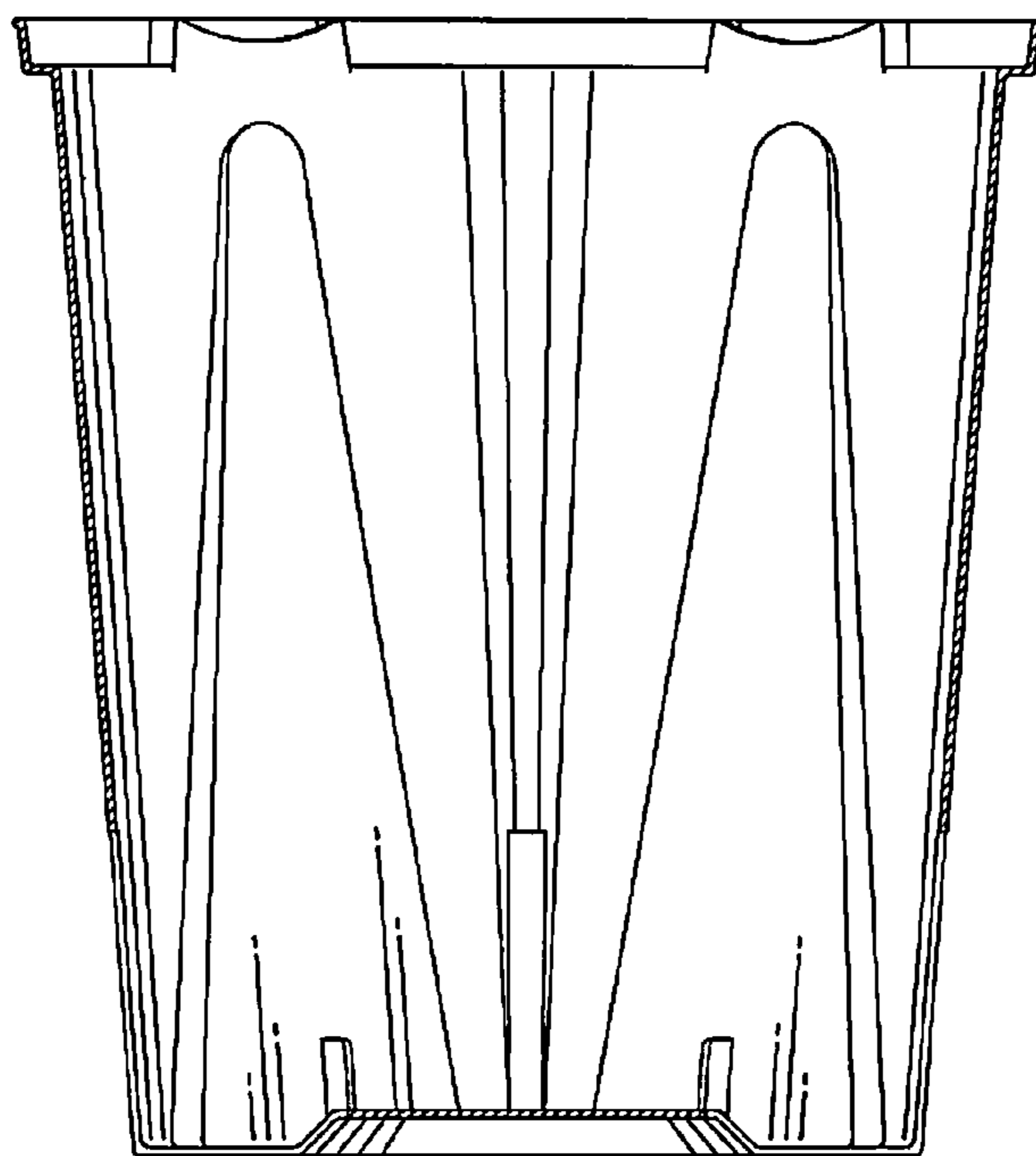


FIG. 10