



US00D726070S

(12) **United States Design Patent**
Fransson et al.

(10) **Patent No.:** **US D726,070 S**

(45) **Date of Patent:** **** Apr. 7, 2015**

- (54) **GREENHOUSE CONTAINER**
- (71) Applicant: **Nelson Garden AB**, Tingsryd (SE)
- (72) Inventors: **Ulf Fransson**, Tingryd (SE); **Markus Danielsson**, Urshult (SE)
- (73) Assignee: **Nelson Garden AB** (SE)

4,998,378 A	3/1991	Spencer	
5,426,887 A	6/1995	Spencer et al.	
6,581,329 B1	6/2003	Eriksson	
D545,500 S *	6/2007	McCambridge	D28/74
D561,425 S *	2/2008	Mikkelsen	D99/34
D624,846 S *	10/2010	Schick	D11/156
D666,419 S *	9/2012	Riedesel et al.	D3/313
D673,074 S *	12/2012	Zhao	D11/156
2012/0137581 A1 *	6/2012	Teasdale	47/66.6

(**) Term: **14 Years**

(21) Appl. No.: **29/477,581**

(22) Filed: **Dec. 23, 2013**

(30) **Foreign Application Priority Data**

Jun. 27, 2013 (EM) 002263798

(51) **LOC (10) Cl.** **11-02**

(52) **U.S. Cl.**
USPC **D11/143**

(58) **Field of Classification Search**
CPC A01G 9/02; A01G 9/022; A01G 9/04;
A01G 9/042; A01G 9/045; A01G 9/10;
A47G 7/045; A47G 7/047
USPC D3/304, 315, 310-313; D6/403, 404,
D6/405; D9/418, 519, 537, 545, 549;
D11/143-156; D26/55; 47/17, 39,
47/41.01, 65.5, 65.7, 65.9, 66.6, 66.7, 77,
47/86; D7/509-532; D24/224

See application file for complete search history.

(56) **References Cited**

U.S. PATENT DOCUMENTS

D198,591 S *	7/1964	Brocken	D3/311
3,447,261 A	6/1969	Hundt et al.	
3,557,489 A *	1/1971	Ferrand	47/87
3,868,054 A *	2/1975	Congleton	206/521.1
3,986,299 A	10/1976	Merzweiler	
3,992,810 A	11/1976	Kimball	
4,006,558 A	2/1977	Neddo et al.	
RE29,248 E *	6/1977	Congleton	47/77
4,057,932 A	11/1977	Spencer	

FOREIGN PATENT DOCUMENTS

GB	1511256 A	5/1978
GB	1569200 A	6/1980
WO	00/18215 A1	4/2000

* cited by examiner

Primary Examiner — Elizabeth Albert

(74) *Attorney, Agent, or Firm* — Knobbe, Martens, Olson & Bear LLP

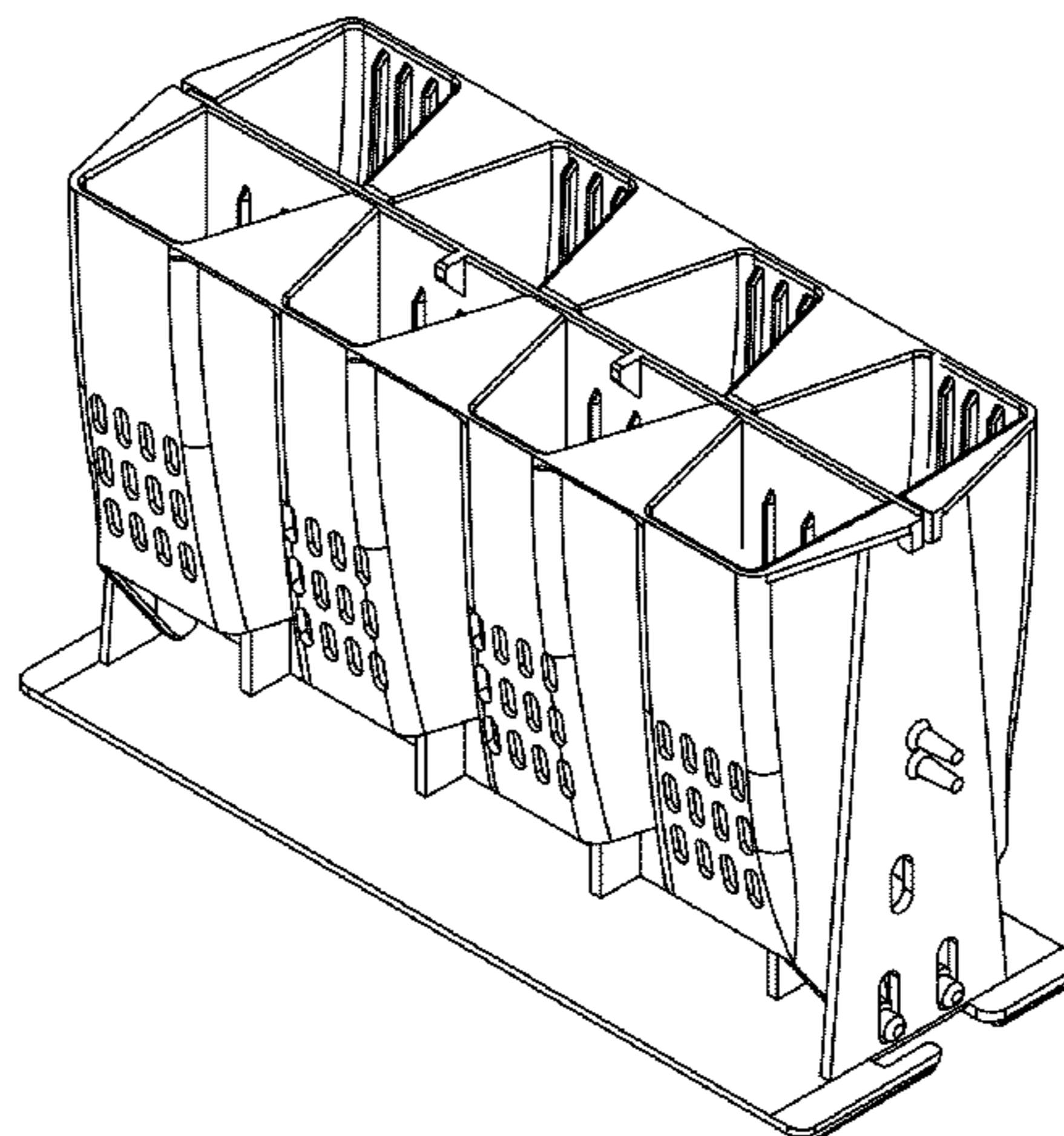
(57) **CLAIM**

The ornamental design for a greenhouse container, as shown and described.

DESCRIPTION

FIG. 1 is a perspective view of a greenhouse container showing our new design in closed position.
 FIG. 2 is a front elevational view thereof.
 FIG. 3 is a right side elevational view thereof.
 FIG. 4 is a rear elevational view thereof.
 FIG. 5 is a left side elevational view thereof.
 FIG. 6 is a top plan view thereof.
 FIG. 7 is a bottom plan view thereof.
 FIG. 8 is a perspective view of a greenhouse container in an open position.
 FIG. 9 is a front elevational view thereof.
 FIG. 10 is a right side elevational view thereof.
 FIG. 11 is a rear elevational view thereof.
 FIG. 12 is a left side elevational view thereof.
 FIG. 13 is a top plan view thereof; and,
 FIG. 14 is a bottom view thereof.

1 Claim, 14 Drawing Sheets



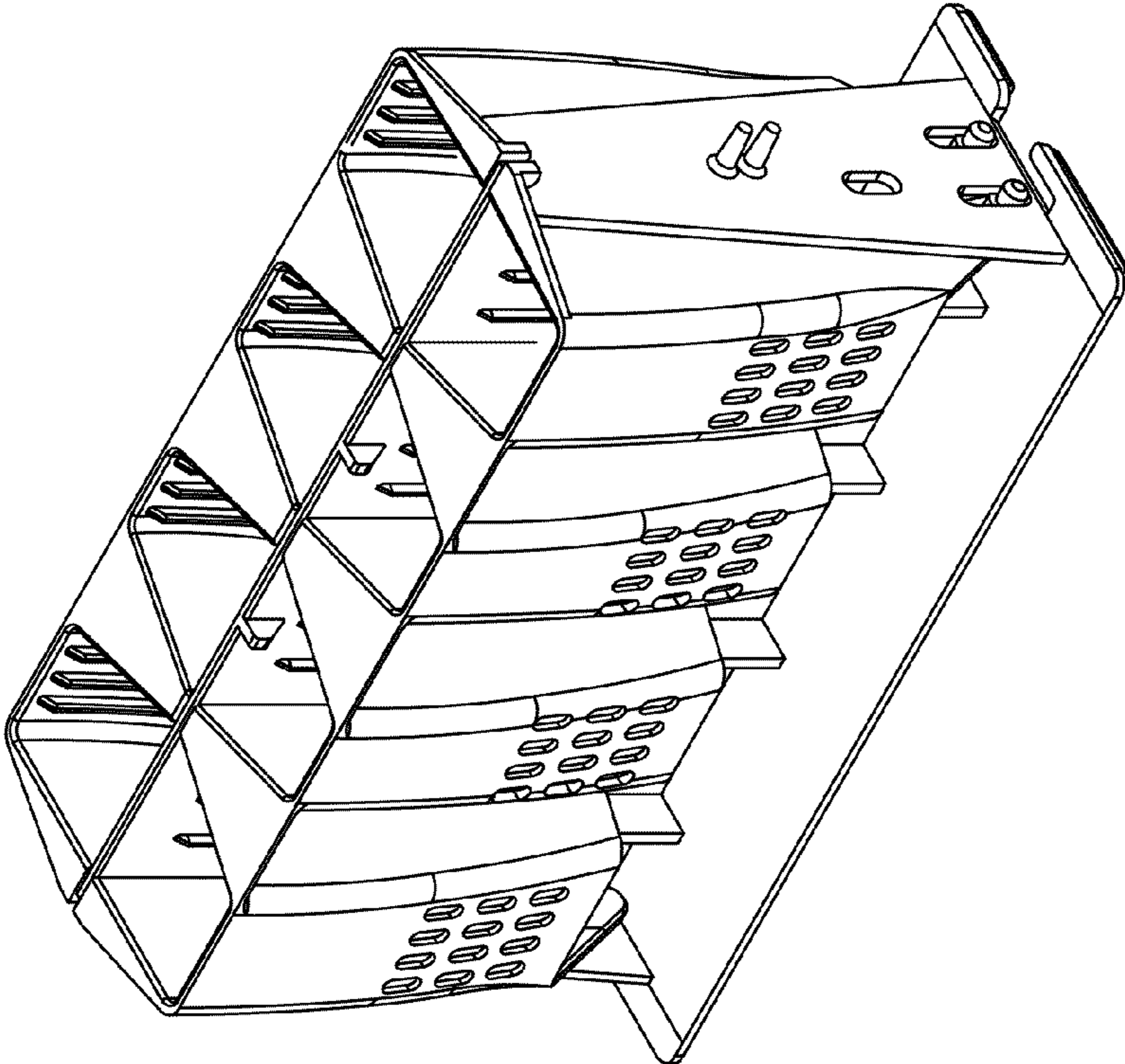


FIG. 1

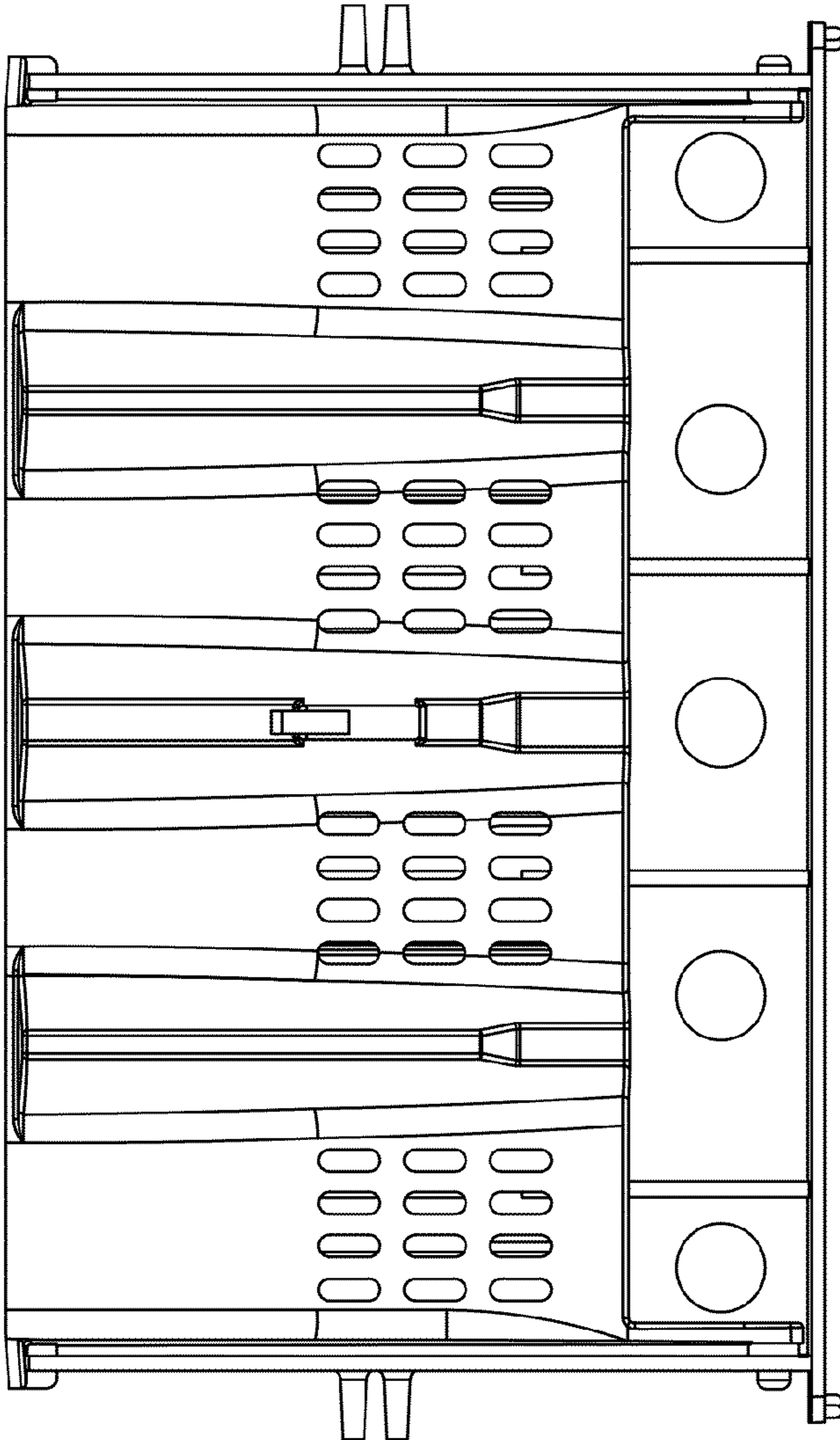


FIG. 2

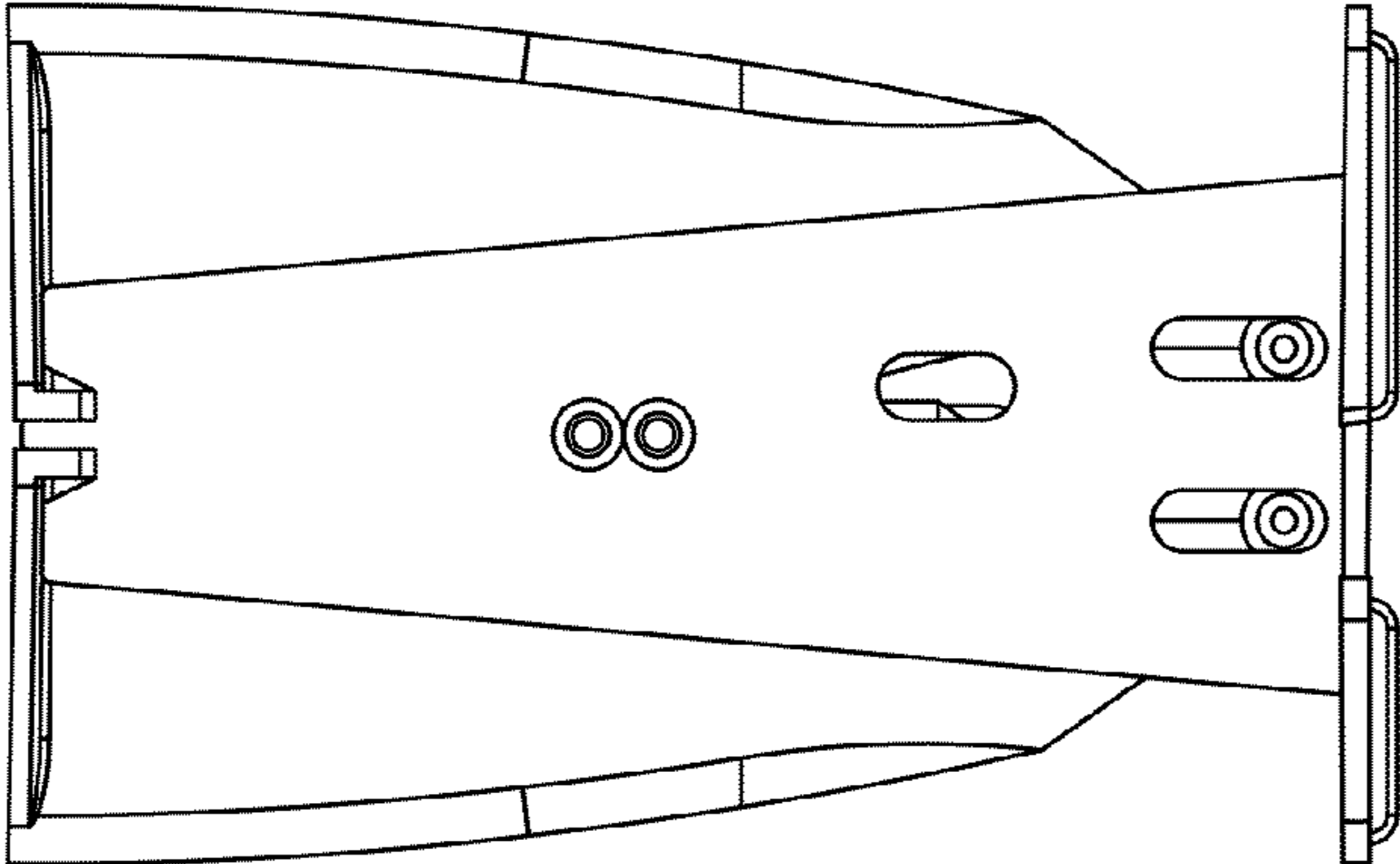


FIG. 3

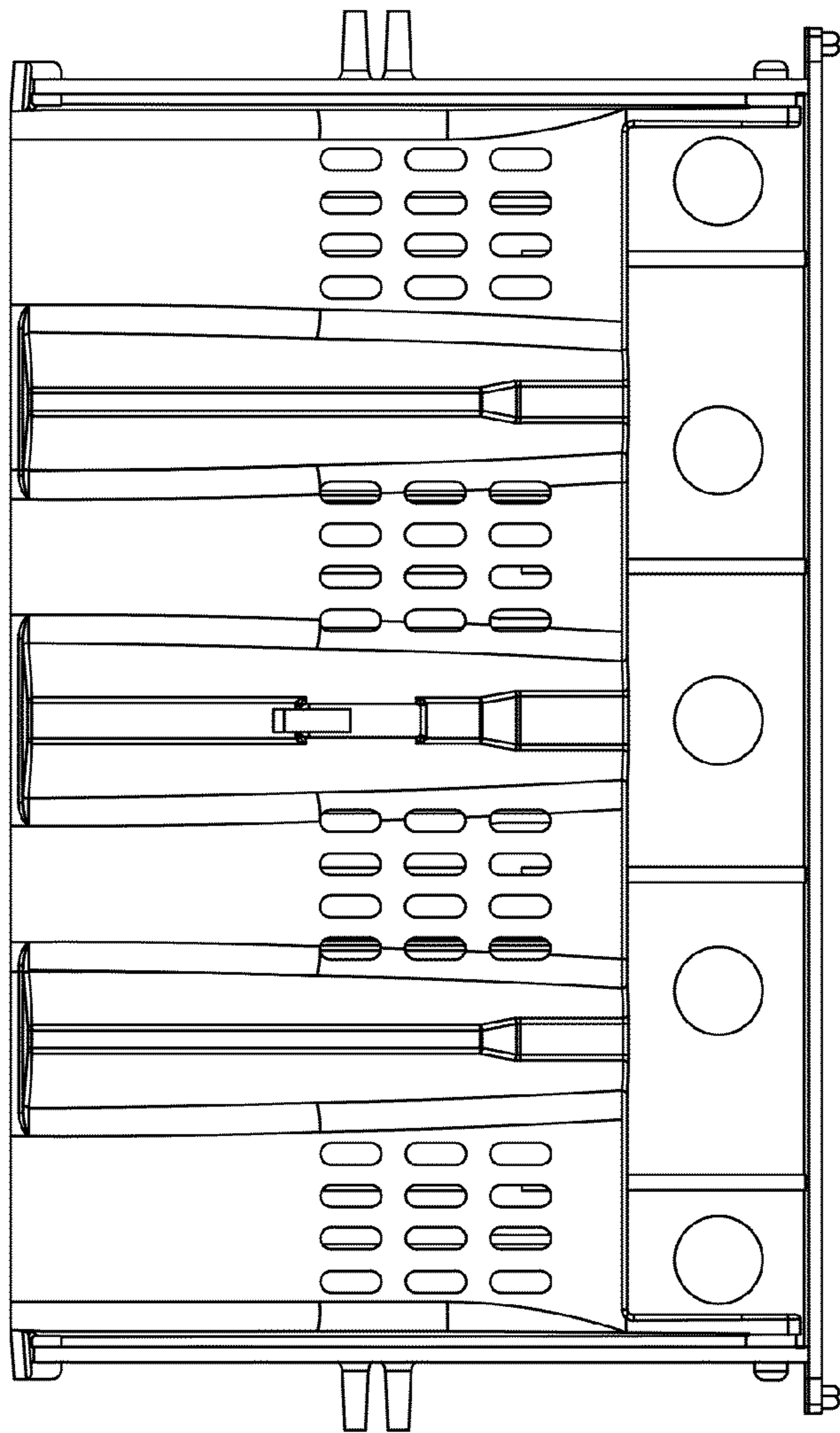


FIG. 4

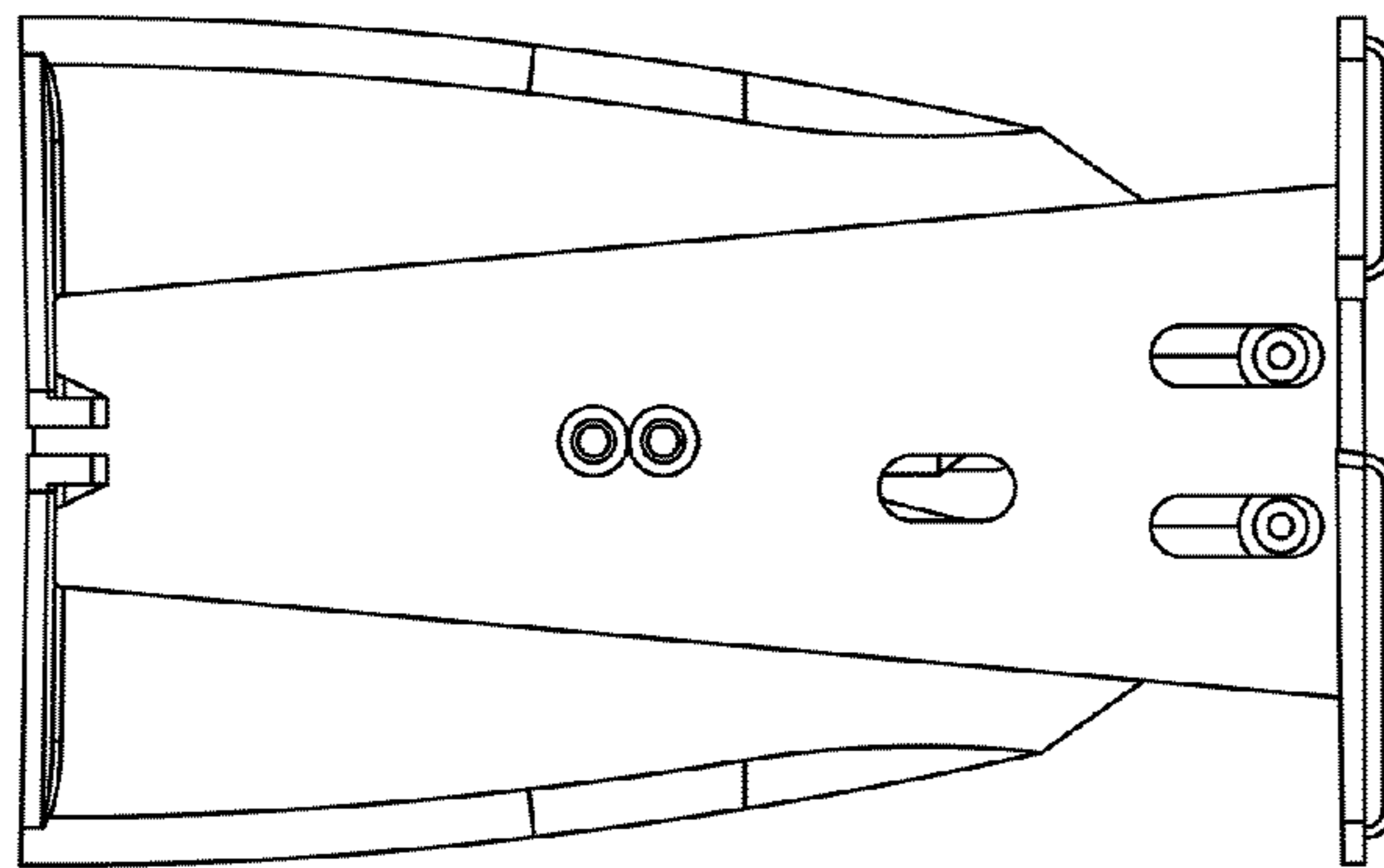


FIG. 5

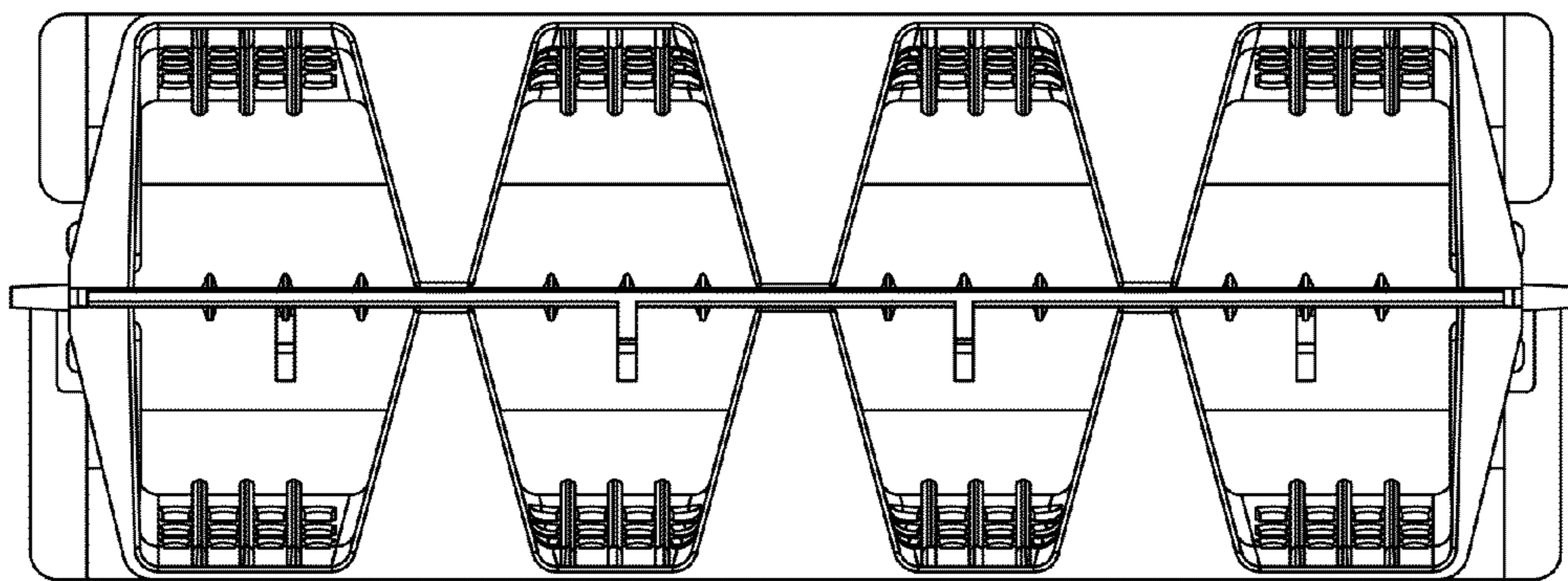


FIG. 6



FIG. 7

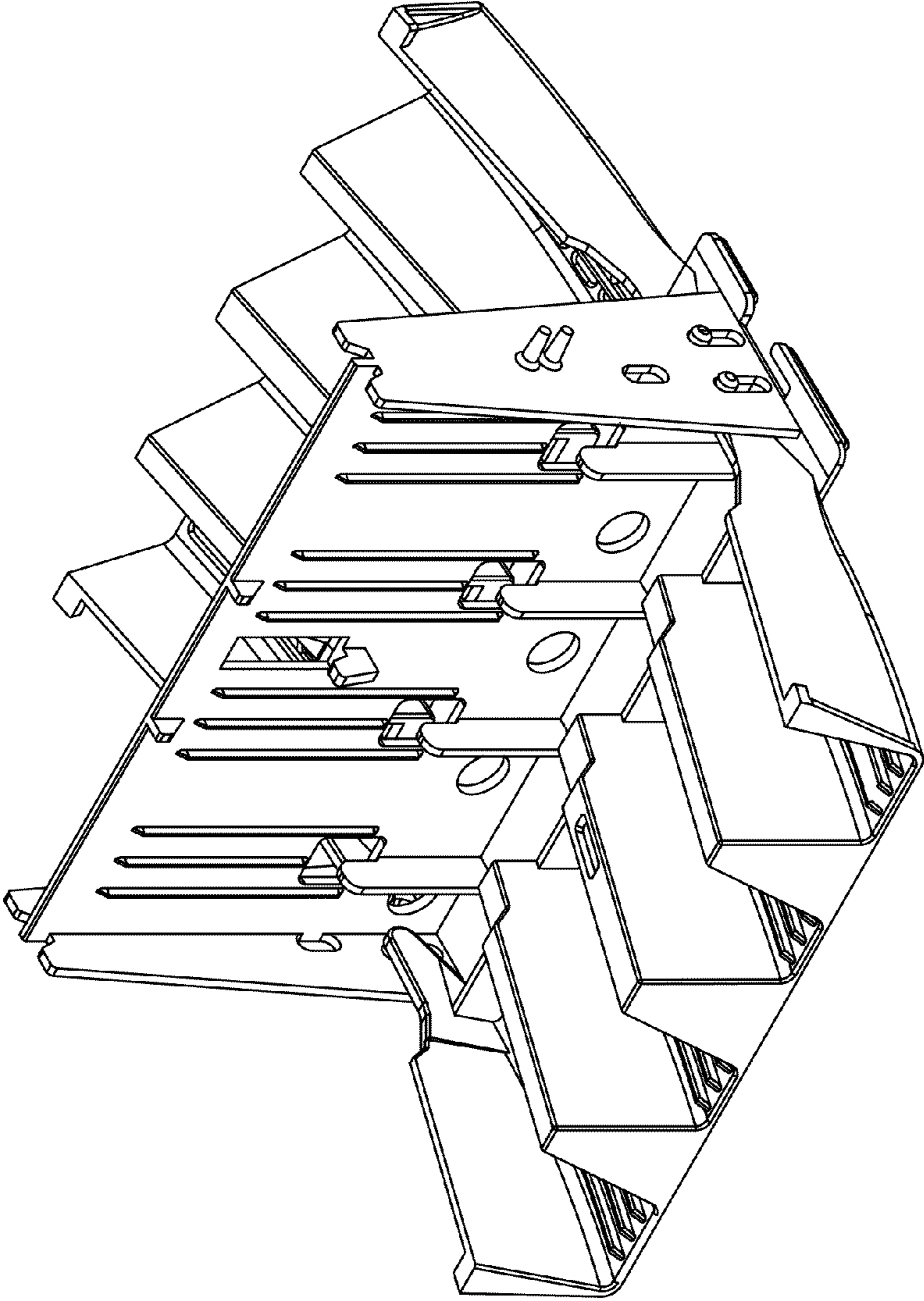


FIG. 8

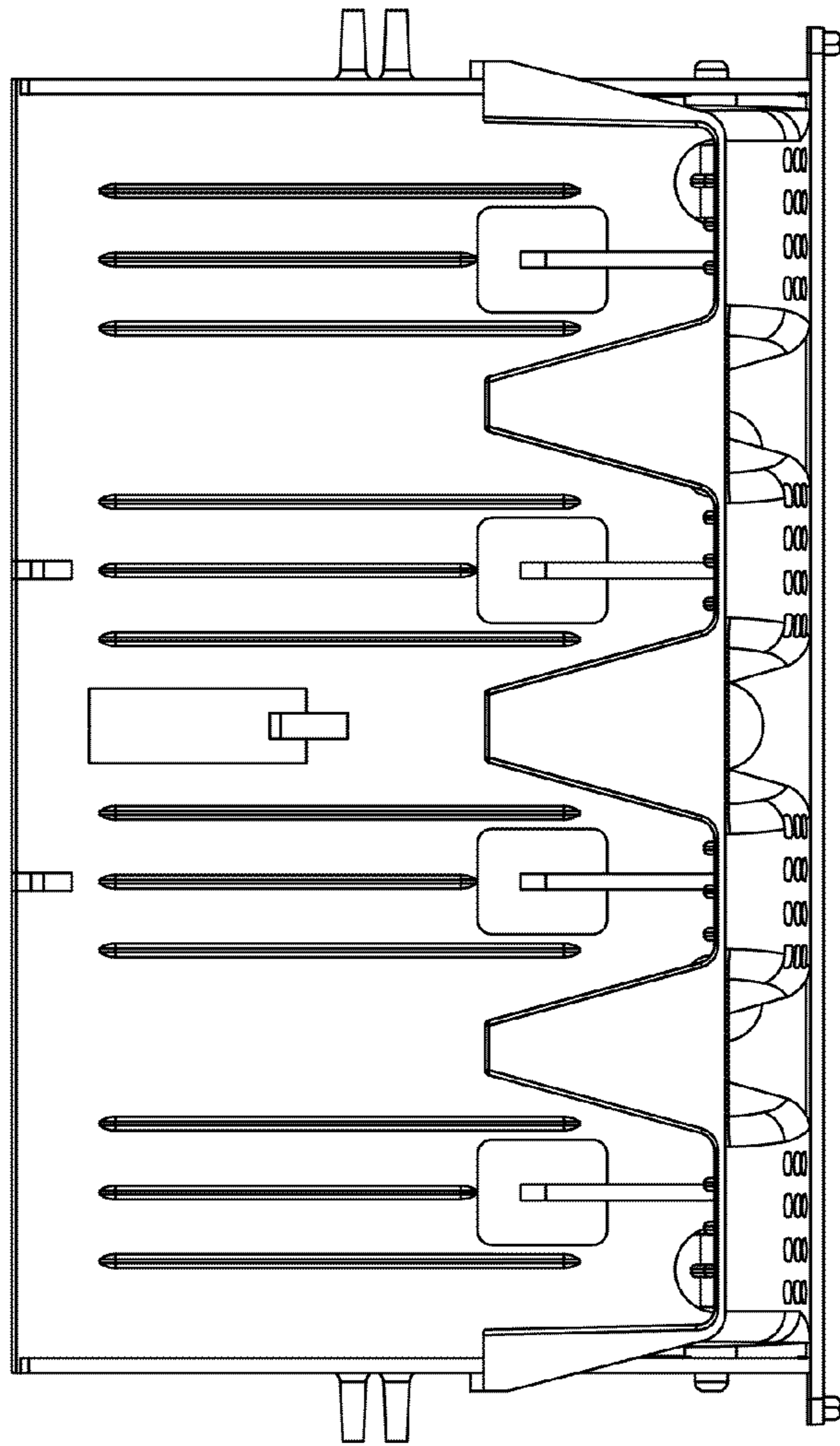


FIG. 9

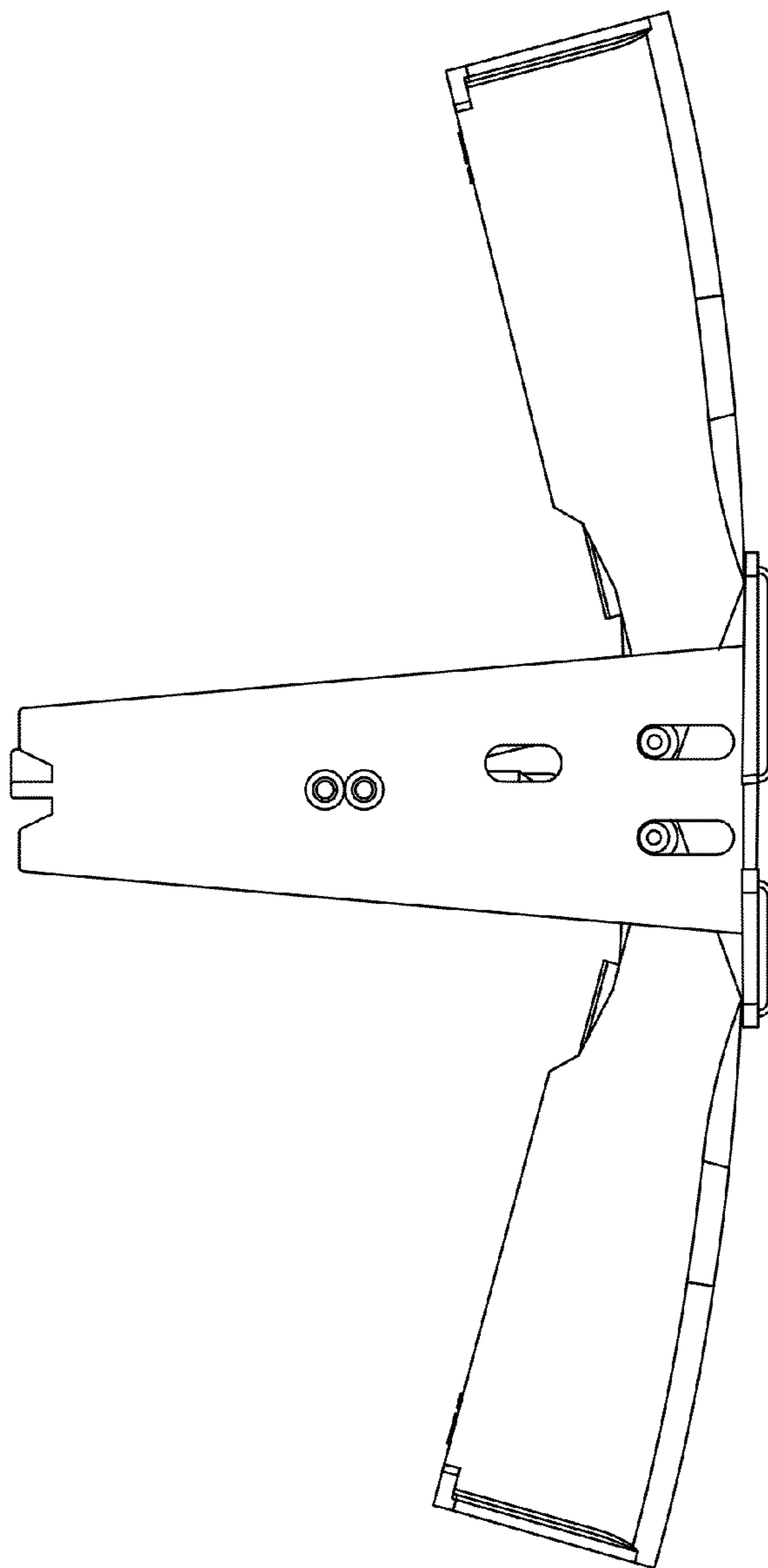


FIG. 10

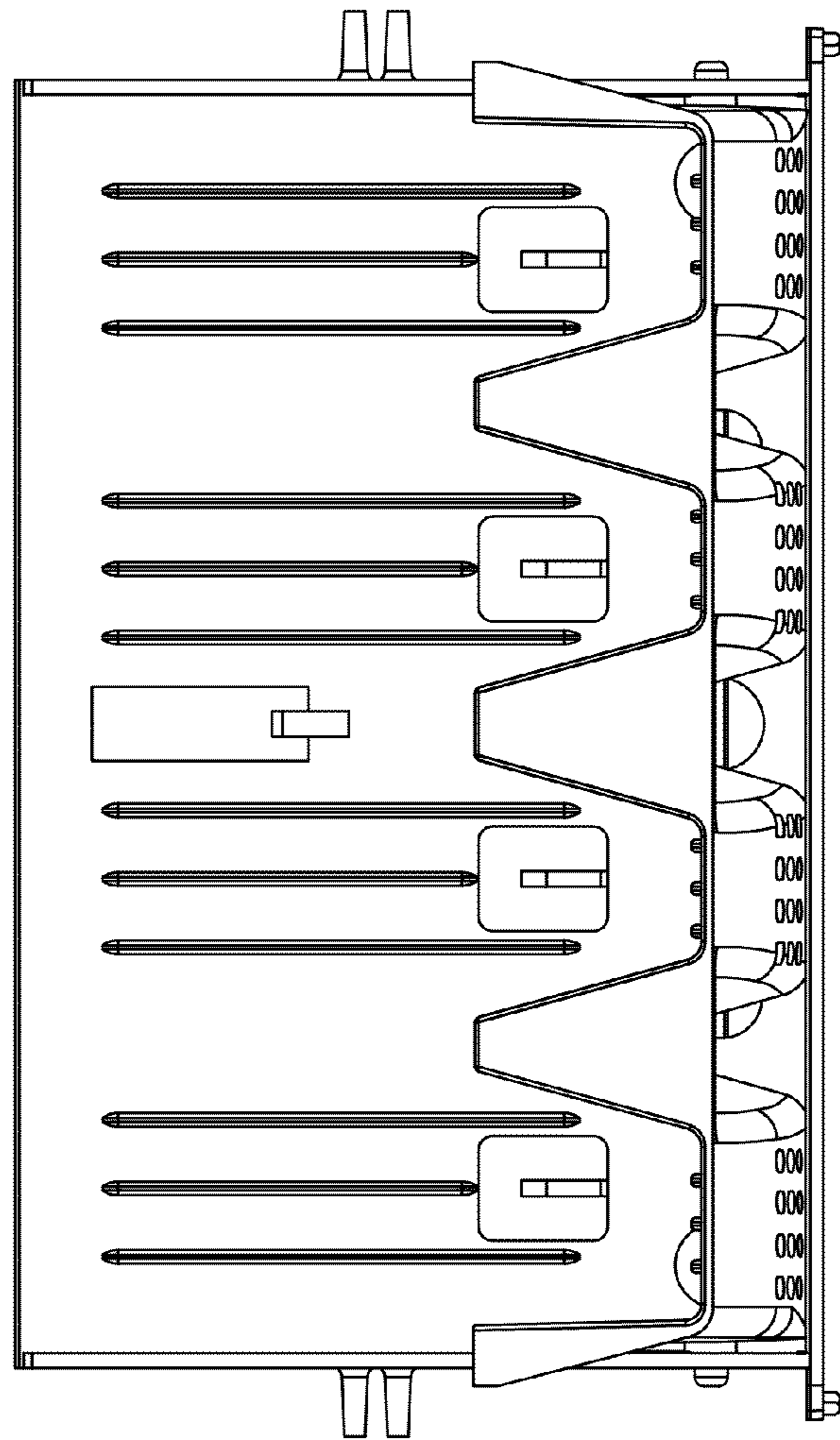


FIG. 11

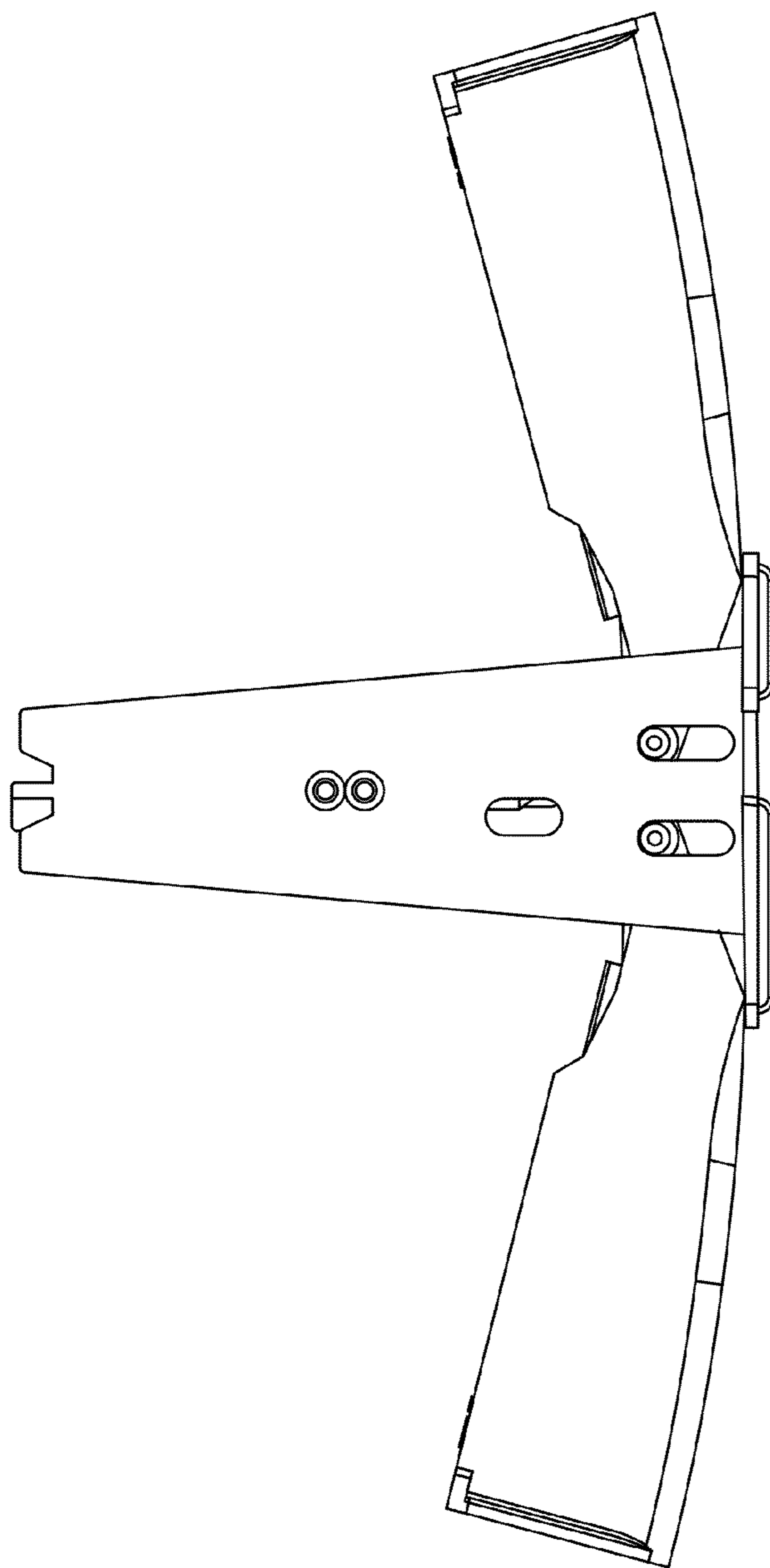


FIG. 12

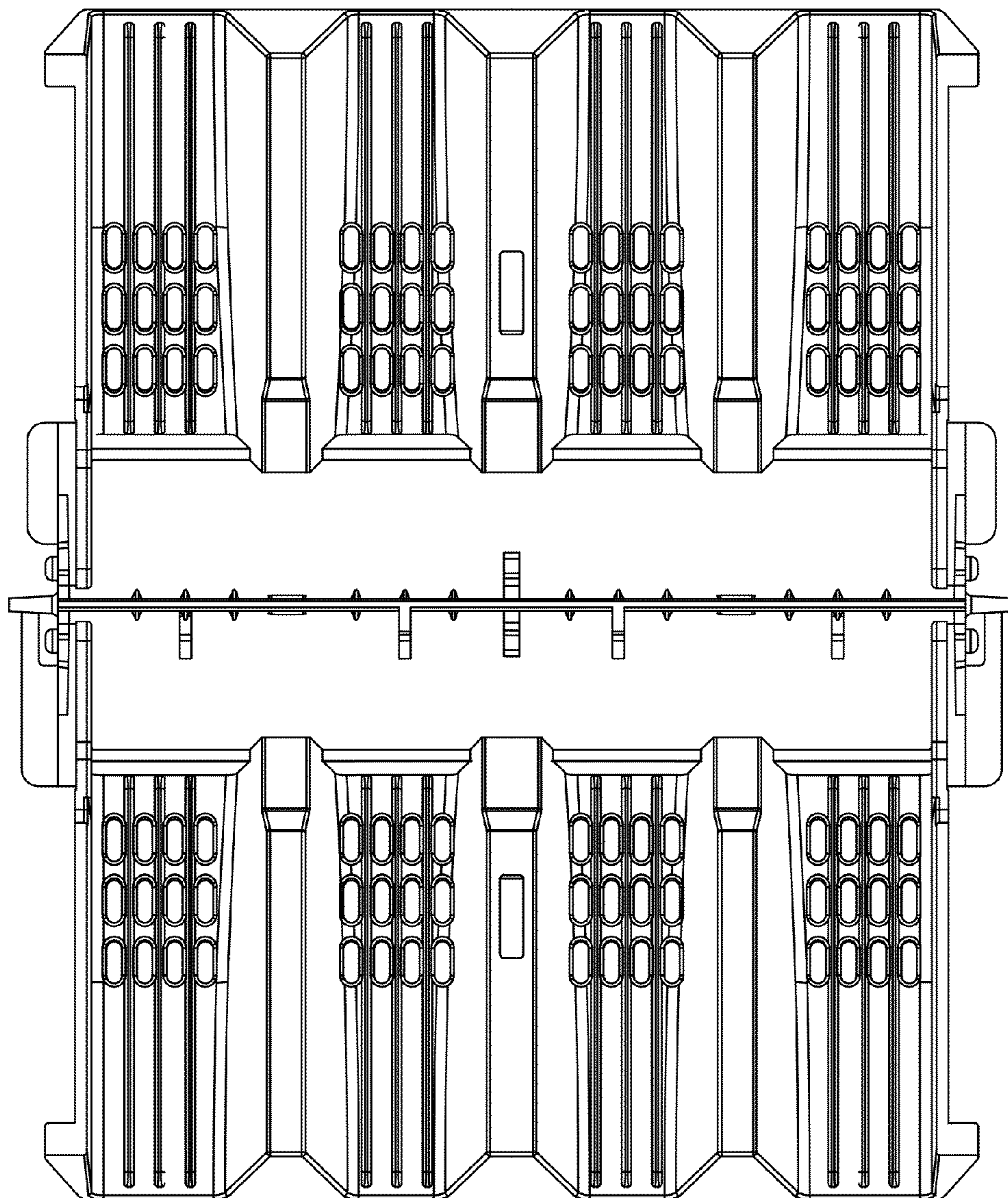


FIG. 13

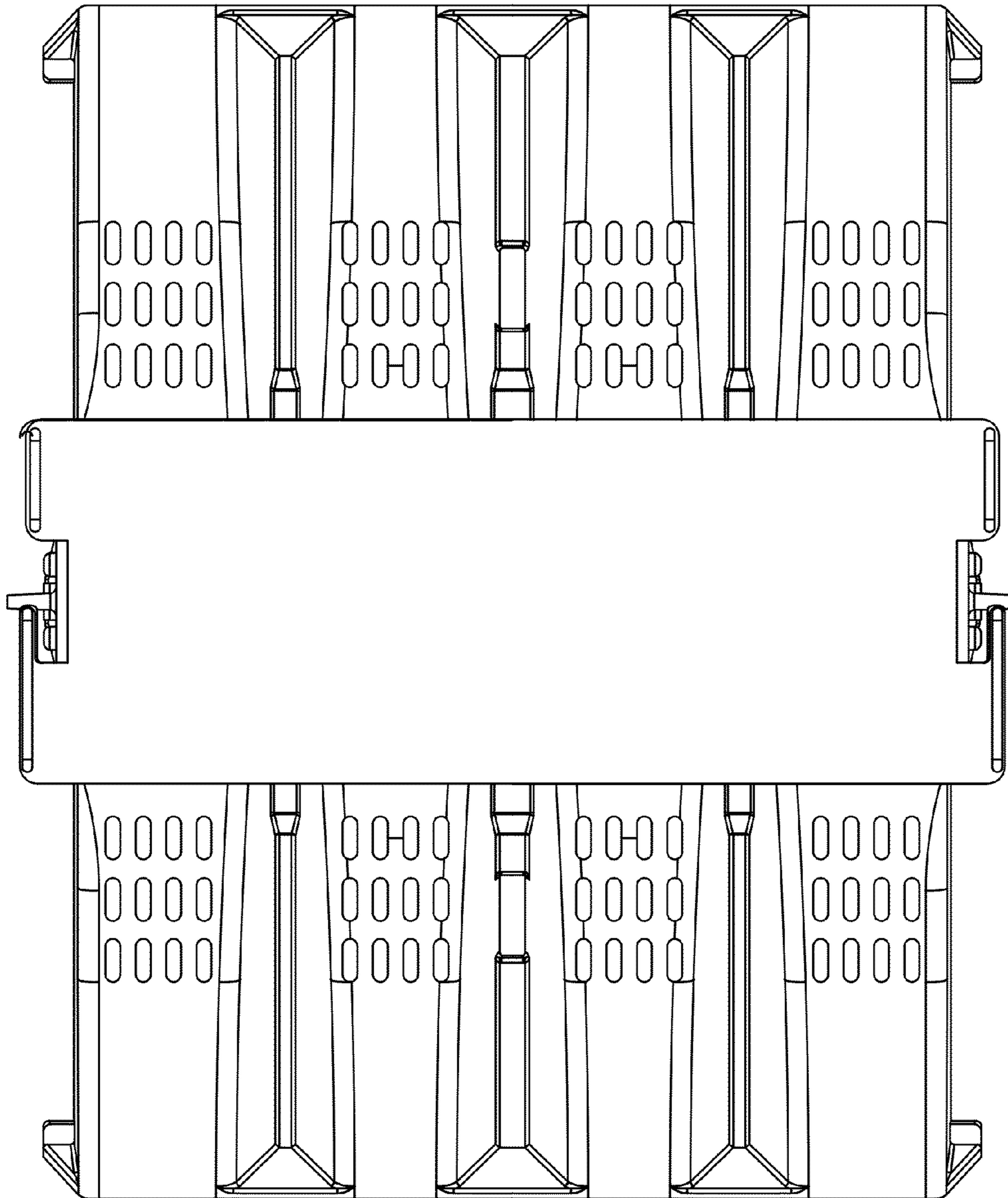


FIG. 14