



US00D726069S

(12) **United States Design Patent**
Garibovic

(10) **Patent No.:** **US D726,069 S**

(45) **Date of Patent:** **** Apr. 7, 2015**

(54) **CONSTRUCTION BLOCK PLANTER BOX**

(71) Applicant: **Edin Garibovic**, Houston, TX (US)

(72) Inventor: **Edin Garibovic**, Houston, TX (US)

(**) Term: **14 Years**

(21) Appl. No.: **29/459,271**

(22) Filed: **Jun. 27, 2013**

Related U.S. Application Data

(62) Division of application No. 29/420,550, filed on May 10, 2012, now Pat. No. Des. 687,344.

(51) **LOC (10) Cl.** **11-02**

(52) **U.S. Cl.**
USPC **D11/143; D25/116**

(58) **Field of Classification Search**
USPC D6/403–405, 556–559, 570;
D11/143–156, 164; D19/77, 80, 81,
D19/84; D25/15, 100, 105, 113, 116;
D26/9, 10, 11, 16, 19; D34/1, 2, 4–6;
47/17, 32.4, 32.5, 32.7, 33, 39, 41.01,
47/41.1, 41.11–41.15, 44–47, 63, 65.5,
47/65.9, 66.6, 66.7, 67–71

See application file for complete search history.

(56) **References Cited**

U.S. PATENT DOCUMENTS

2,633,278	A	3/1953	Muniz	
3,384,260	A	5/1968	Buffington	
4,658,541	A	4/1987	Haile	
D310,267	S *	8/1990	Zeidman	D25/113
D311,444	S *	10/1990	Forsberg	D25/113
5,072,566	A *	12/1991	Zeidman	52/608
D343,509	S	1/1994	Scott, Jr. et al.	
D346,726	S	5/1994	Scott, Jr. et al.	
D355,791	S	2/1995	Briley	
D687,344	S *	8/2013	Garibovic	D11/143
2009/0173000	A1	7/2009	Rand et al.	

* cited by examiner

Primary Examiner — Robert M Spear

Assistant Examiner — Marissa J Cash

(74) *Attorney, Agent, or Firm* — Charles S. Knobloch;
Arnold, Knobloch & Saunders, L.L.P.

(57) **CLAIM**

I claim the ornamental design for a construction block planter box, as shown and described.

DESCRIPTION

FIG. 1 is a perspective view of a first embodiment of the construction block planter box.

FIG. 2 is a top view of a first embodiment of the construction block planter box.

FIG. 3 is a bottom view of a first embodiment of the construction block planter box.

FIG. 4 is a side view of a first embodiment of the construction block planter box.

FIG. 5 is a rear-side view of a first embodiment of the construction block planter box.

FIG. 6 is a front-side view of a first embodiment of the construction block planter box.

FIG. 7 is a top view of a first embodiment of the construction block planter box with environment illustrated.

FIG. 8 is a perspective view of a first embodiment of the construction block planter box with environment illustrated.

FIG. 9 is a perspective view of a second embodiment of the construction block planter box.

FIG. 10 is a top view of a second embodiment of the construction block planter box.

FIG. 11 is a bottom view of a second embodiment of the construction block planter box.

FIG. 12 is a side view of a second embodiment of the construction block planter box.

FIG. 13 is a rear-side view of a second embodiment of the construction block planter box.

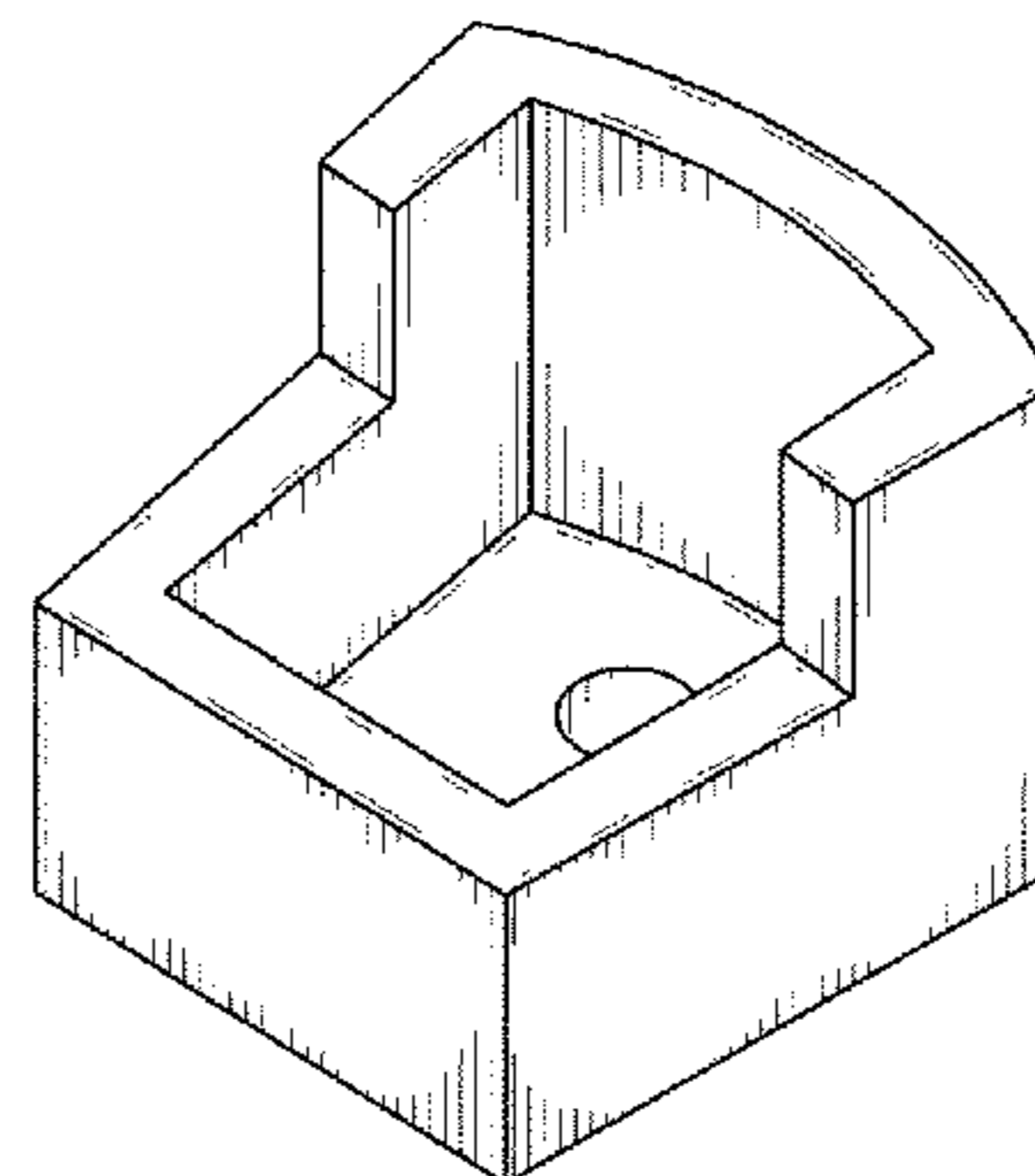
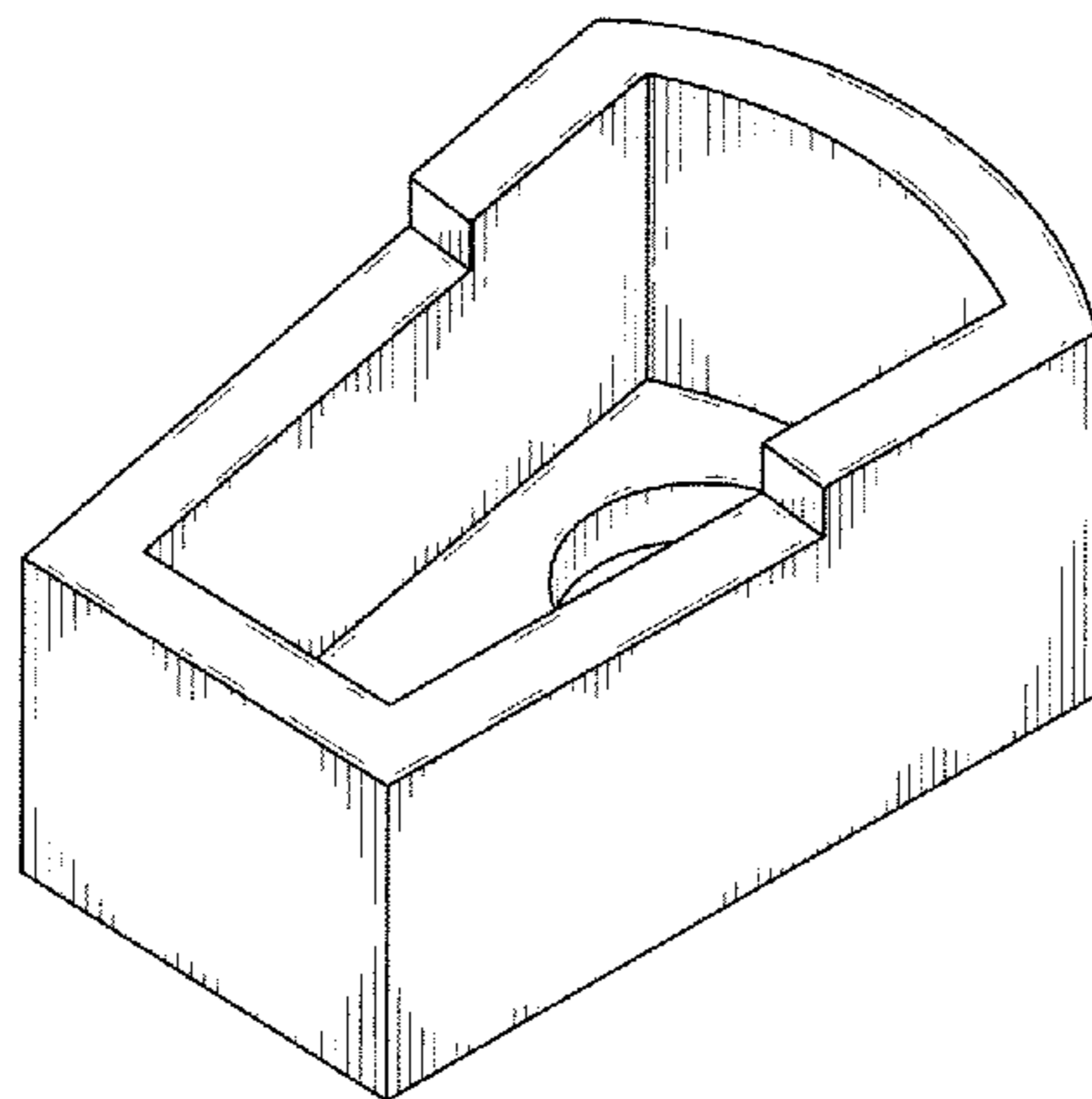
FIG. 14 is a front-side view of a second embodiment of the construction block planter box.

FIG. 15 is a top view of a second embodiment of the construction block planter box with environment illustrated; and,

FIG. 16 is a perspective view of a second embodiment of the construction block planter box with environment illustrated.

The broken lines in the drawing figures illustrate environmental subject matter only and form no part of the claimed design.

1 Claim, 7 Drawing Sheets



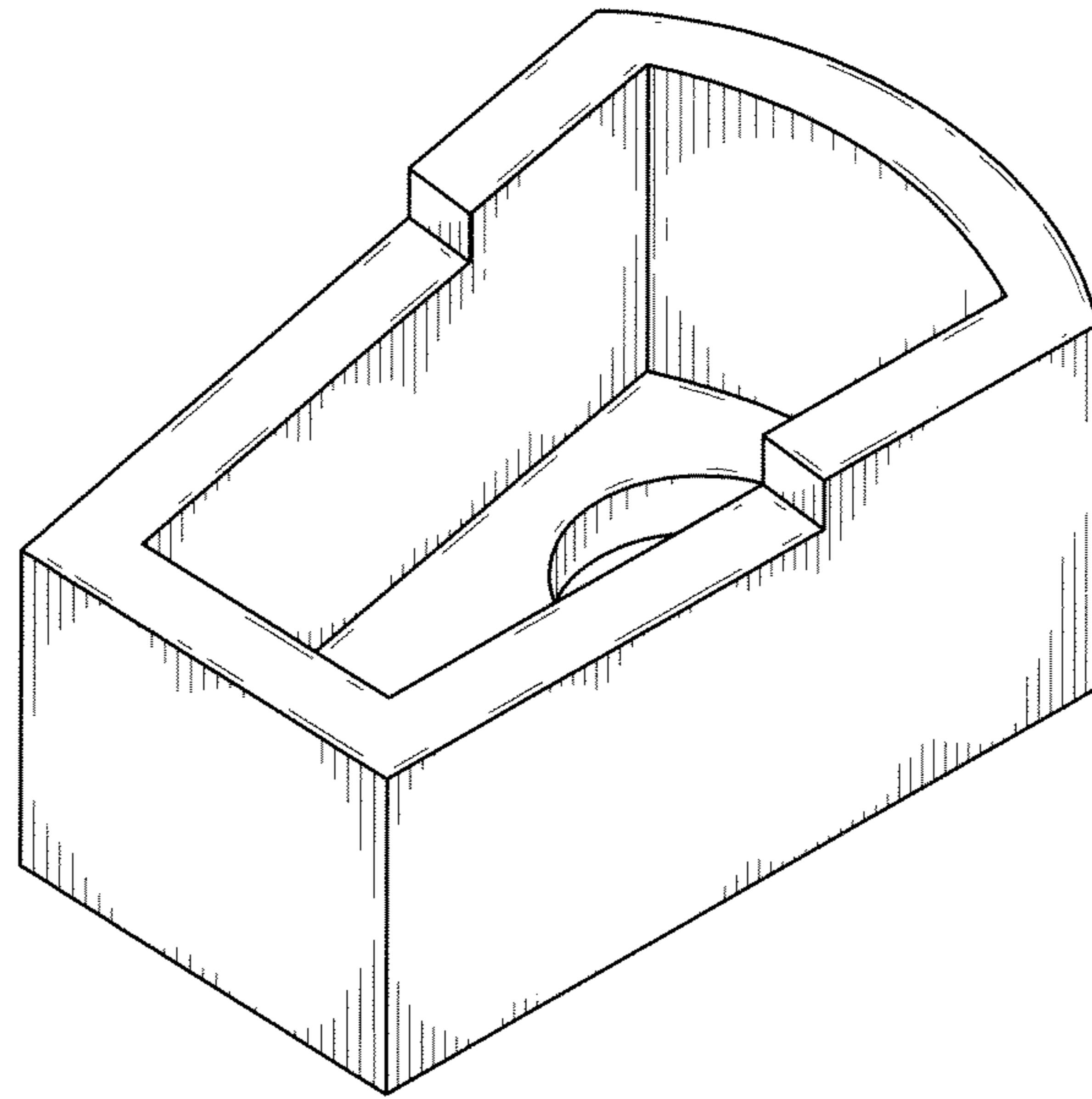


FIG. 1

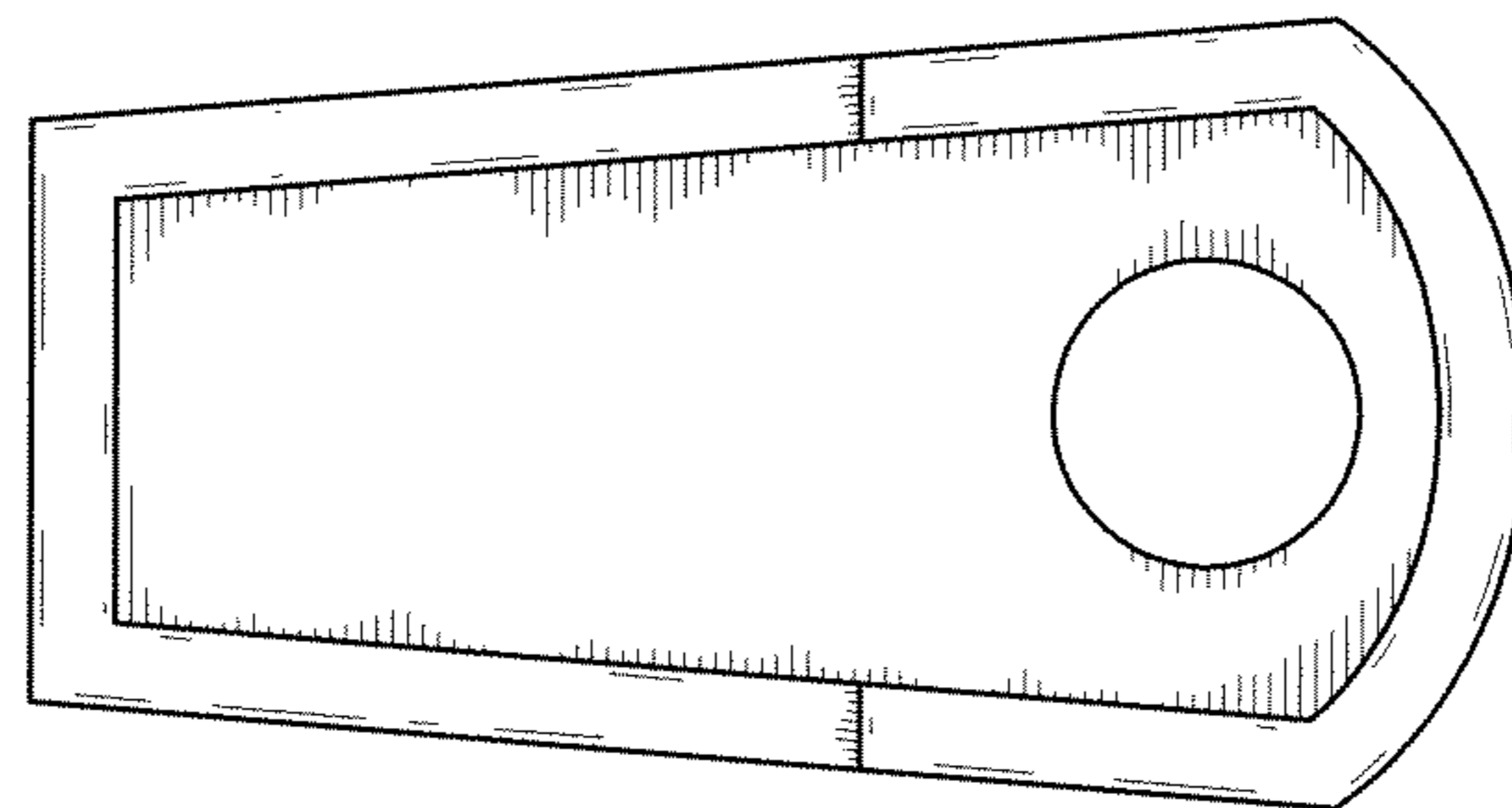


FIG. 2

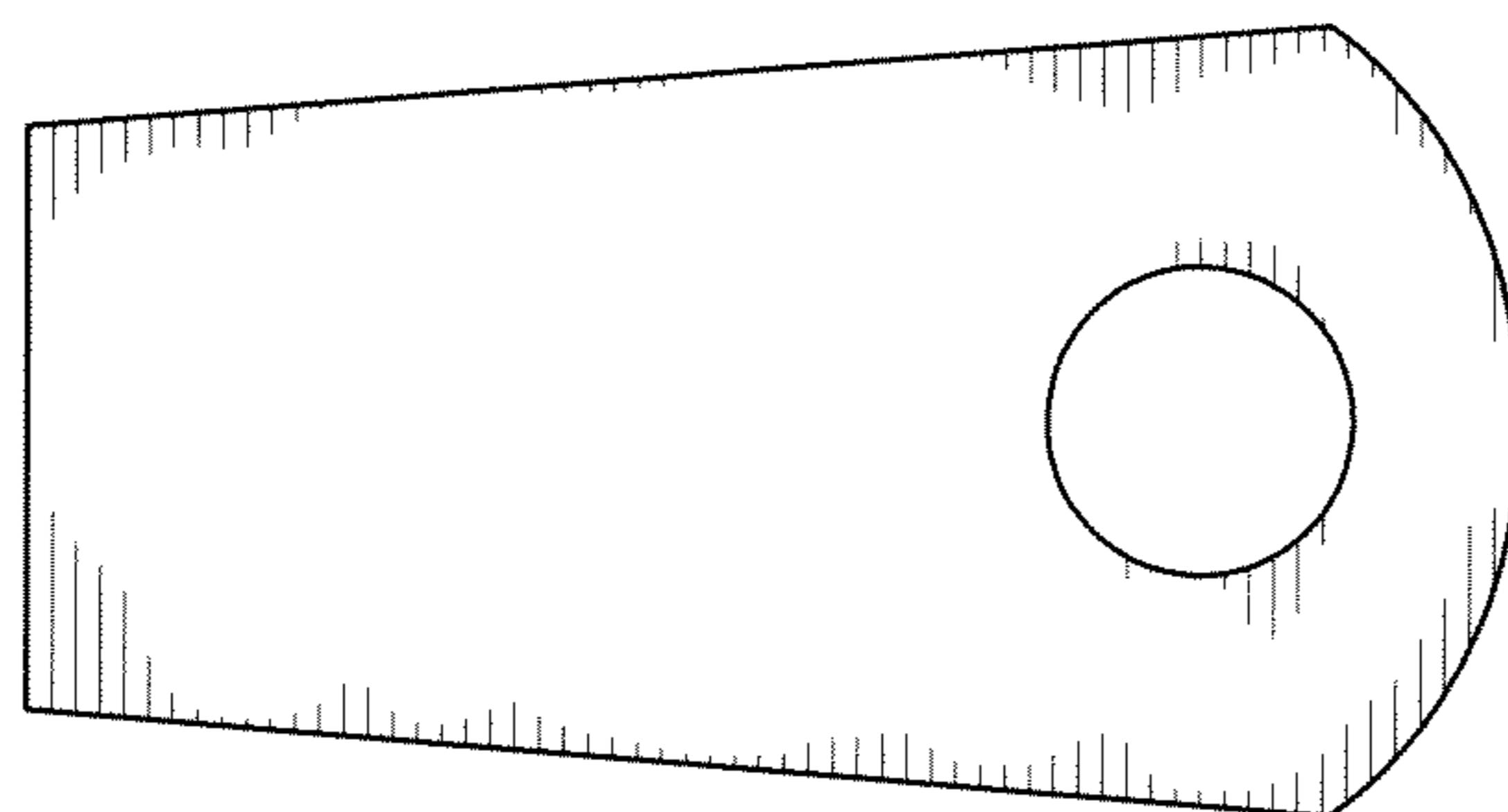


FIG. 3

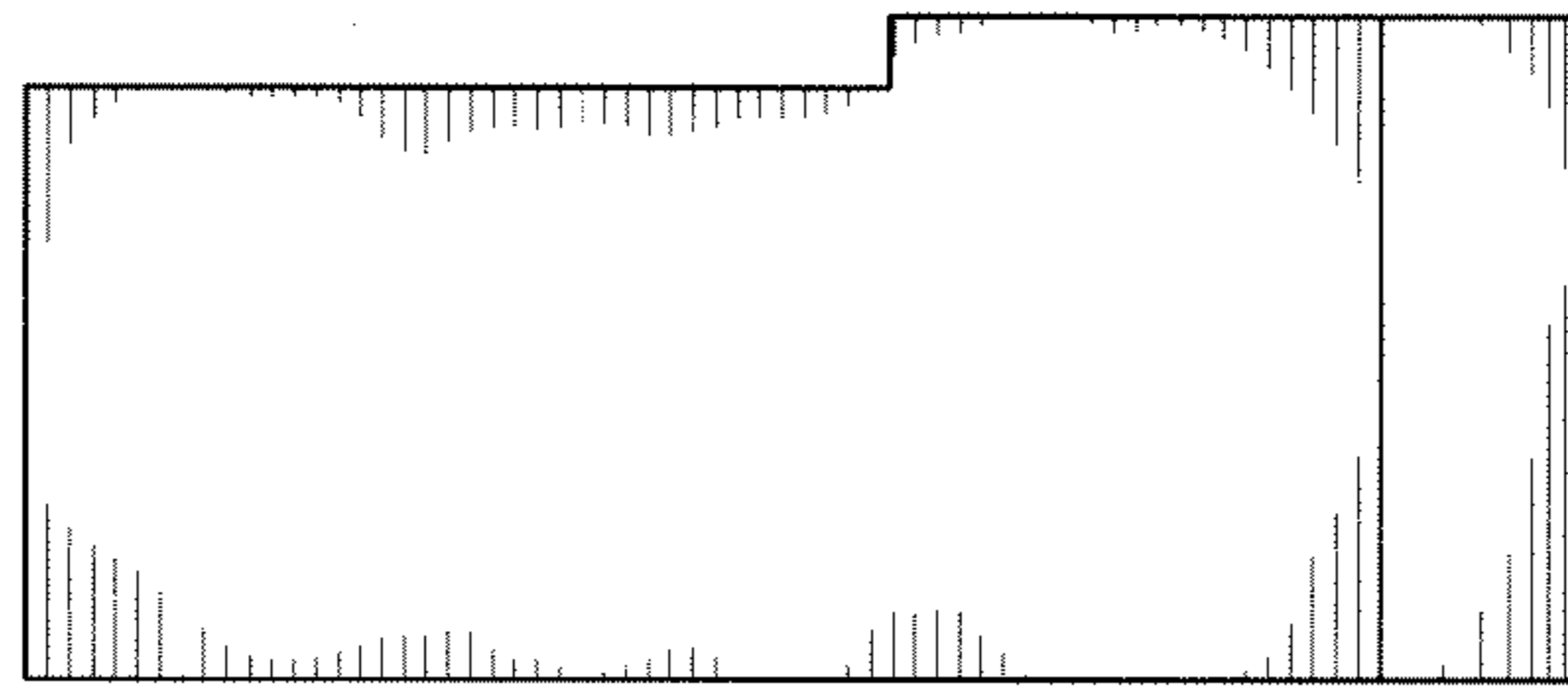


FIG. 4

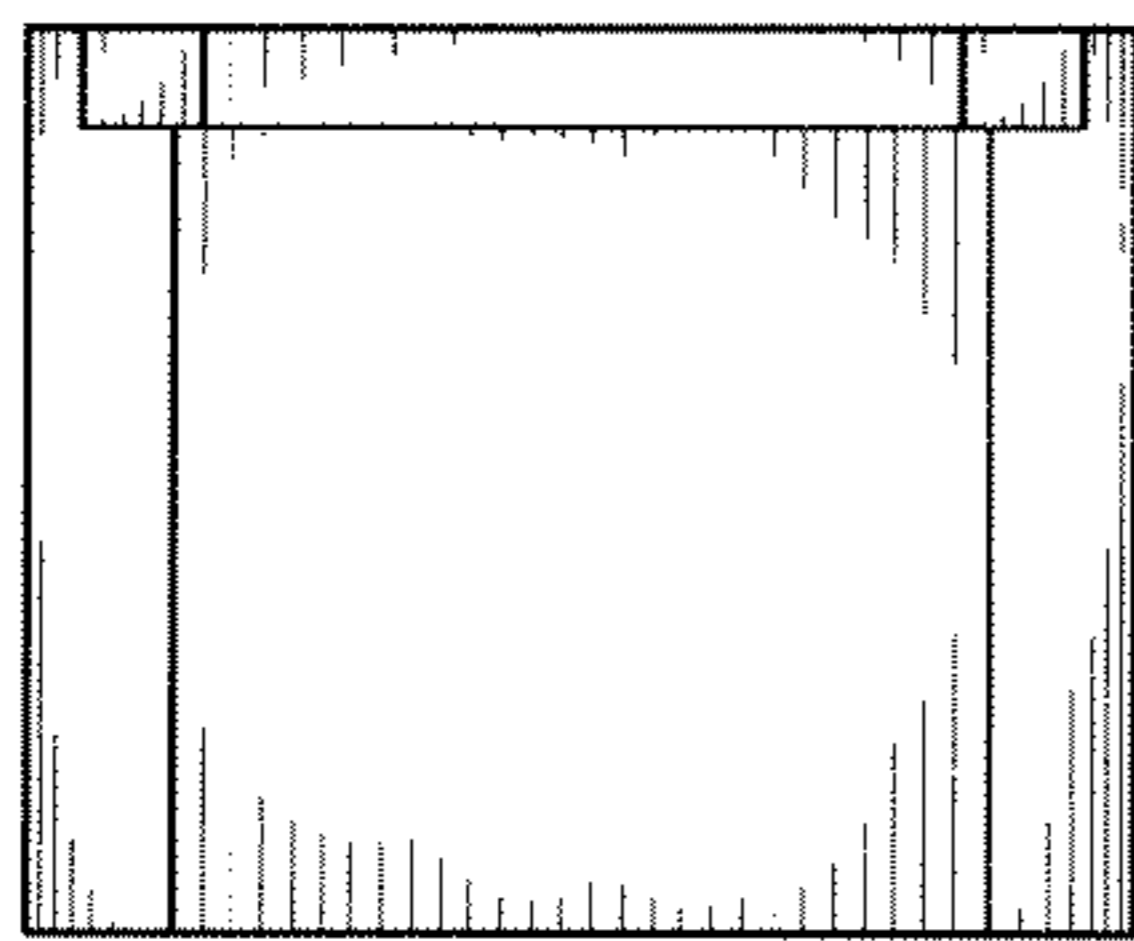


FIG. 5

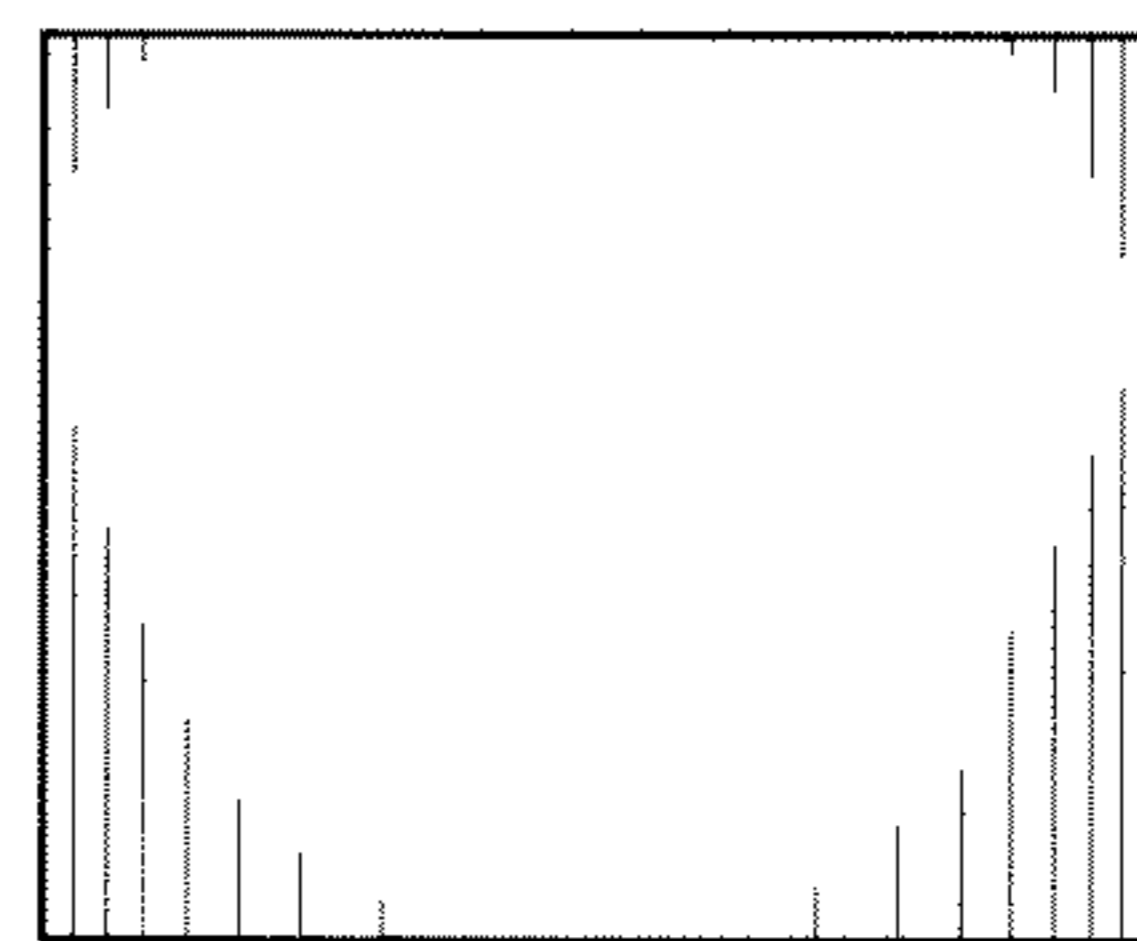


FIG. 6

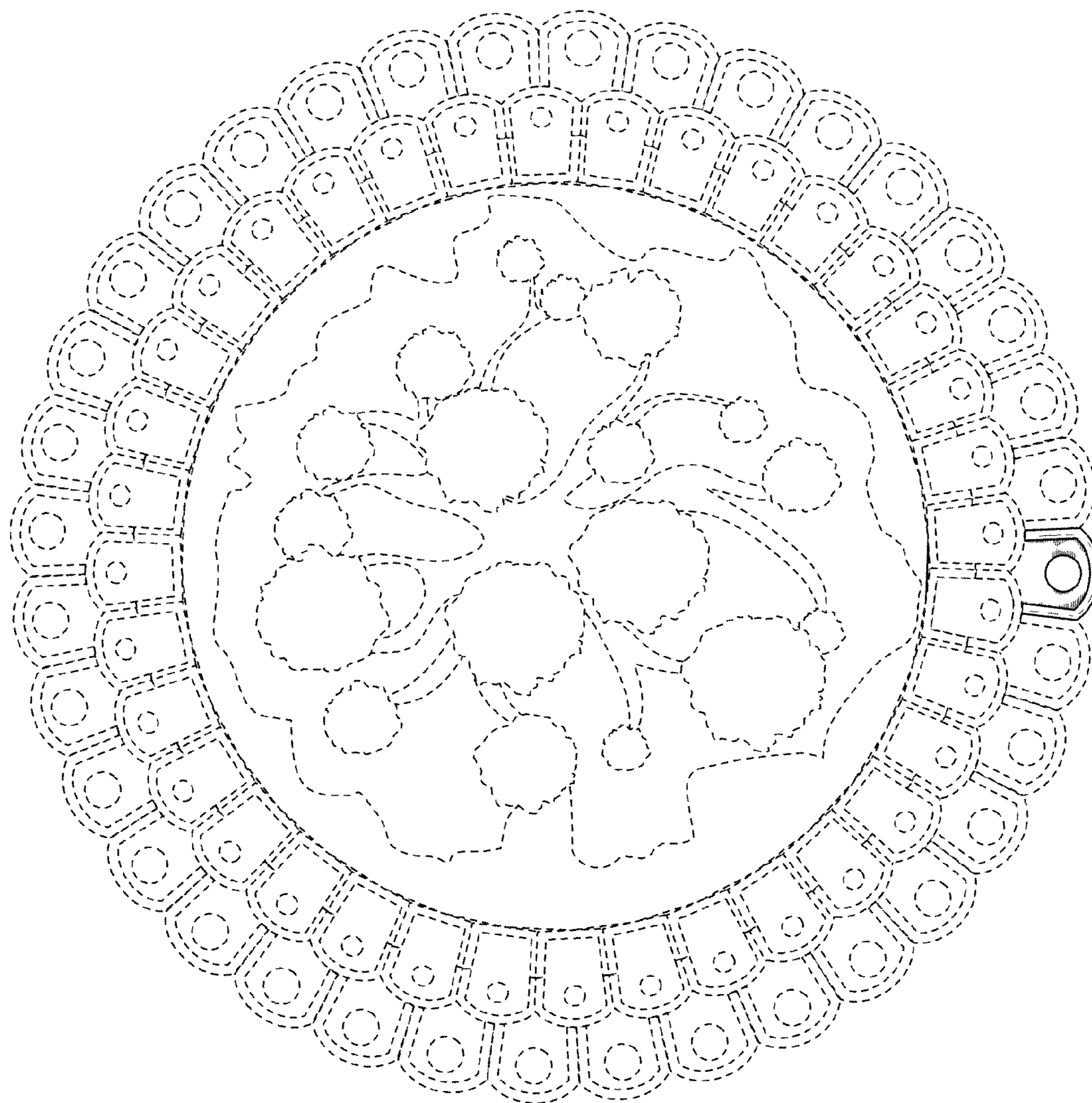


FIG. 7

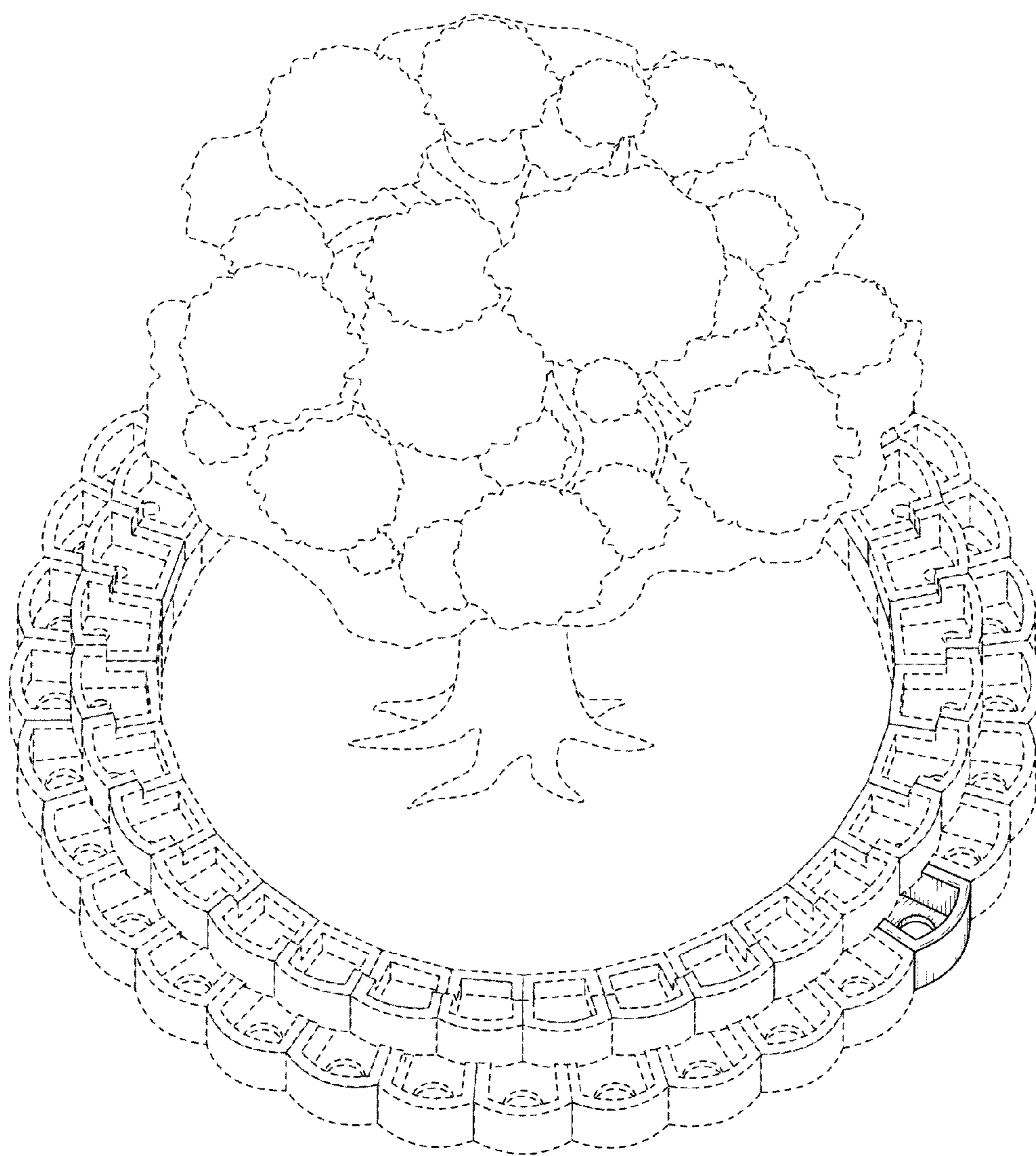


FIG. 8

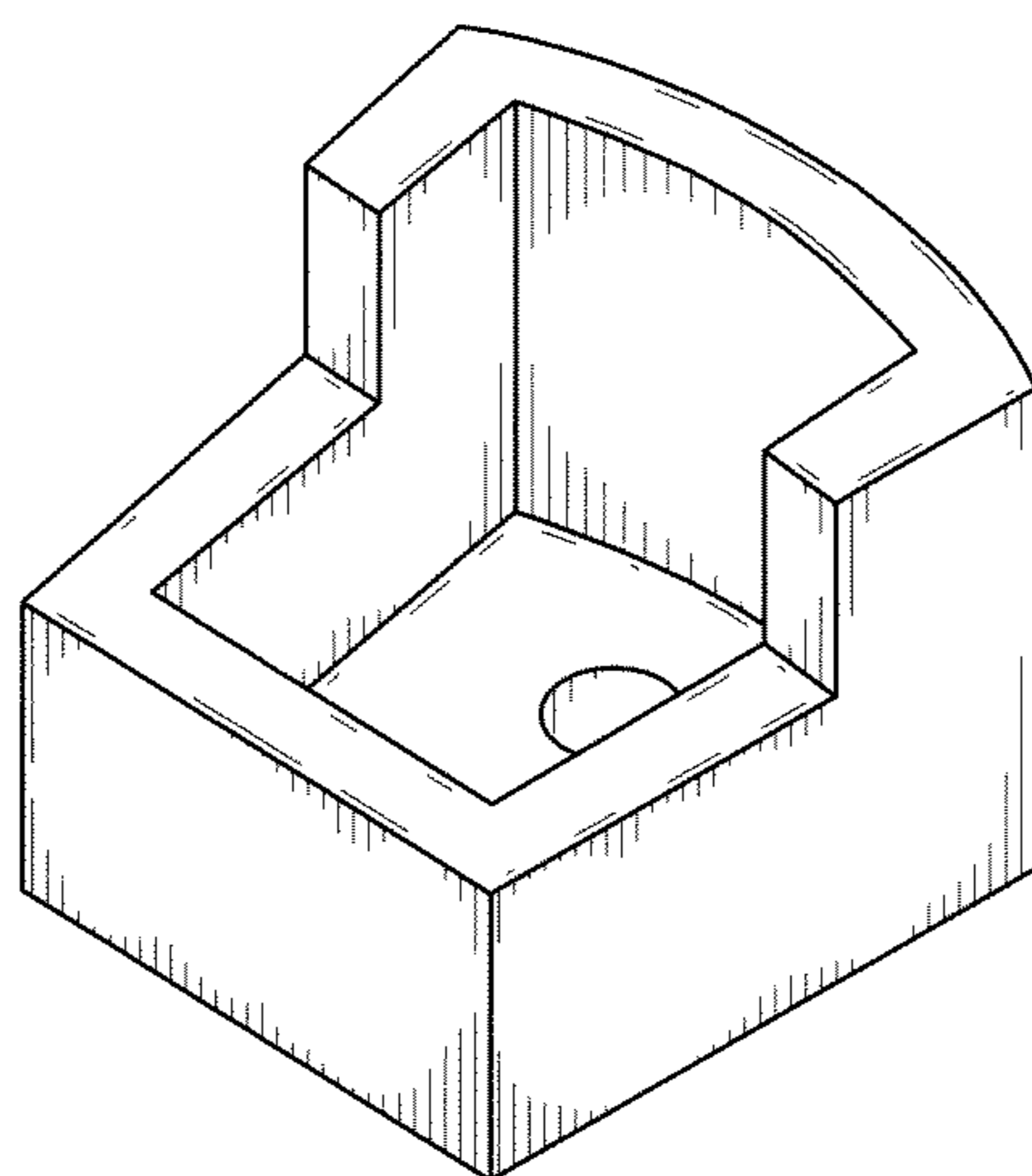


FIG. 9

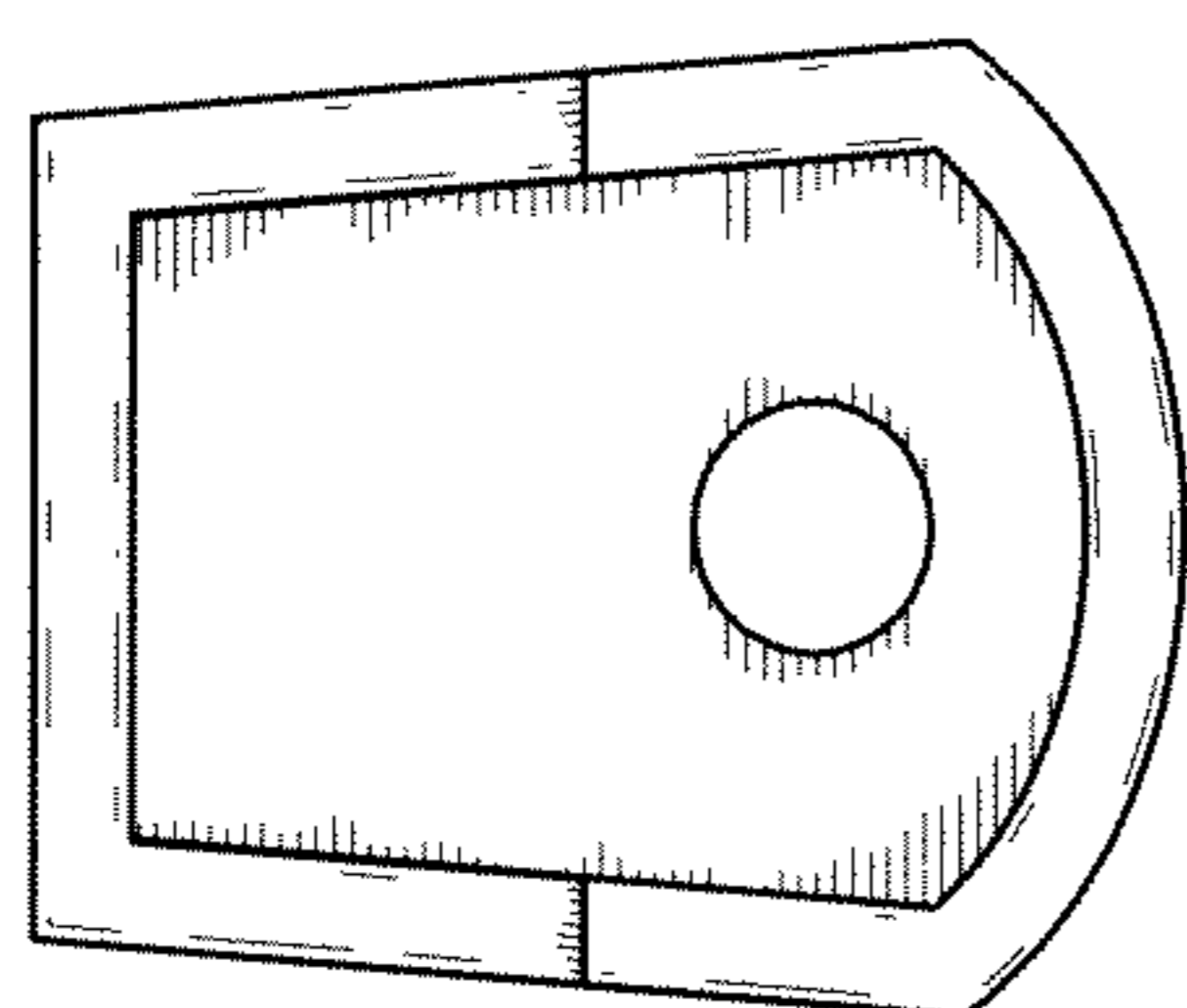


FIG. 10

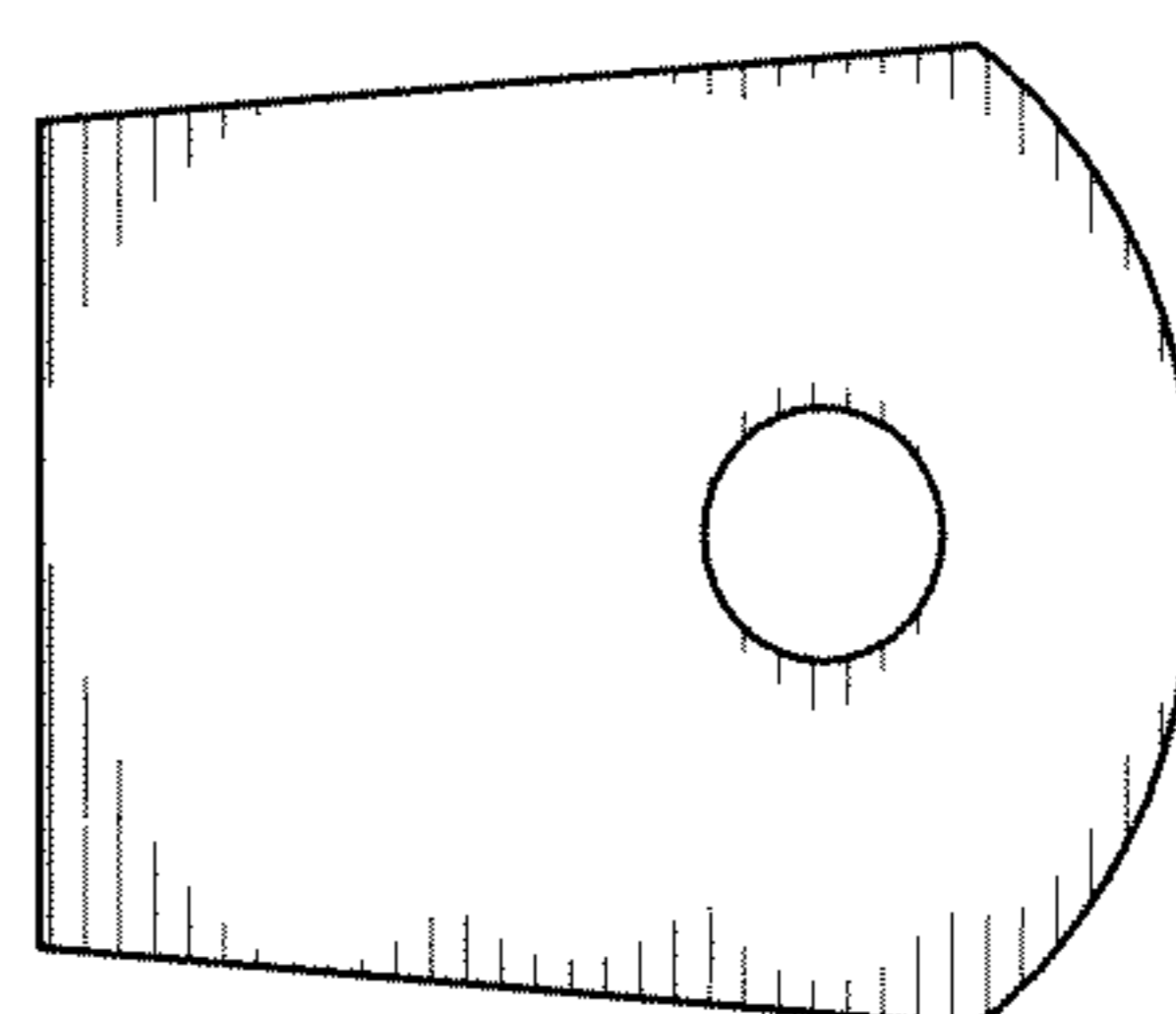


FIG. 11

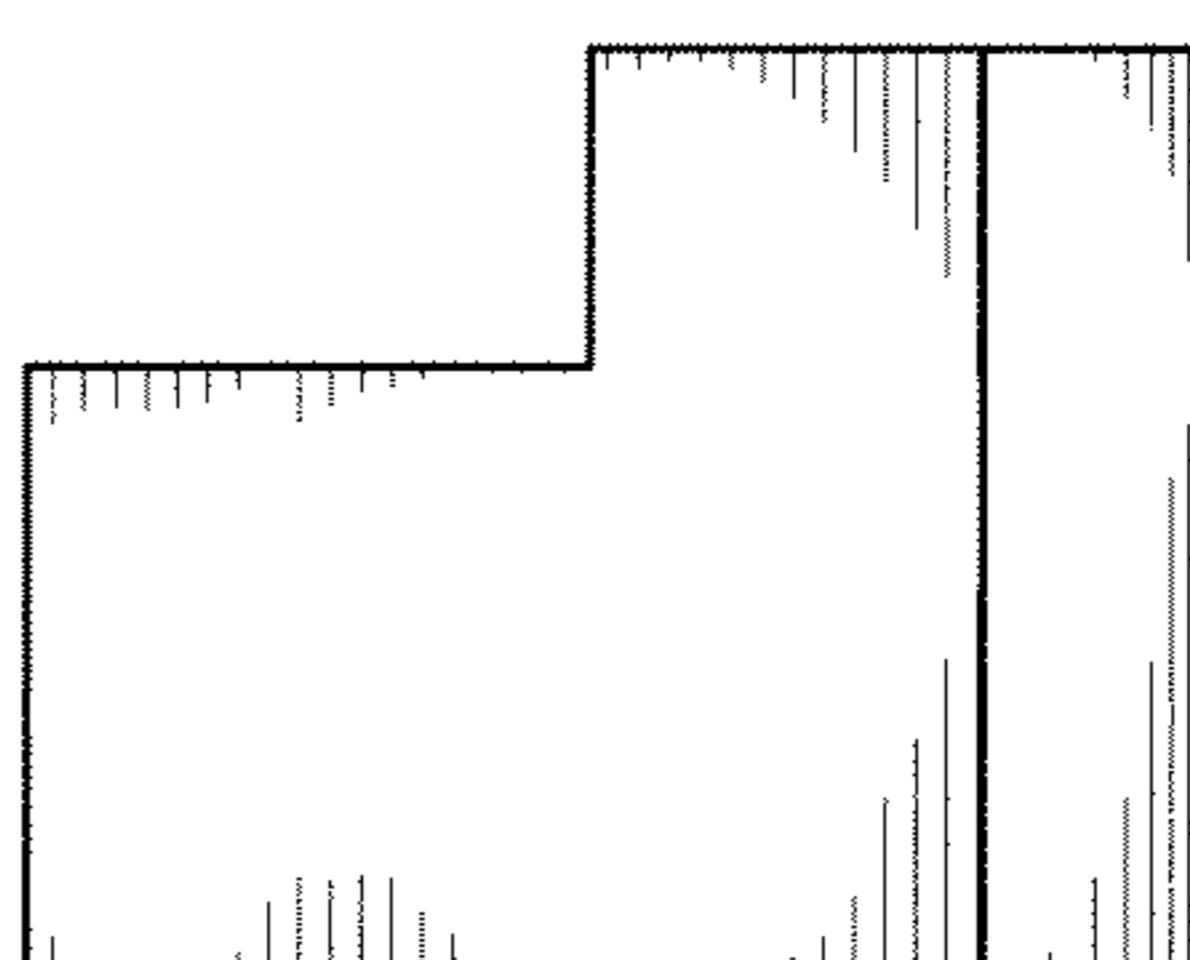


FIG. 12

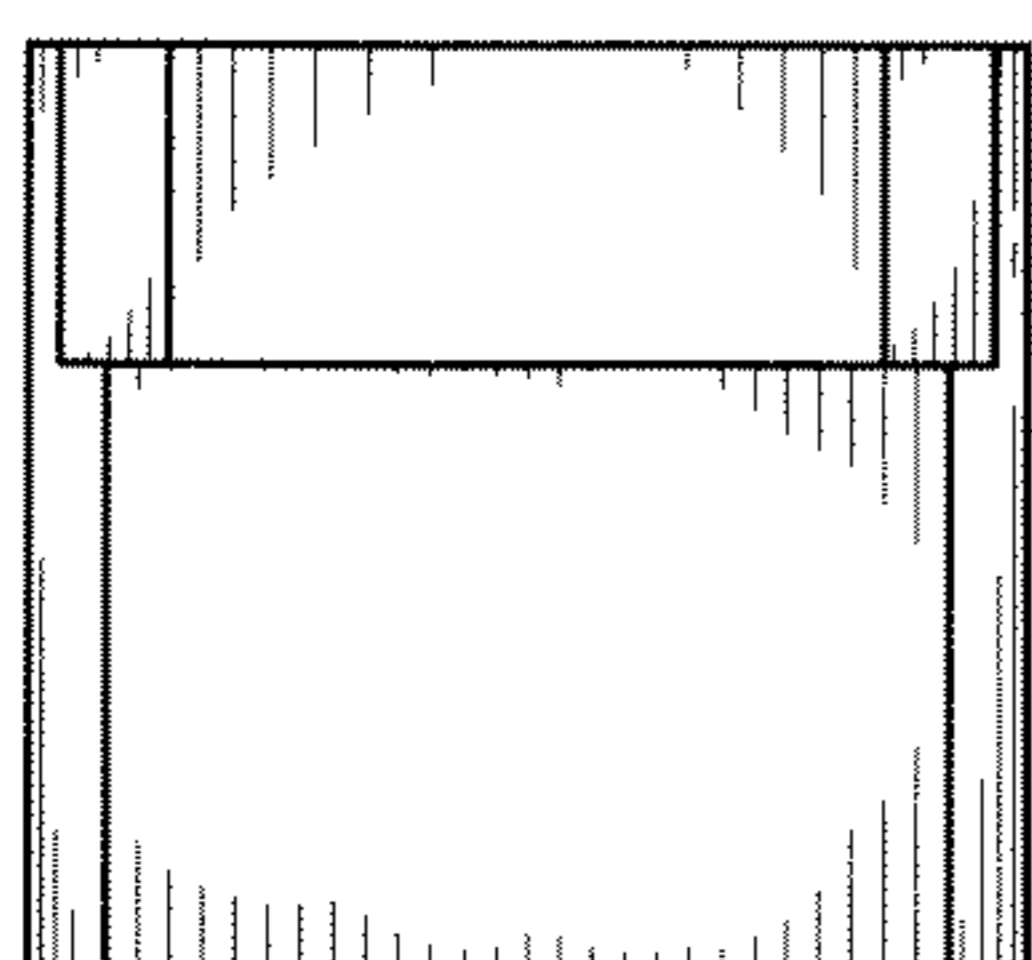


FIG. 13

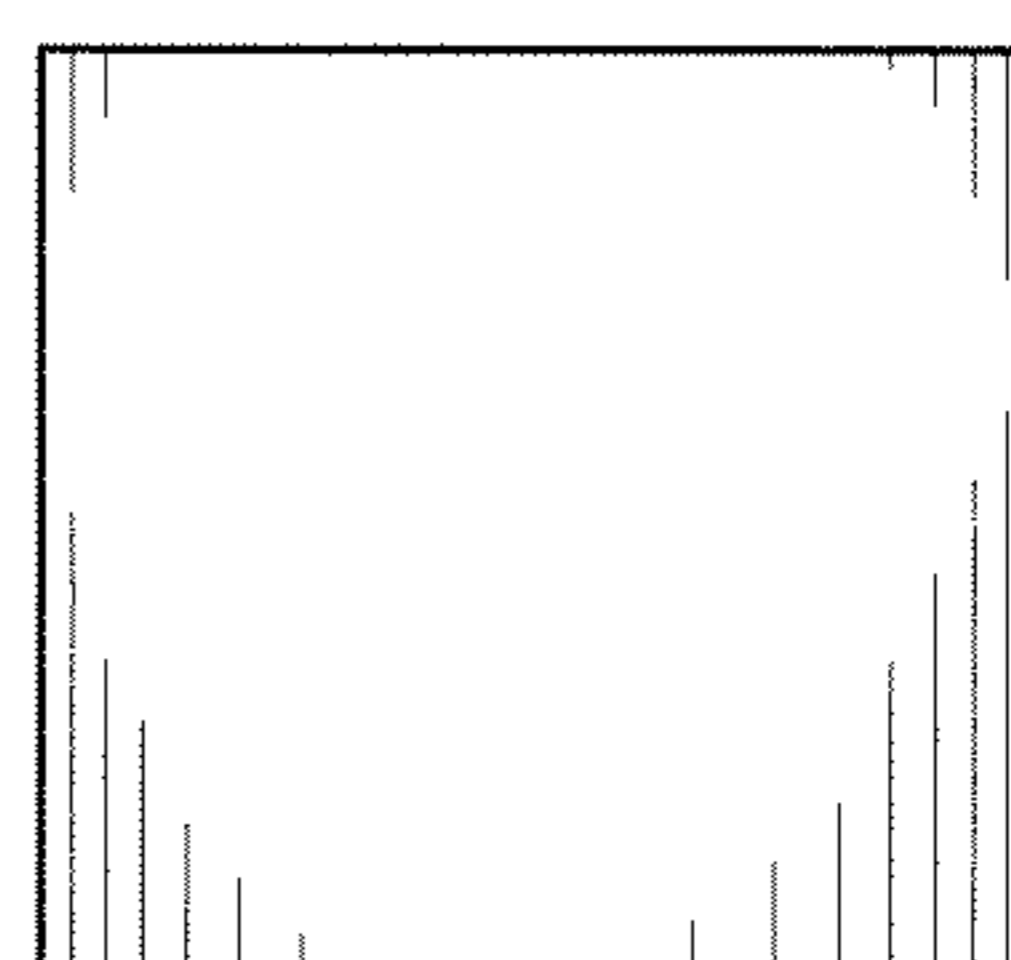


FIG. 14

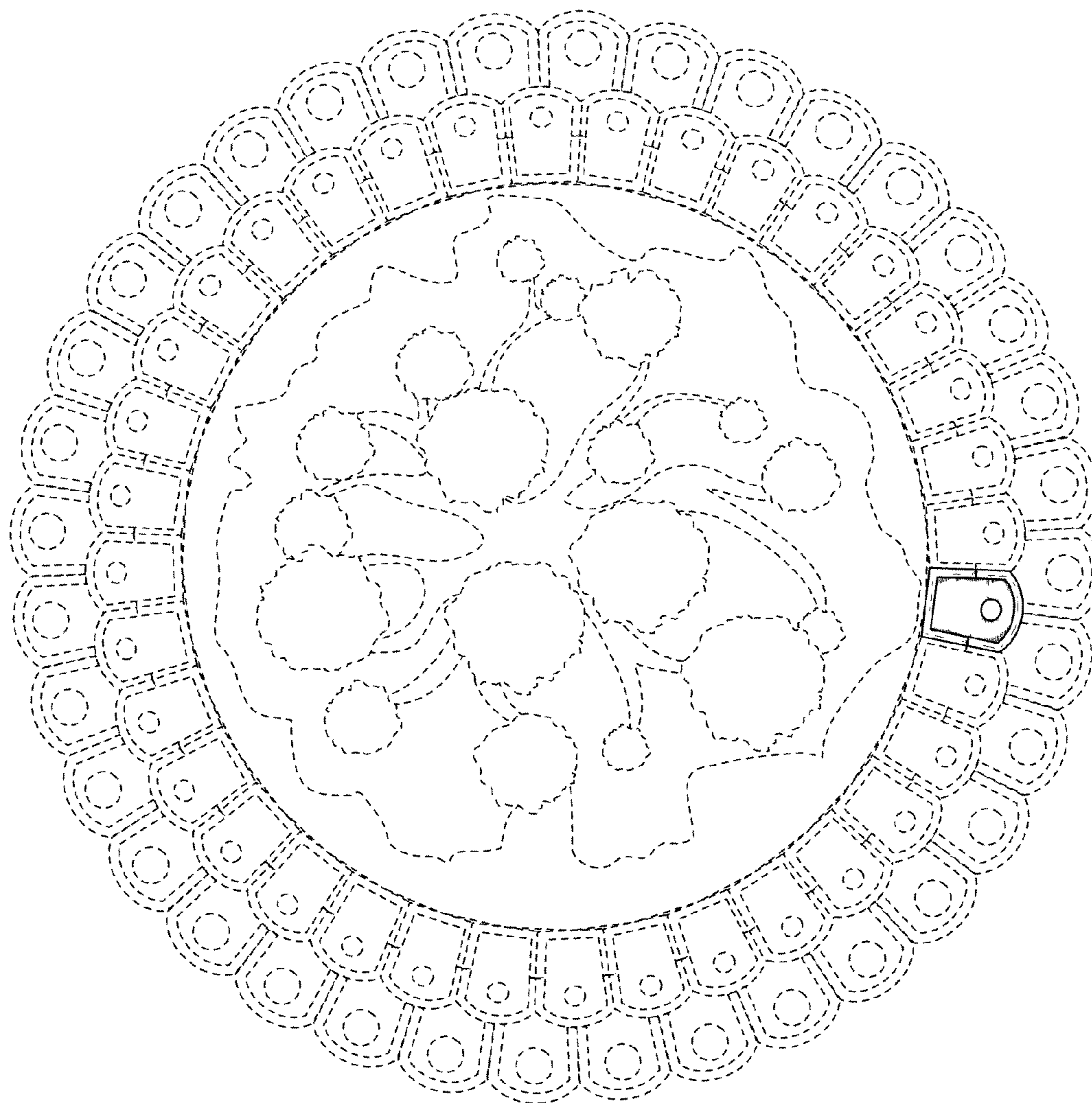


FIG. 15

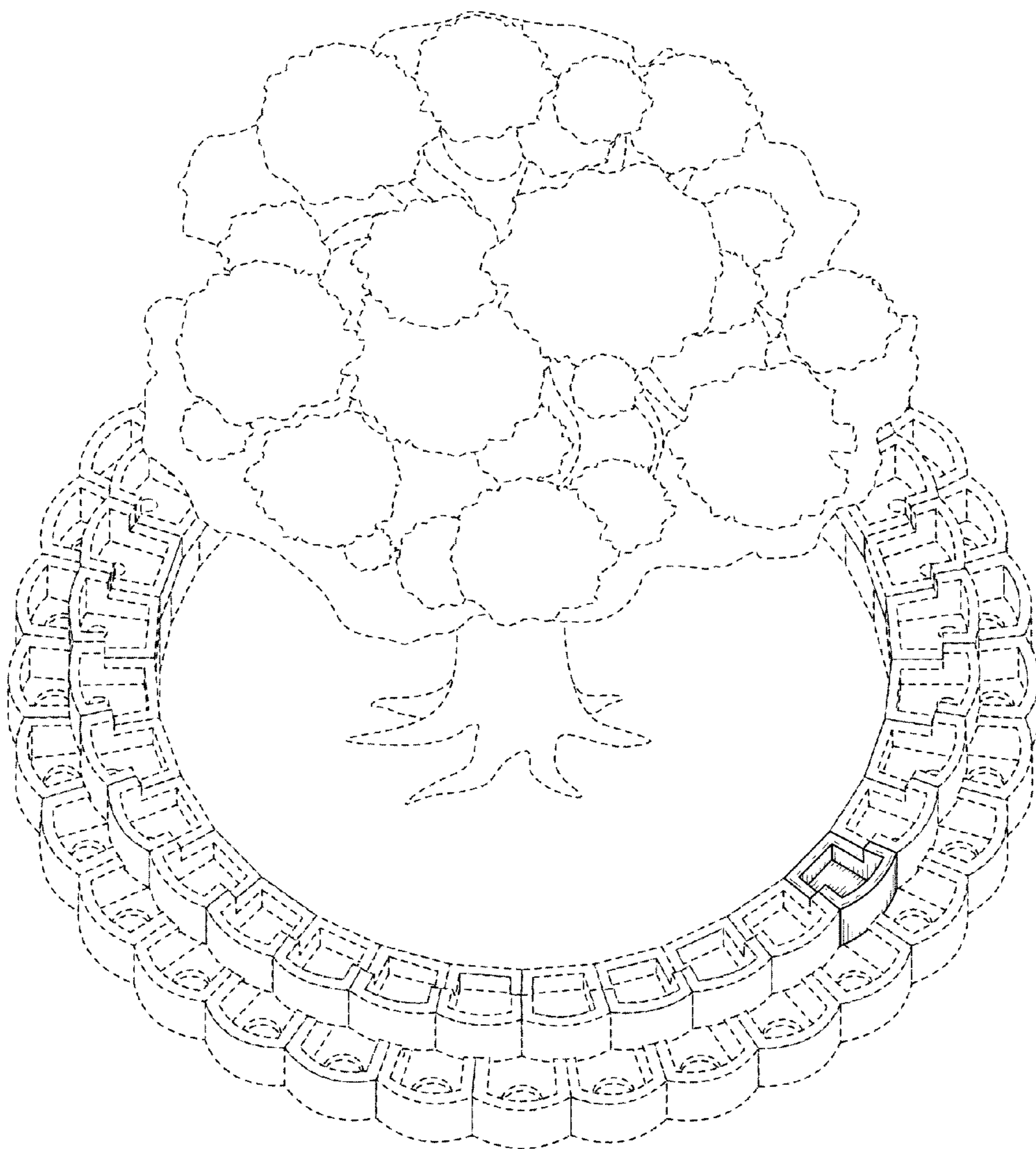


FIG. 16