



US00D726057S

(12) **United States Design Patent**
Wai

(10) **Patent No.:** **US D726,057 S**

(45) **Date of Patent:** **** Apr. 7, 2015**

(54) **WRIST BAND**

(71) Applicant: **Dekimado Limited**, Hong Kong (HK)

(72) Inventor: **Shun Kong Wai**, Hong Kong (HK)

(73) Assignee: **Dekimado Limited**, Hong Kong (HK)

(**) Term: **14 Years**

(21) Appl. No.: **29/472,905**

(22) Filed: **Nov. 18, 2013**

(51) **LOC (10) Cl.** **11-01**

(52) **U.S. Cl.**
USPC **D11/4**

(58) **Field of Classification Search**
USPC D11/1-26, 86; 63/1.11, 3, 3.1, 3.2, 15,
63/15.1-15.4, 15.45, 15.5, 15.6, 15.65,
63/5.1, 5.2, 6, 7; D28/41; D8/383, 349,
D8/394, 395, 396; D14/344

See application file for complete search history.

(56) **References Cited**

U.S. PATENT DOCUMENTS

5,816,072	A *	10/1998	Michaels	63/3
6,880,364	B1 *	4/2005	Vidolin et al.	63/40
D684,879	S *	6/2013	Hwang	D11/3
D688,585	S *	8/2013	Ohnemus et al.	D11/3
D692,341	S *	10/2013	Hwang	D11/3
D703,740	S *	4/2014	Sherwin	D19/9
D716,174	S *	10/2014	Tsang	D11/3

2008/0236195	A1 *	10/2008	Woebke	63/1.14
2008/0250815	A1 *	10/2008	Wachler et al.	63/1.15
2010/0300146	A1 *	12/2010	Klecka	63/3
2011/0061424	A1 *	3/2011	Gupta	63/1.13
2011/0079045	A1 *	4/2011	Bielkiewicz	63/1.13
2013/0305779	A1 *	11/2013	Gallagher et al.	63/3.1
2014/0070012	A1 *	3/2014	Hunt et al.	235/494
2014/0093850	A1 *	4/2014	Georgi	434/238
2014/0298857	A1 *	10/2014	Chang et al.	63/1.11
2014/0298858	A1 *	10/2014	Chang et al.	63/1.13

OTHER PUBLICATIONS

[Online] <http://www.dekimado.com/eng/duoBand.html>. Retrieved Jan. 15, 2015.*

* cited by examiner

Primary Examiner — Garth Rademaker
Assistant Examiner — Melanie Pellegrini

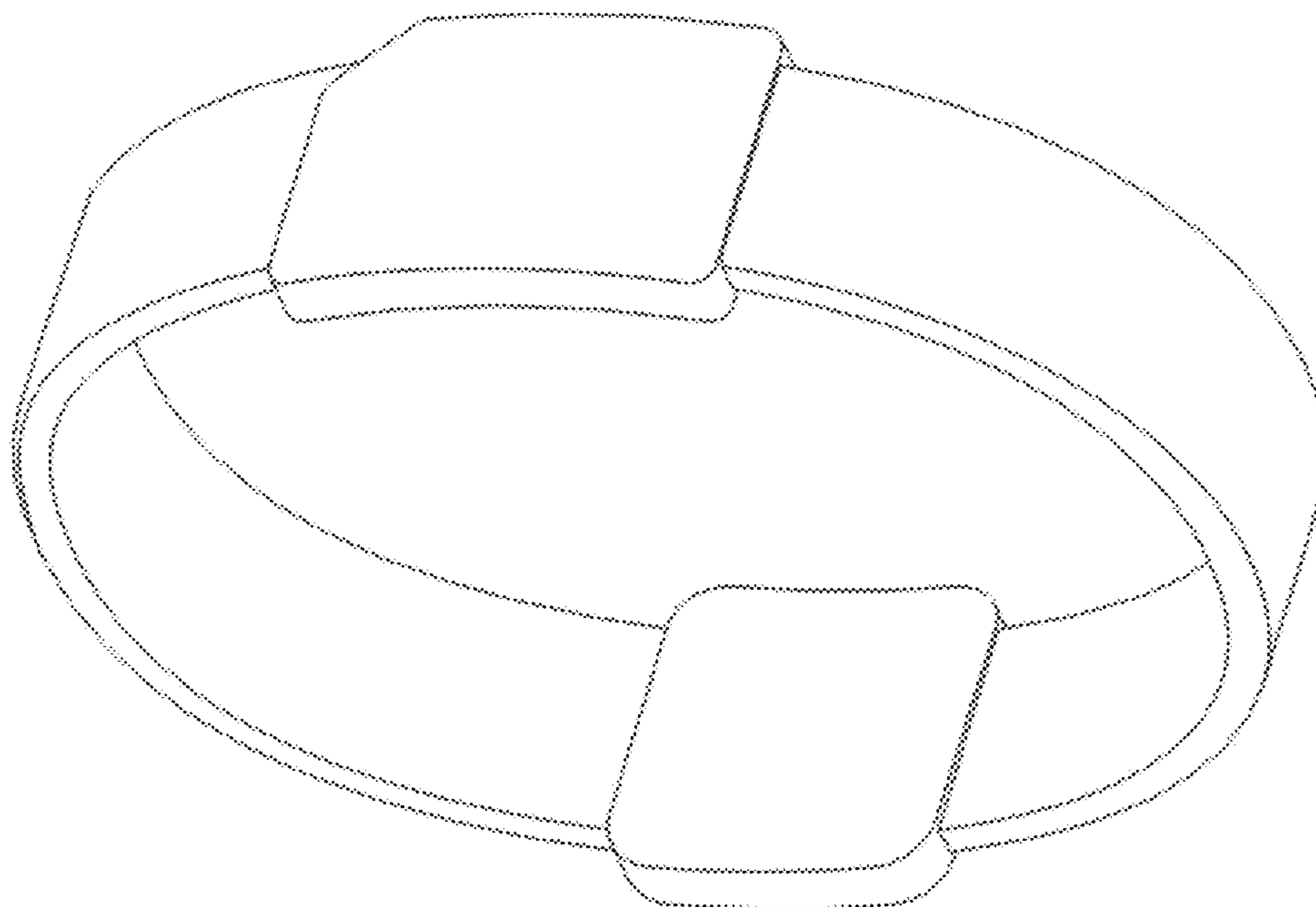
(57) **CLAIM**

The ornamental design for a wrist band, as shown and described.

DESCRIPTION

FIG. 1 is a front elevational view of a wristband showing my new design;
FIG. 2 is a top plan view thereof;
FIG. 3 is a bottom plan view thereof;
FIG. 4 is a left side view thereof;
FIG. 5 is a right side view thereof;
FIG. 6 is a first perspective view thereof;
FIG. 7 is a second perspective view thereof; and,
FIG. 8 is a third perspective view thereof.

1 Claim, 8 Drawing Sheets



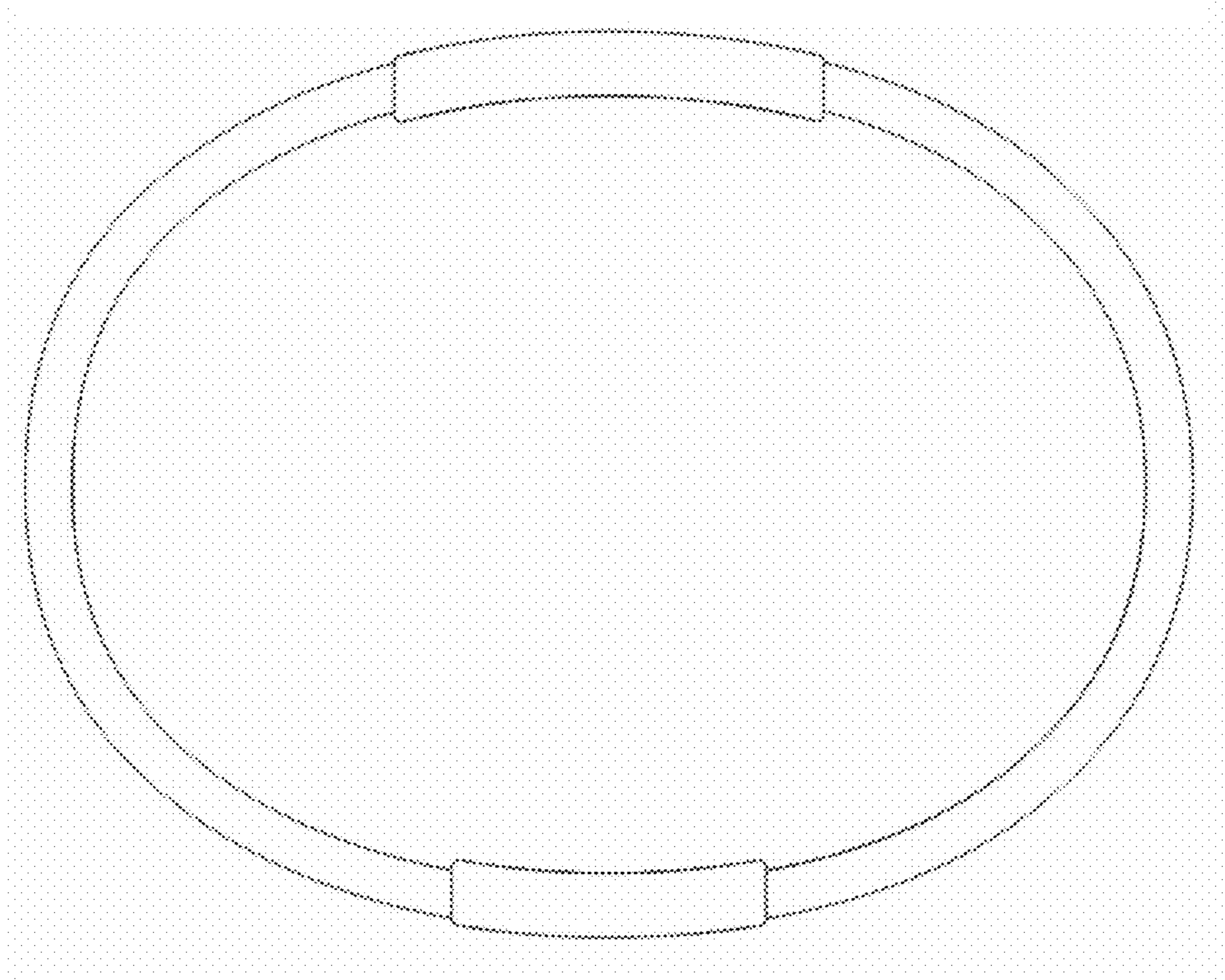


FIG. 1

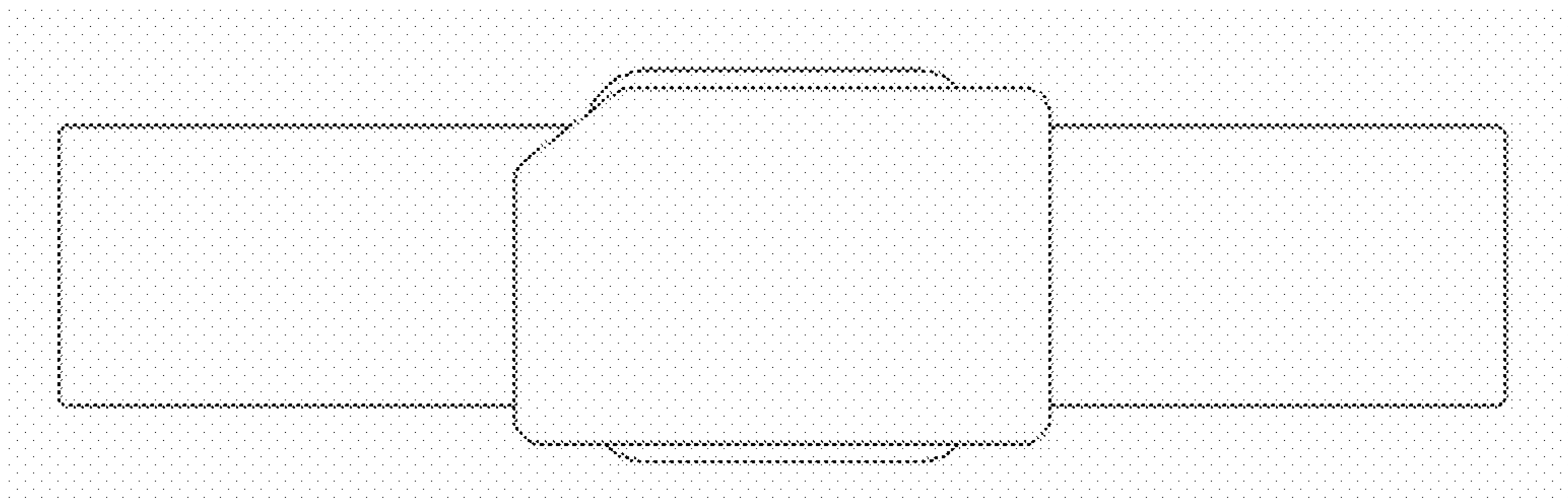


FIG. 2

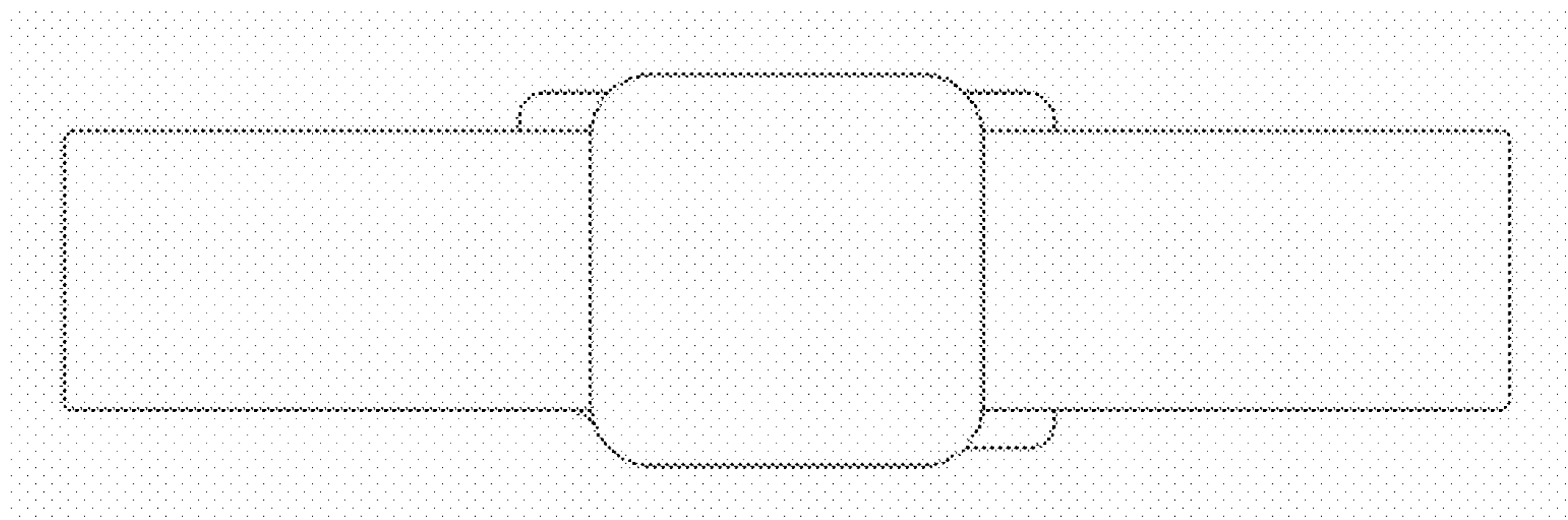


FIG. 3

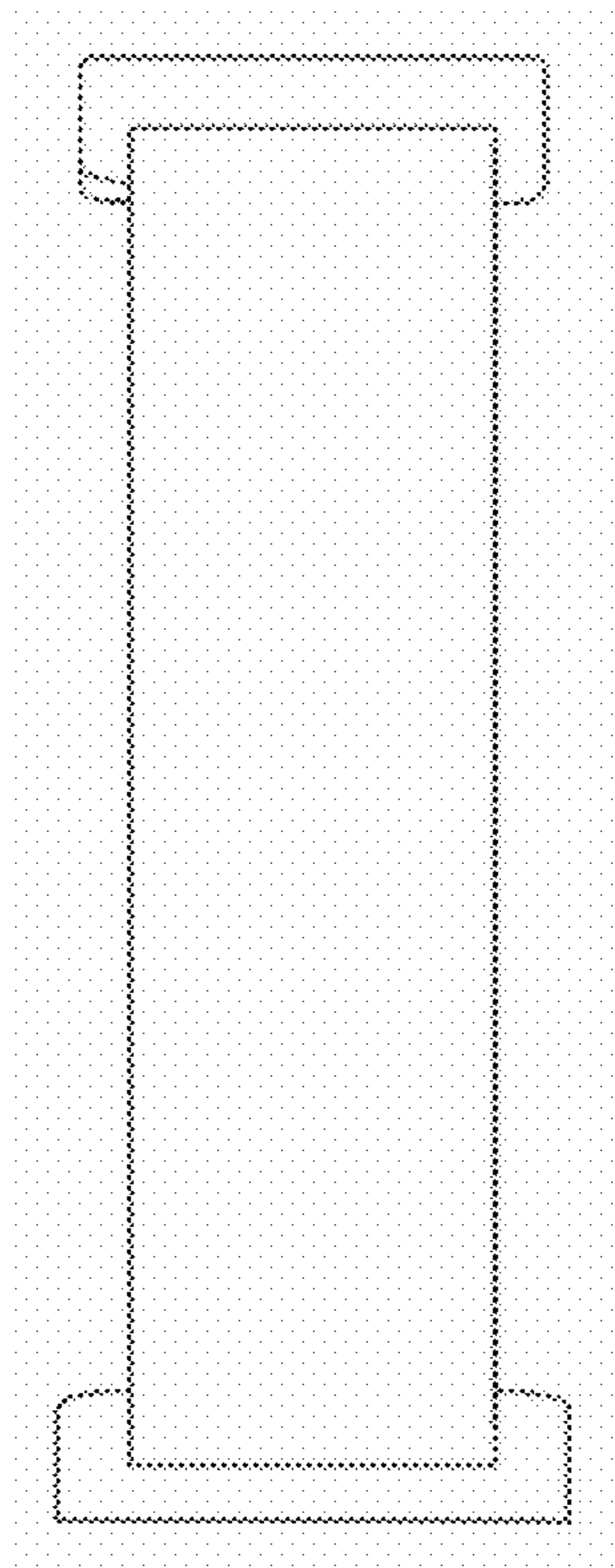


FIG. 4

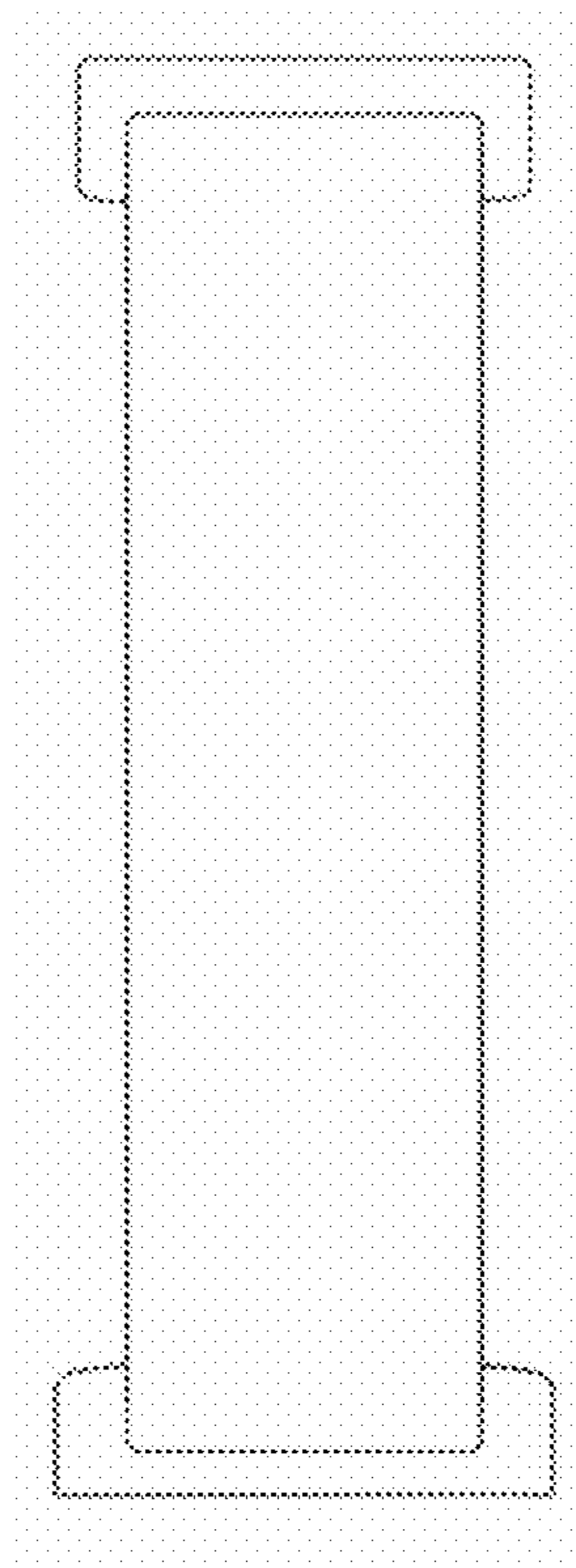


FIG. 5

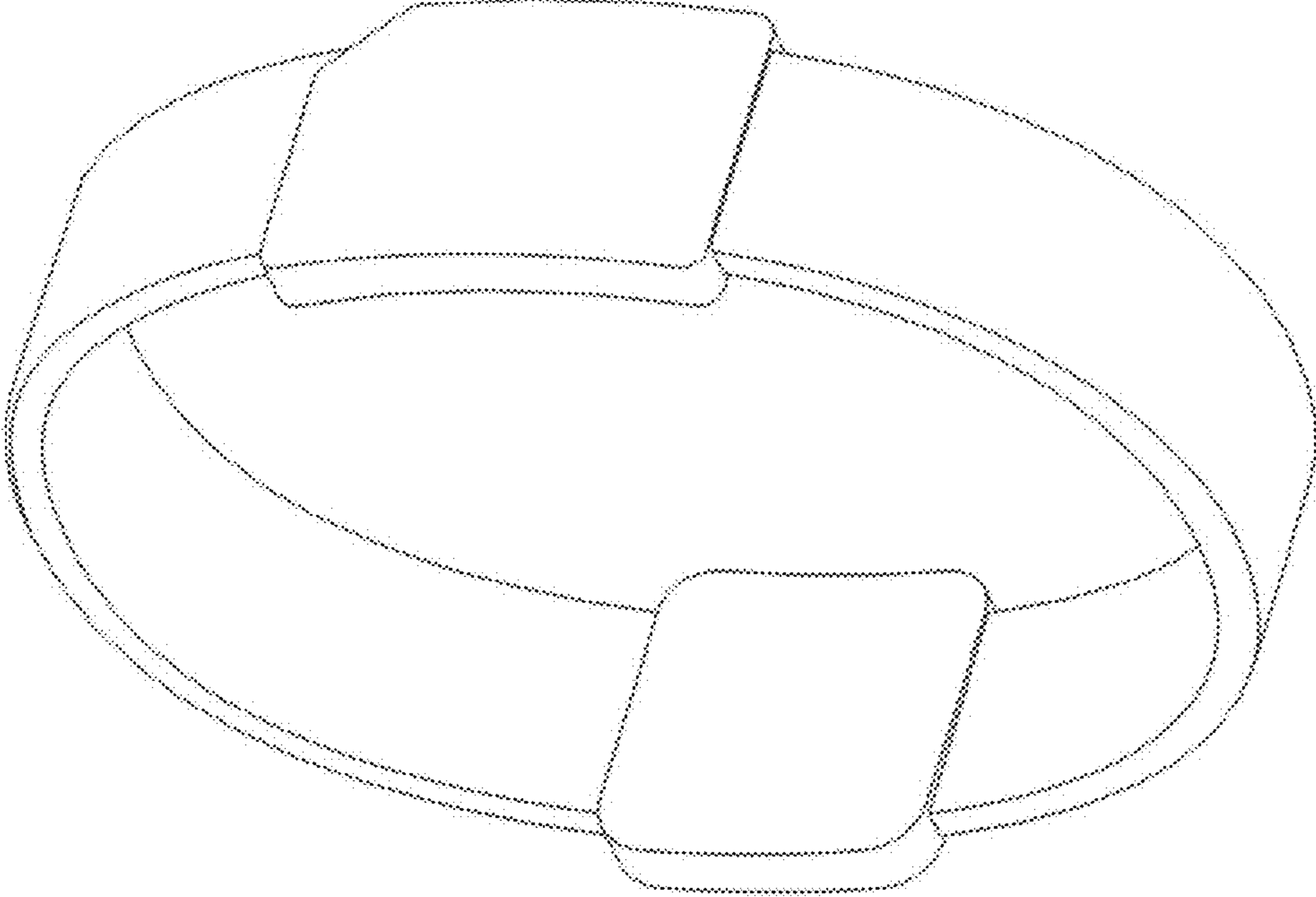


FIG. 6

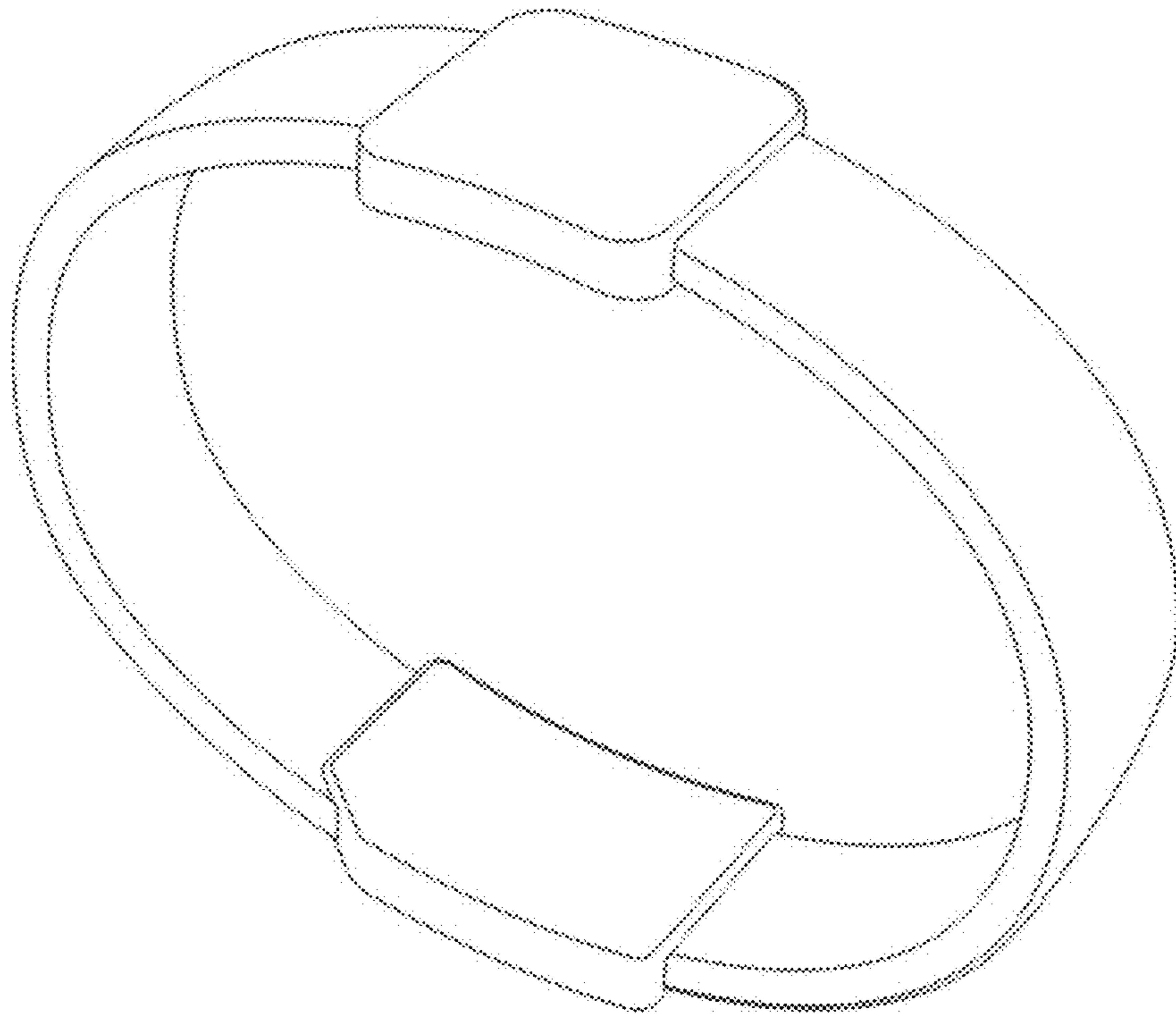


FIG. 7

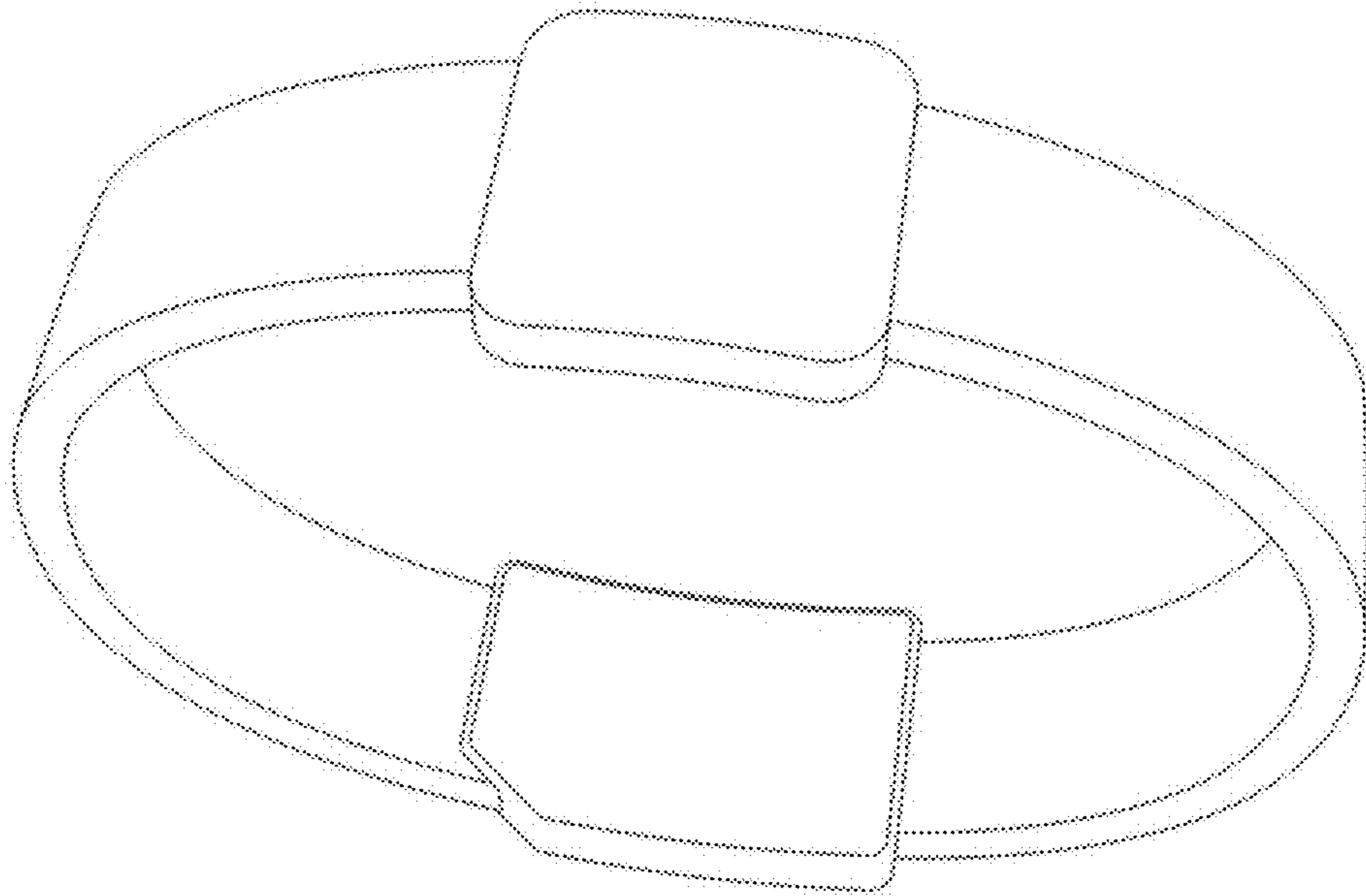


FIG. 8