



US00D726056S

(12) **United States Design Patent**
Riddiford et al.

(10) **Patent No.:** **US D726,056 S**
(45) **Date of Patent:** **** Apr. 7, 2015**

(54) **FITNESS WATCH STRAP**

(71) Applicant: **TomTom International B.V.**,
Amsterdam (NL)

(72) Inventors: **Martin Riddiford**, London (GB);
Anthony Nicholas Pond, London (GB);
Liam James O'Brien, London (GB)

(73) Assignee: **TomTom International B.V.**,
Amsterdam (NL)

(**) Term: **14 Years**

(21) Appl. No.: **29/470,164**

(22) Filed: **Oct. 17, 2013**

(30) **Foreign Application Priority Data**

Apr. 17, 2013 (EM) 002222414-0001

(51) **LOC (10) Cl.** **11-01**

(52) **U.S. Cl.**
USPC **D11/3**

(58) **Field of Classification Search**
USPC D11/1-25, 93, 94, 200; D10/30-39,
D10/122-132; 63/3, 3.1, 3.2, 4, 5.1, 6-9,
63/15, 15.1, 15.2; 368/281-283, 276-278;
224/164-180

See application file for complete search history.

(56) **References Cited**

U.S. PATENT DOCUMENTS

D254,964 S * 5/1980 Hofman D11/3
4,473,304 A * 9/1984 Ketner 368/281
D285,422 S * 9/1986 Grimes D11/4
D297,416 S * 8/1988 Saito D10/32
D298,109 S * 10/1988 Brenni D10/39
D301,310 S * 5/1989 Nakai D10/32
D333,446 S * 2/1993 Butler D11/19

D339,748 S * 9/1993 Choi D10/32
D346,132 S * 4/1994 McNally D11/19
D349,257 S * 8/1994 Polenberg D11/3
5,481,506 A * 1/1996 Kita 368/278
D386,696 S * 11/1997 Walch D10/34
D399,434 S * 10/1998 Monjugawa D10/32
D502,410 S * 3/2005 Dias D10/32
D571,249 S * 6/2008 Frederick et al. D11/4
7,591,581 B2 * 9/2009 Lovegrove et al. 368/281
D636,686 S * 4/2011 Cobbett et al. D10/38
D637,918 S * 5/2011 Cobbett et al. D10/31
D638,324 S * 5/2011 Tang D10/128
D638,327 S * 5/2011 Cobbett et al. D11/94
D638,736 S * 5/2011 Cobbett et al. D11/3
D688,967 S * 9/2013 Wilson D10/128

OTHER PUBLICATIONS

TomTom Runner GPS Watch, Tomtom.com, published Jan. 22, 2014,
online. Site visited Mar. 21, 2014. Internet URL: <<"http://www.
tomtom.com/en_us/products/your-sports/tomtom-multi-sport-gps-
watch/dark-grey/">.*

(Continued)

Primary Examiner — Garth Rademaker
Assistant Examiner — Llorellys Martinez-Rivera

(57) **CLAIM**

The ornamental design for a fitness watch strap, as shown and
described.

DESCRIPTION

FIG. 1 is a top, front, right perspective view of a fitness watch
strap showing the new design.

FIG. 2 is a bottom, rear, right perspective view thereof.

FIG. 3 is a right side view thereof; the left side view being a
mirror image thereof.

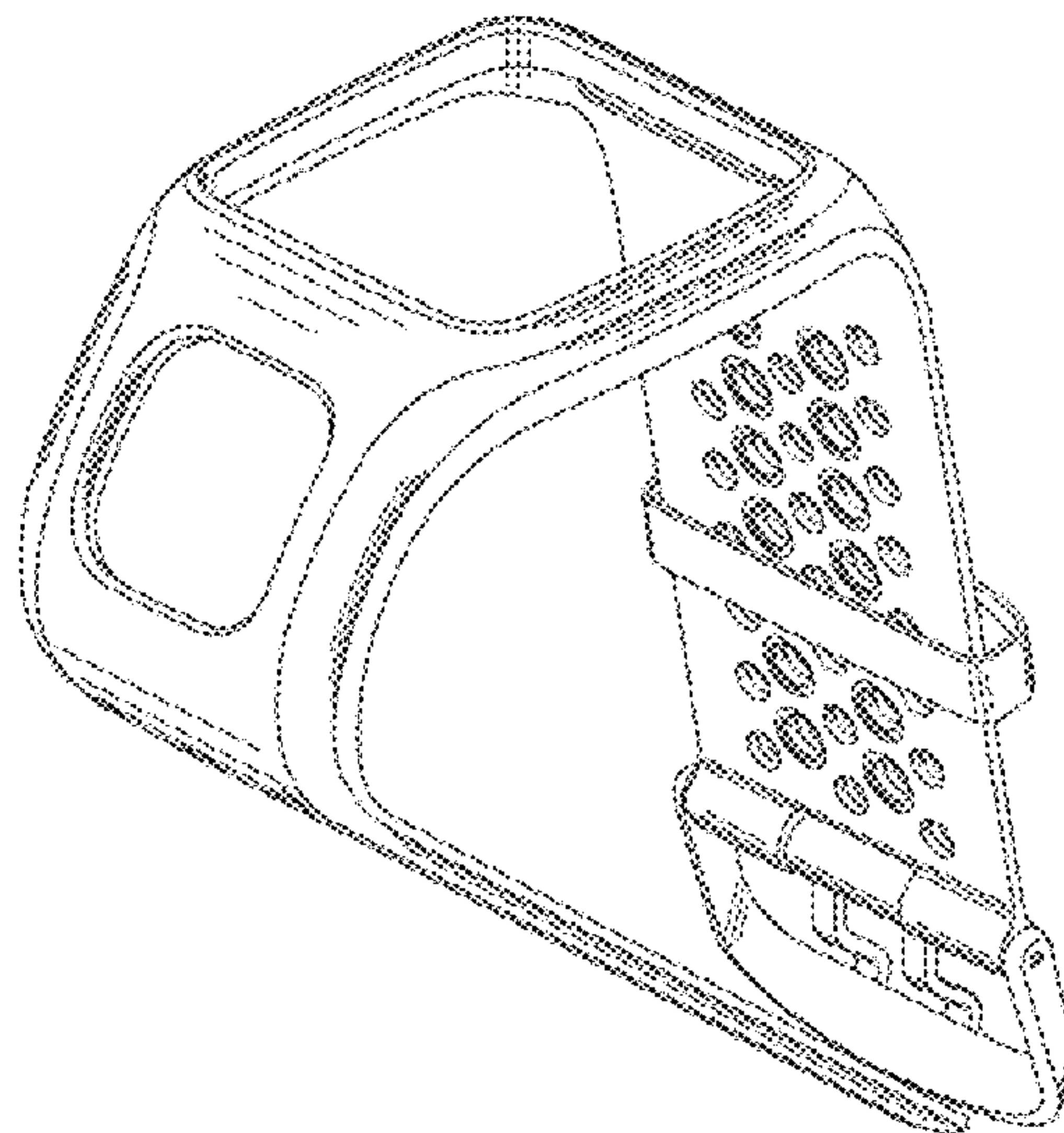
FIG. 4 is a front view thereof.

FIG. 5 is a rear view thereof.

FIG. 6 is a bottom view thereof; and,

FIG. 7 is a top view thereof.

1 Claim, 5 Drawing Sheets



(56)

References Cited

OTHER PUBLICATIONS

Hex HX1005-Blck Sport Watch for iPod Nano Gen 6, Amazon.com listing, first reviewed Jul. 1, 2011, online. Site visited Mar. 20, 2014. Internet URL: <“http://www.amazon.com/HEX-HX1005-BLCK-Sport-Watch-Black/dp/B0050BKAUE/ref=sr_1_5?ie=UTF8&qid=1395426199&sr=8-5&keywords=hex+hx1005”>.*

Gucci Men’s ‘I Gucci’ Black Digital Dial Orange Rubber Strap Watch, Overstock.com listing, published Jan. 6, 2013, online. Site visited Mar. 20, 2014. Internet URL: <“<http://www.overstock.com/Jewelry-Watches/Gucci-Mens-I-Gucci-Black-Digital-Dial-Orange-Rubber-Strap-Watch/7517036/product.html?refccid=2DWEMSZJLZRL632DDO34UNULNE&searchidx=22>”>.*

Nike+ Sportwatch GPS by TomTom, Nike Store, first reviewed on Jun. 15, 2012, online. Site visited Mar. 20, 2014. Internet URL: <“http://store.nike.com/us/en_us/pd/sportwatch-gps/pid-579303”>.*

Nooka Zem Zen-V Mirror Steel, Nooka.com, published Jan. 13, 2013, online. Site visited Mar. 20, 2014. Internet URL: <“<http://www.nooka.com/zem-zenv-mirror-steel-p-202.html>”>.*

Therefore Limited Runner GPS Watch, Therefore.co.uk, published May 19, 2013, online. Site visited Mar. 20, 2014. Internet URL: <“<http://www.therefore.co.uk/our-work>”>.*

Belkin FlexWear for Ipod Nano (6th generation), Amazon.com listing, first reviewed on Jul. 25, 2012. Site visited Mar. 20, 2014. Internet URL: <“http://www.amazon.com/Belkin-FlexWear-Ipod-Nano-generation/dp/B004QBKPKJ/ref=sr_1_1?ie=UTF8&qid=1395427178&sr=8-1&keywords=belkin+flexwear+ipod”>.*

* cited by examiner

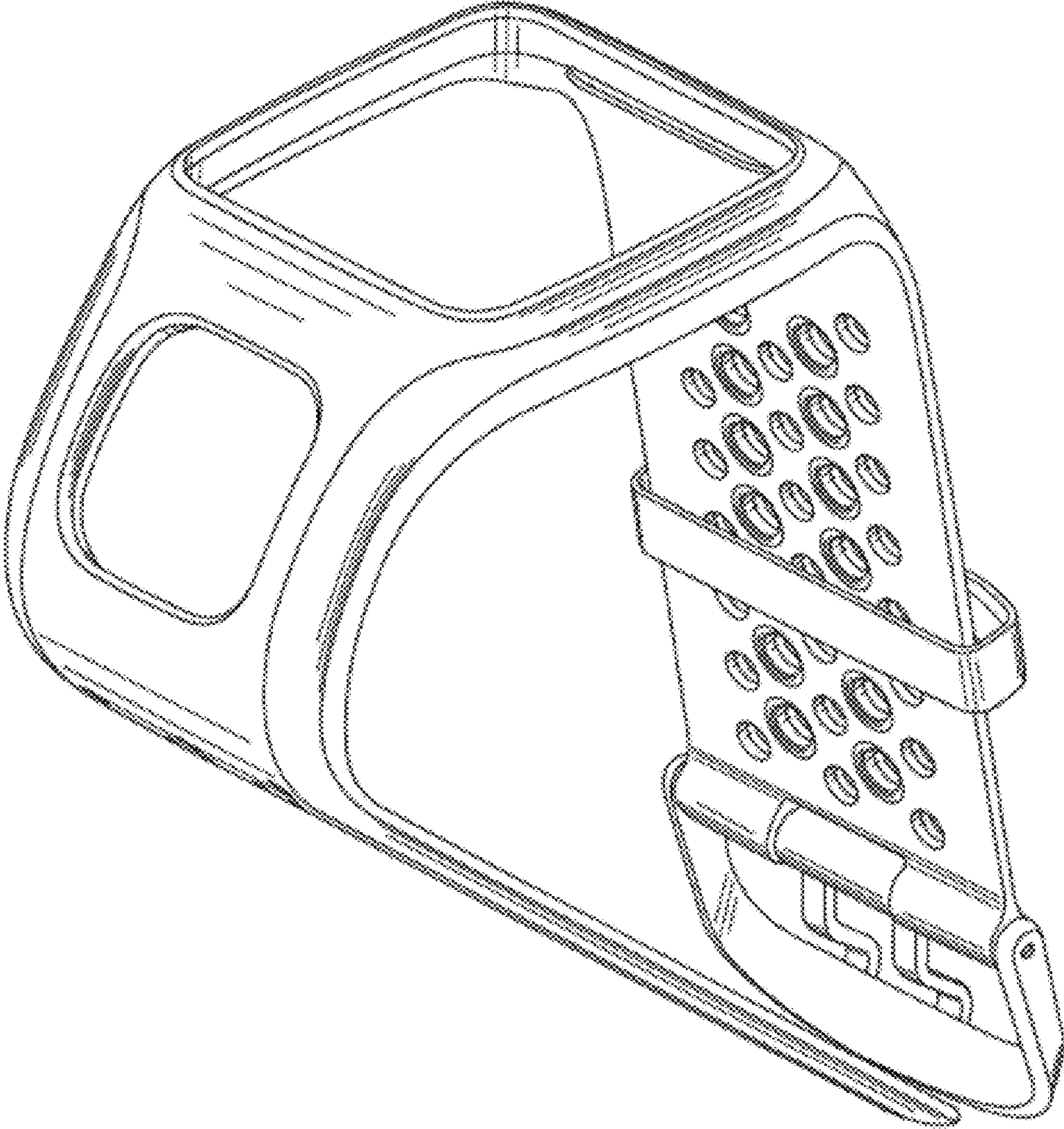


Figure 1

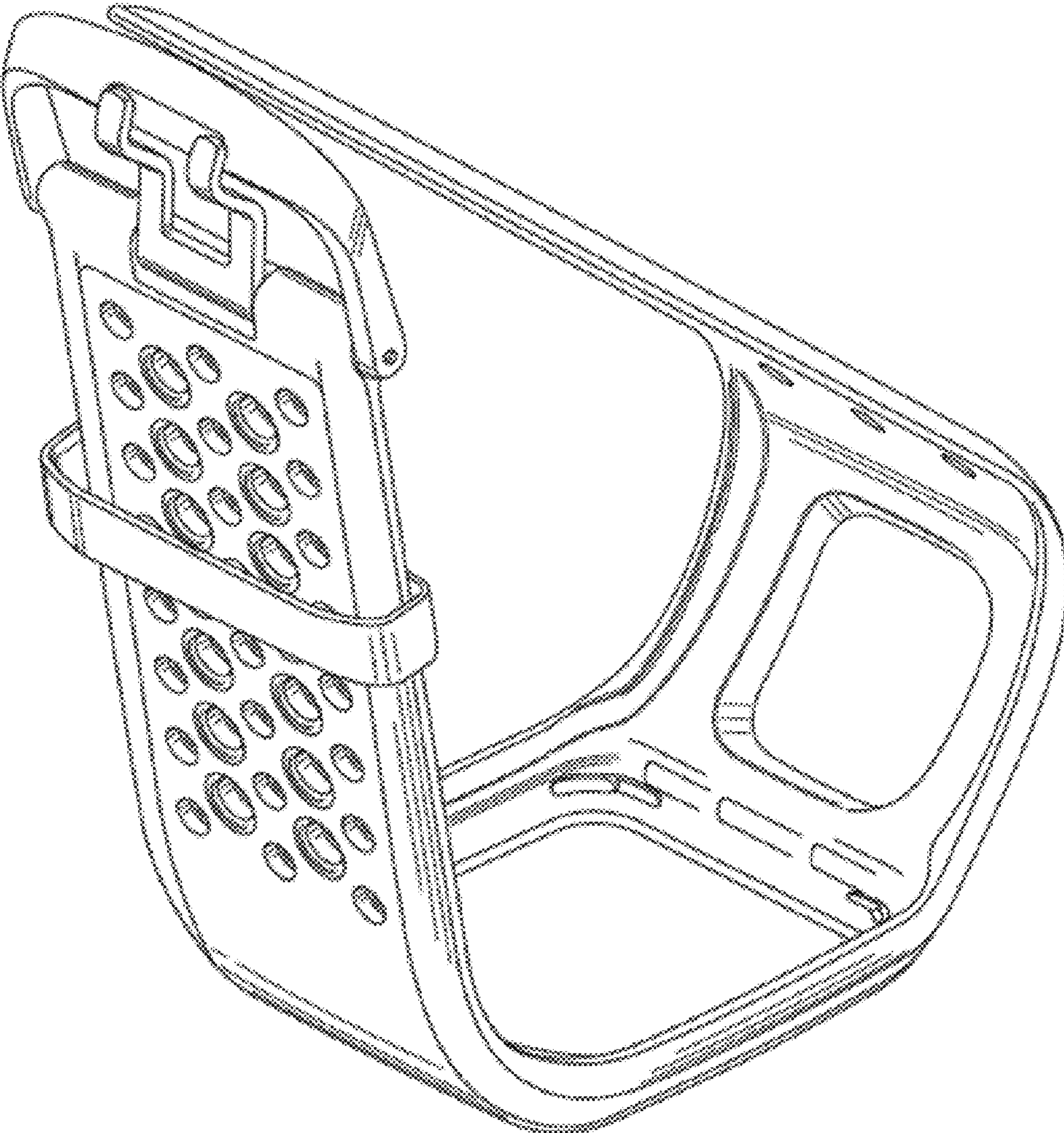


Figure 2

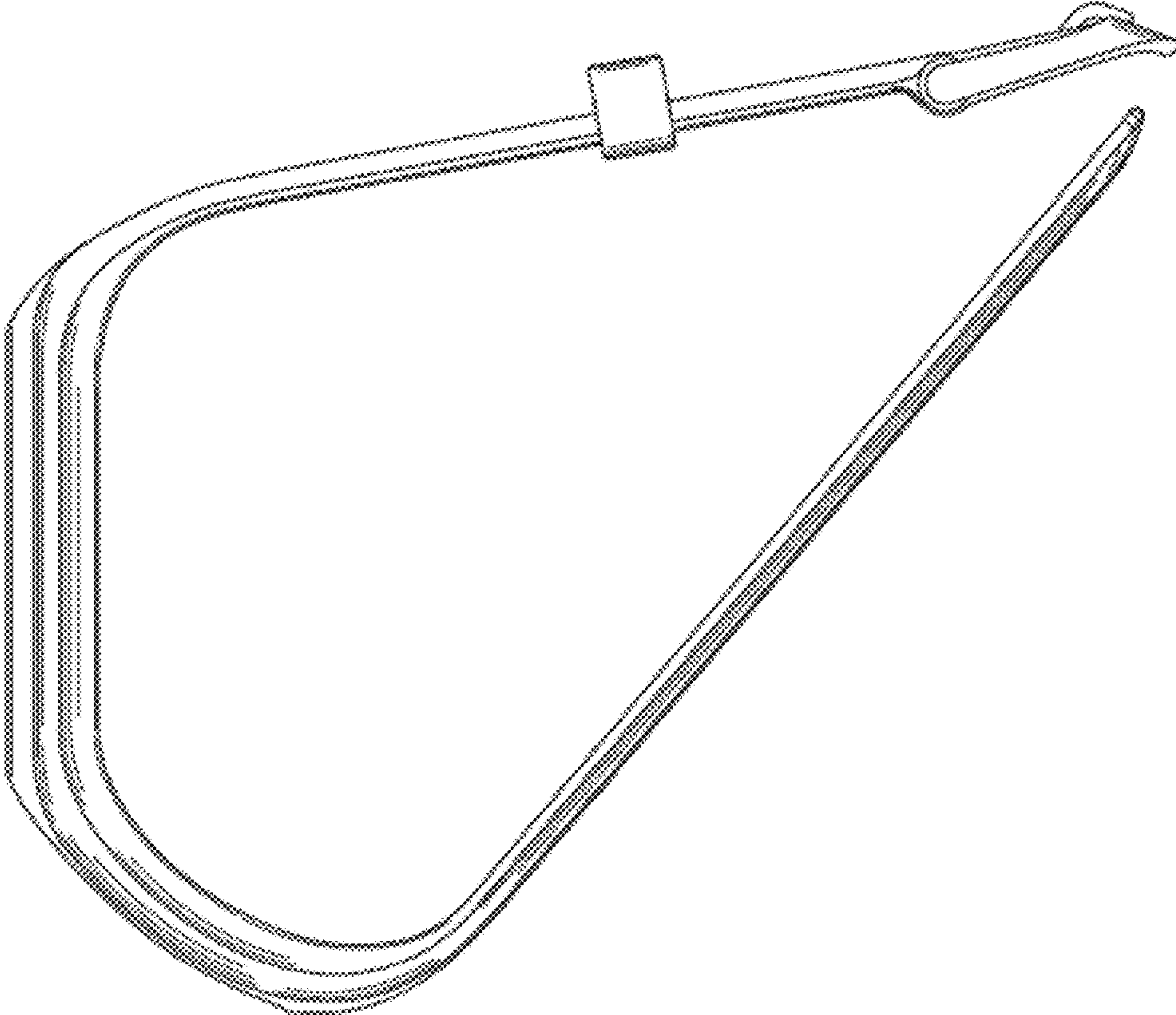


Figure 3

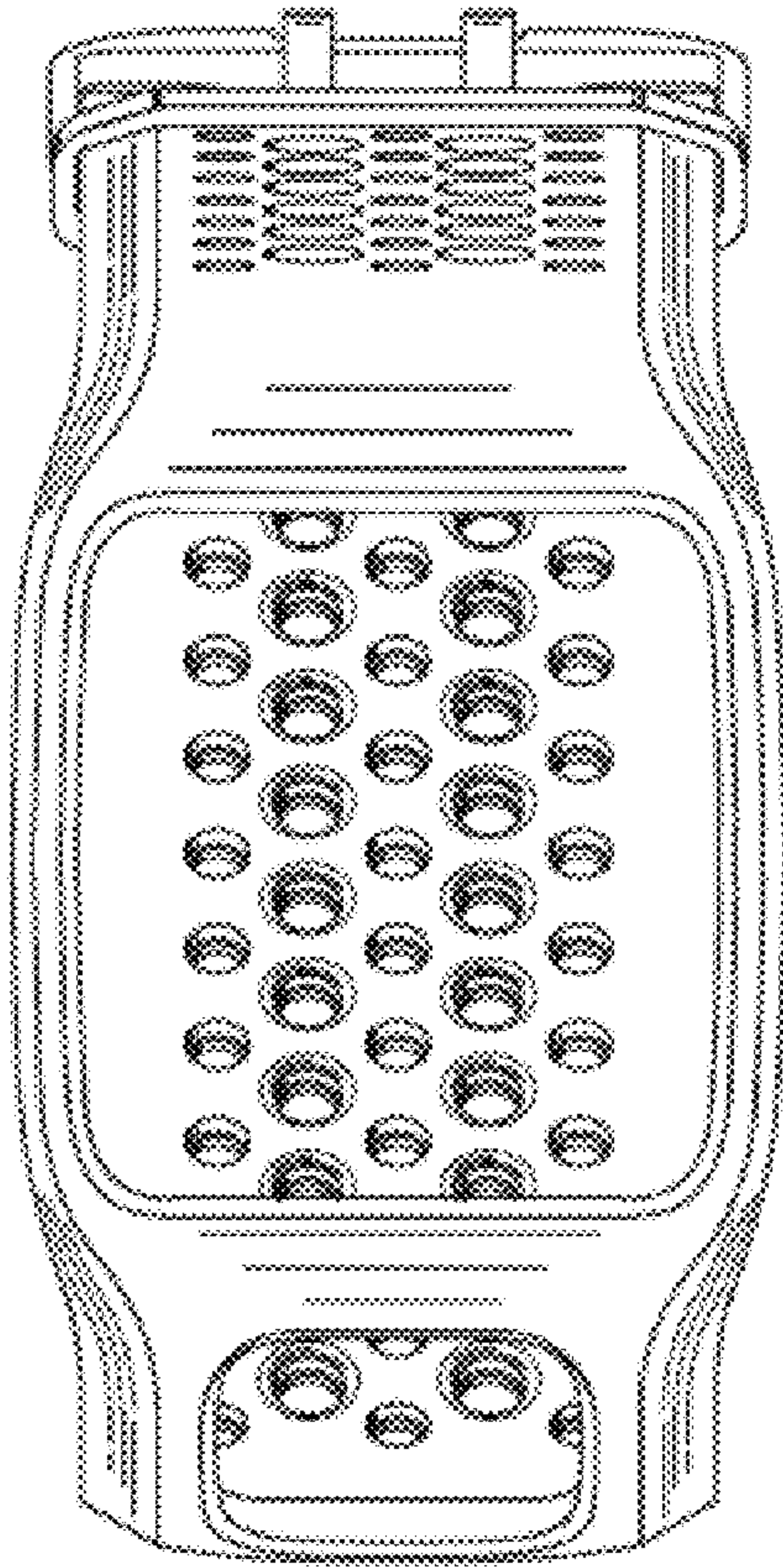


Figure 4

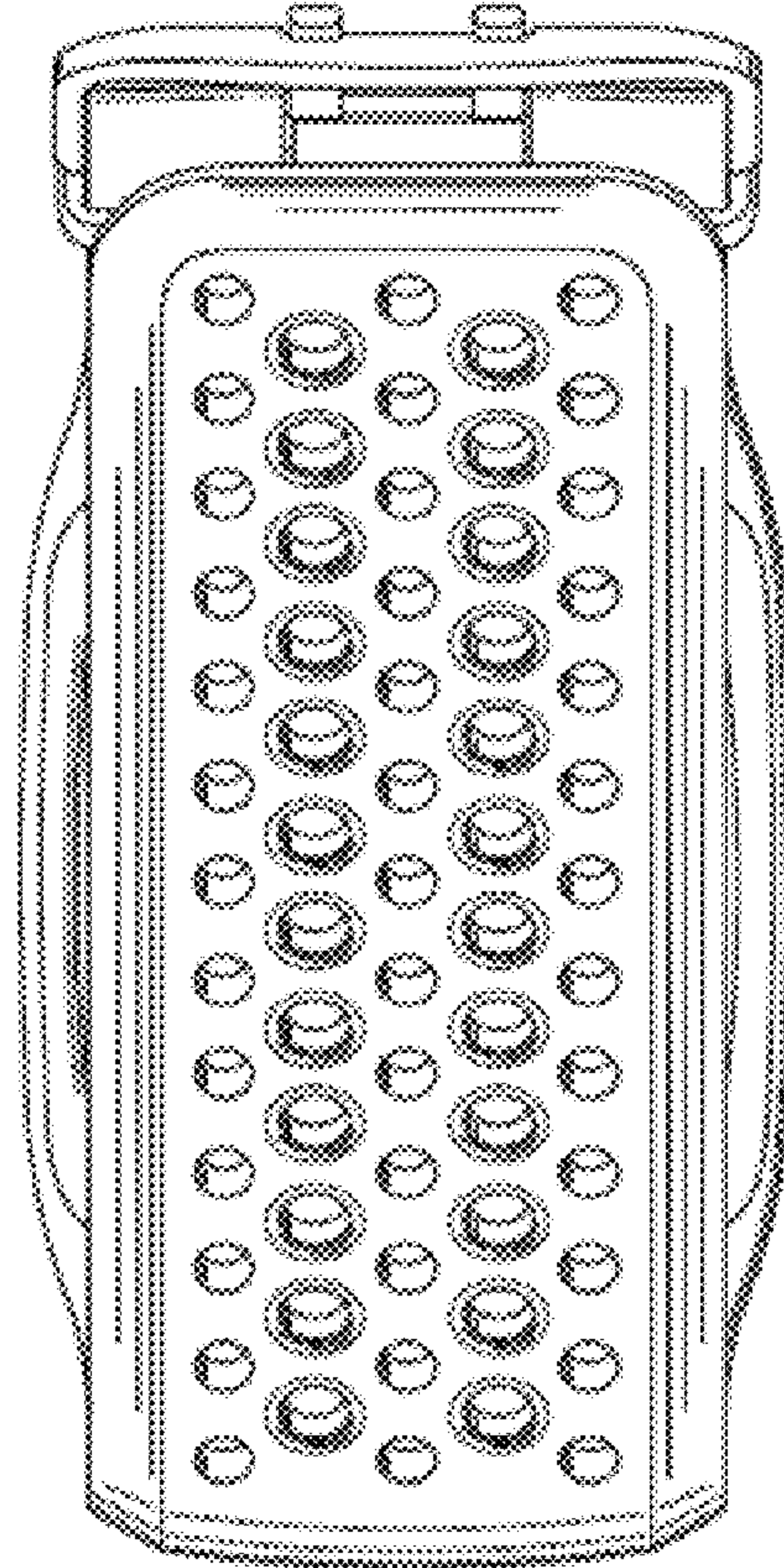


Figure 5

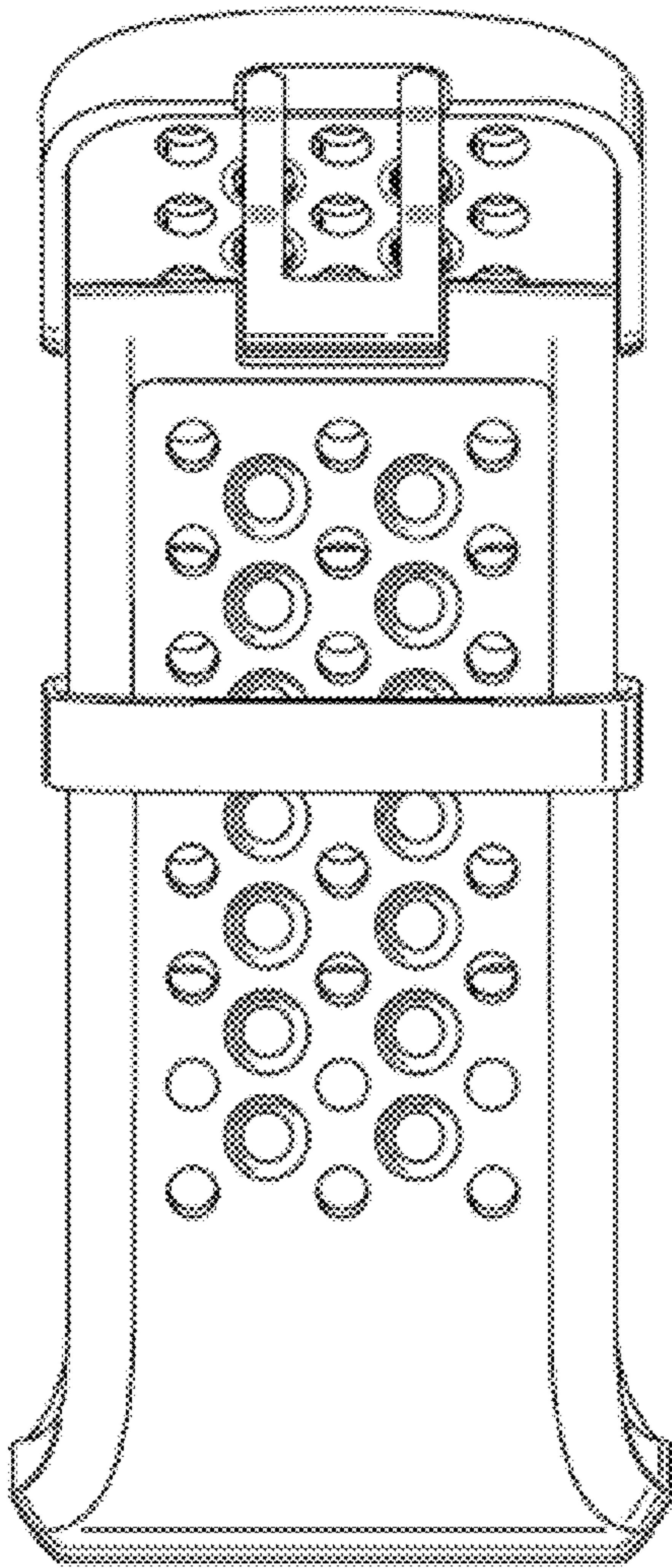


Figure 6

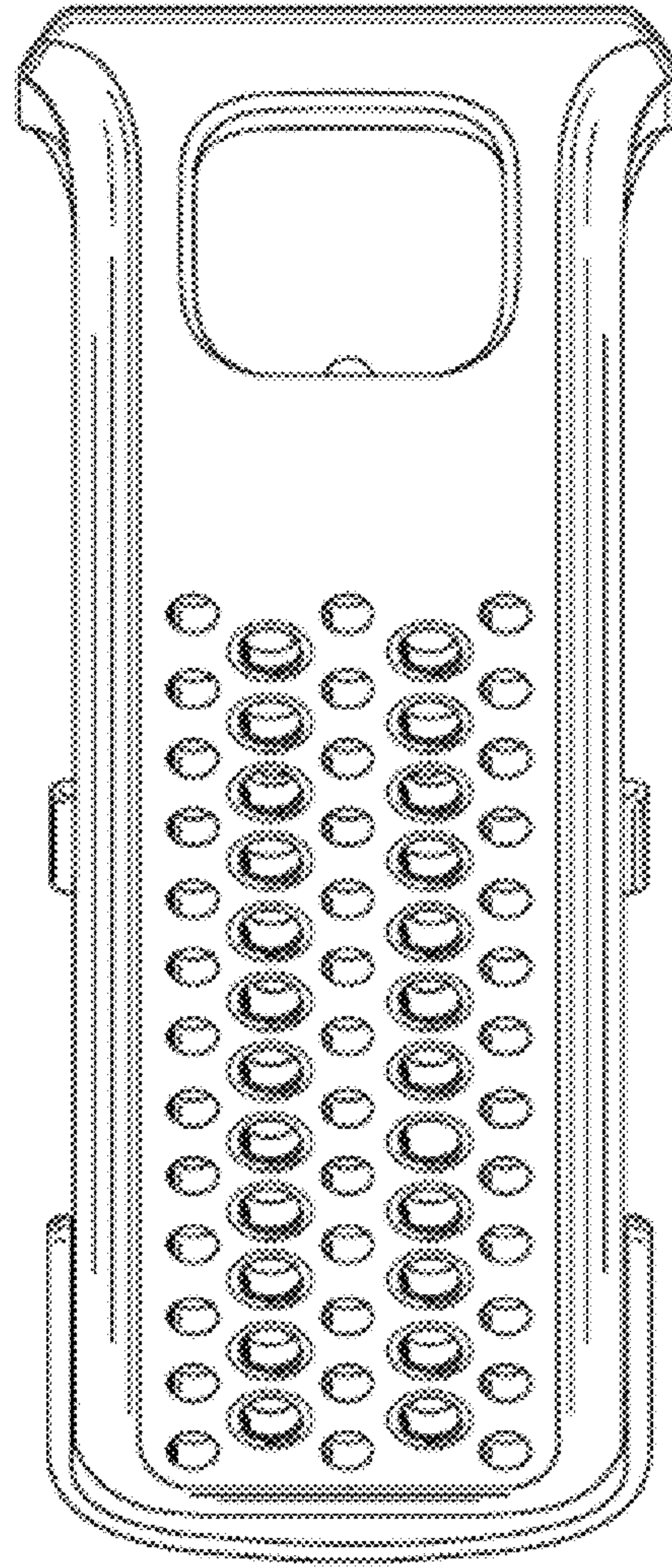


Figure 7