



US00D726047S

(12) **United States Design Patent**
Laurino et al.

(10) **Patent No.:** **US D726,047 S**
(45) **Date of Patent:** **** Apr. 7, 2015**

(54) **MAIN BODY FOR A DATA LOGGER**

(71) Applicant: **Fluke Corporation**, Everett, WA (US)

(72) Inventors: **Ferdinand Y. Laurino**, Seattle, WA (US); **Duncan Kearsley**, Stanwood, WA (US)

(73) Assignee: **Fluke Corporation**, Everett, WA (US)

(**) Term: **14 Years**

(21) Appl. No.: **29/444,908**

(22) Filed: **Feb. 5, 2013**

(51) **LOC (10) Cl.** **10-04**

(52) **U.S. Cl.**
CPC **H04W 88/005** (2013.01); **H04W 88/00** (2013.01)

USPC **D10/78**; D14/341

(58) **Field of Classification Search**

USPC 320/107, 108–115; 345/173–174;
455/556.1; 720/669; D3/216, 218;
D6/466; D8/396; D10/65, 78, 104,
D10/104.1, 105.1, 106.1; D13/78, 103, 108,
D13/110, 139.1–139.7, 158, 171, 184;
D14/138 G, 155, 168, 188, 203.3, 217,
D14/240, 242

See application file for complete search history.

(56) **References Cited**

U.S. PATENT DOCUMENTS

D382,253 S * 8/1997 Claxton et al. D14/339
D404,761 S * 1/1999 Tarpenning et al. D14/341
D422,995 S * 4/2000 Dow et al. D14/453
D460,925 S * 7/2002 Arnoux et al. D10/78
D507,979 S * 8/2005 Robinson et al. D10/65
D541,798 S * 5/2007 Ichida et al. D14/371
D545,784 S * 7/2007 Dayan D14/126
D572,615 S * 7/2008 Gerold D10/78

D649,893 S * 12/2011 Beeke D10/78
D660,190 S * 5/2012 Laurino et al. D10/78
D668,649 S * 10/2012 Burke et al. D14/341
D677,184 S * 3/2013 Kluser et al. D10/78
D688,144 S * 8/2013 Svard et al. D10/78

FOREIGN PATENT DOCUMENTS

EM 001213771-0003 * 8/2010
EM 002080465-0001 * 8/2012

OTHER PUBLICATIONS

Press Kit—Intel® Reader [online]. Intel Corporation, 2009 [retrieved on Jan. 31, 2014]. Retrieved from the Internet: <URL: <http://www.intel.com/pressroom/kits/healthcare/reader/>>.*

(Continued)

Primary Examiner — Deanna L Pratt

(74) *Attorney, Agent, or Firm* — Christensen O'Connor Johnson Kindness PLLC

(57) **CLAIM**

The ornamental design for a main body for a data logger, as shown and described.

DESCRIPTION

FIG. 1 is a top perspective view of a main body for a data logger.

FIG. 2 is a bottom perspective view thereof.

FIG. 3 is a back top perspective view thereof.

FIG. 4 is a front view thereof.

FIG. 5 is a back view thereof.

FIG. 6 is a top view thereof.

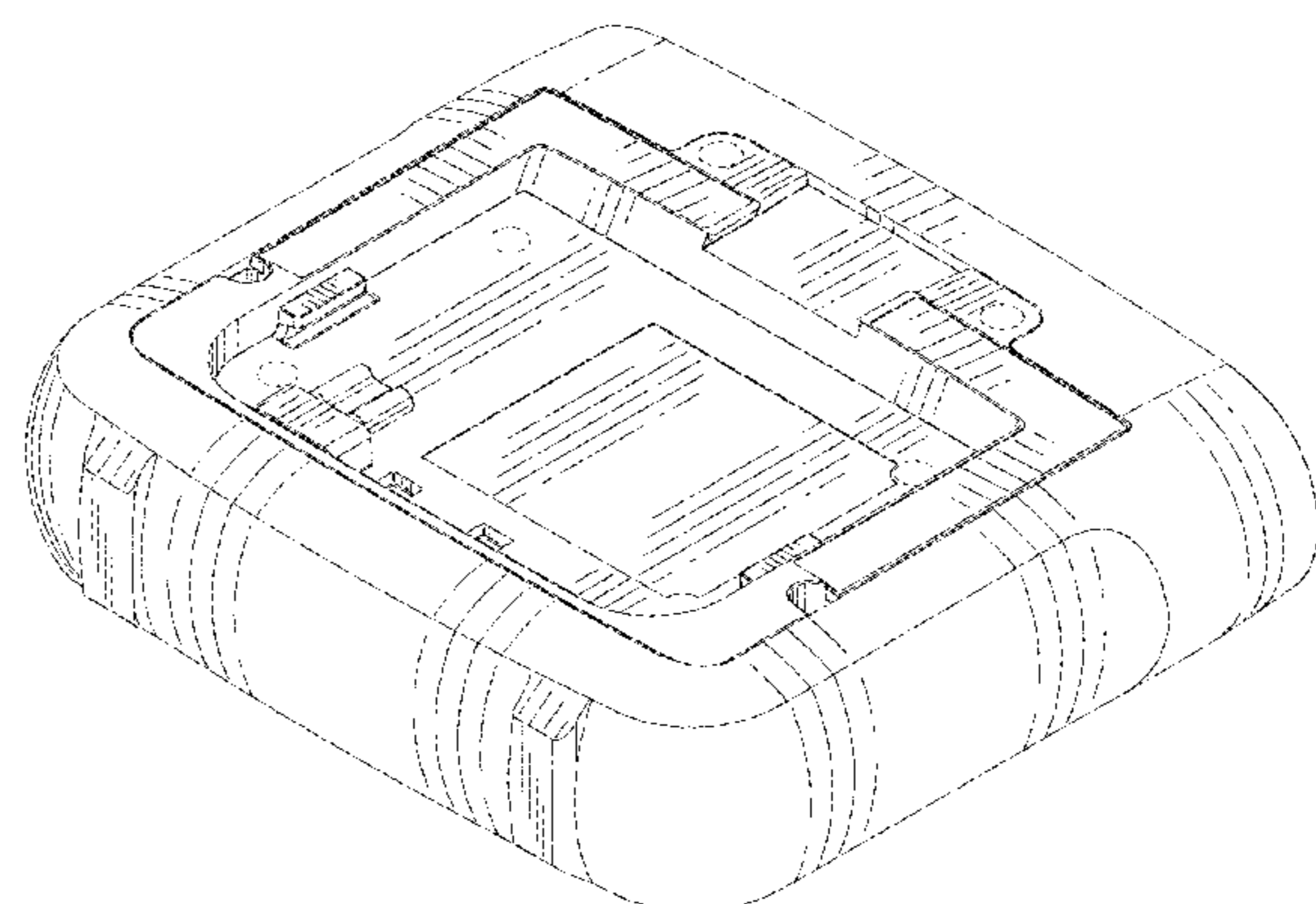
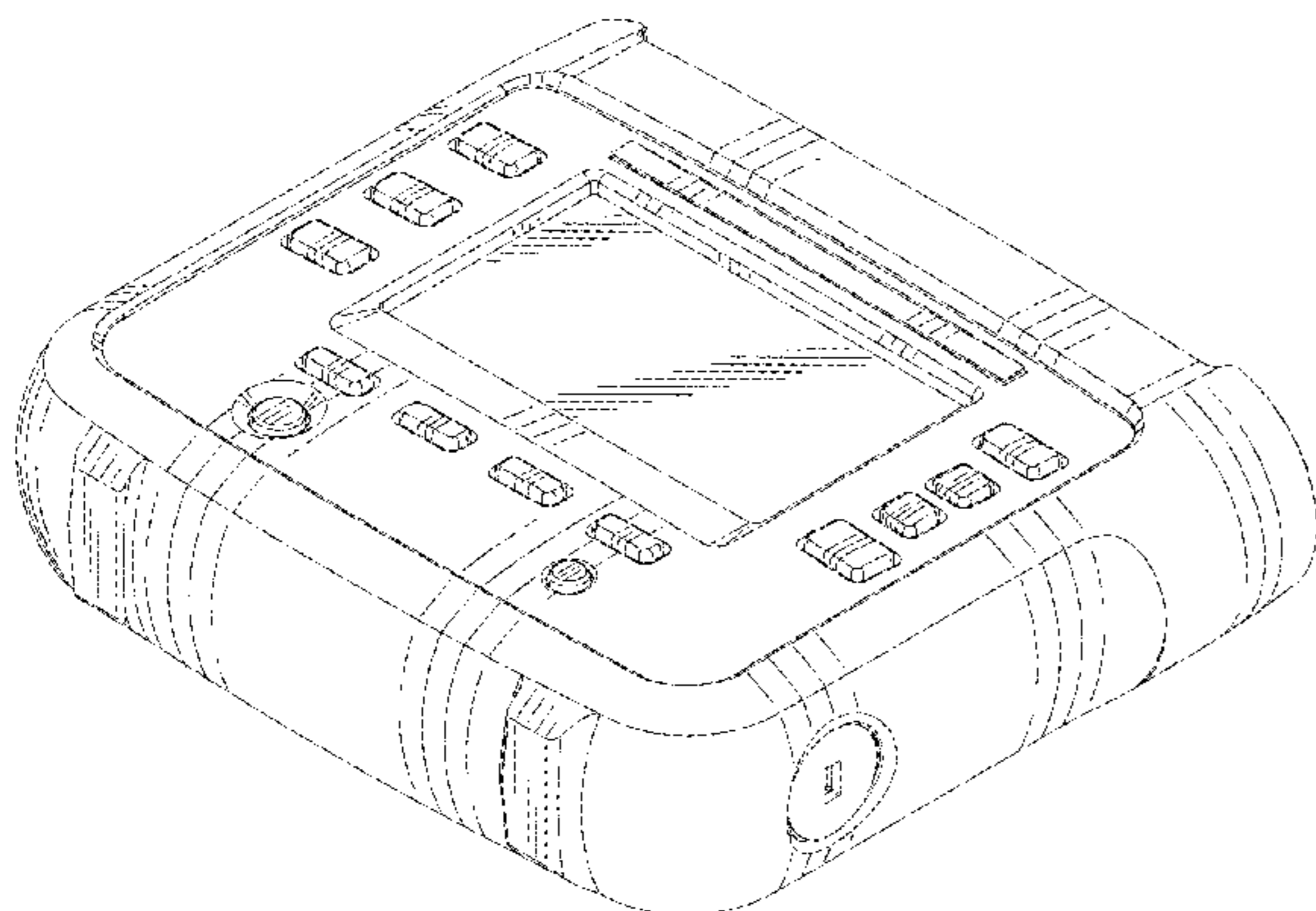
FIG. 7 is a bottom view thereof.

FIG. 8 is a right view thereof; and,

FIG. 9 is a left view thereof.

The broken lines in the drawings illustrate portions of the main body for a data logger that form no part of the claimed design.

1 Claim, 7 Drawing Sheets



(56)

References Cited

OTHER PUBLICATIONS

First-of-a-Kind, Handheld Device Brings Magic of Disney Theme Parks to Guests with Disabilities [online]. LaughingPlace.com, 2009 [retrieved on Jan. 31, 2014]. Retrieved from the Internet: <URL: <http://www.laughingplace.com/News-ID10033710.asp>>.*

Fluke 810 Handheld Vibration Tester, LCD Display, 0.1 rpm Resolution, 32 to 122 Degrees F Temperature Range, 10.52" Width x 7.30" Height x 2.76" Depth [online]. Amazon.com, 2014 [retrieved on Jan. 31, 2014]. Retrieved from the Internet: <URL: <http://www.amazon.com/Fluke-Handheld-Vibration-Resolution-Temperature/dp/B0071CD1LI>>.*

* cited by examiner

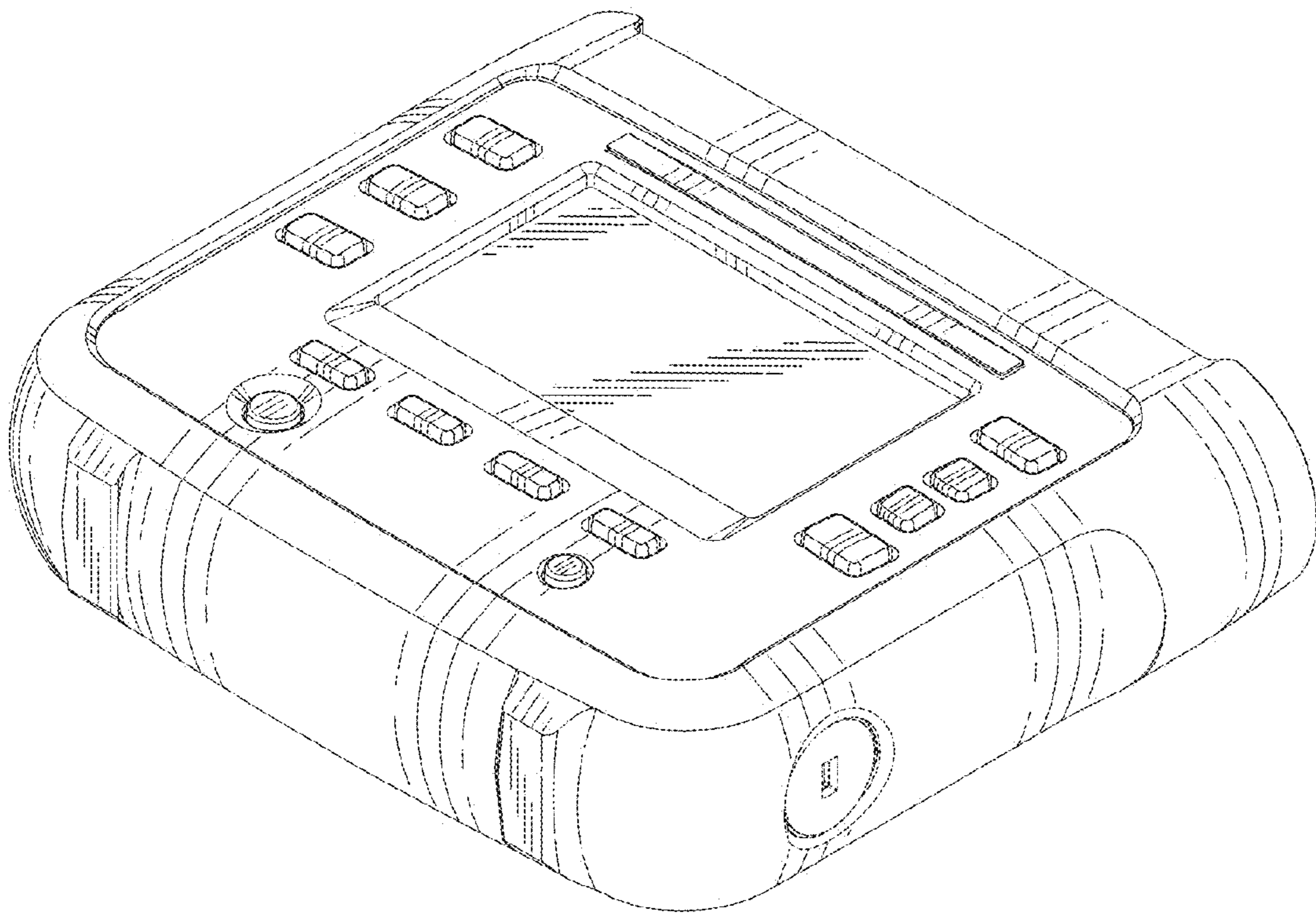


FIG. 1

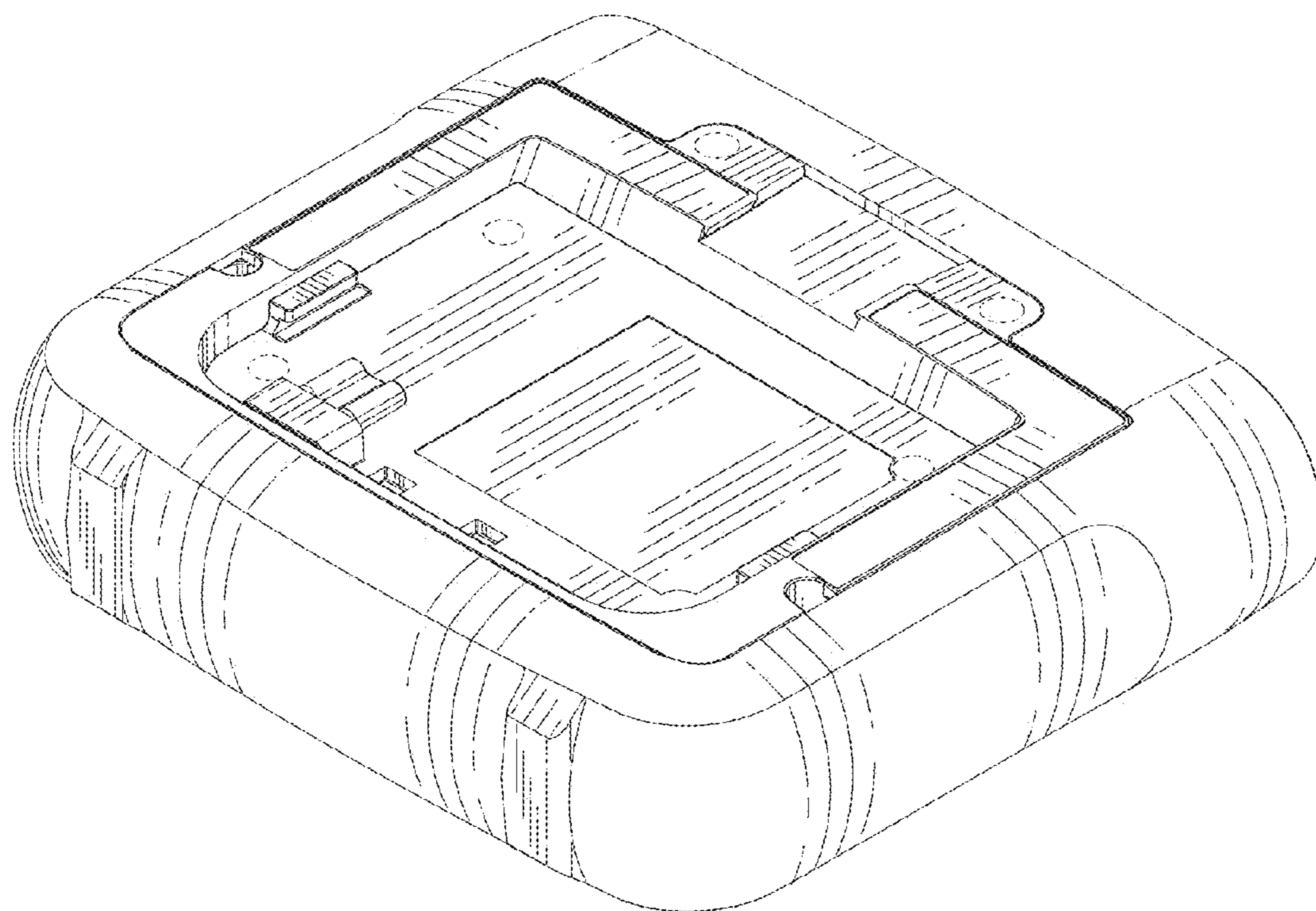


FIG. 2

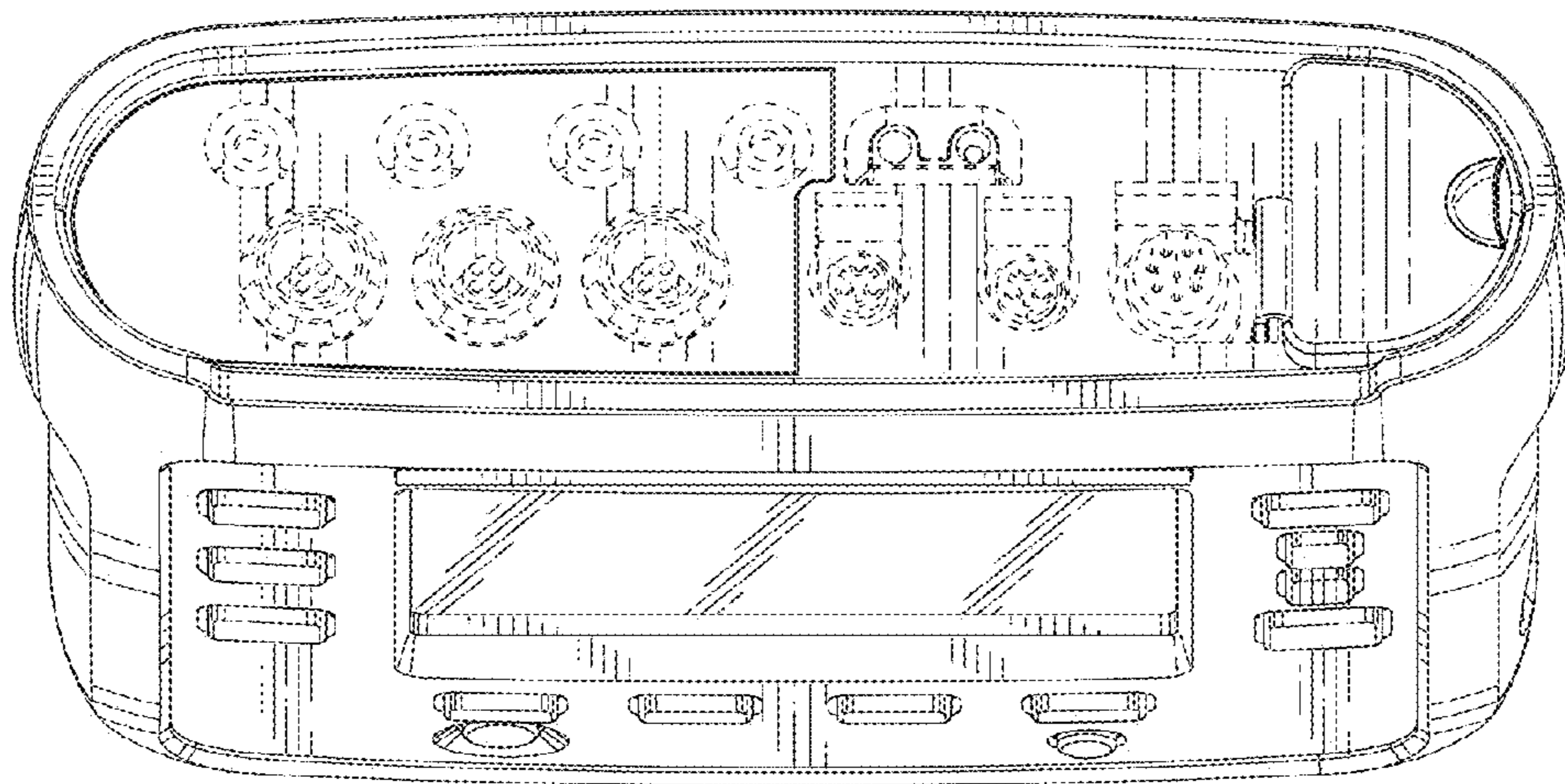


FIG. 3

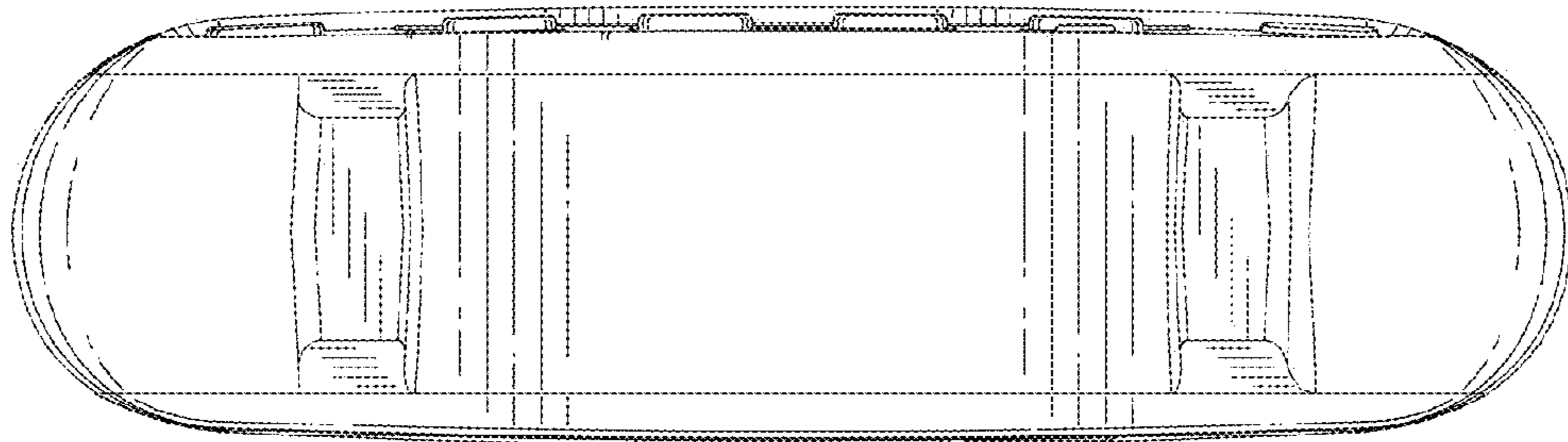


FIG. 4

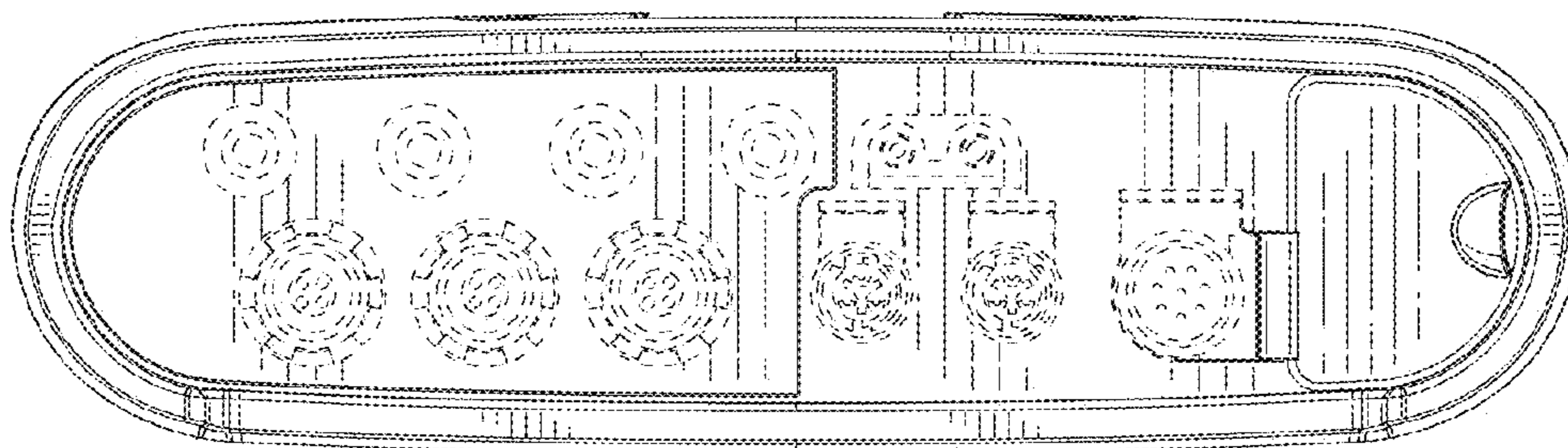


FIG. 5

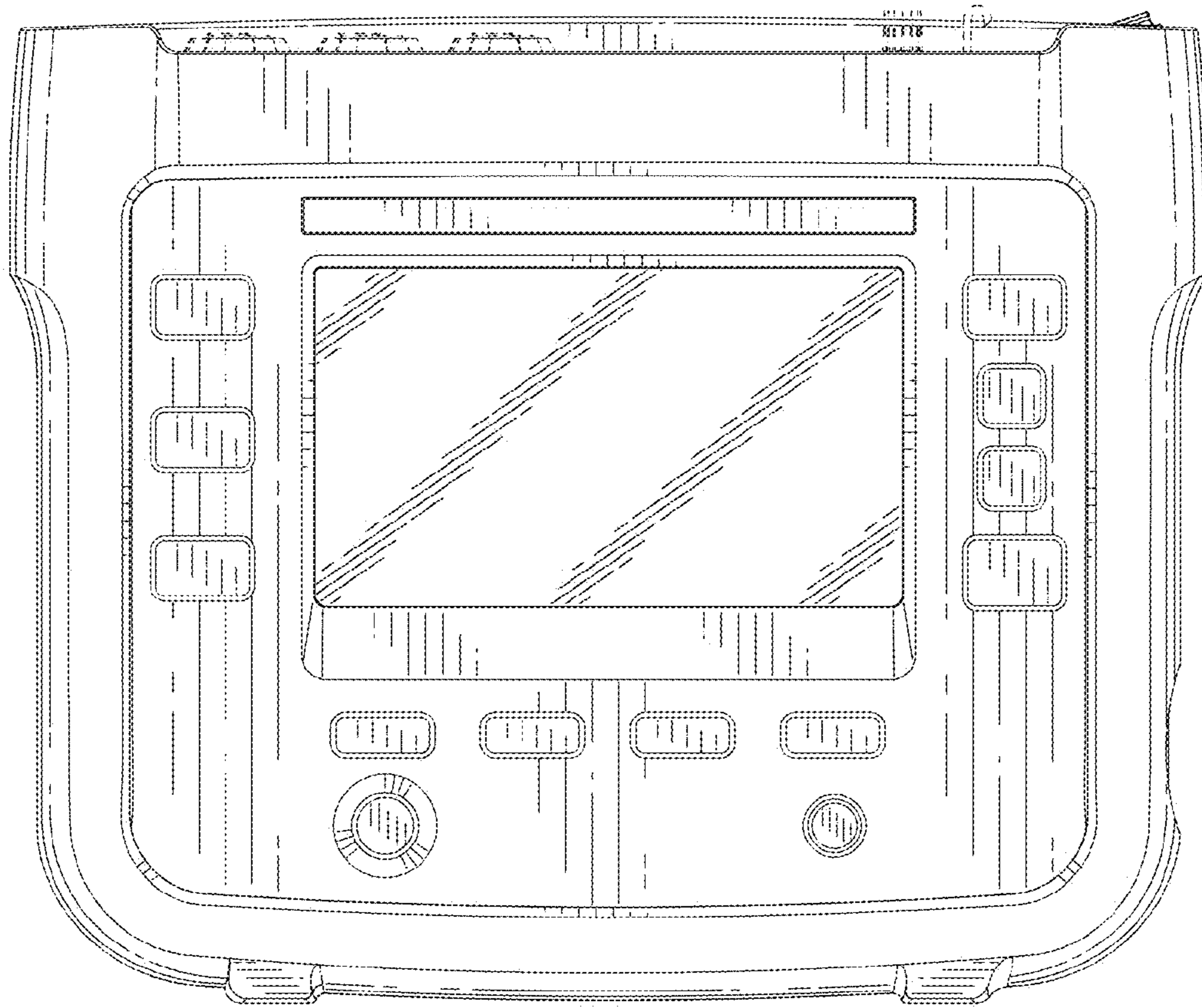


FIG. 6

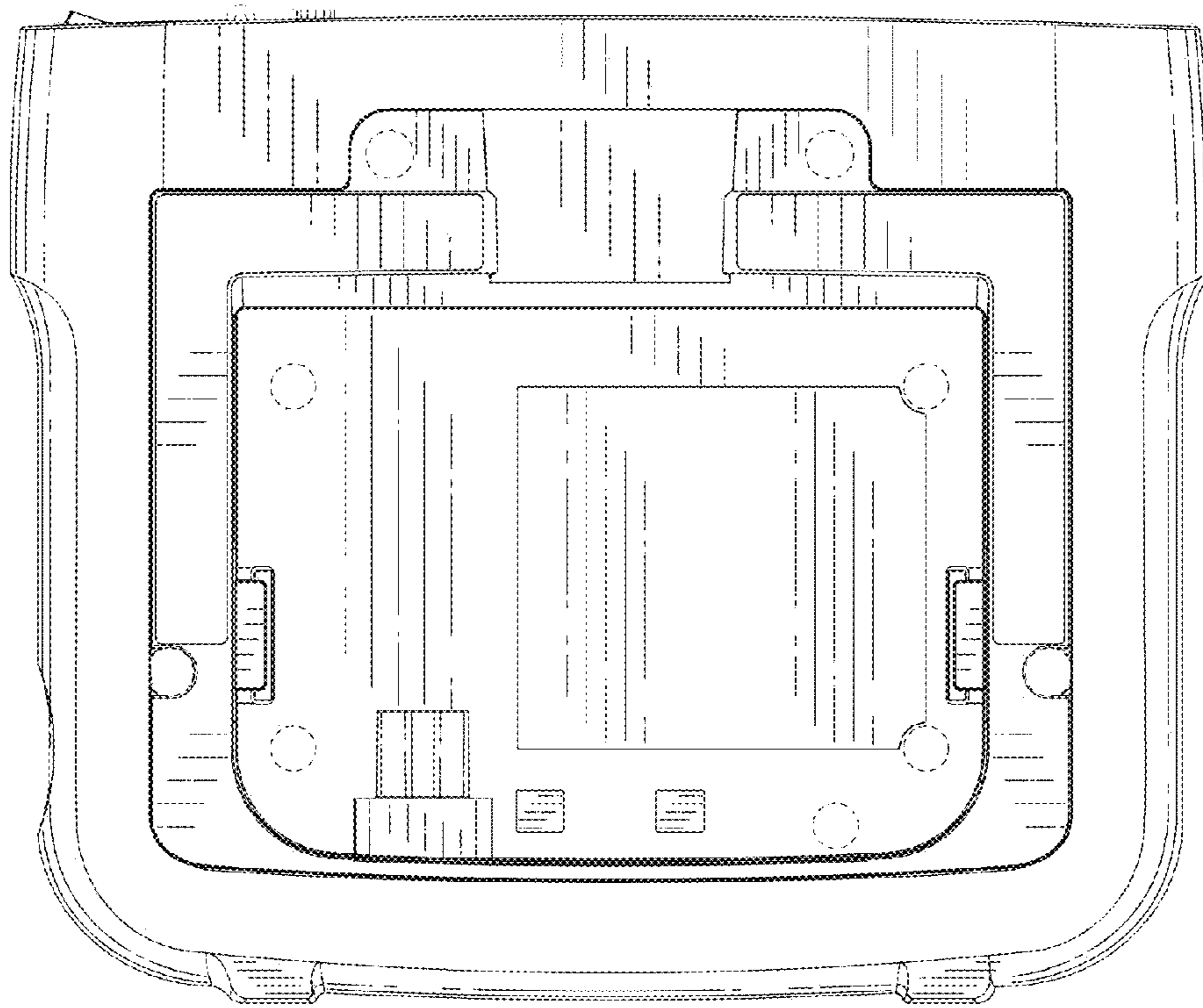


FIG. 7

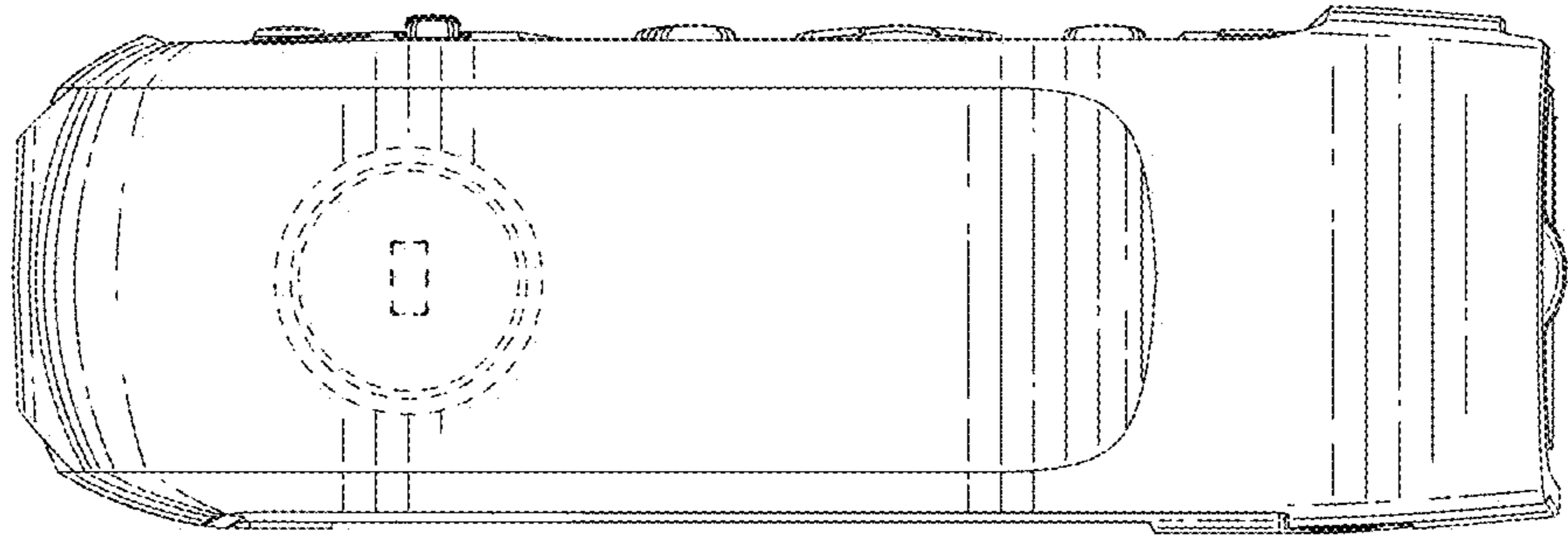


FIG. 8

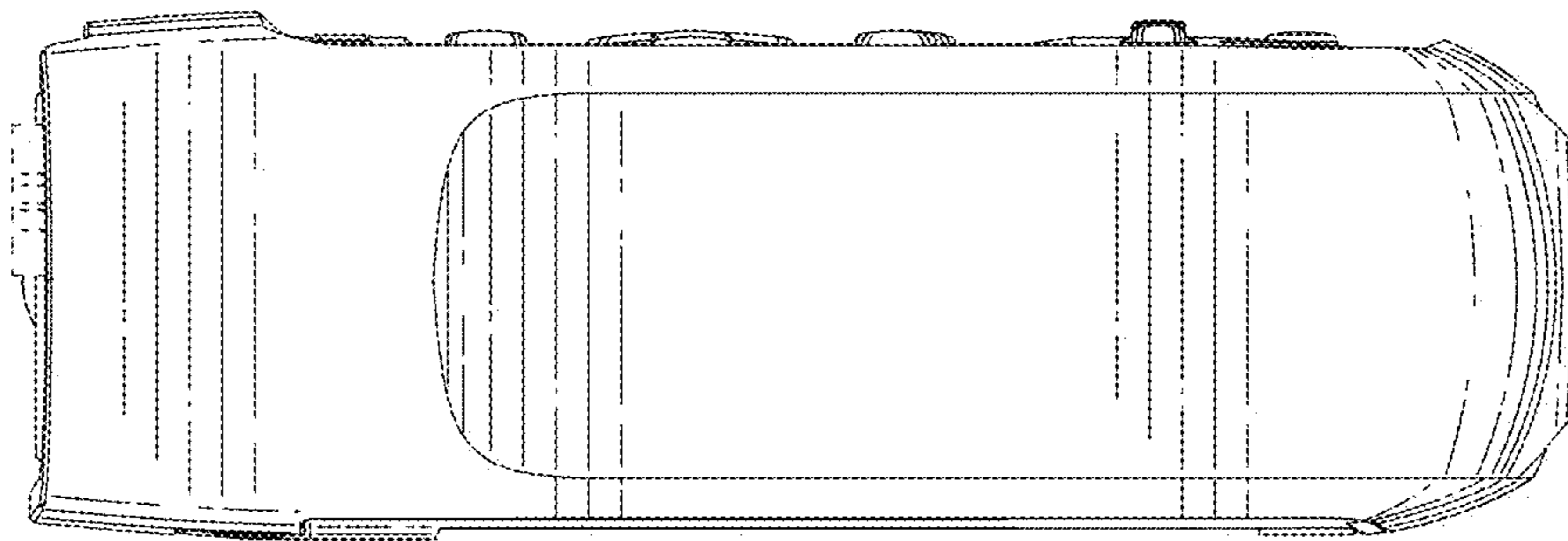


FIG. 9