



US00D726046S

(12) **United States Design Patent**  
**Linson**

(10) **Patent No.:** **US D726,046 S**

(45) **Date of Patent:** **\*\* Apr. 7, 2015**

(54) **VEHICLE SERVICE SYSTEM CONSOLE CABINET**

(71) Applicant: **Hunter Engineering Company**, St. Louis, MO (US)

(72) Inventor: **Dennis Linson**, St. Charles, MO (US)

(73) Assignee: **Hunter Engineering Company**, St. Louis, MO (US)

(\*\*) Term: **14 Years**

(21) Appl. No.: **29/469,846**

(22) Filed: **Oct. 15, 2013**

(51) **LOC (10) Cl.** ..... **10-04**

(52) **U.S. Cl.**  
USPC ..... **D10/75**

(58) **Field of Classification Search**

CPC .. G07C 5/008; G07C 5/0808; G07C 2205/02;  
H01D 5/00; G06F 1/166; G06F 1/1656;  
G06F 1/1626; G06F 1/1609; G06F 1/637;  
G06F 3/03547; G01M 17/00; G01R 31/007;  
G01R 31/3648; G01R 31/3693; G01R  
31/3627; F17D 1/08; F02P 17/08  
USPC ..... D10/75, 78; 73/114.01, 114.58;  
123/520; 174/50, 650; 191/12 R;  
235/462.15; 324/402, 538, 503, 121 R,  
324/379; 340/439, 933; 701/29.1–34.4,  
701/101–103; 702/57; 361/827, 828; 137/1,  
137/344; 345/11, 169, 440.1; 360/6, 53;  
379/68, 69, 93.17; 714/25; 715/835  
See application file for complete search history.

(56) **References Cited**

**U.S. PATENT DOCUMENTS**

D215,493 S \* 10/1969 Burrige ..... D10/81  
4,399,407 A \* 8/1983 Kling et al. .... 324/379

(Continued)

**OTHER PUBLICATIONS**

Hunter Engineering Company product literature, "WinAlign WA300 Series Consoles", Form No. 6362-T, May 2012, 2 pages.

*Primary Examiner* — Antoine D Davis

(74) *Attorney, Agent, or Firm* — Polster, Lieder, Woodruff & Lucchesi, L.C.

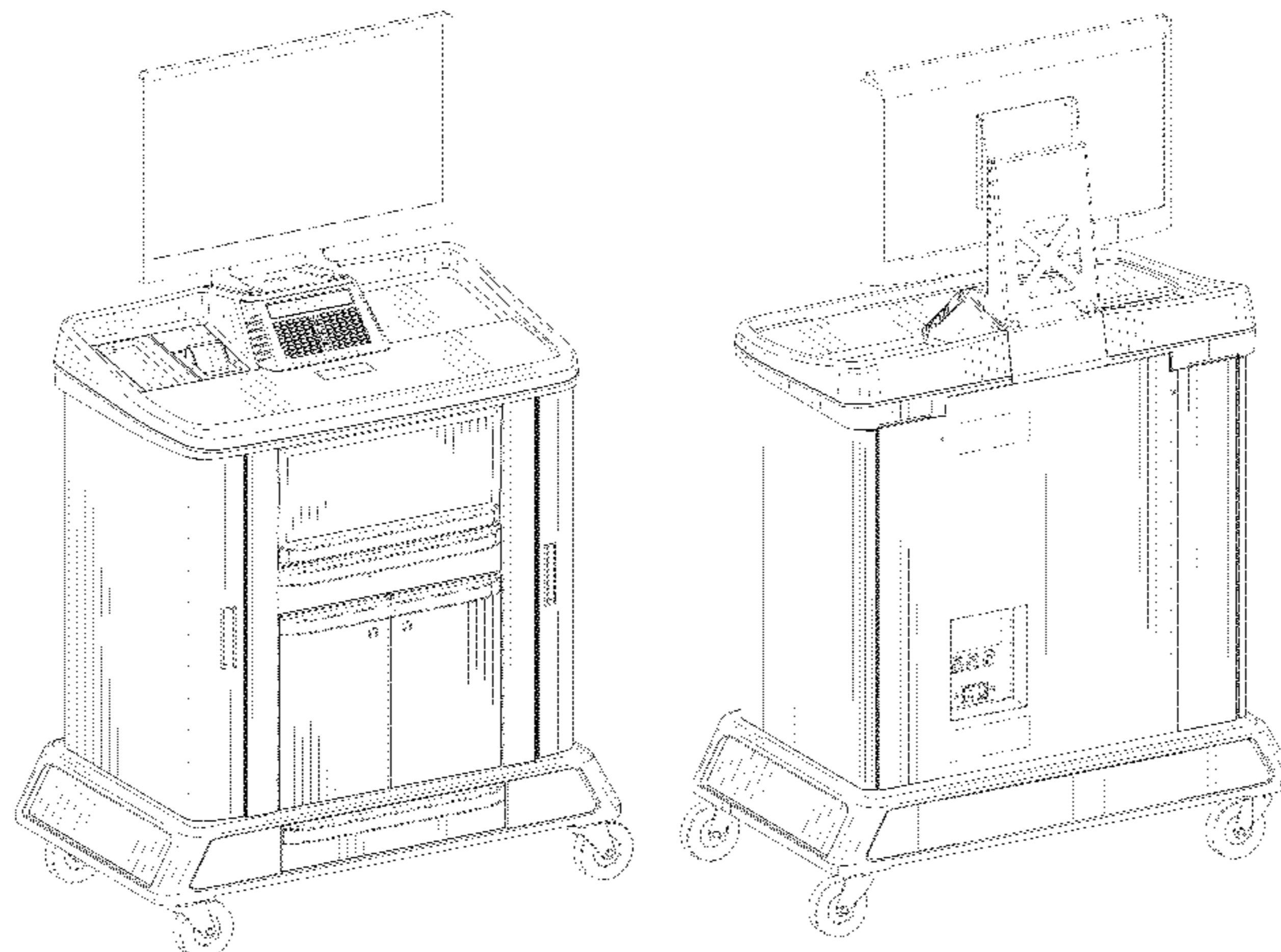
(57) **CLAIM**

The ornamental design for vehicle service system console cabinet, as shown and described.

**DESCRIPTION**

FIG. 1 is a front perspective view of a vehicle service system console cabinet with side doors;  
FIG. 2 is a rear perspective view of the vehicle service system console cabinet with side doors;  
FIG. 3 is a front elevational view of the vehicle service system console cabinet with side doors;  
FIG. 4 is a right elevational view of the vehicle service system console cabinet with side doors;  
FIG. 5 is a rear elevational view of the vehicle service system console cabinet with side doors;  
FIG. 6 is a left elevational view of the vehicle service system console cabinet with side doors;  
FIG. 7 is a top plan view of the vehicle service system console cabinet with side doors;  
FIG. 8 is a bottom plan view of the vehicle service system console cabinet with side doors;  
FIG. 9 is a front perspective view of a vehicle service system console cabinet without side doors;  
FIG. 10 is a rear perspective view of the vehicle service system console cabinet without side doors;  
FIG. 11 is a front elevational view of the vehicle service system console cabinet without side doors;  
FIG. 12 is a right elevational view of the vehicle service system console cabinet without side doors;  
FIG. 13 is a rear elevational view of the vehicle service system console cabinet without side doors;  
FIG. 14 is a left elevational view of the vehicle service system console cabinet without side doors;  
FIG. 15 is a top plan view of the vehicle service system console cabinet without side doors; and,  
FIG. 16 is a bottom plan view of the vehicle service system console cabinet without side doors.  
The elements in dashed lines do not form a part of the claimed design.

**1 Claim, 14 Drawing Sheets**



(56)

**References Cited**

U.S. PATENT DOCUMENTS

D299,345 S *	1/1989	Foy et al. ....	D10/75	D329,390 S *	9/1992	Alfonso et al. ....	D10/75
D299,764 S *	2/1989	Oberheim ....	D28/35	D329,819 S *	9/1992	Bottcher et al. ....	D10/75
D313,947 S *	1/1991	Shaffer et al. ....	D10/75	D334,894 S *	4/1993	Timm ....	D10/75
5,034,893 A *	7/1991	Fisher ....	701/99	D342,909 S *	1/1994	Marchais ....	D10/75
5,063,515 A *	11/1991	Kunst et al. ....	701/99	D433,346 S *	11/2000	Evans et al. ....	D10/75
				7,584,030 B1 *	9/2009	Graham ....	701/33.3
				2014/0081527 A1 *	3/2014	Miller et al. ....	701/48
				2014/0182684 A1 *	7/2014	McMasters ....	137/1

\* cited by examiner



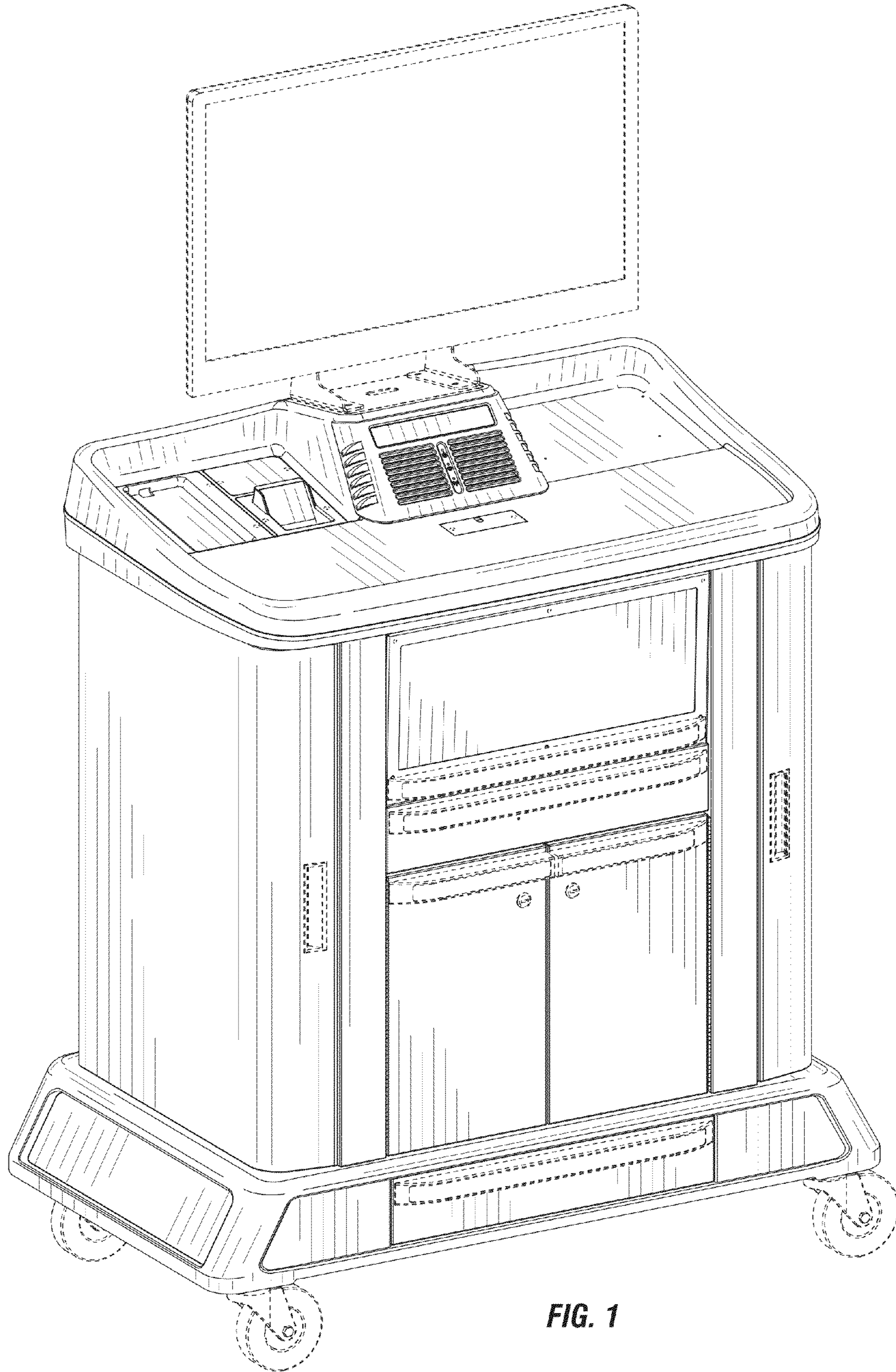


FIG. 1

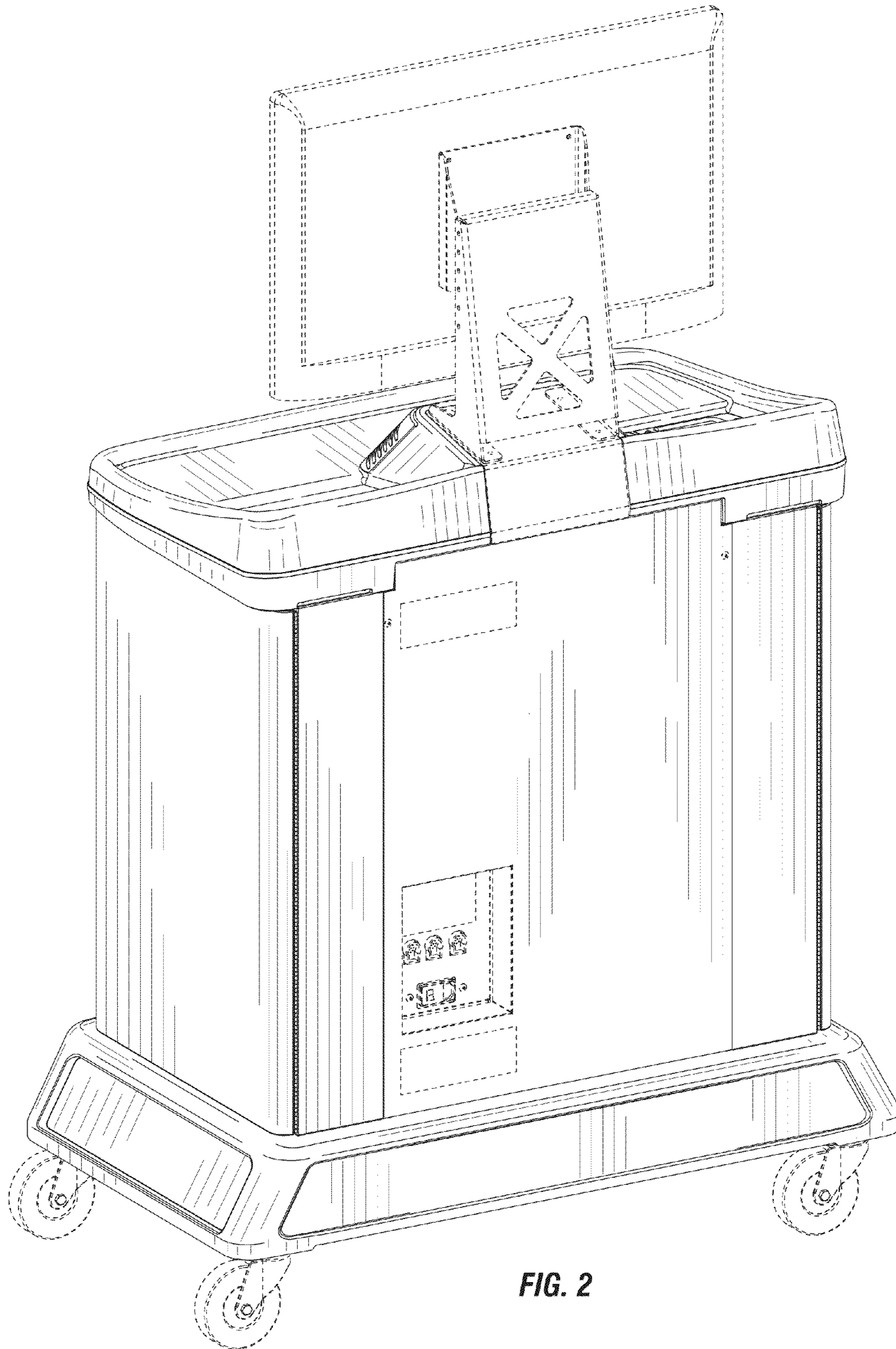


FIG. 2



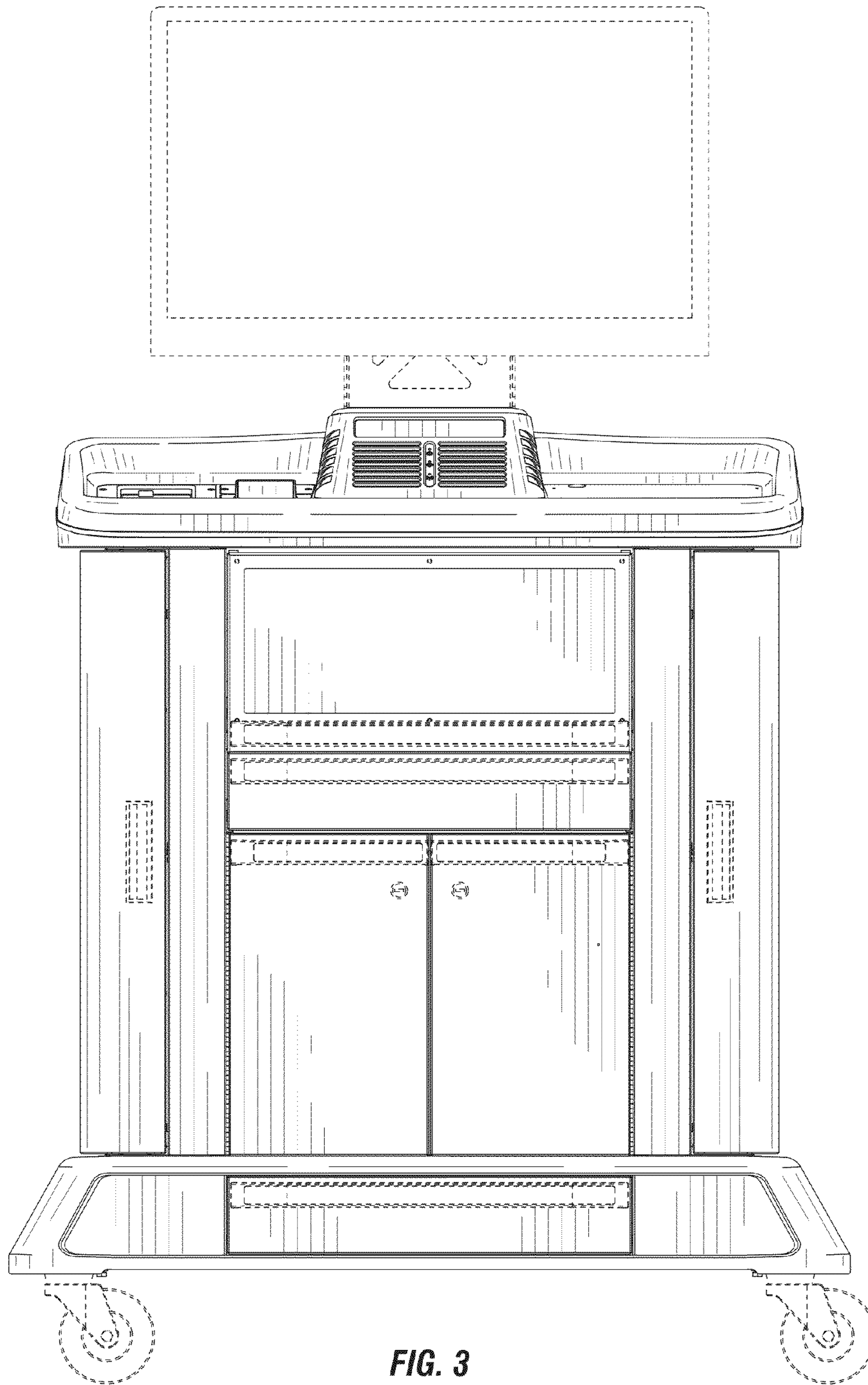


FIG. 3

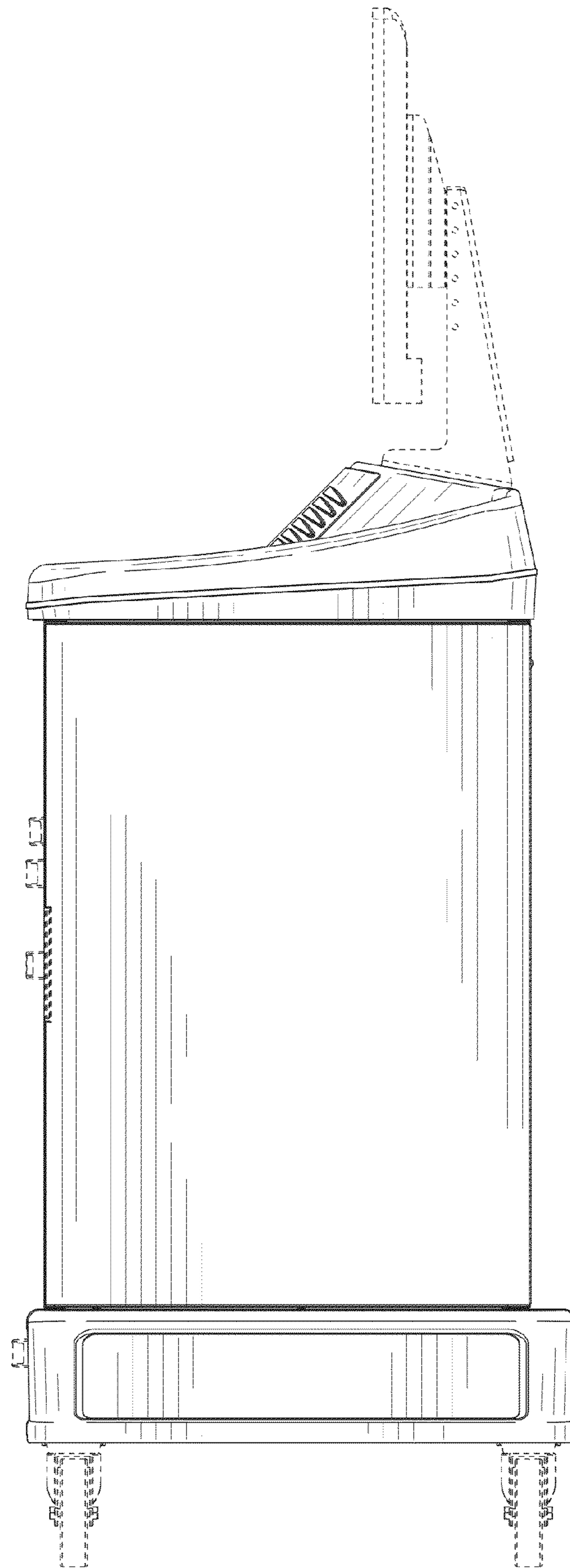


FIG. 4

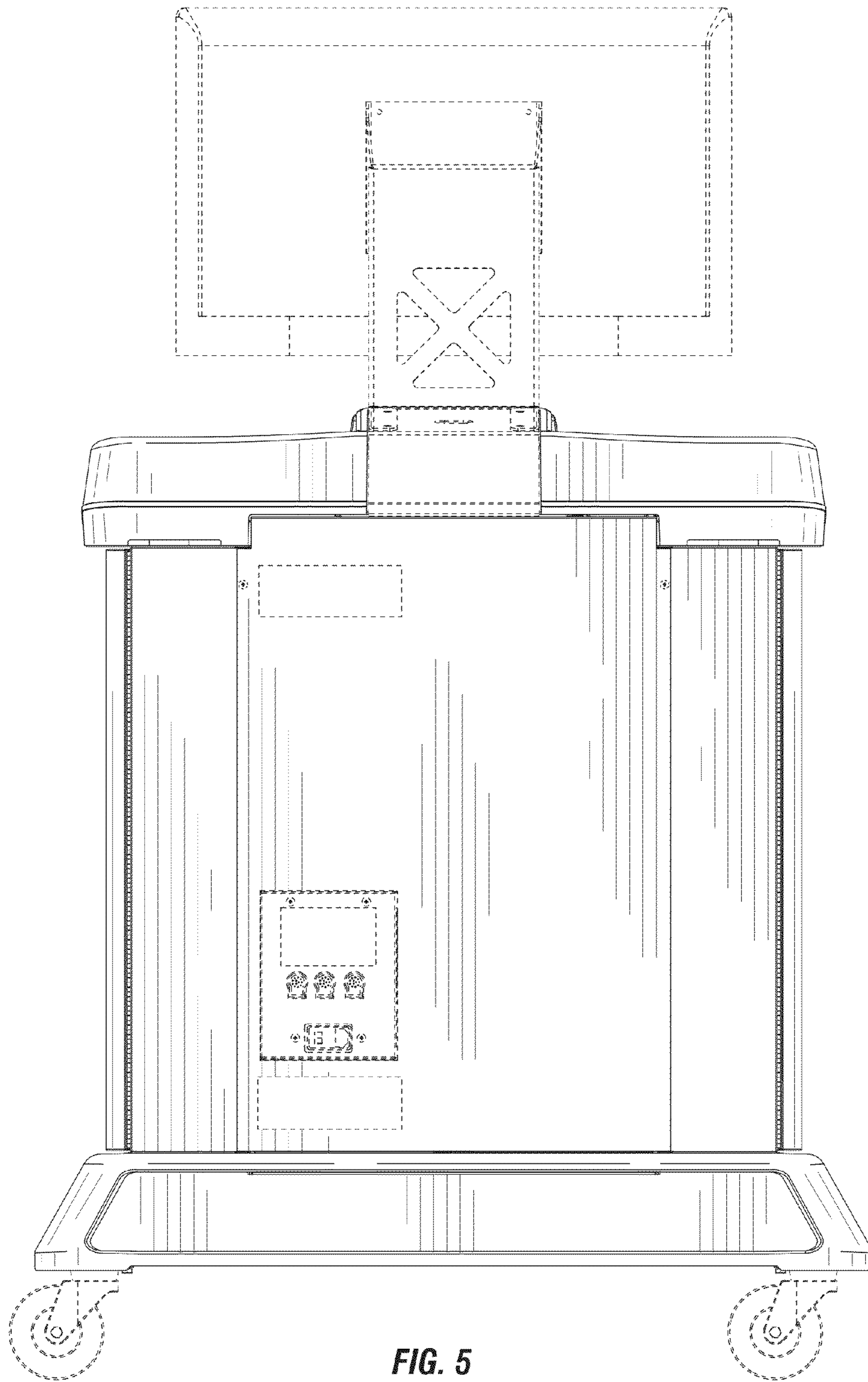


FIG. 5

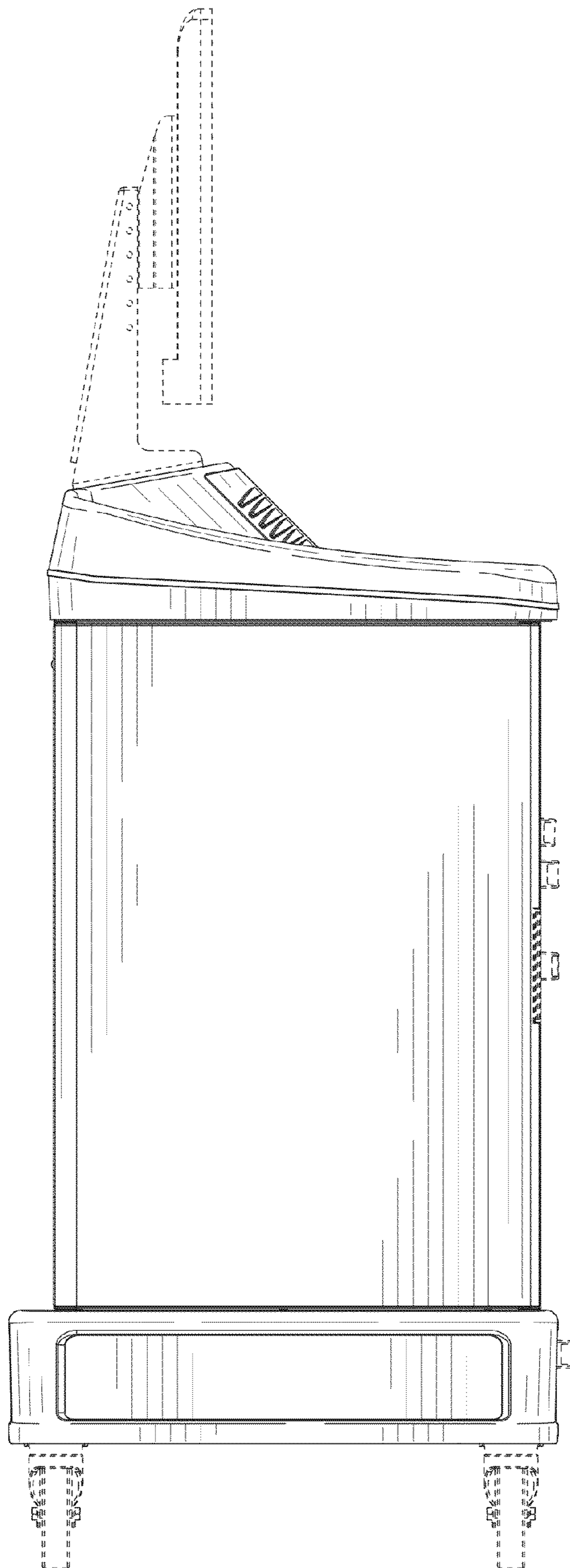


FIG. 6



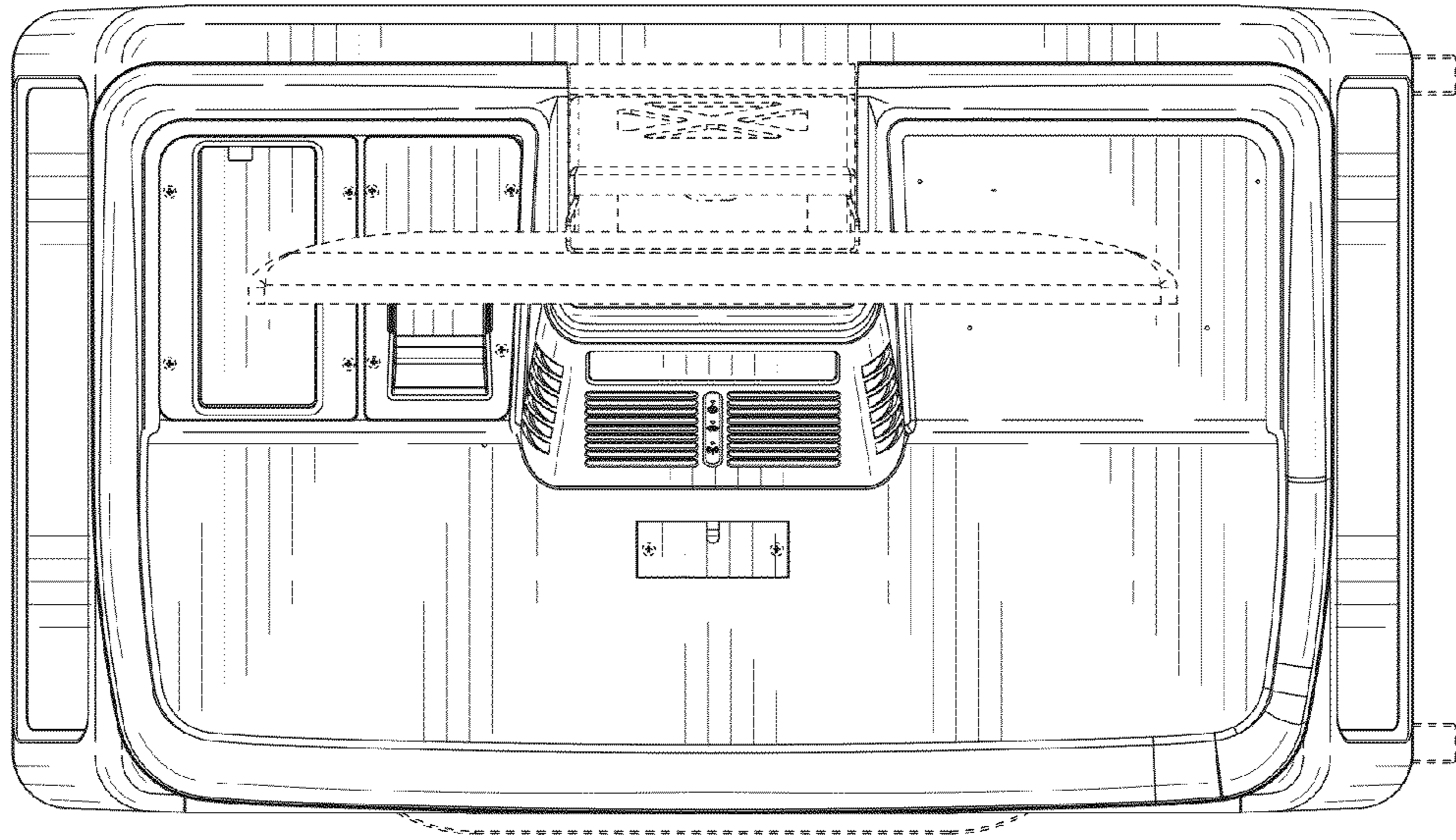


FIG. 7

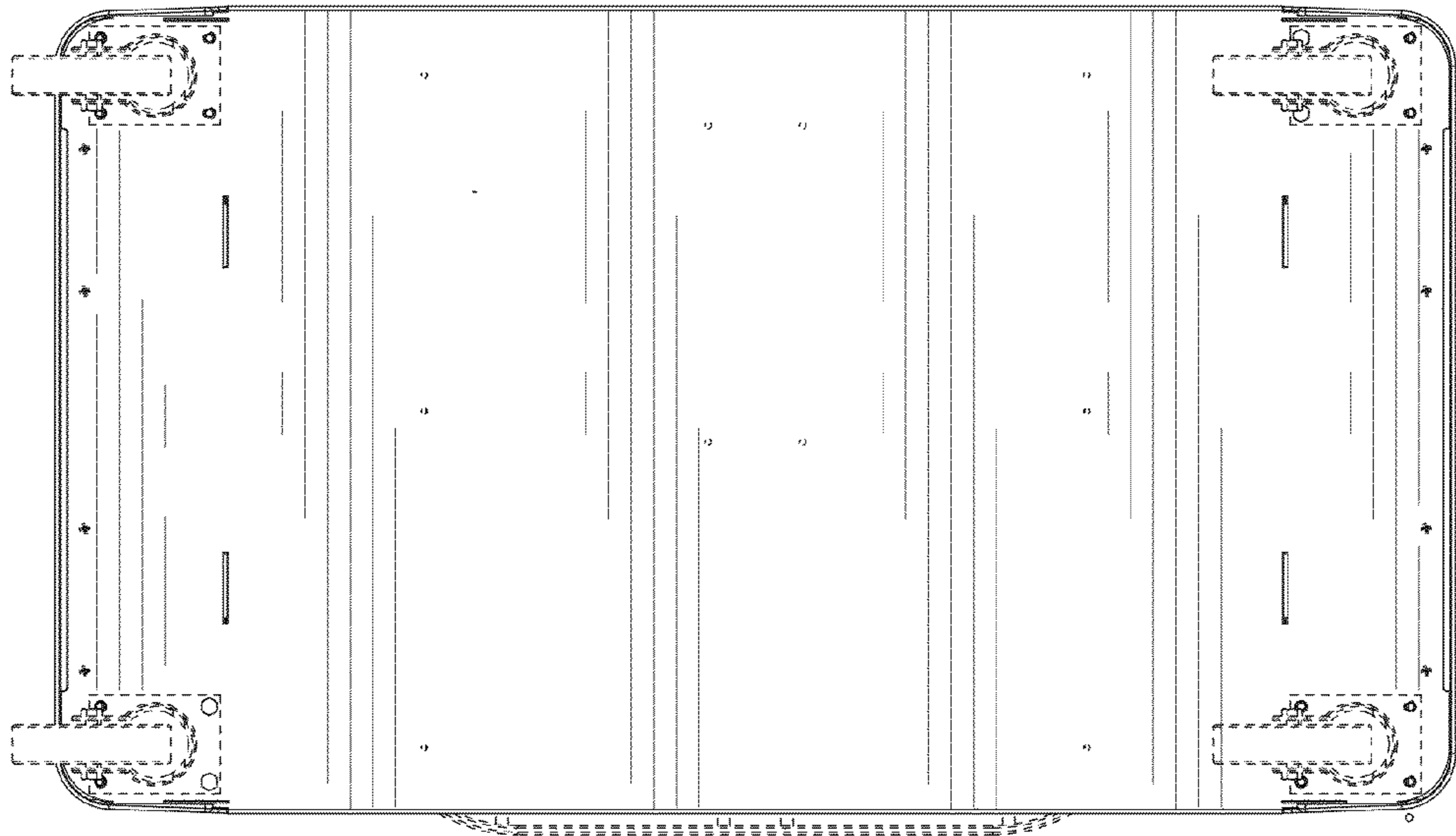


FIG. 8

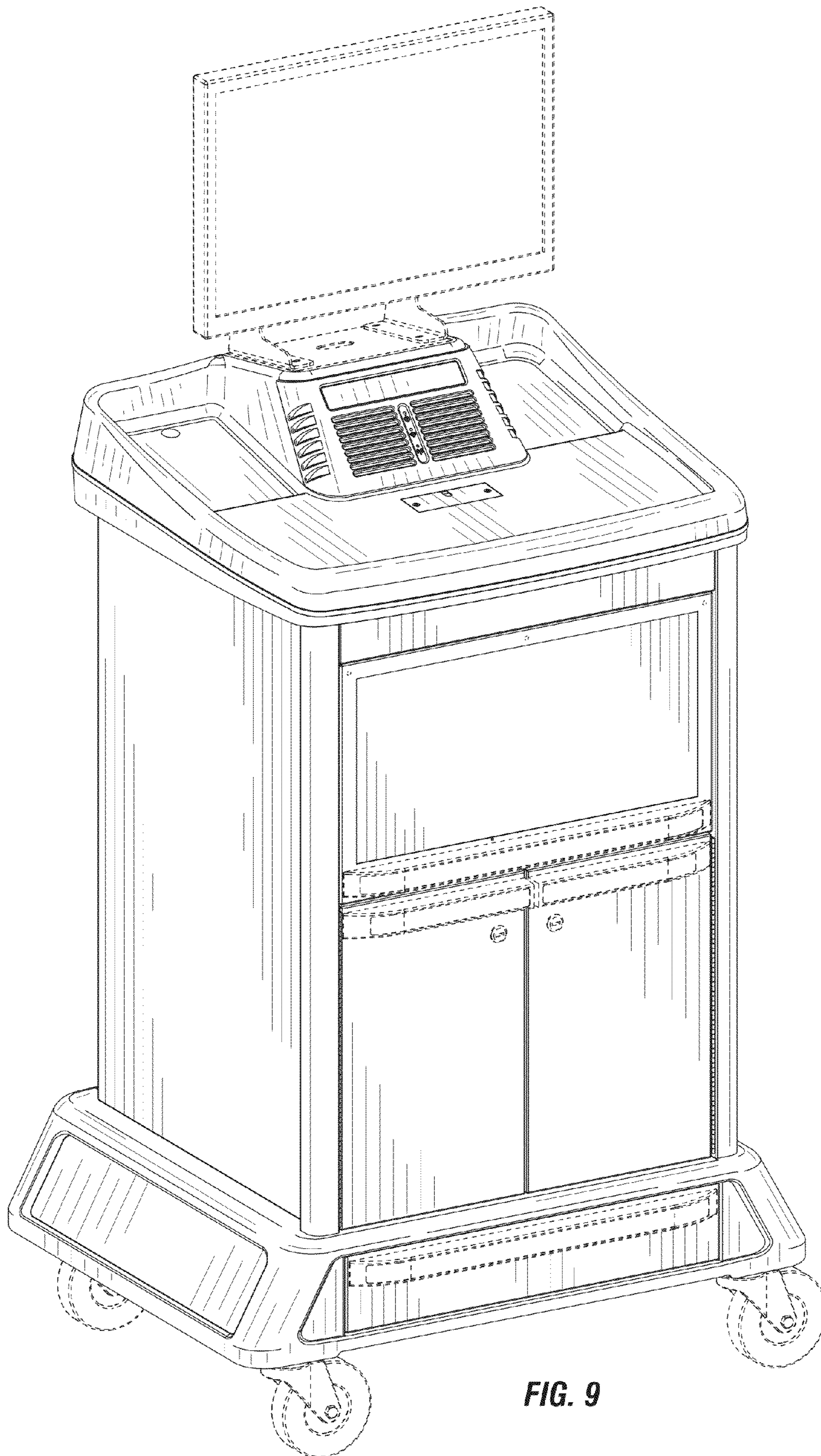


FIG. 9



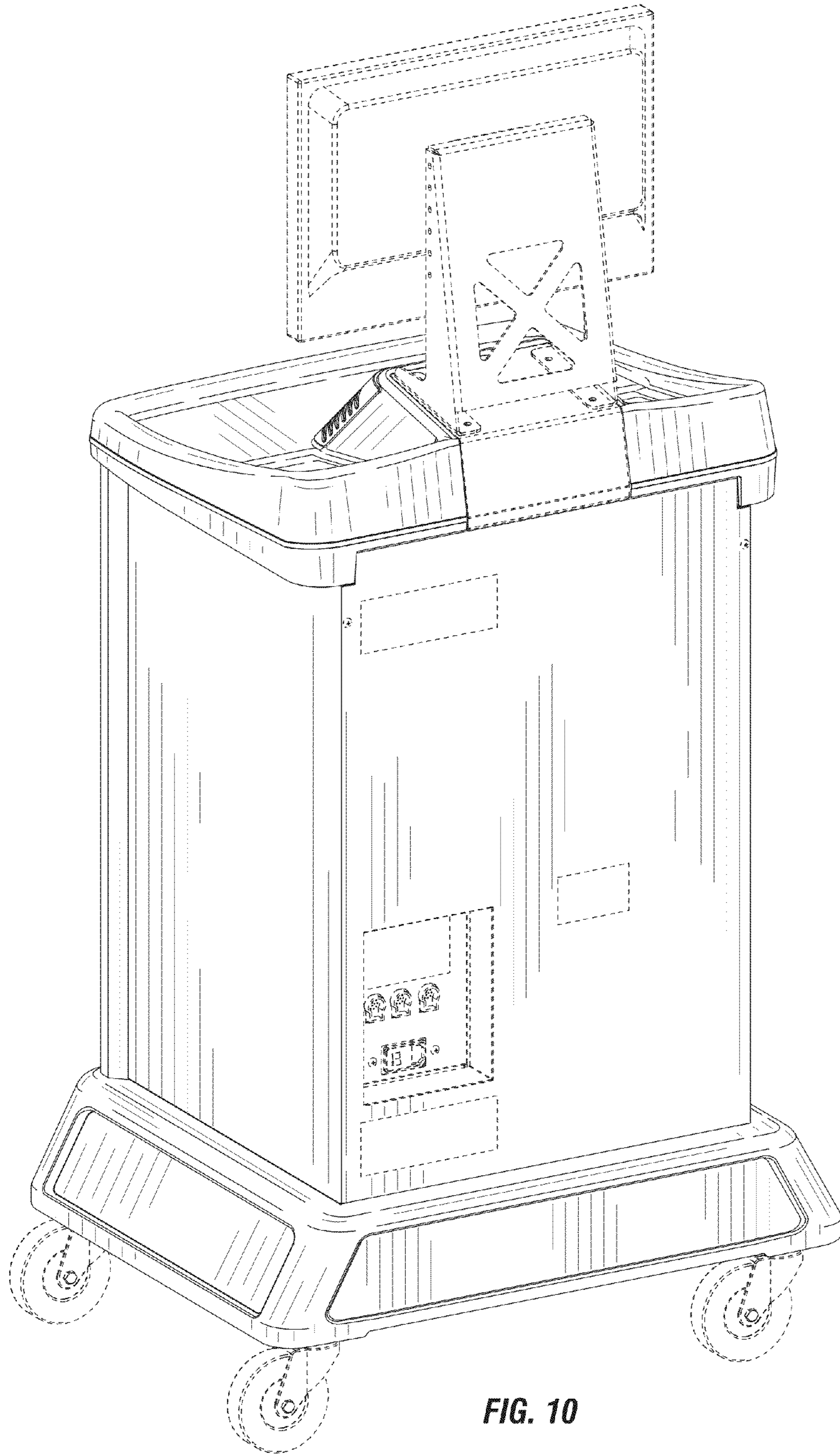


FIG. 10



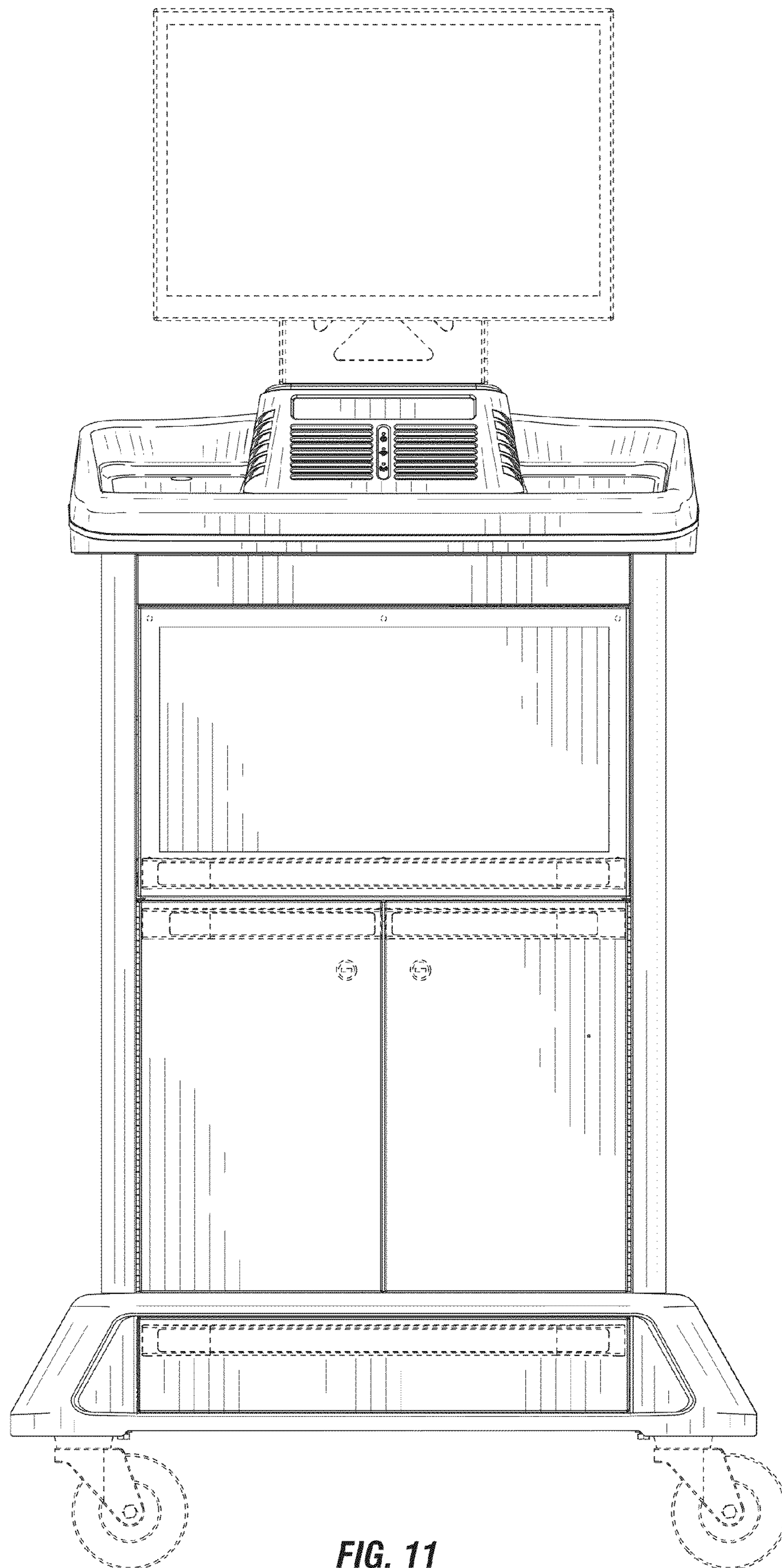


FIG. 11

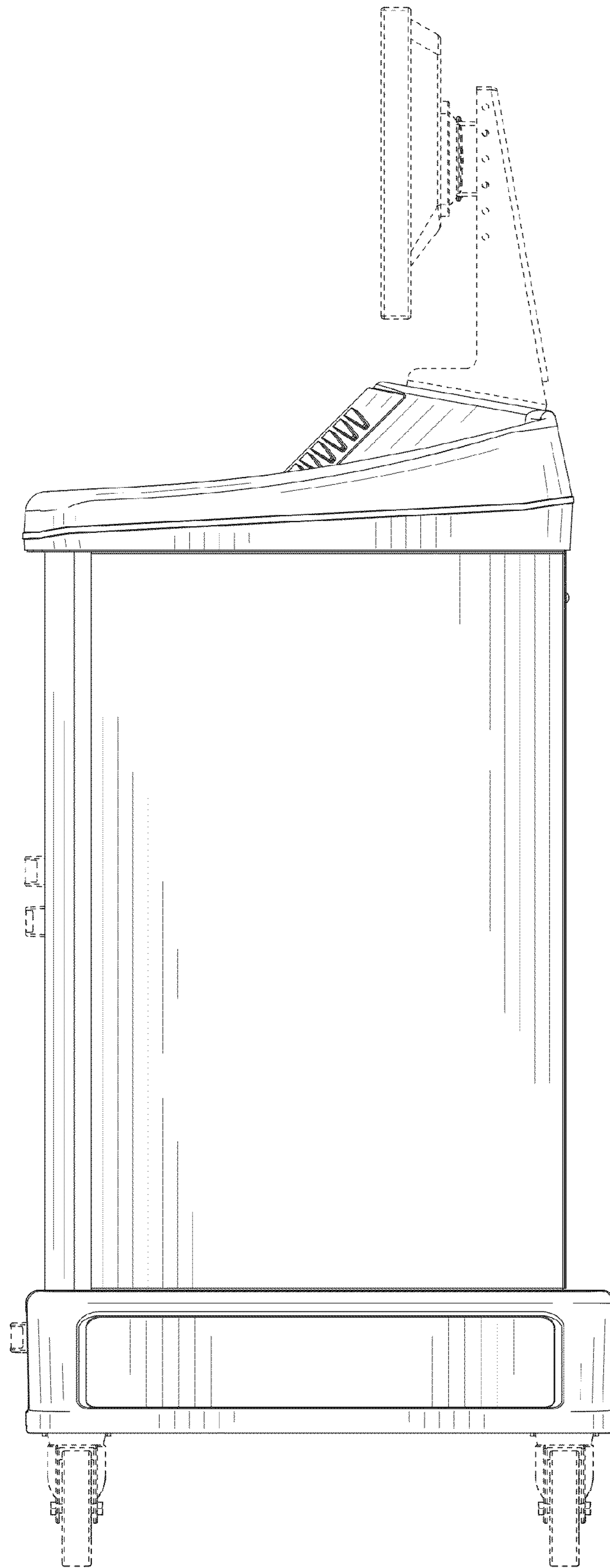


FIG. 12

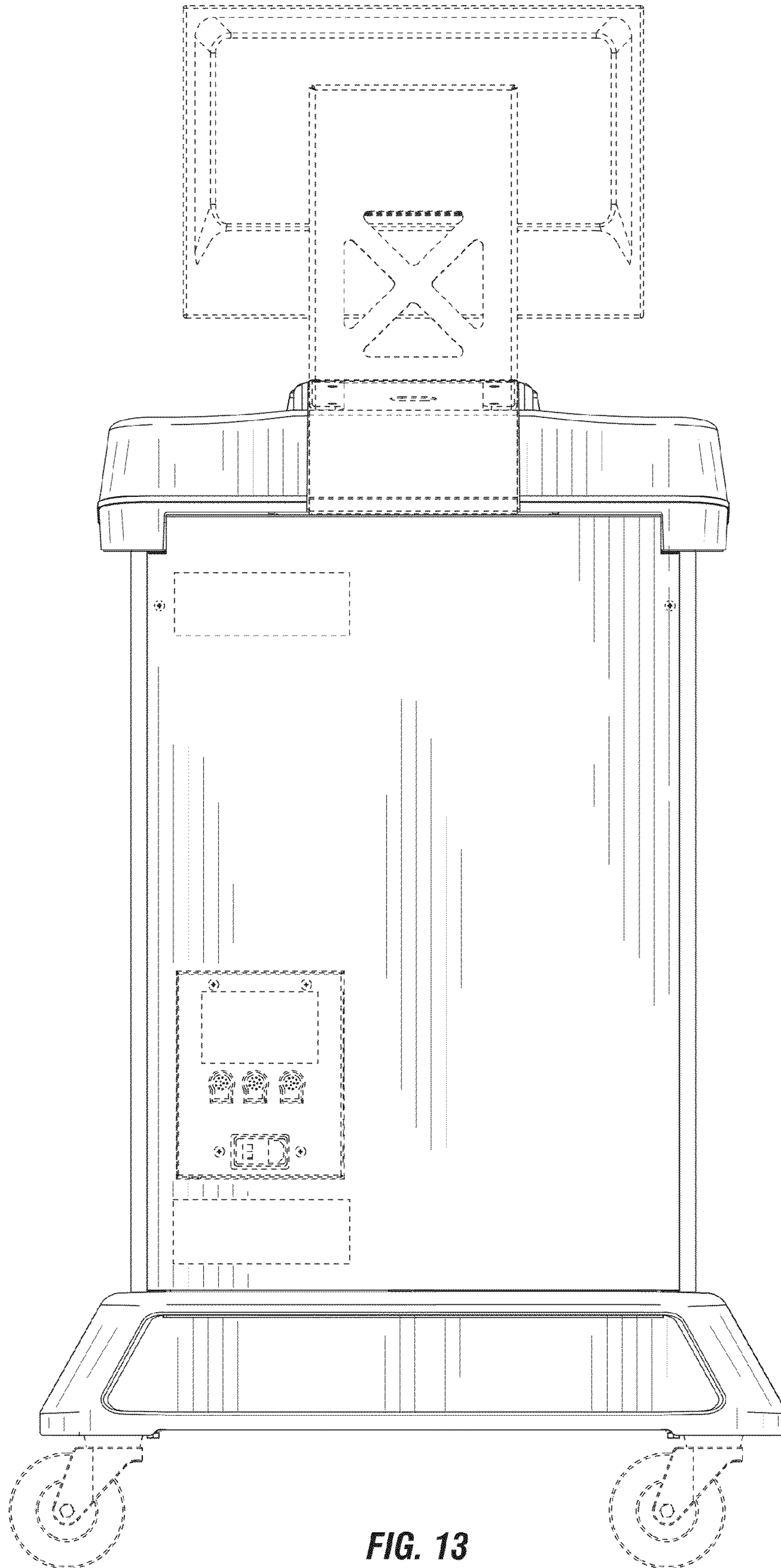


FIG. 13



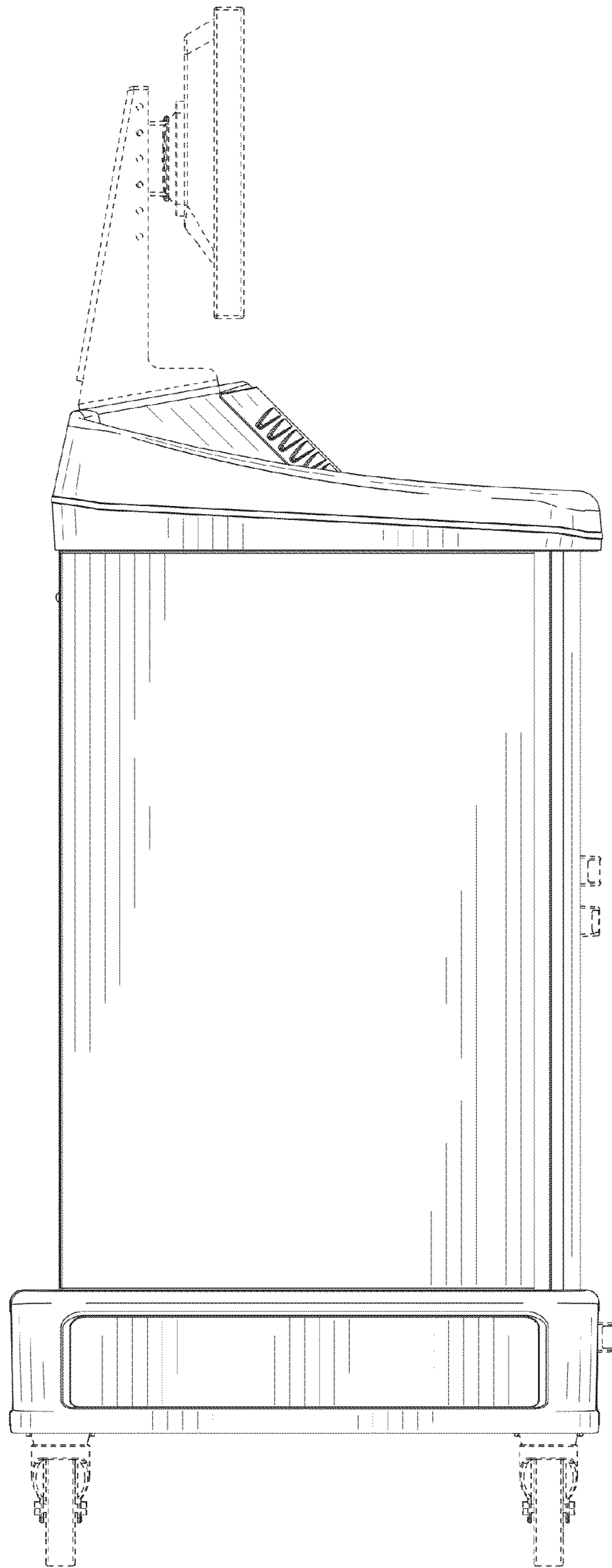


FIG. 14

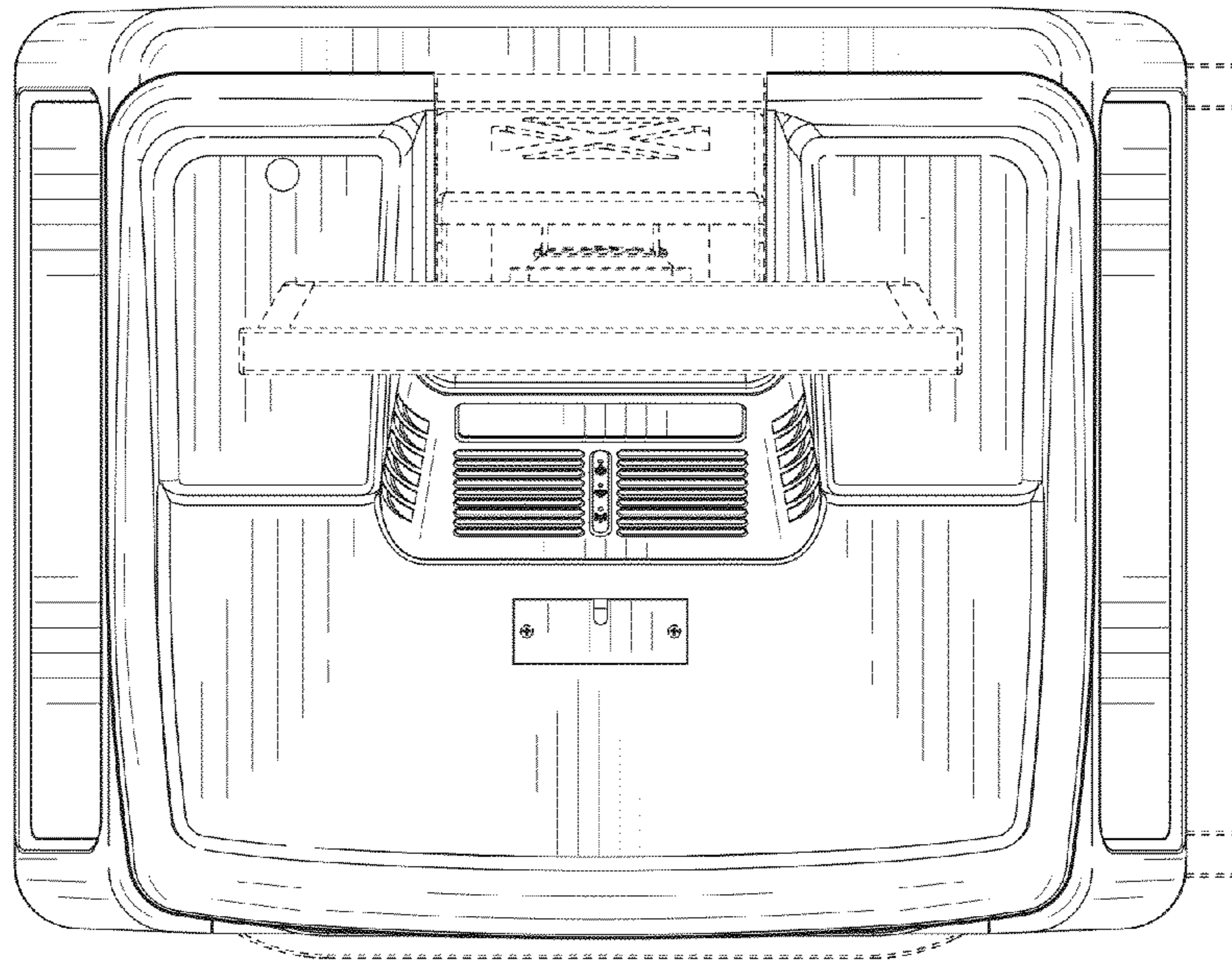


FIG. 15

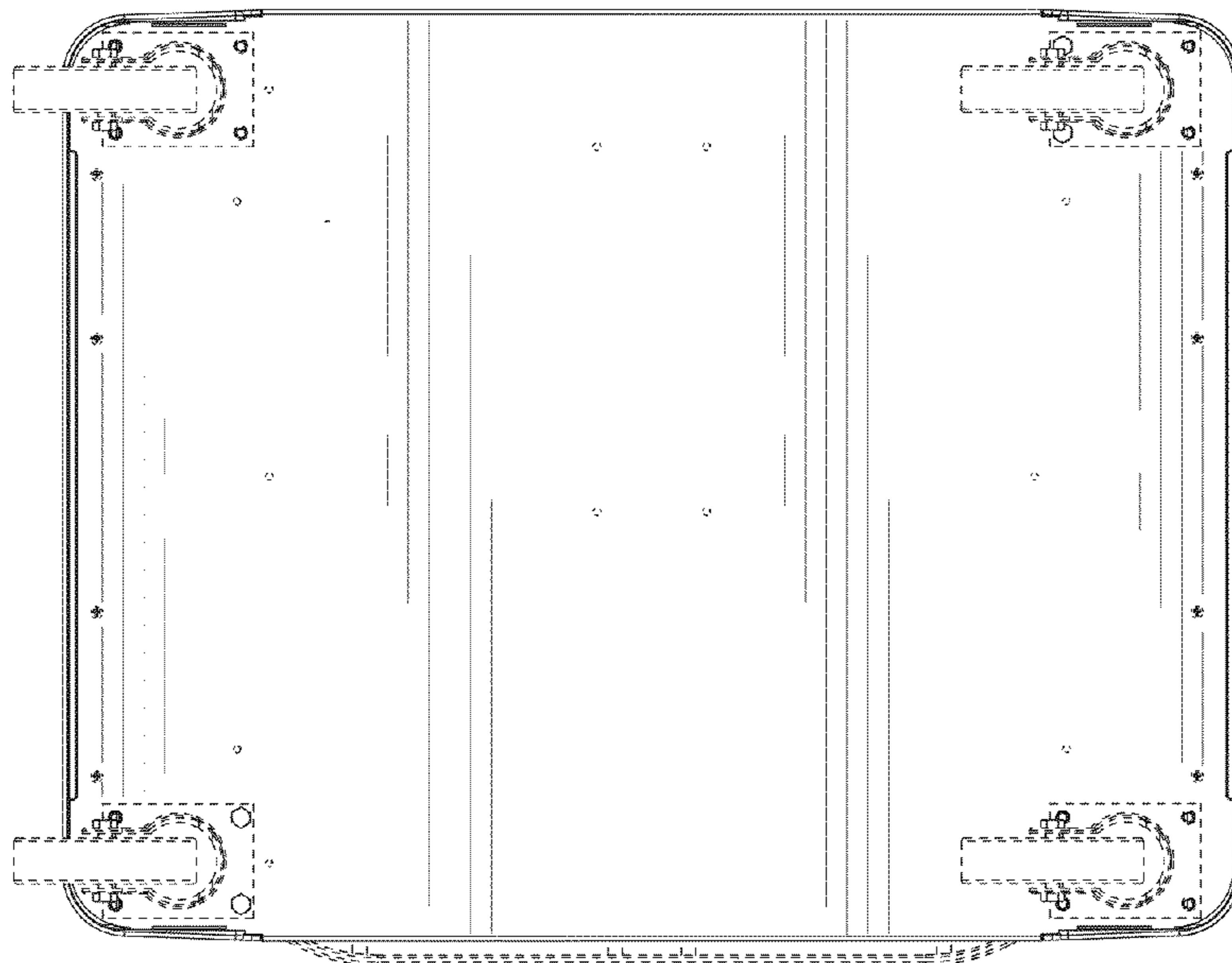


FIG. 16