



US00D726044S

(12) **United States Design Patent**
Endo et al.

(10) **Patent No.:** **US D726,044 S**
(45) **Date of Patent:** **** Apr. 7, 2015**

(54) **VEHICLE NAVIGATION UNIT WITH
DIGITAL VIDEO DISC PLAYER**

(71) Applicant: **Alpine Electronics, Inc.**, Tokyo (JP)

(72) Inventors: **Hideki Endo**, Tokyo (JP); **Takashi
Ichikawa**, Tokyo (JP); **Takayuki Horie**,
Tokyo (JP); **Munetaka Ito**, Tokyo (JP)

(73) Assignee: **Alpine Electronics, Inc.**, Tokyo (JP)

(**) Term: **14 Years**

(21) Appl. No.: **29/492,980**

(22) Filed: **Jun. 4, 2014**

(30) **Foreign Application Priority Data**

Dec. 12, 2013 (JP) 2013-029099

(51) **LOC (10) Cl.** **10-04**

(52) **U.S. Cl.**
USPC **D10/74; D10/65**

(58) **Field of Classification Search**
CPC A63B 24/00; A63B 2220/14; A63B 71/06;
A63B 26/00; A63B 24/0075; A63B
2071/0663; Y10S 482/909; Y10S 482/901;
A41D 1/002; A44C 5/0015; A44C 5/102;
A44C 5/02; A44C 5/14; A61B 19/44; A61B
2019/446

USPC D10/65, 70, 74; D14/138 R, 138 AA,
D14/138 AB, 138 AC, 138 AD, 341-347,
D14/507-510, 136, 167, 168, 496, 498, 499,
D14/500, 125-134, 239, 371, 374-377, 440,
D14/450, 448, 336, 342; 343/702; 345/87,
345/104, 133, 156, 168, 173, 901-905,
345/165; 348/180, 184, 315, 739, 836, 838,
348/325; 364/444, 499; 701/408-418, 431,
701/432, 537, 1, 454, 428, 440, 400, 491,
701/526, 455, 444, 36, 541, 487; 312/7.2;
341/12; 720/605, 669, 600, 655;
369/99, 197; 455/344, 347, 575.1;
250/221, 338.3, 340, 239, 342, 341,
250/DIG. 1, 353, 338.1; 307/116, 117, 9.1,

307/10.1; 340/521, 527, 541, 567, 540,
340/568.2, 539.23, 635, 687, 425.5, 815.4,
340/901, 988, 989, 990, 992, 995.1, 562,
340/815.45; 315/159; 324/72.5, 556, 133,
324/149, 503, 543, 555, 66, 72, 754, 115,
324/141, 522; 73/615, 624, 627, 644,
73/514.33, 514.34, 510, 513, 527, 530;
356/3.01-5.15; 235/105; 377/5, 24.2,
377/26; 702/155, 160, 176, 78, 79, 82,
702/91-95, 104, 116, 141, 150, 151, 154,
702/127, 131, 182, 183, 189; 600/437, 443,
600/453, 459, 465, 479, 500, 502, 595, 485,
600/481, 483; 700/17; 715/762, 764, 970

See application file for complete search history.

(56) **References Cited**

U.S. PATENT DOCUMENTS

D507,575 S * 7/2005 Yang D14/458
D508,874 S * 8/2005 Yoshiguchi D11/216
D615,426 S * 5/2010 Kislitsin D10/65

Primary Examiner — Antoine D Davis

(74) *Attorney, Agent, or Firm* — Brinks Gilson & Lione

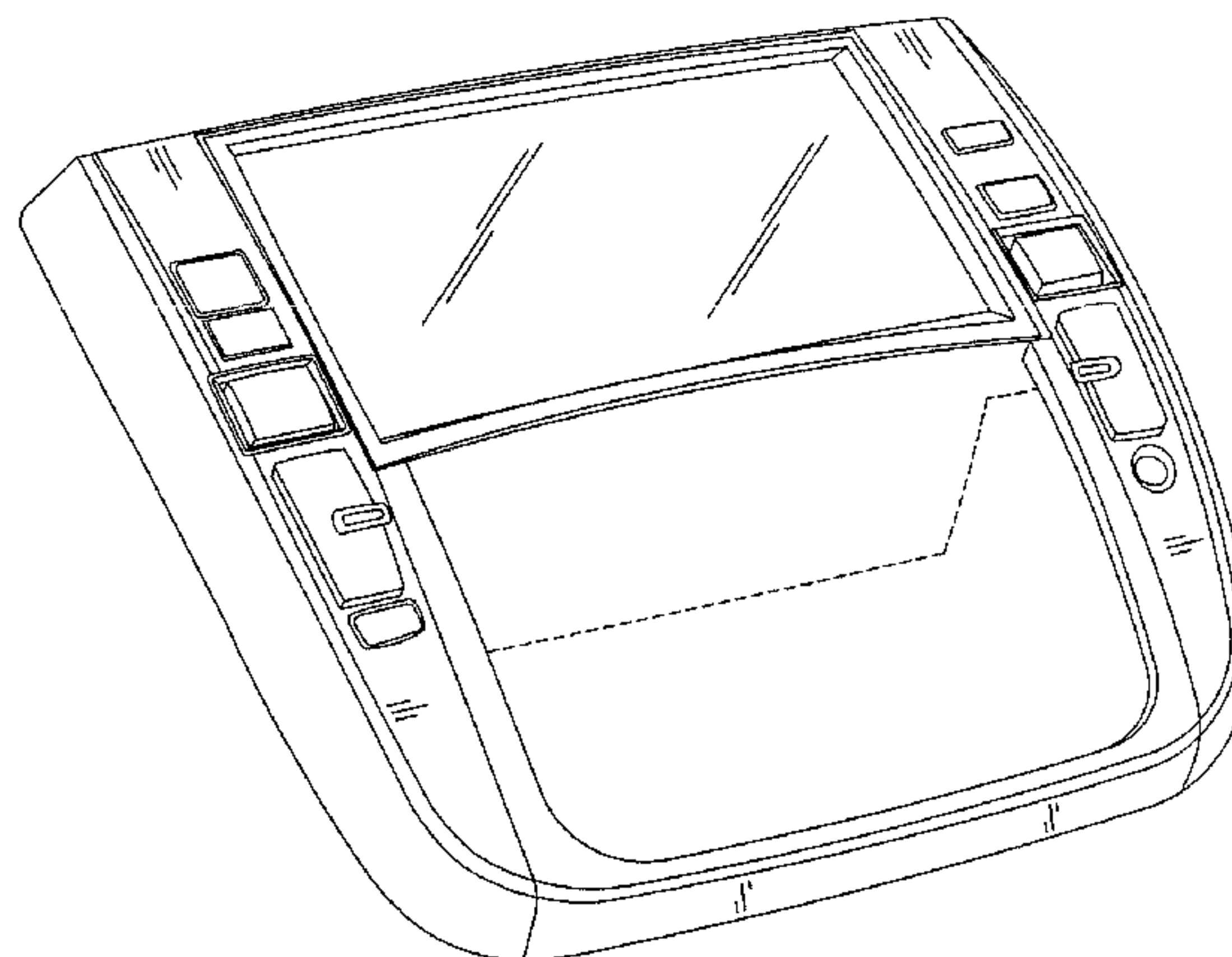
(57) **CLAIM**

The ornamental design of the vehicle navigation unit with digital video disc player, as shown and described.

DESCRIPTION

FIG. 1 is a perspective view of a vehicle navigation unit with digital video disc player showing the new design;
FIG. 2 is a front view thereof;
FIG. 3 is a rear view thereof;
FIG. 4 is a left-side view thereof;
FIG. 5 is a right-side view thereof;
FIG. 6 is a top view thereof;
FIG. 7 is a bottom view thereof; and,
FIG. 8 is a front view thereof, shown with the power on for reference purposes only. The images on the screen of the vehicle navigation unit with digital video disc player with the power on do not form any part of the claimed design.
The broken lines are for environmental purposes only and do not form any part of the claimed design.

1 Claim, 8 Drawing Sheets



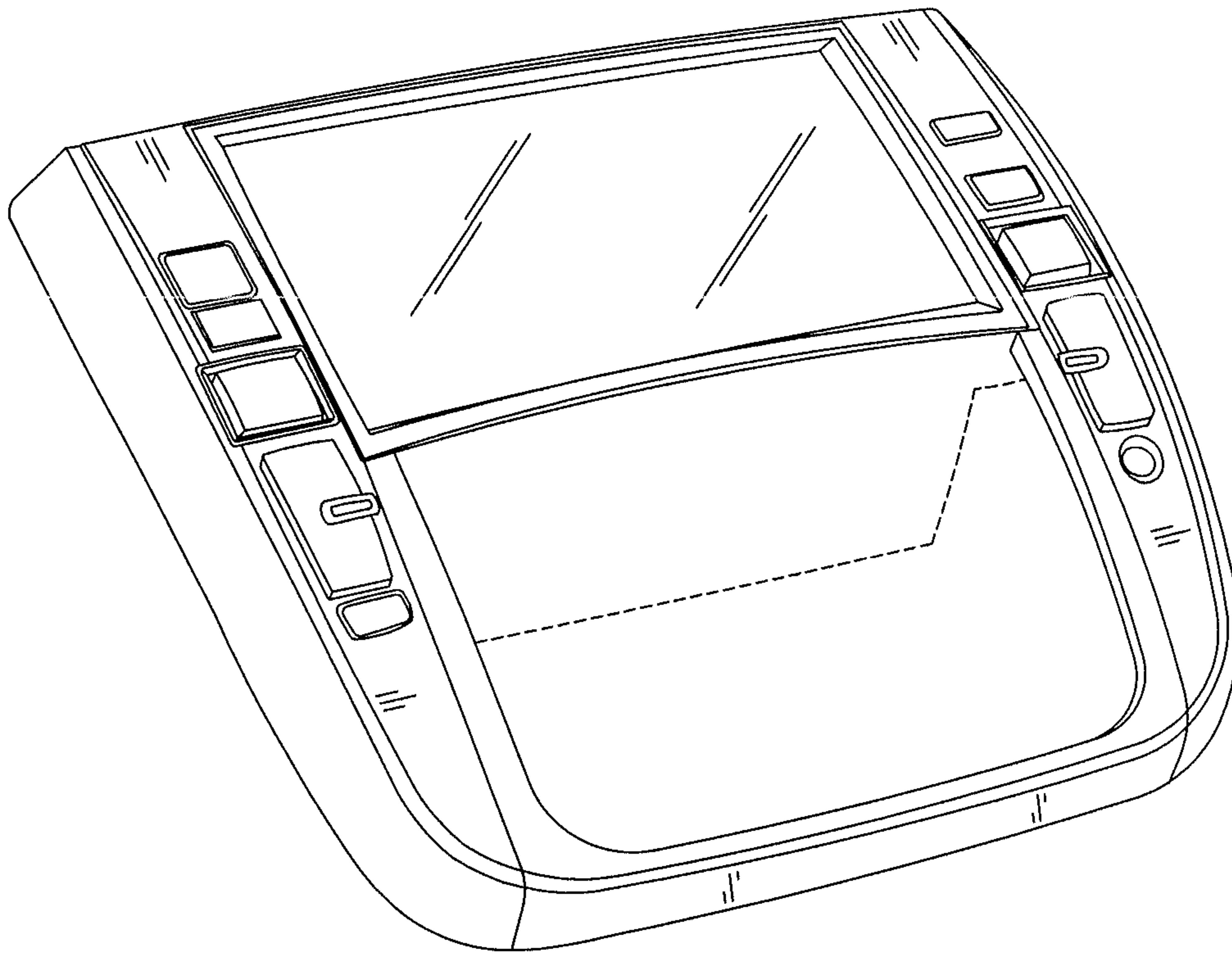


FIG. 1

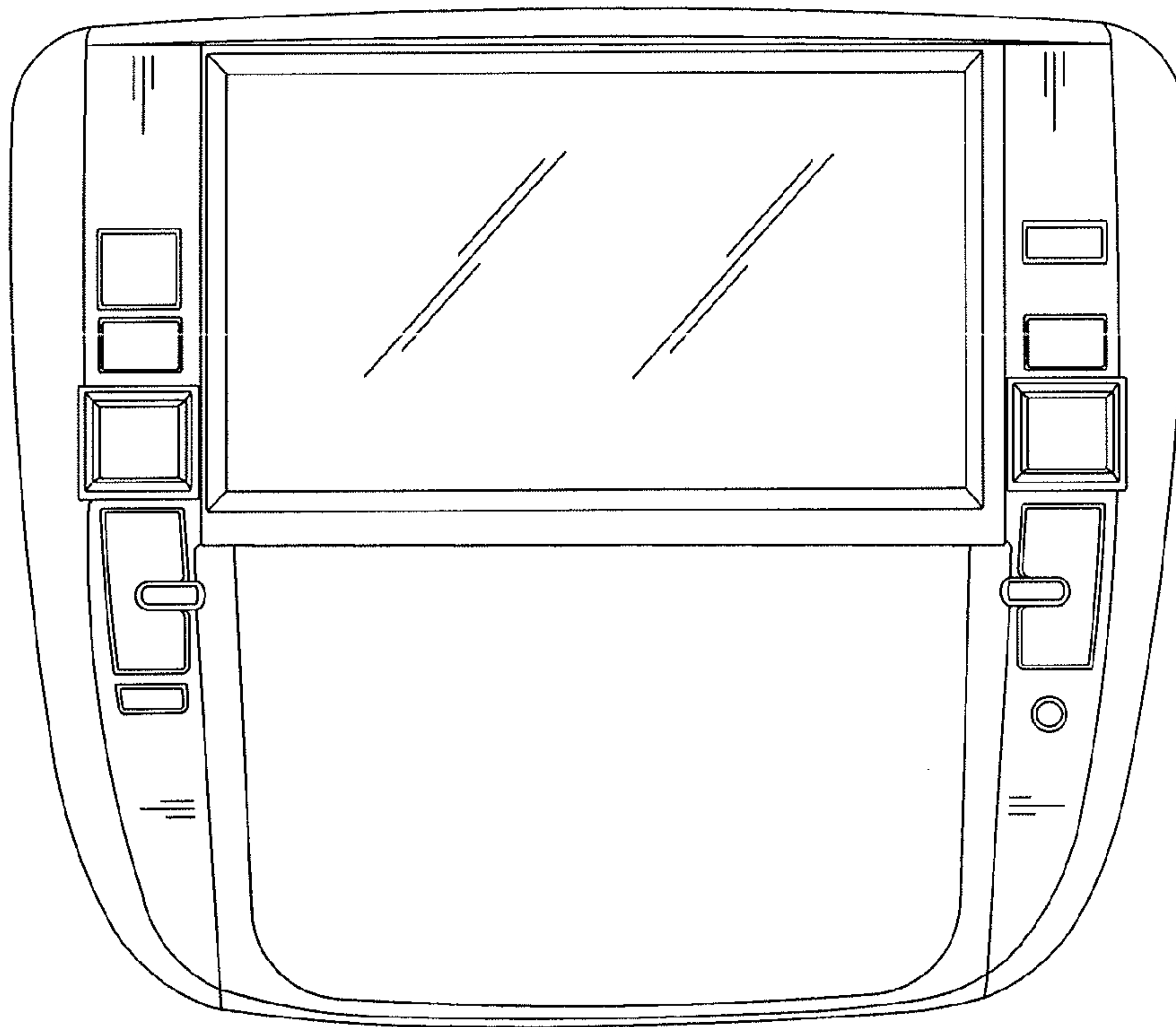


FIG. 2

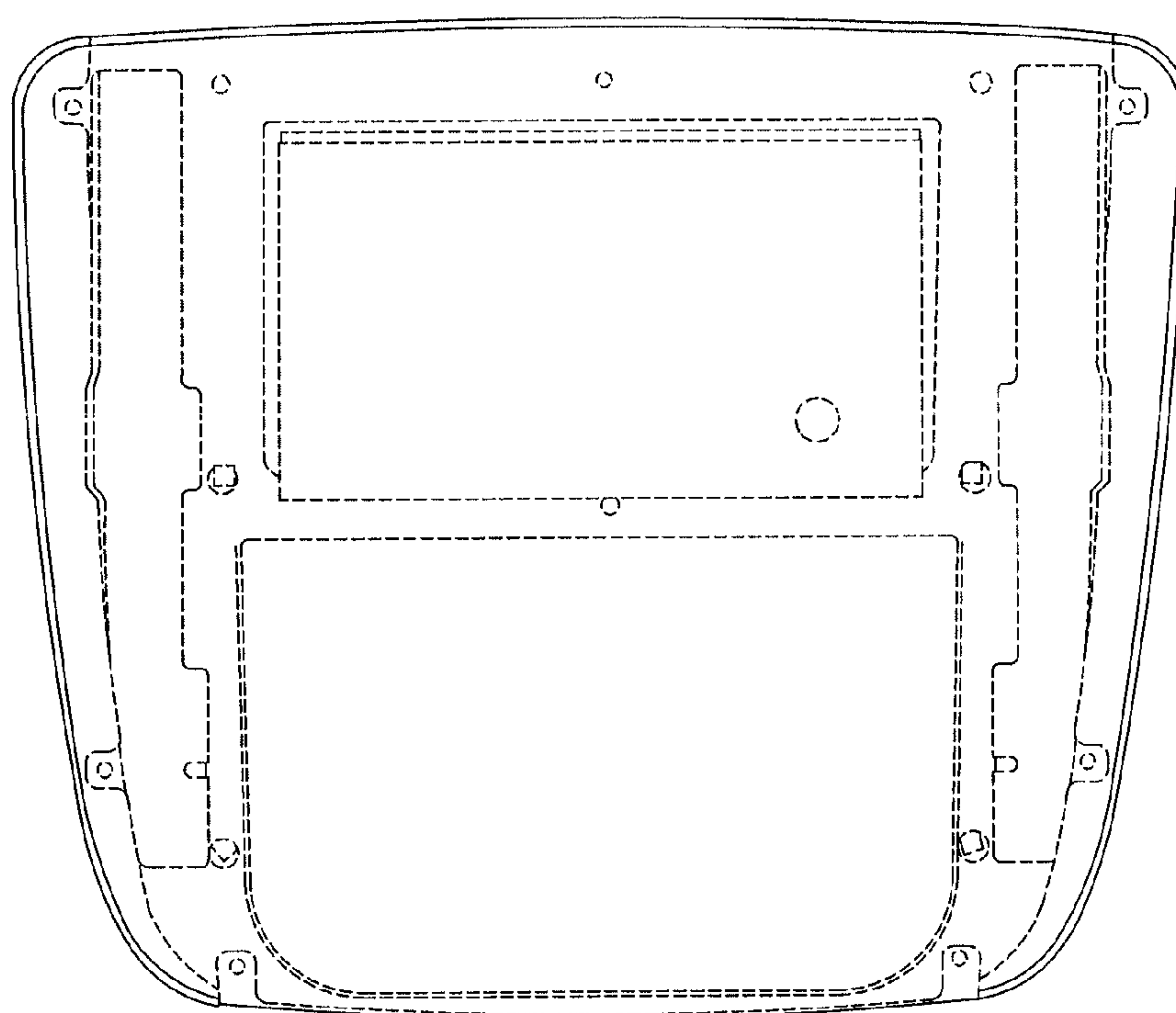


FIG. 3

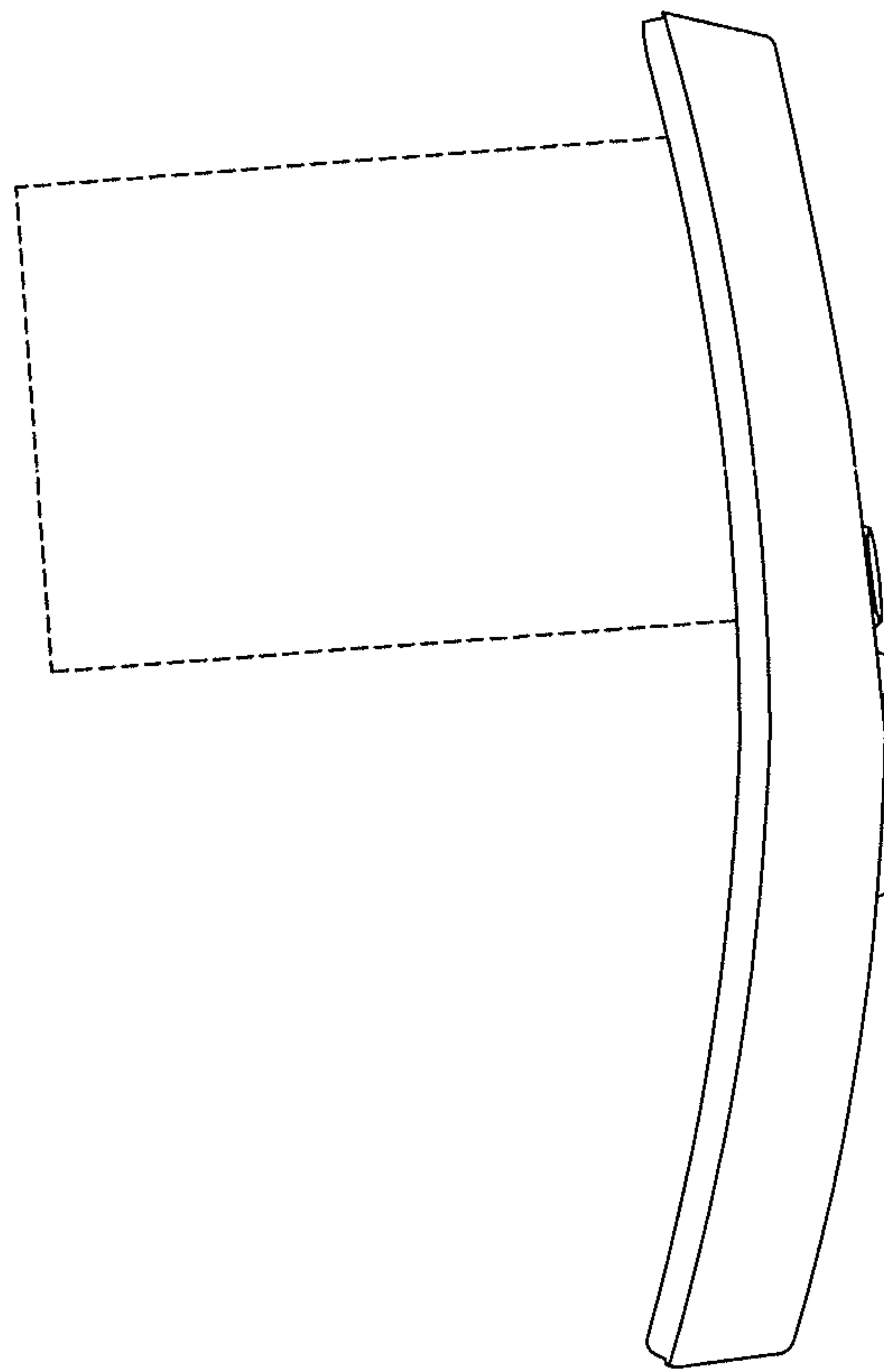


FIG. 4

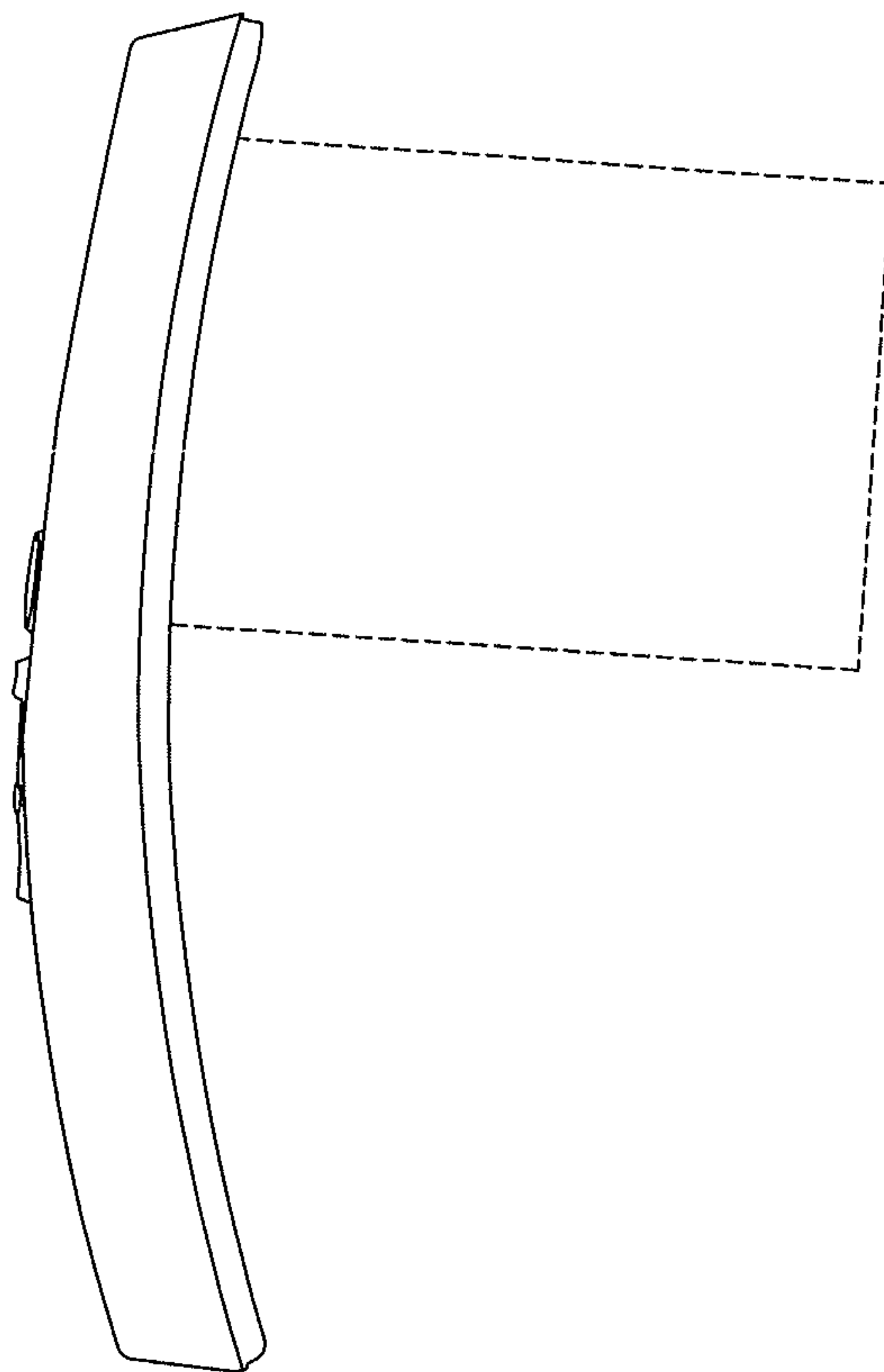


FIG. 5

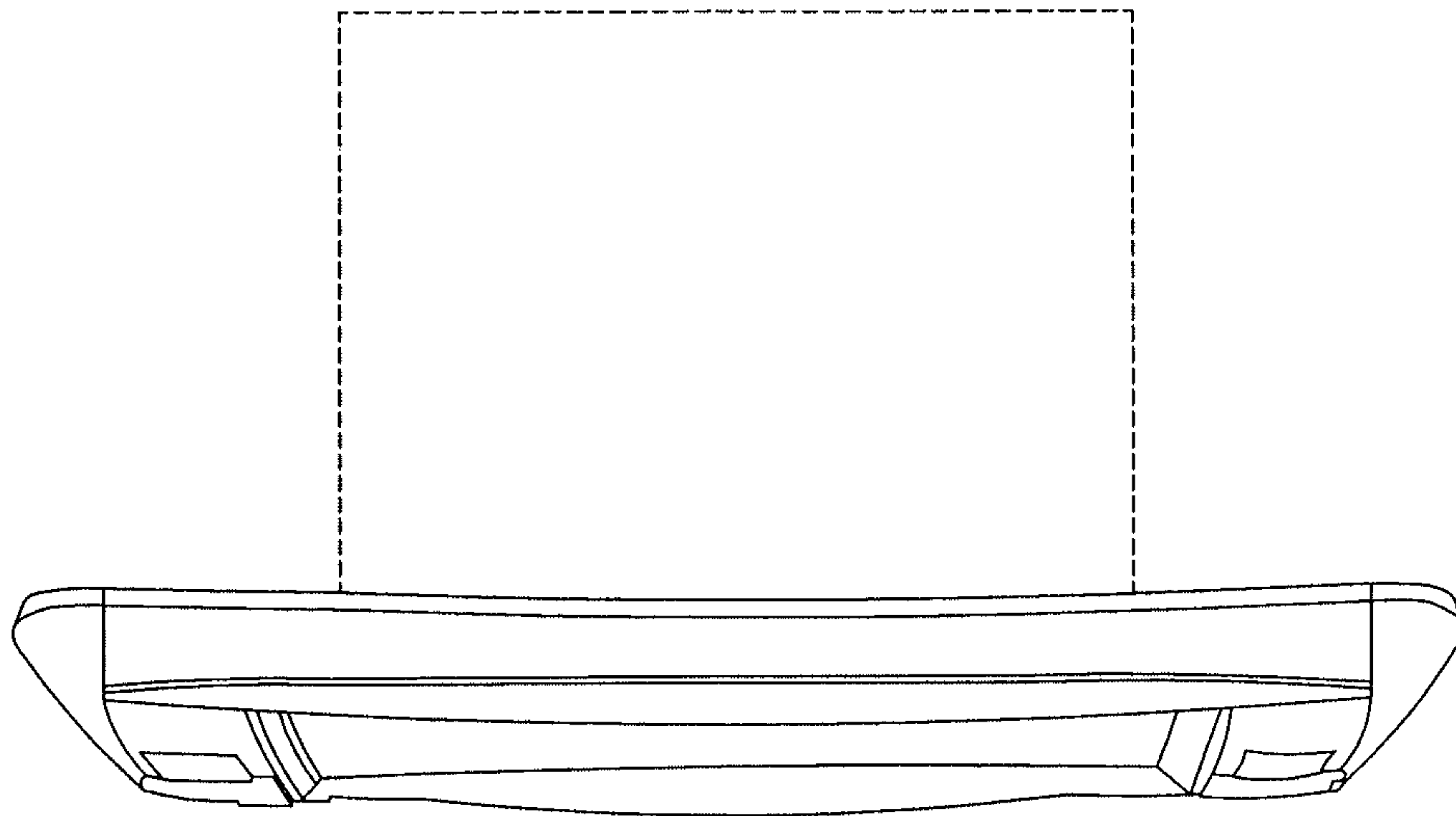


FIG. 6

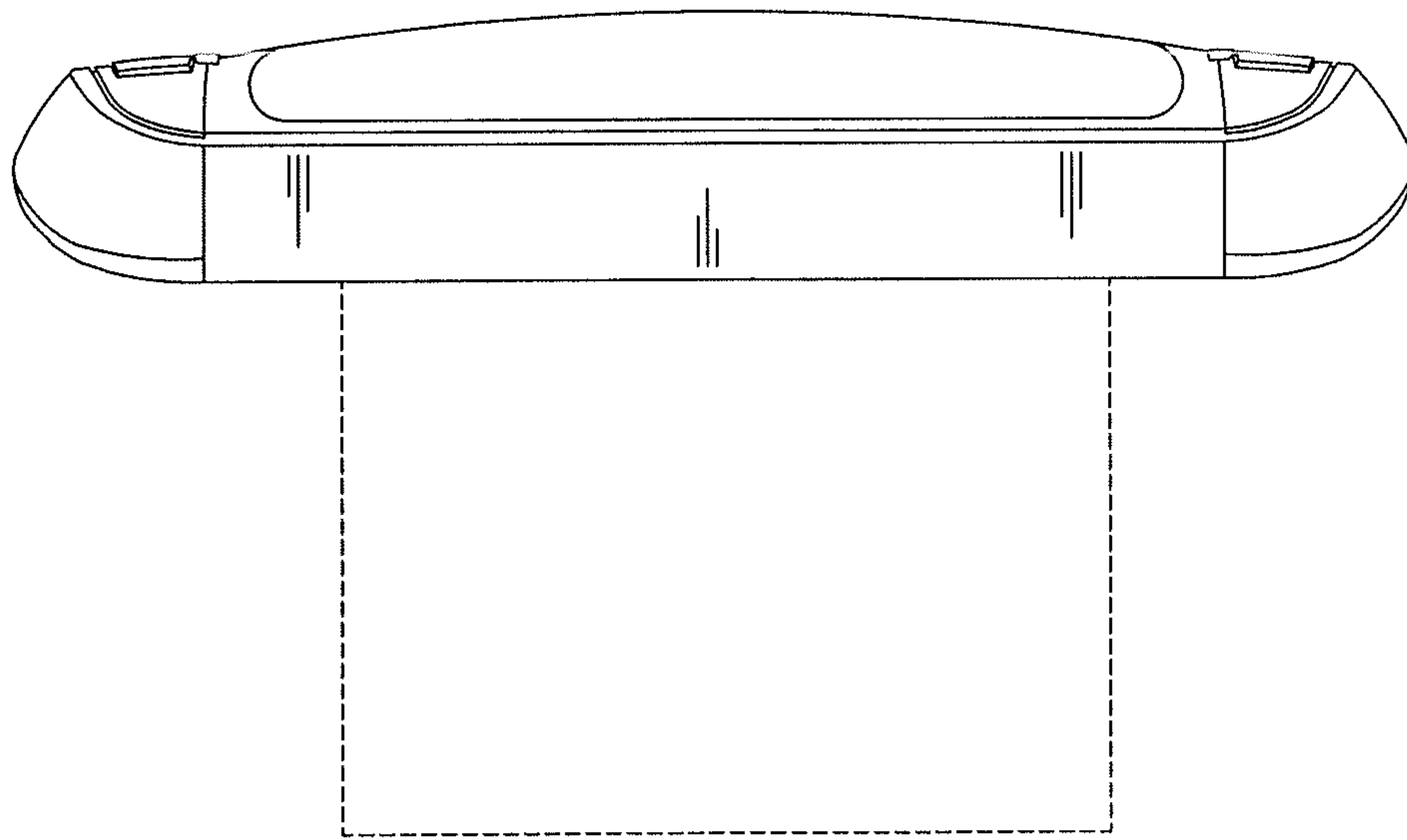


FIG. 7

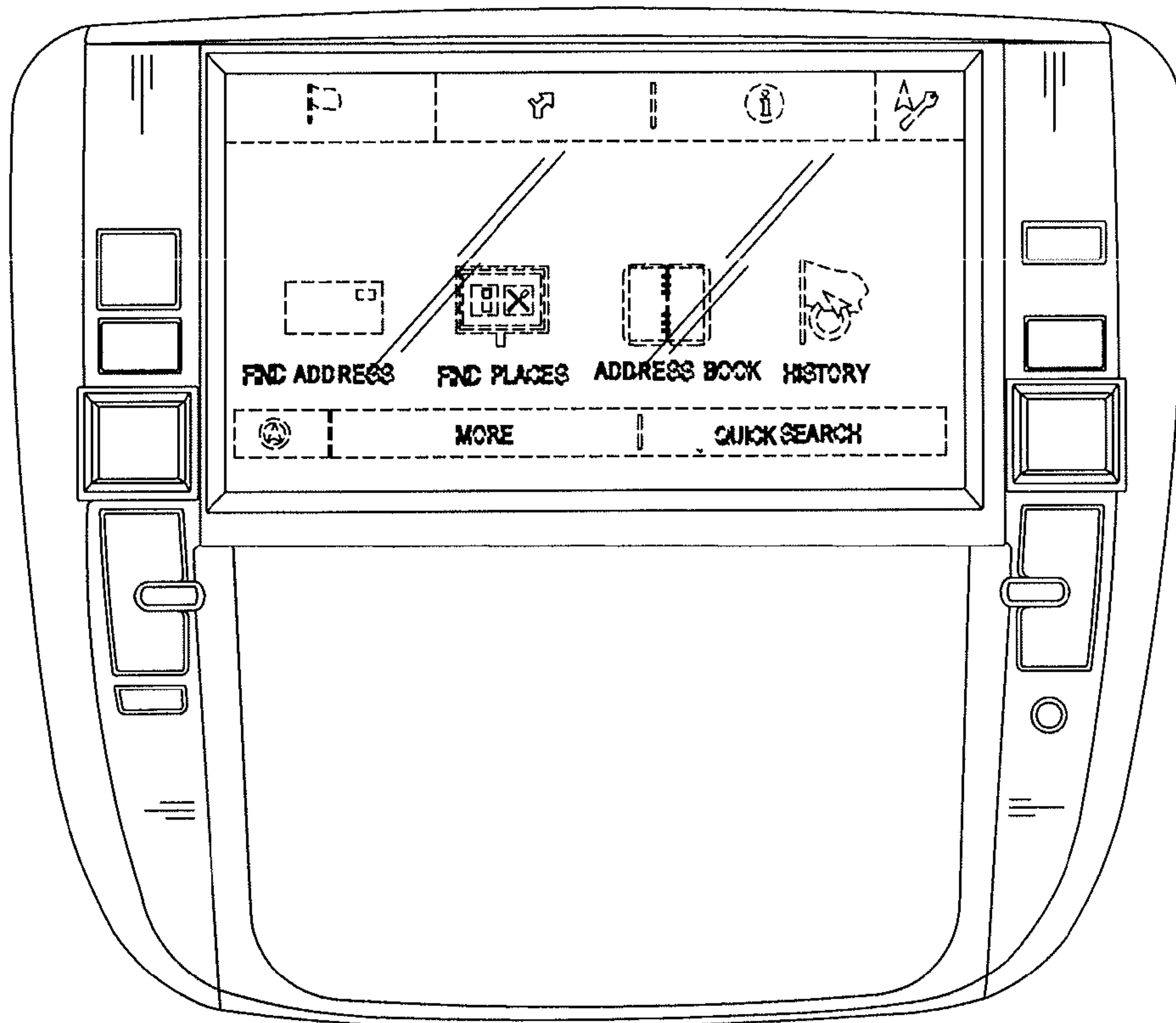


FIG. 8