



US00D726043S

(12) **United States Design Patent**
Cook et al.

(10) **Patent No.:** **US D726,043 S**
(45) **Date of Patent:** **** Apr. 7, 2015**

(54) **TAPE MEASURE**

(71) Applicant: **Stanley Black & Decker Inc.**, New Britain, CT (US)

(72) Inventors: **Vincent Cook**, Milford, CT (US); **Eric Ranieri**, Pouilley-les-Vignes (FR)

(73) Assignee: **Stanley Black & Decker Inc.**, New Britain, CT (US)

(**) Term: **14 Years**

(21) Appl. No.: **29/481,491**

(22) Filed: **Feb. 6, 2014**

(51) **LOC (10) Cl.** **10-04**

(52) **U.S. Cl.**
USPC **D10/72**

(58) **Field of Classification Search**

CPC G07B 3/10; G01B 3/1082; G01B 3/1056;
G01B 3/563; G01B 3/566; G01B 3/1071;
G01B 2003/1089; G01B 2003/1092; G01B
2003/1048; G01B 2003/1079; G01B
2003/1041; G01B 2003/1084
USPC D10/72; 33/755-771; 242/285, 291,
242/379, 379.1, 379.2, 381, 381.1-381.6,
242/405

See application file for complete search history.

(56) **References Cited**

U.S. PATENT DOCUMENTS

| | | | | | | |
|--------------|----|---|---------|------------------|-------|---------|
| D578,910 | S | * | 10/2008 | Deguglimo et al. | | D10/72 |
| D653,973 | S | * | 2/2012 | Robinson et al. | | D10/72 |
| D670,182 | S | * | 11/2012 | Carl | | D10/72 |
| D670,183 | S | * | 11/2012 | Carl | | D10/72 |
| D680,888 | S | * | 4/2013 | Ranieri | | D10/72 |
| D686,514 | S | * | 7/2013 | Robinson et al. | | D10/72 |
| D686,515 | S | * | 7/2013 | Robinson et al. | | D10/72 |
| D700,580 | S | * | 3/2014 | Ishimaru | | D13/147 |
| 2007/0227029 | A1 | * | 10/2007 | Shute et al. | | 33/761 |
| 2013/0025147 | A1 | * | 1/2013 | Steele et al. | | 33/769 |

* cited by examiner

Primary Examiner — Antoine D Davis

(74) *Attorney, Agent, or Firm* — Gabriel A. Haboubi

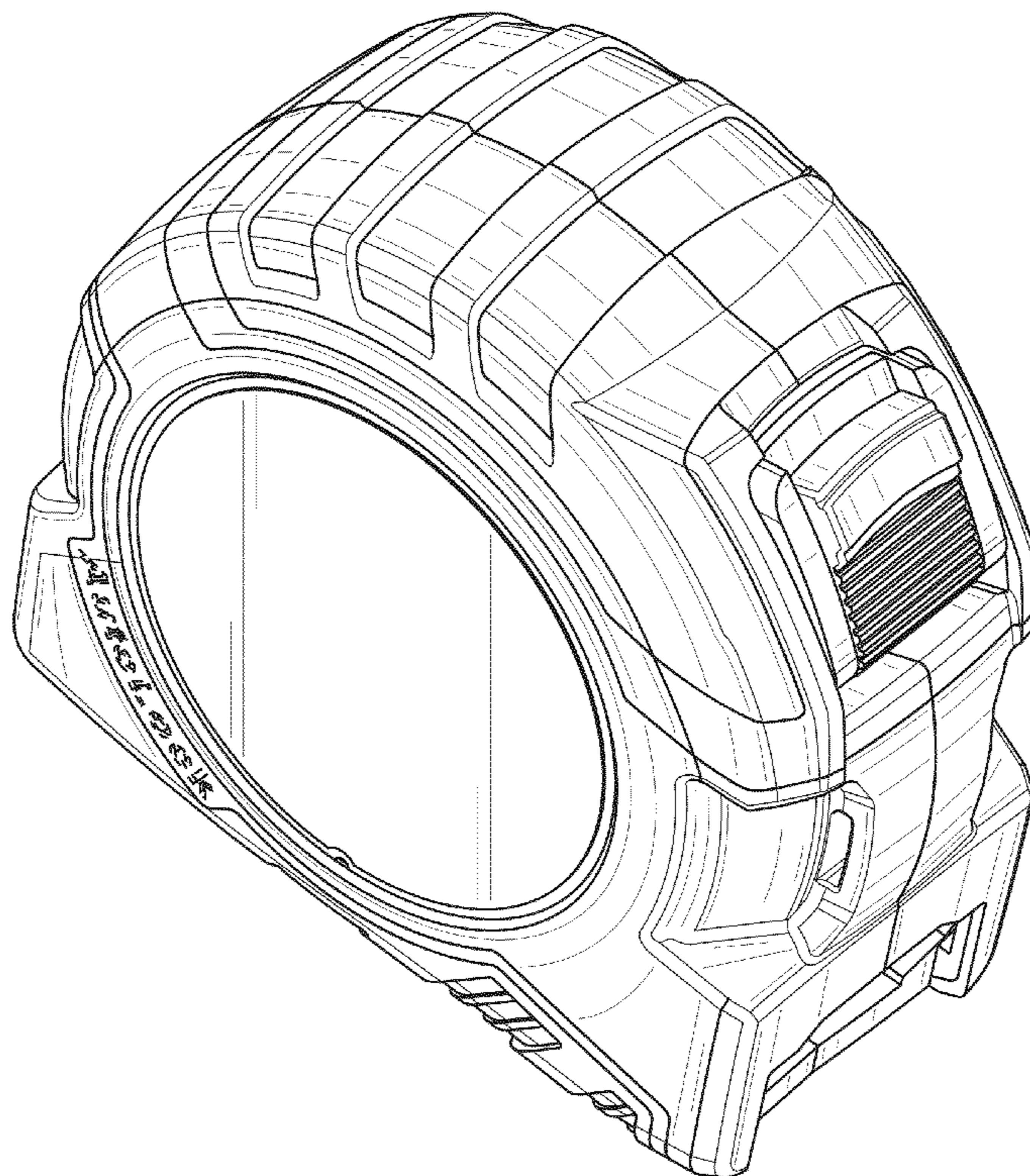
(57) **CLAIM**

The ornamental design for a tape measure, as shown and described.

DESCRIPTION

FIG. 1 is a perspective view of a tape measure showing our new design;
FIG. 2 is a right side view thereof
FIG. 3 is a left side view thereof;
FIG. 4 is a rear view thereof;
FIG. 5 is a front view thereof;
FIG. 6 is a top plan thereof; and,
FIG. 7 is a bottom plan view thereof.
In the above drawings the broken lines and the areas within the broken lines form no part of the claimed design.

1 Claim, 7 Drawing Sheets



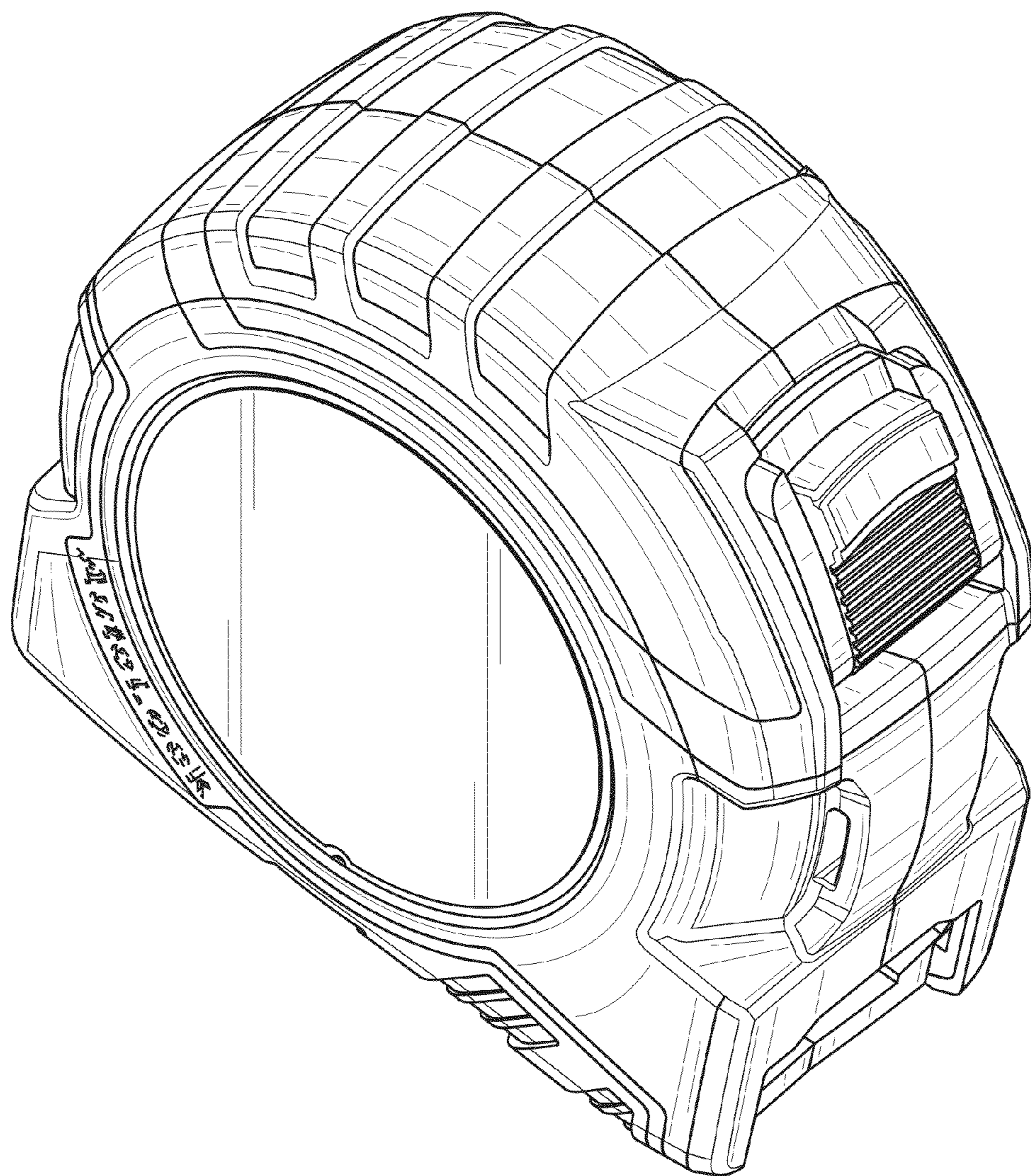


FIG. 1

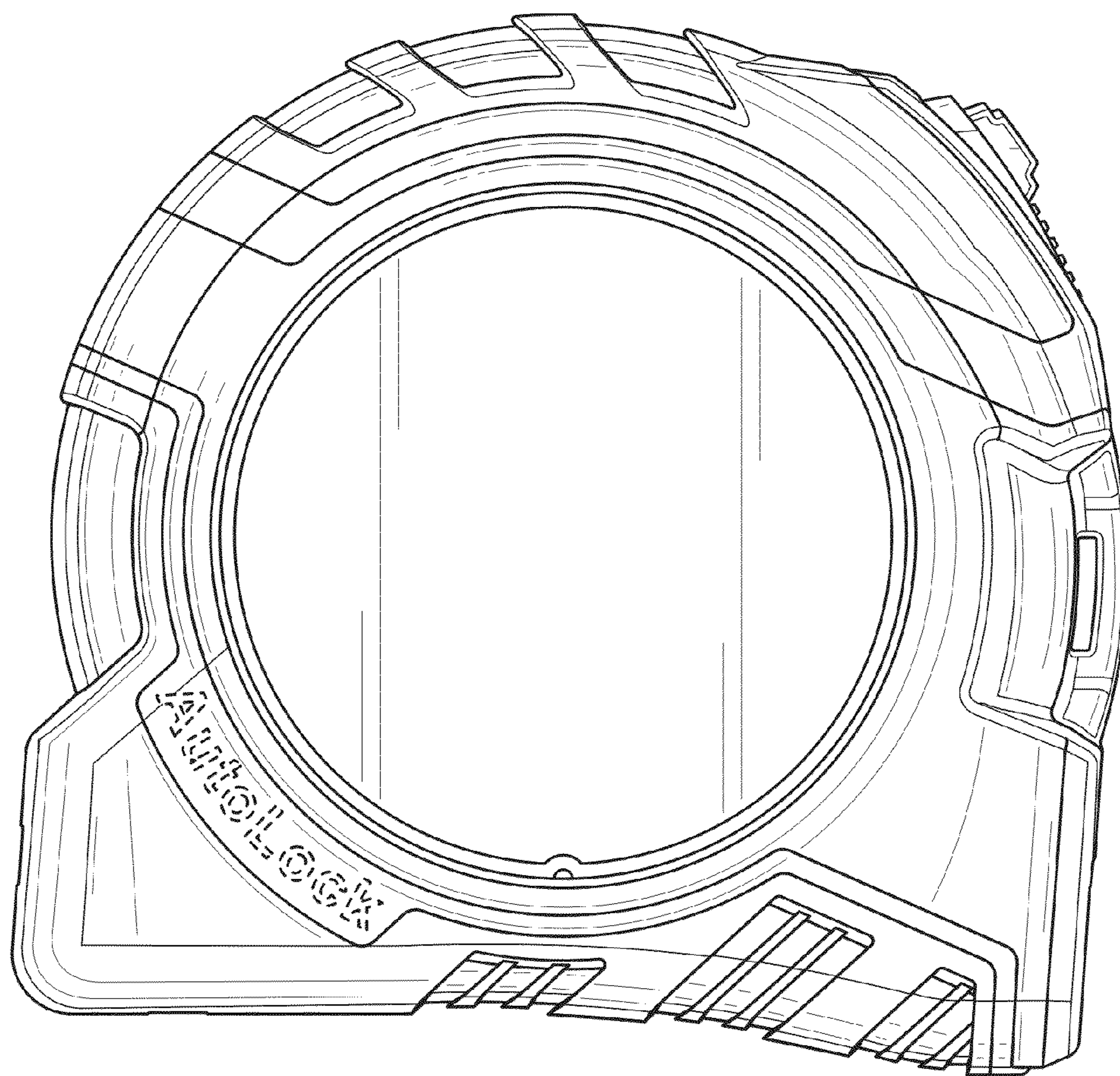


FIG. 2

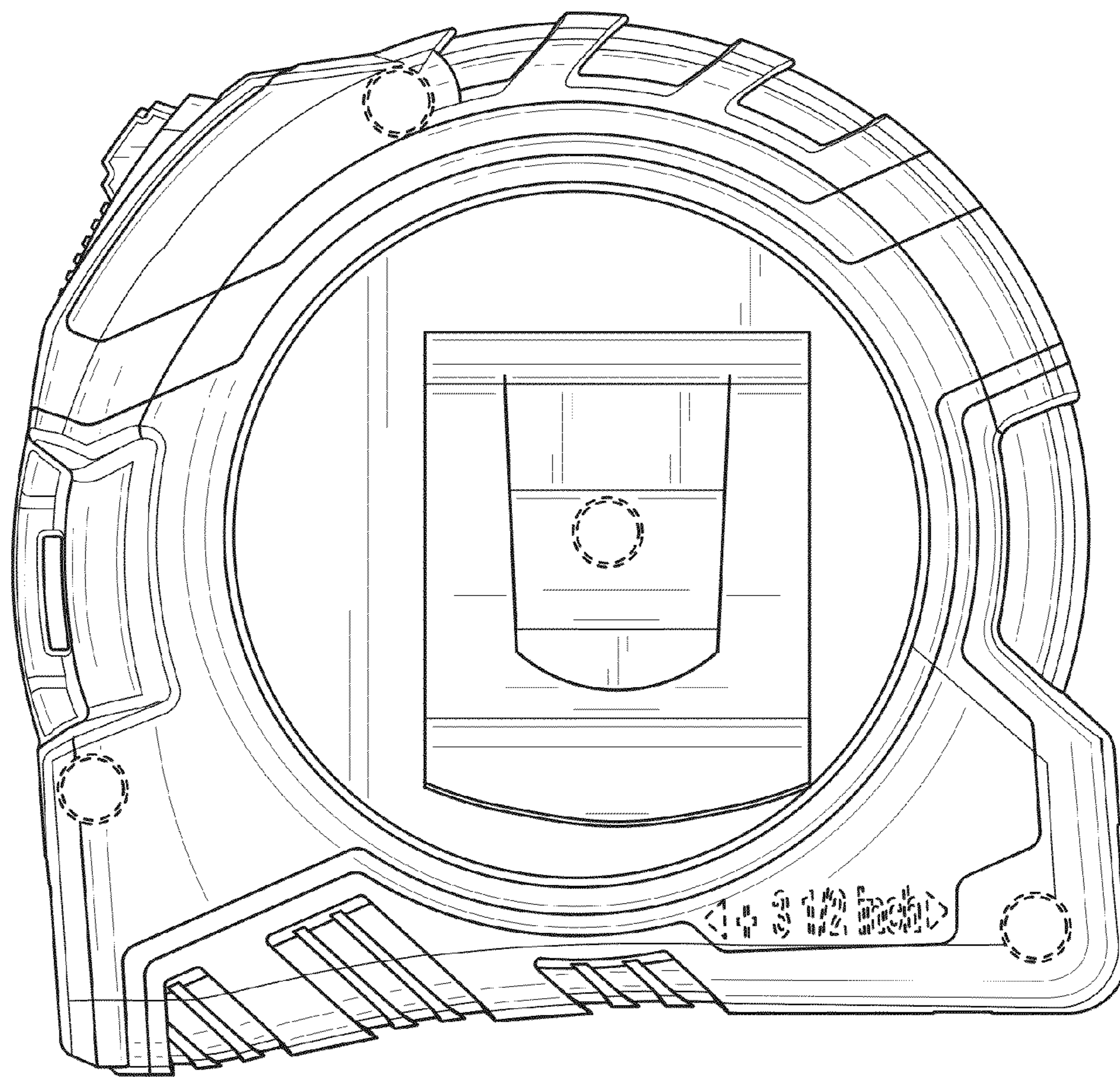


FIG. 3

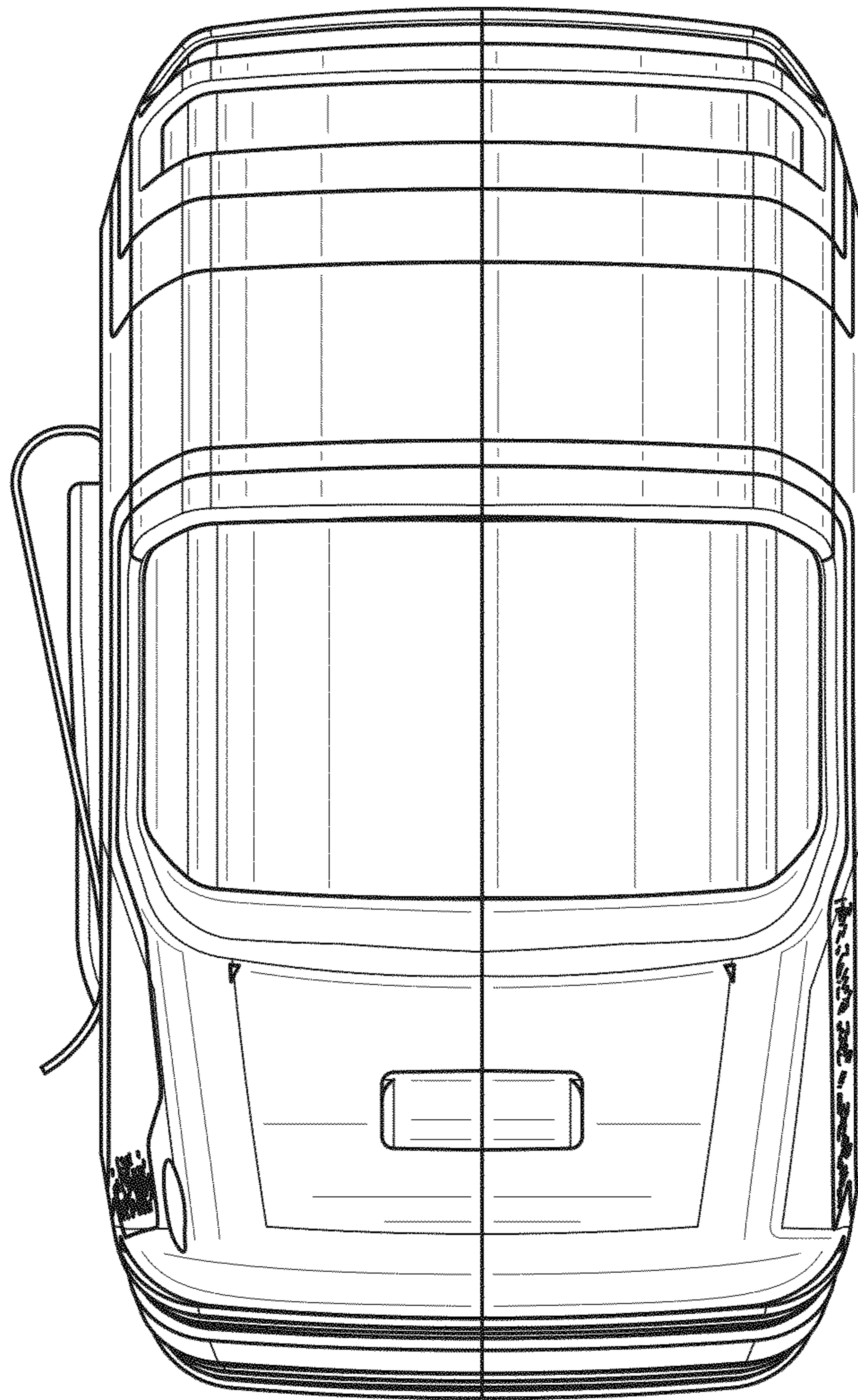


FIG. 4

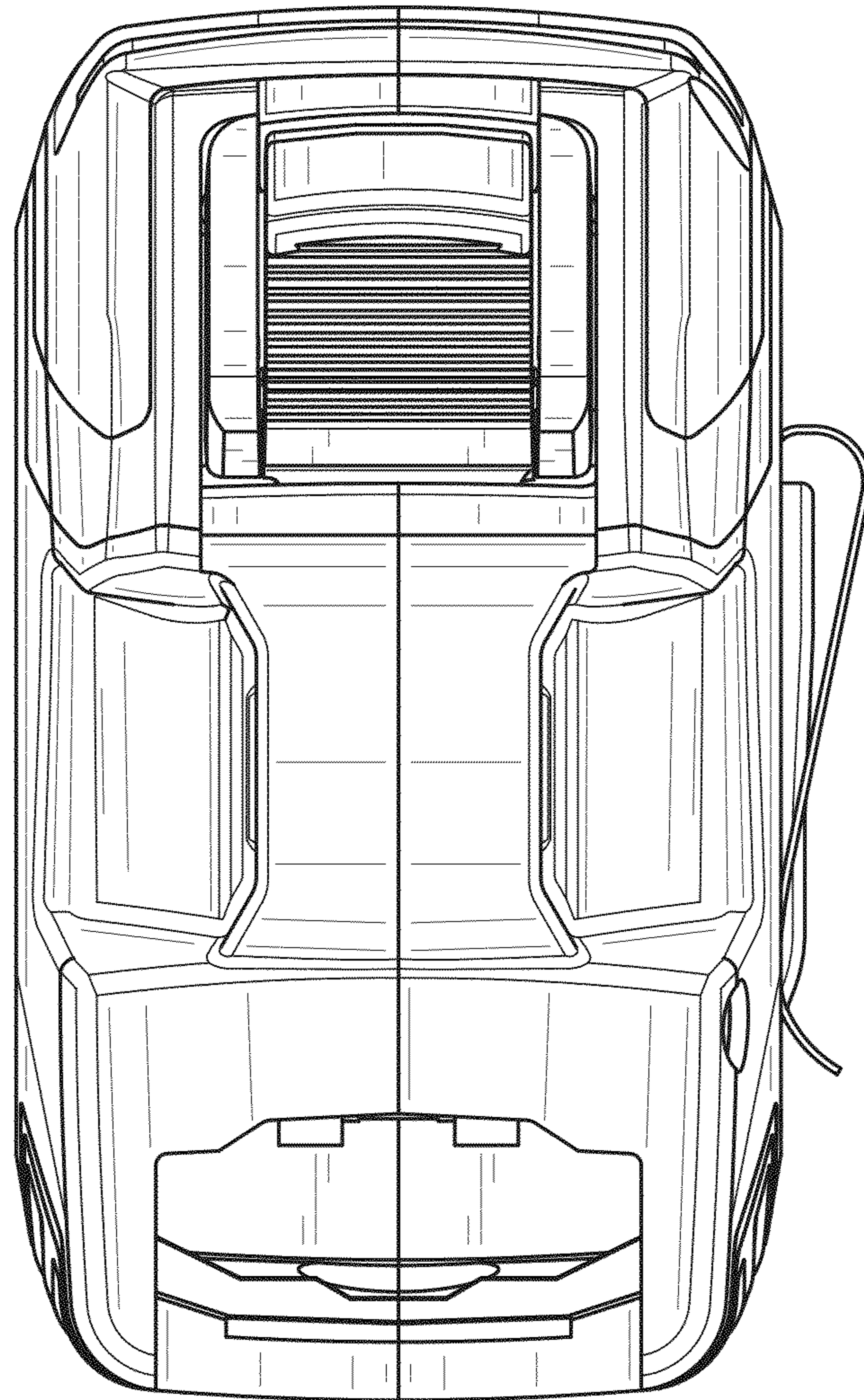


FIG. 5

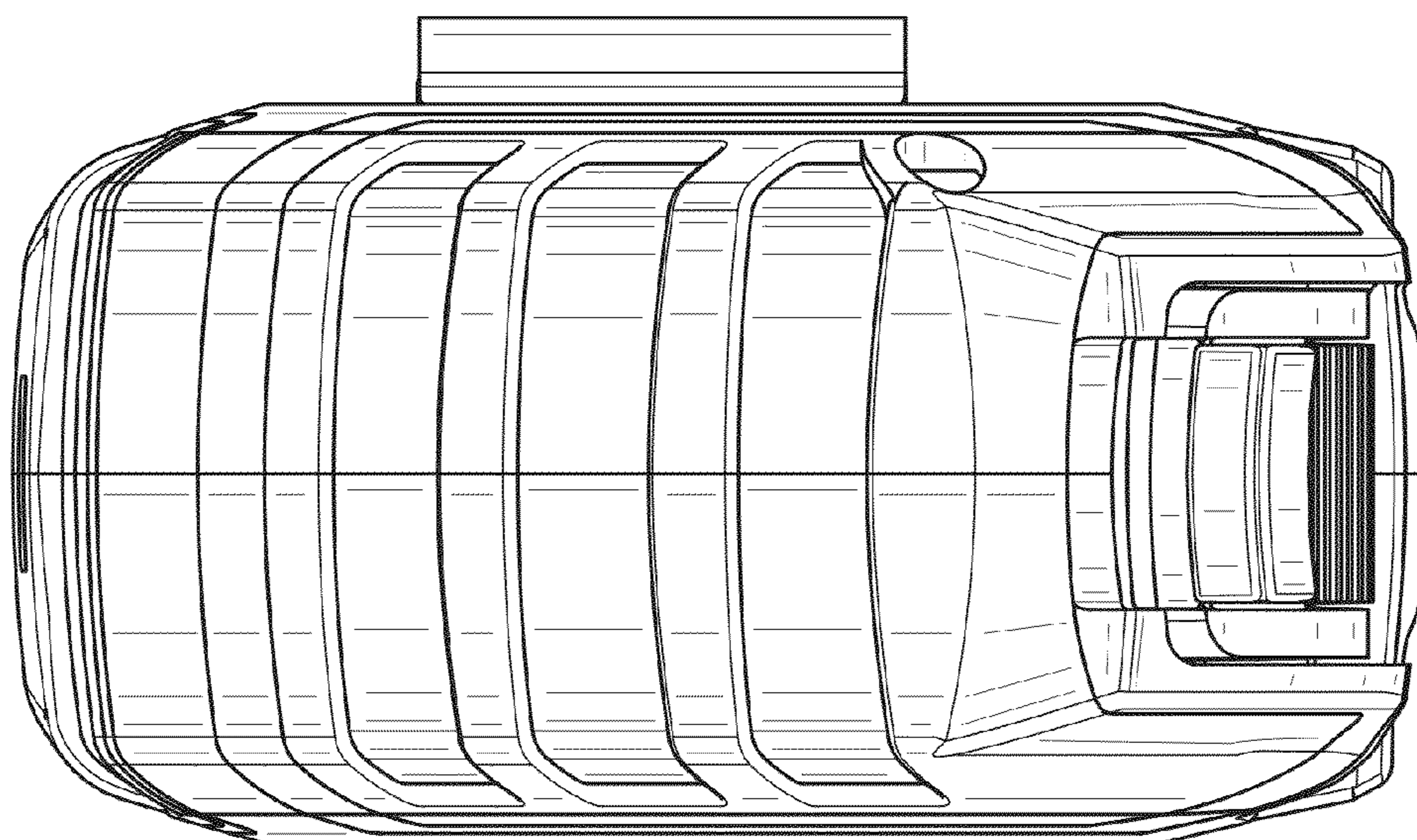


FIG. 6

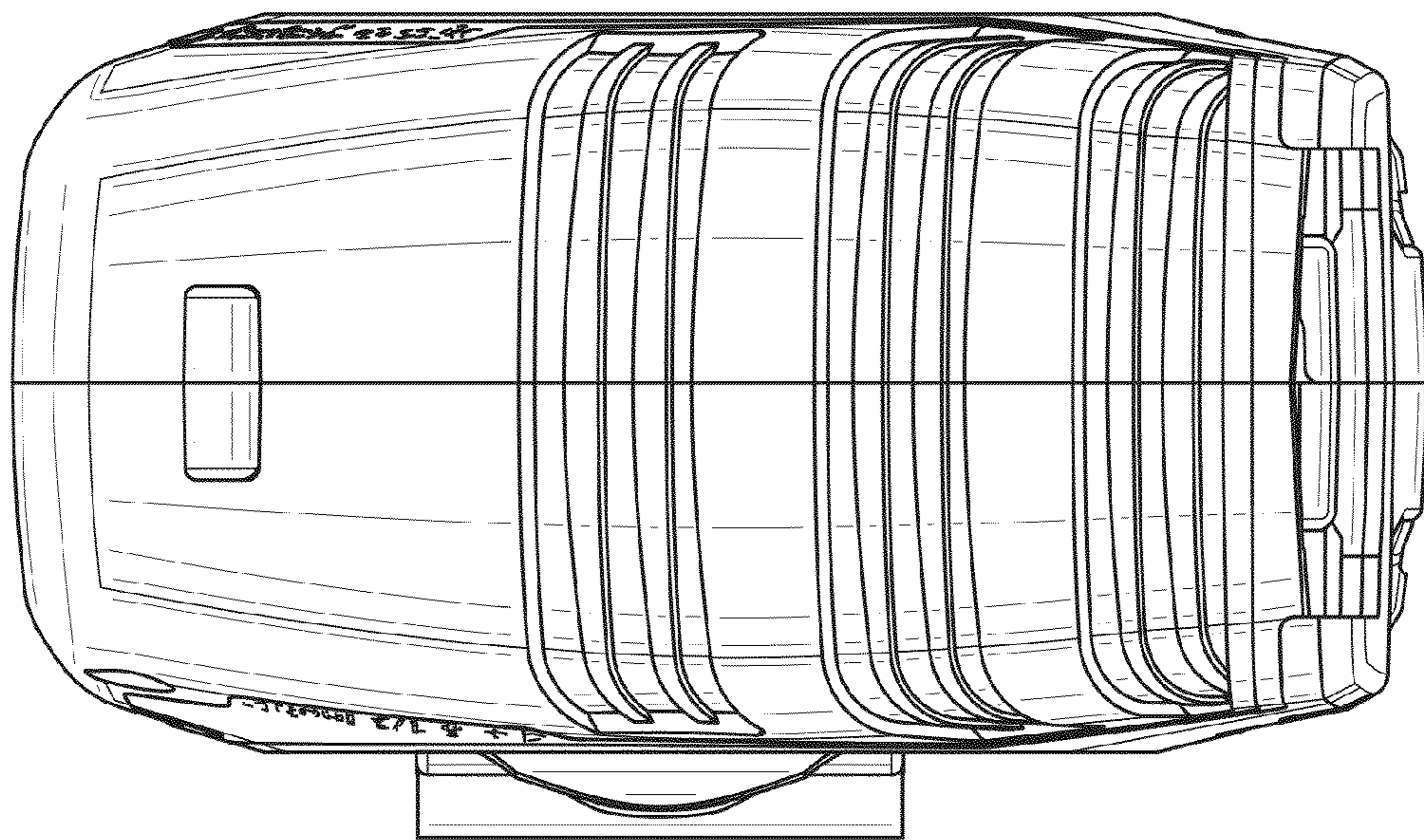


FIG. 7