

US00D726041S

(12) **United States Design Patent**
Wojciechowski et al.

(10) **Patent No.:** **US D726,041 S**
(45) **Date of Patent:** **** Apr. 7, 2015**

- (54) **MEASURING WHEEL**
- (71) Applicant: **Johnson Level & Tool Mfg. Co., Inc.**,
Mequon, WI (US)
- (72) Inventors: **Timothy J. Wojciechowski**, Hubertus,
WI (US); **William G. Johnson**, Mequon,
WI (US); **Robert A. Johnson**, Mequon,
WI (US)
- (73) Assignee: **Johnson Level & Tool Mfg. Co., Inc.**,
Mequon, WI (US)
- (**) Term: **14 Years**
- (21) Appl. No.: **29/475,726**
- (22) Filed: **Dec. 5, 2013**
- (51) **LOC (10) Cl.** **10-04**
- (52) **U.S. Cl.**
USPC **D10/70**
- (58) **Field of Classification Search**
CPC G01B 3/12
USPC D10/70
See application file for complete search history.

D498,153	S *	11/2004	Stevermer	D10/70
D500,692	S	1/2005	Olson et al.		
6,892,470	B2	5/2005	Olson et al.		
7,040,036	B1 *	5/2006	Wang	33/782
7,131,216	B2	11/2006	Nepil		
D571,238	S *	6/2008	Stervermer	D10/70
7,555,846	B1 *	7/2009	Wang	33/772
8,522,448	B2 *	9/2013	Lai	33/782
8,572,861	B2	11/2013	Lai		
2007/0084076	A1 *	4/2007	Wang	33/772
2008/0148591	A1 *	6/2008	Kao Lin	33/772
2009/0165257	A1 *	7/2009	Lin	16/429
2010/0024235	A1 *	2/2010	Tang	33/782
2010/0024236	A1 *	2/2010	Tang	33/782
2011/0068778	A1 *	3/2011	Lai	324/207.25
2013/0133217	A1 *	5/2013	Lai	33/782

* cited by examiner

Primary Examiner — Antoine D Davis
(74) *Attorney, Agent, or Firm* — Boyle Fredrickson, S.C.

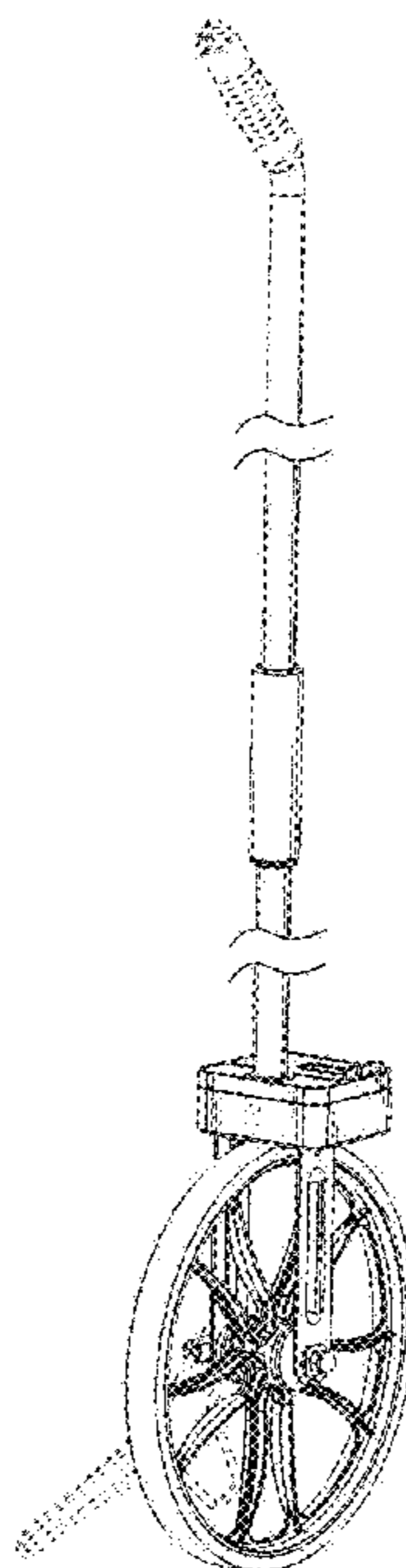
(57) **CLAIM**
The ornamental design of a measuring wheel, as shown and described.

DESCRIPTION

FIG. 1 is an isometric view of a measuring wheel incorporating our new design, wherein the portions illustrated in phantom form no part of the claimed design;
FIG. 2 is a right side elevation view thereof;
FIG. 3 is a left side elevation view thereof;
FIG. 4 is a rear elevation view thereof;
FIG. 5 is a front elevation view thereof;
FIG. 6 is a top plan view thereof; and,
FIG. 7 is a bottom plan view thereof.

1 Claim, 4 Drawing Sheets

- (56) **References Cited**
U.S. PATENT DOCUMENTS
- 3,673,693 A * 7/1972 Evans, Jr. 33/781
- 3,696,510 A * 10/1972 Evans, Jr. 33/781
- 3,835,543 A * 9/1974 Polydoris et al. 33/781
- 5,052,687 A * 10/1991 Katerba 473/150
- D383,399 S 9/1997 Cragie et al.
- D437,796 S 2/2001 Risi
- D486,406 S 2/2004 Critelli et al.
- D491,081 S 6/2004 Olson et al.



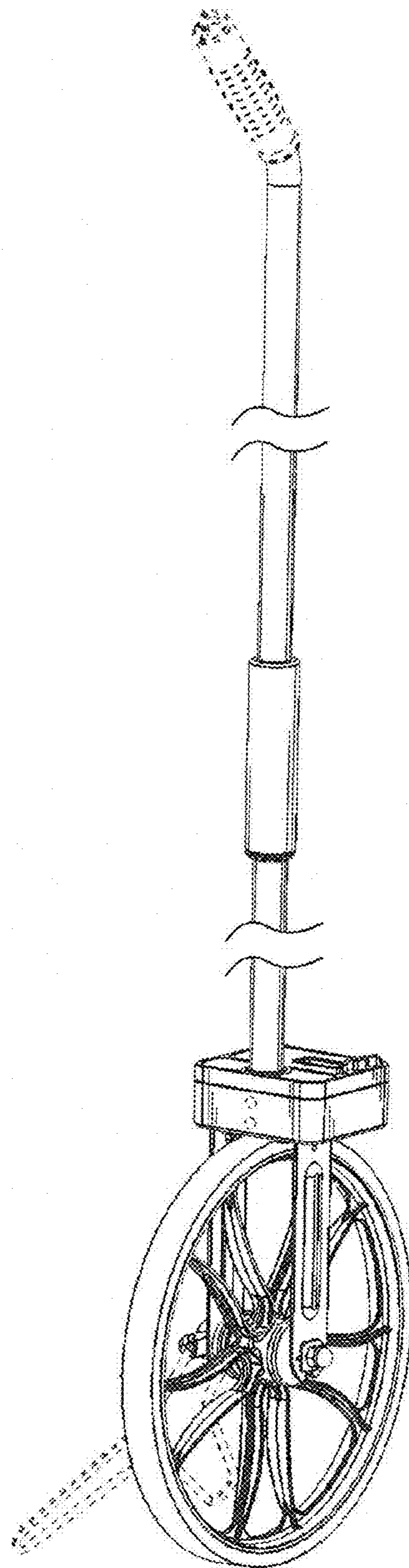
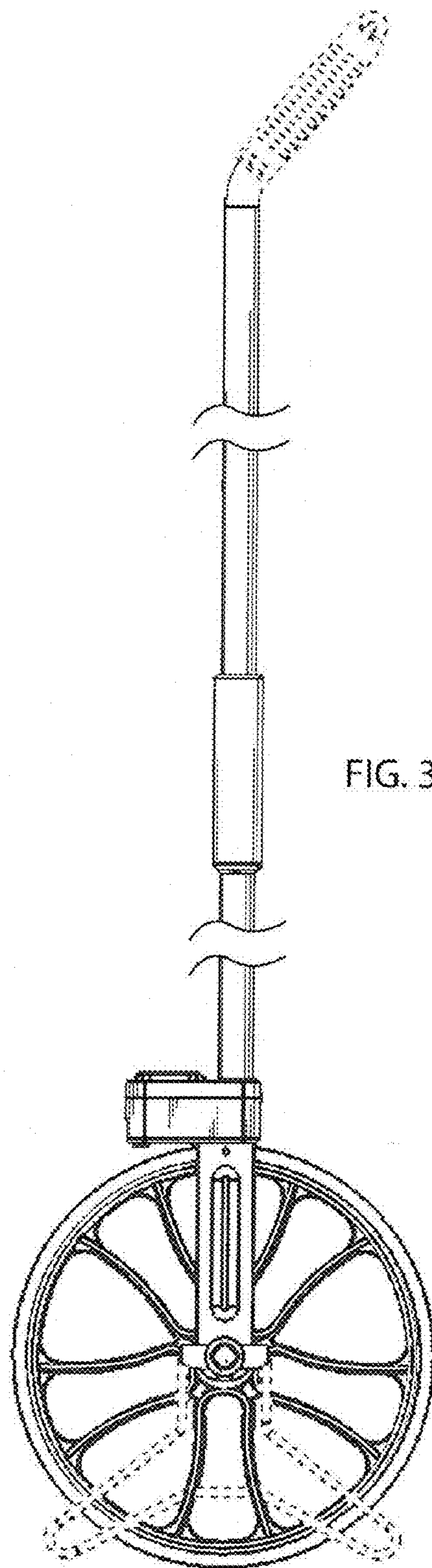
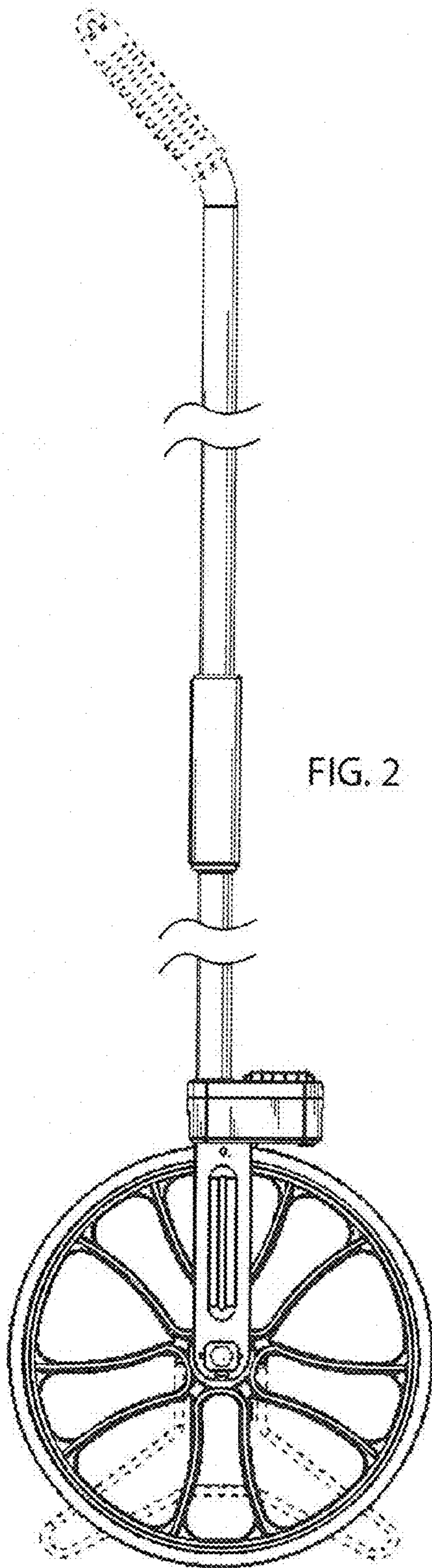
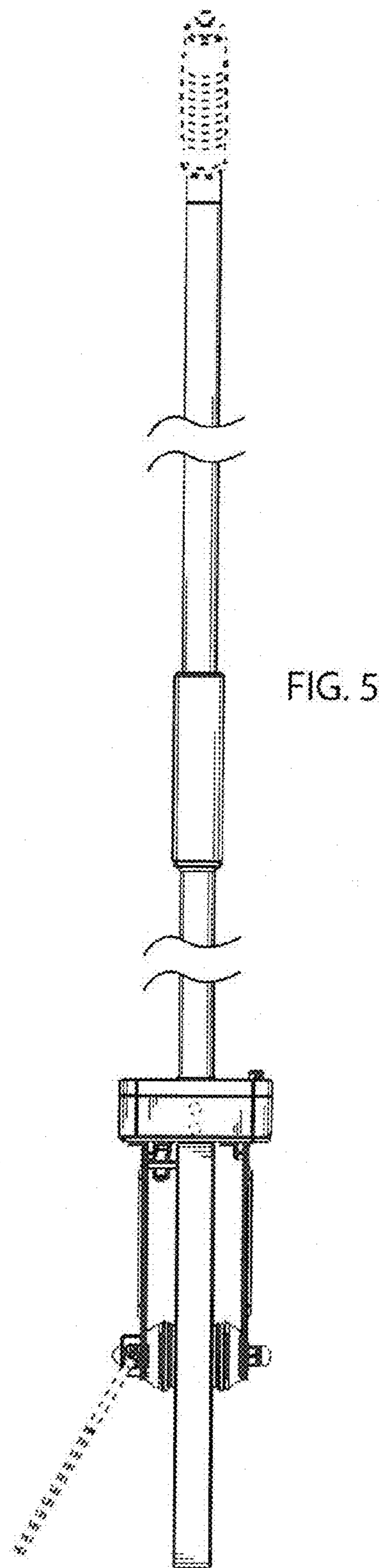
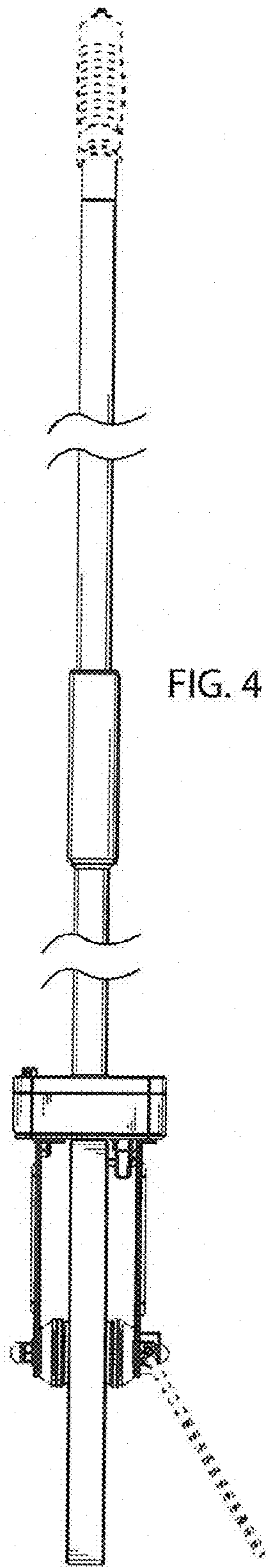


FIG. 1





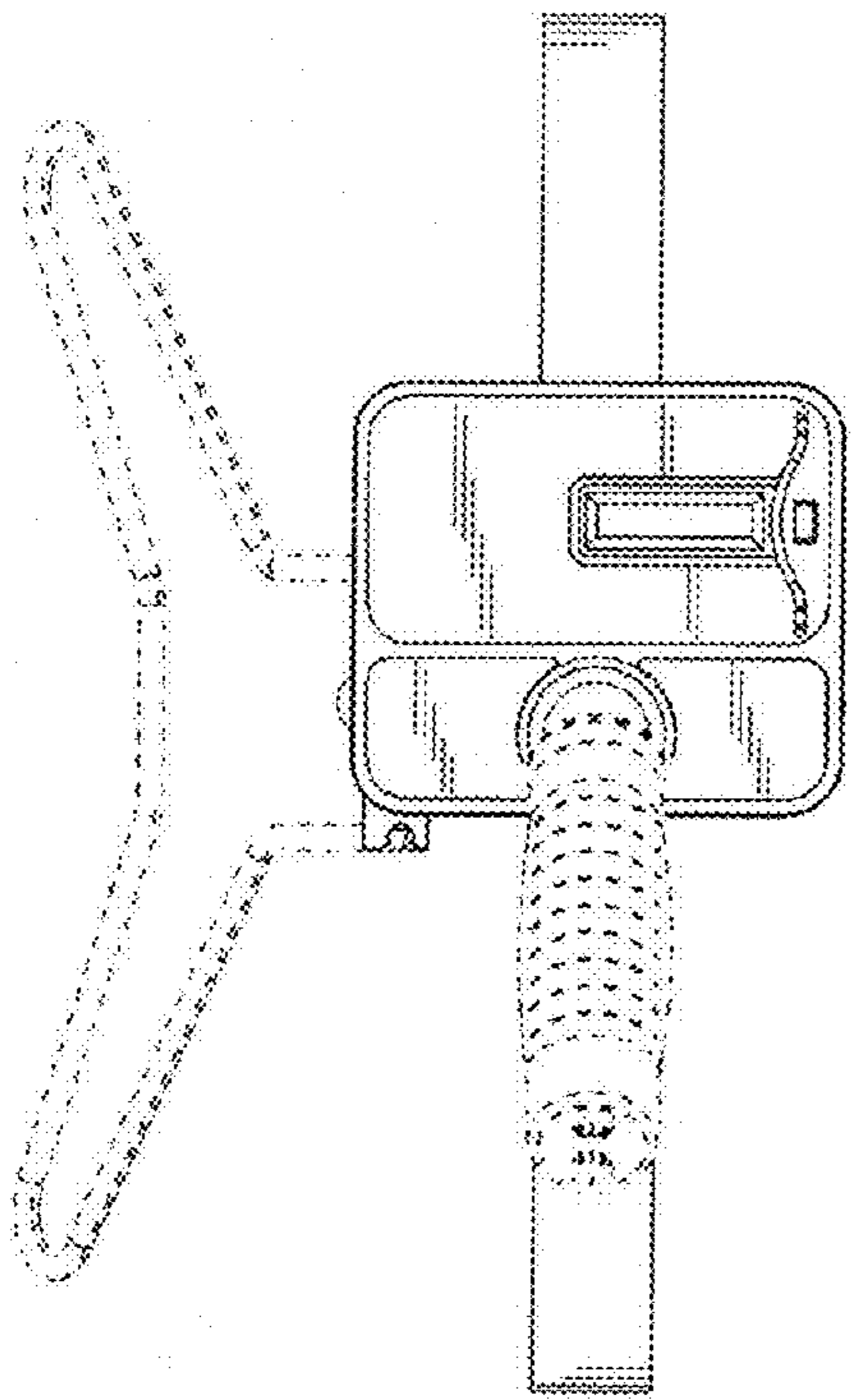


FIG. 6

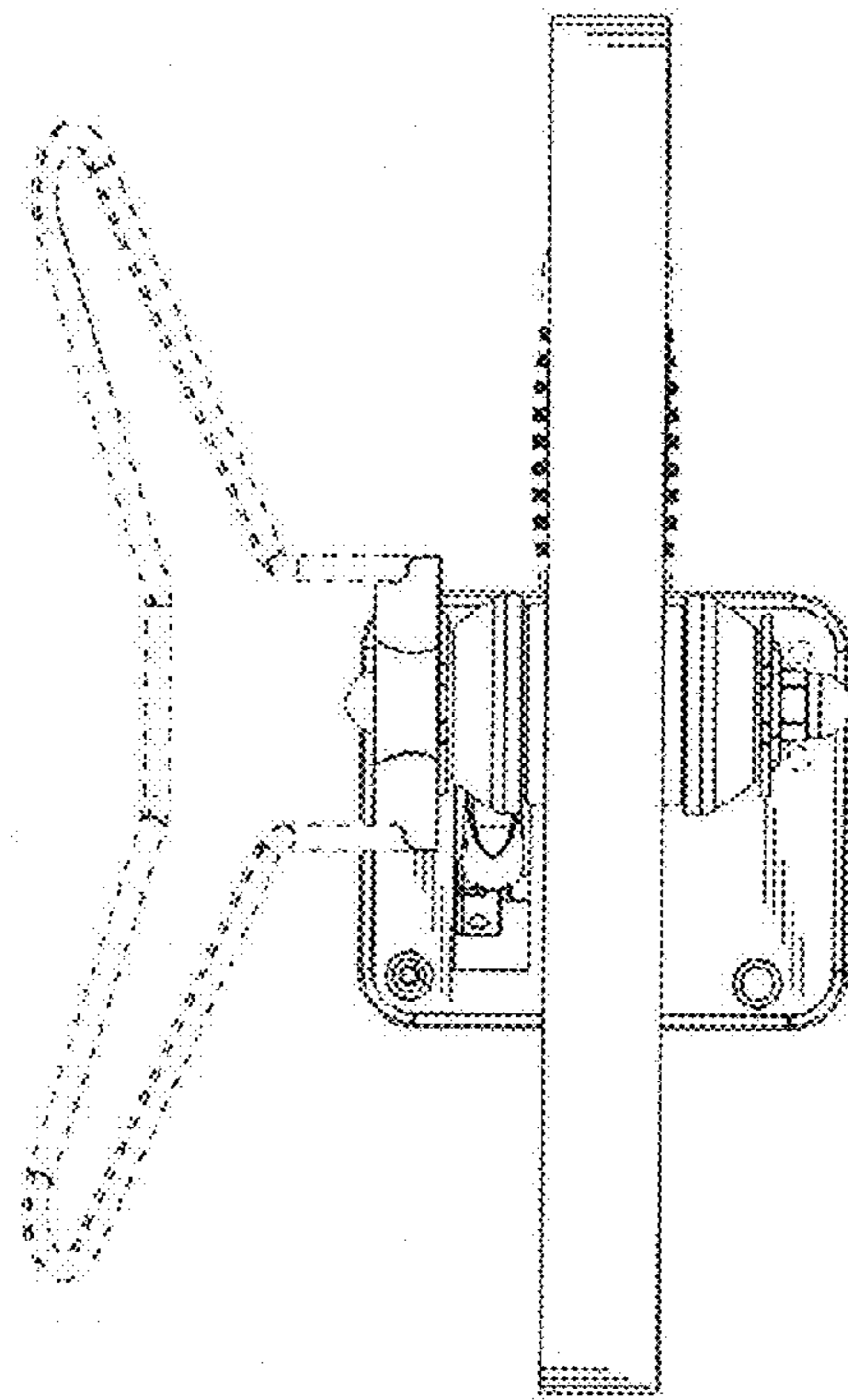


FIG. 7