



US00D726039S

(12) **United States Design Patent**  
**Wojciechowski et al.**

(10) **Patent No.:** **US D726,039 S**  
(45) **Date of Patent:** **\*\* Apr. 7, 2015**

(54) **MEASURING WHEEL**

(71) Applicant: **Johnson Level & Tool Mfg. Co., Inc.**,  
Mequon, WI (US)

(72) Inventors: **Timothy J. Wojciechowski**, Hubertus,  
WI (US); **William G. Johnson**, Mequon,  
WI (US); **Robert A. Johnson**, Mequon,  
WI (US)

(73) Assignee: **Johnson Level & Tool Mfg. Co., Inc.**,  
Mequon, WI (US)

(\*\*) Term: **14 Years**

(21) Appl. No.: **29/475,720**

(22) Filed: **Dec. 5, 2013**

(51) **LOC (10) Cl.** ..... **10-04**

(52) **U.S. Cl.**  
USPC ..... **D10/70**

(58) **Field of Classification Search**  
CPC ..... G01B 3/12  
USPC ..... D10/70  
See application file for complete search history.

(56) **References Cited**

**U.S. PATENT DOCUMENTS**

D214,756 S	7/1969	Kenworthy	
3,673,693 A *	7/1972	Evans, Jr.	33/781
3,696,510 A *	10/1972	Evans, Jr.	33/781
3,820,246 A	6/1974	Evans, Jr.	
3,835,543 A *	9/1974	Polydoris et al.	33/781
5,052,687 A *	10/1991	Katerba	473/150
D383,399 S	9/1997	Cragie et al.	
D437,796 S	2/2001	Risi	

D486,406 S	2/2004	Critelli et al.	
D498,153 S *	11/2004	Stevermer	D10/70
D511,305 S	11/2005	Stevermer	
7,040,036 B1 *	5/2006	Wang	33/782
D571,238 S *	6/2008	Stervermer	D10/70
7,555,846 B1 *	7/2009	Wang	33/772
8,310,227 B2	11/2012	Lai	
8,479,407 B2	7/2013	Nepil	
8,522,448 B2 *	9/2013	Lai	33/782
2007/0084076 A1 *	4/2007	Wang	33/772
2008/0148591 A1 *	6/2008	Kao Lin	33/772
2009/0165257 A1 *	7/2009	Lin	16/429
2010/0024235 A1 *	2/2010	Tang	33/782
2010/0024236 A1 *	2/2010	Tang	33/782
2011/0068778 A1 *	3/2011	Lai	324/207.25
2013/0133217 A1 *	5/2013	Lai	33/782

\* cited by examiner

*Primary Examiner* — Antoine D Davis

(74) *Attorney, Agent, or Firm* — Boyle Fredrickson, S.C.

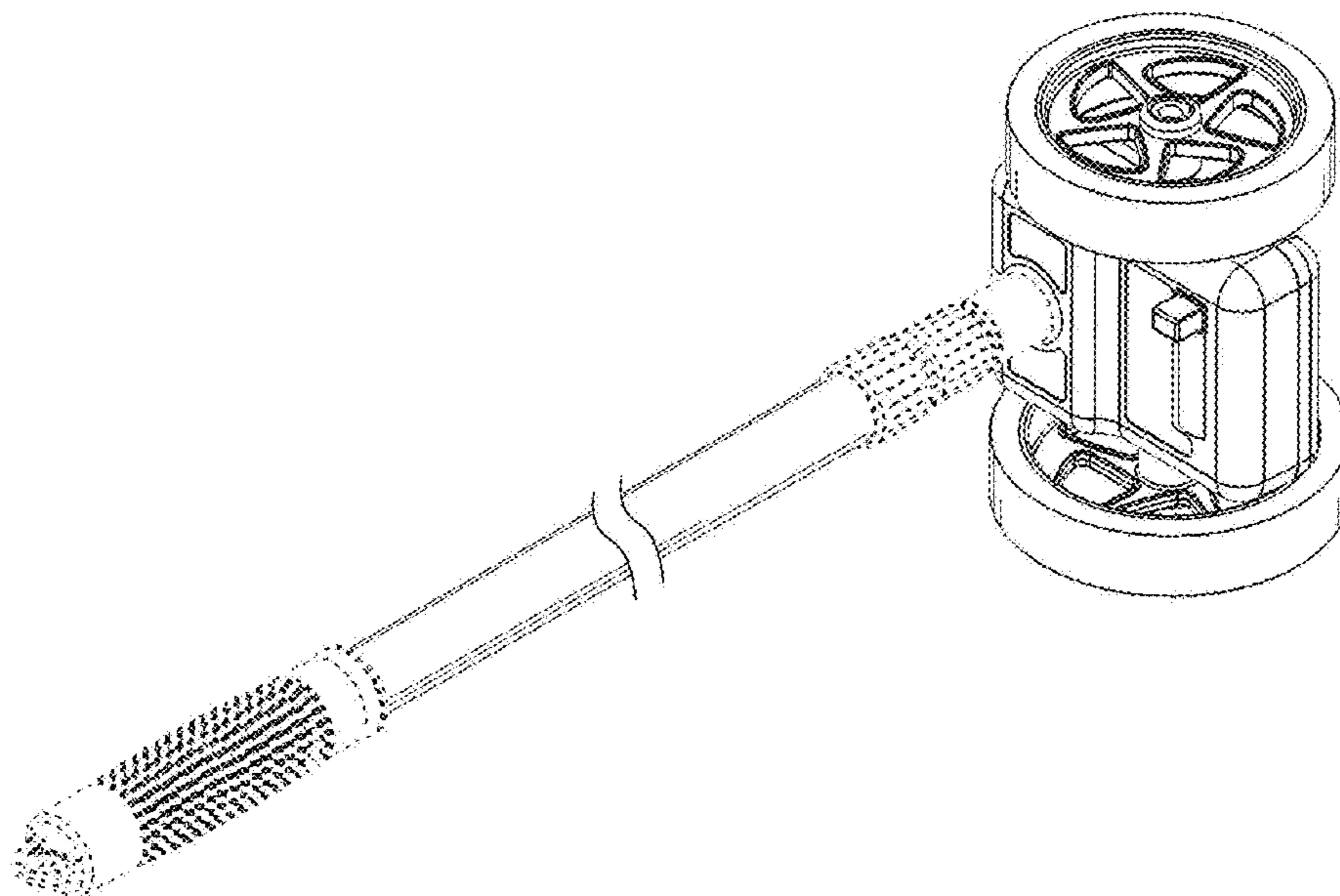
(57) **CLAIM**

The ornamental design of a measuring wheel, as shown and described.

**DESCRIPTION**

FIG. 1 is an isometric view of a measuring wheel incorporating our new design, wherein the portions illustrated in phantom form no part of the claimed design; FIG. 2 is a right side elevation view thereof; FIG. 3 is a left side elevation view thereof; FIG. 4 is a rear elevation view thereof; FIG. 5 is a front elevation view thereof; FIG. 6 is a top plan view thereof; and, FIG. 7 is a bottom plan view thereof.

**1 Claim, 4 Drawing Sheets**



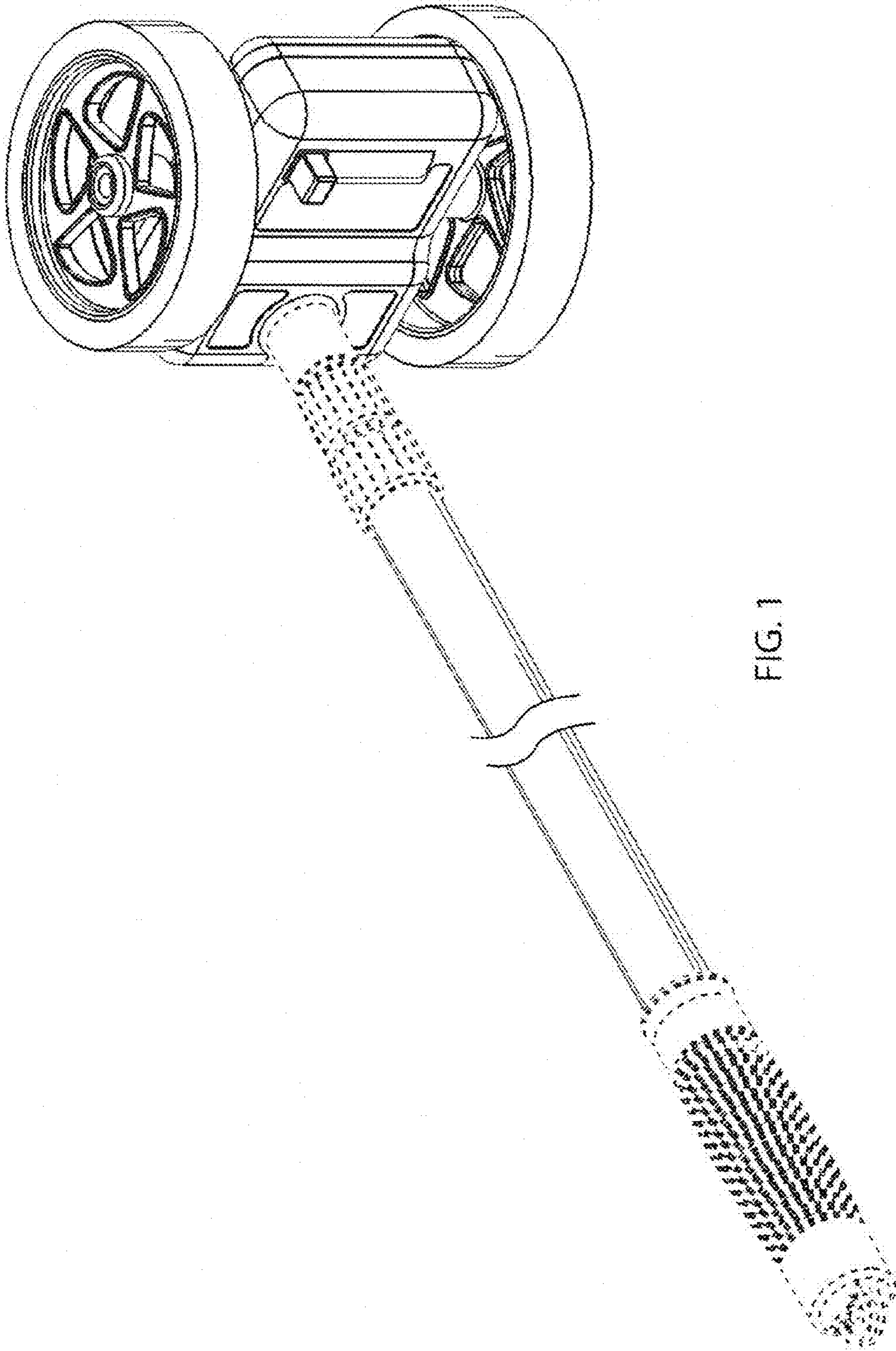
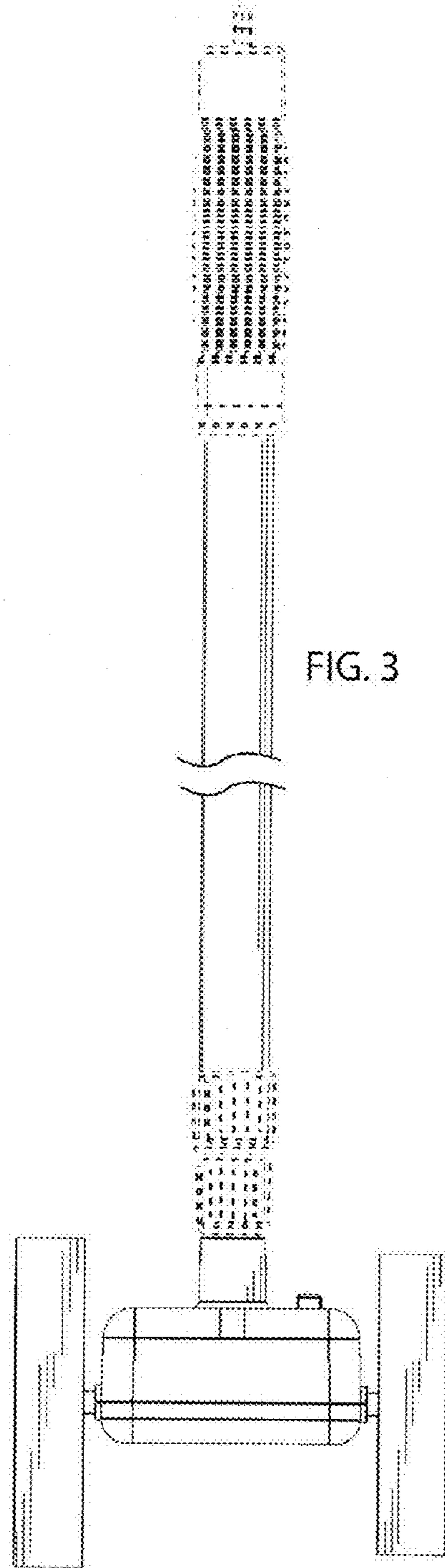
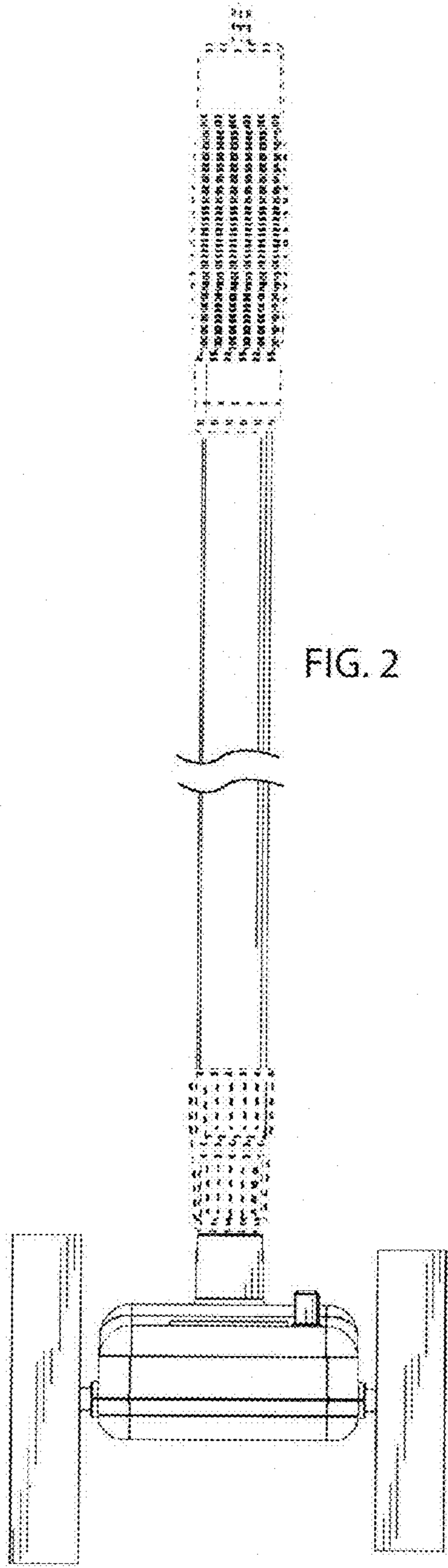


FIG. 1



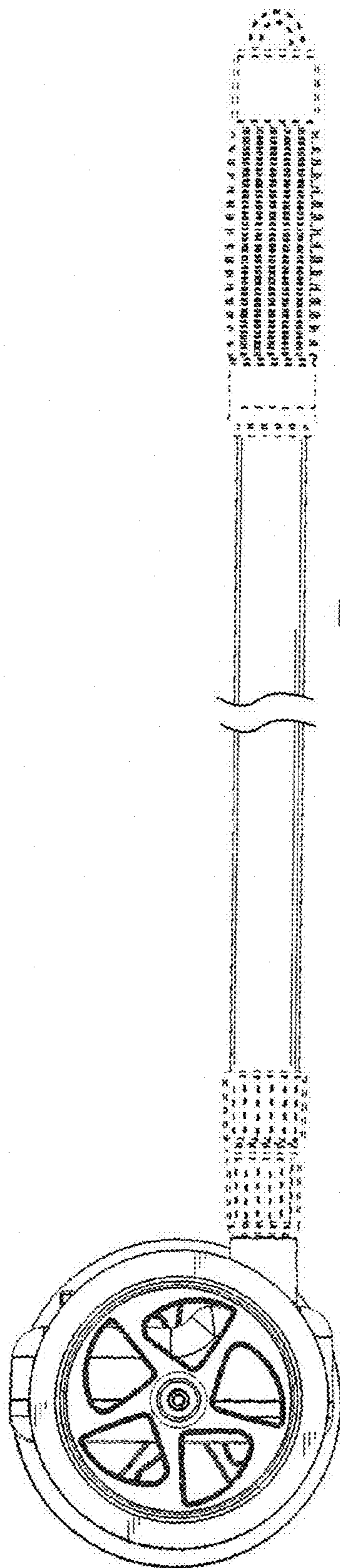


FIG. 4

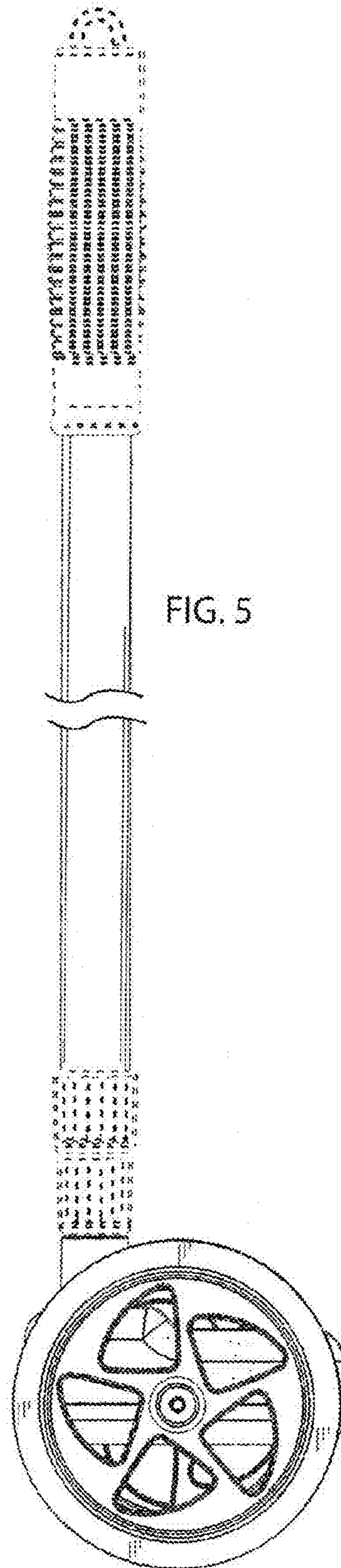


FIG. 5

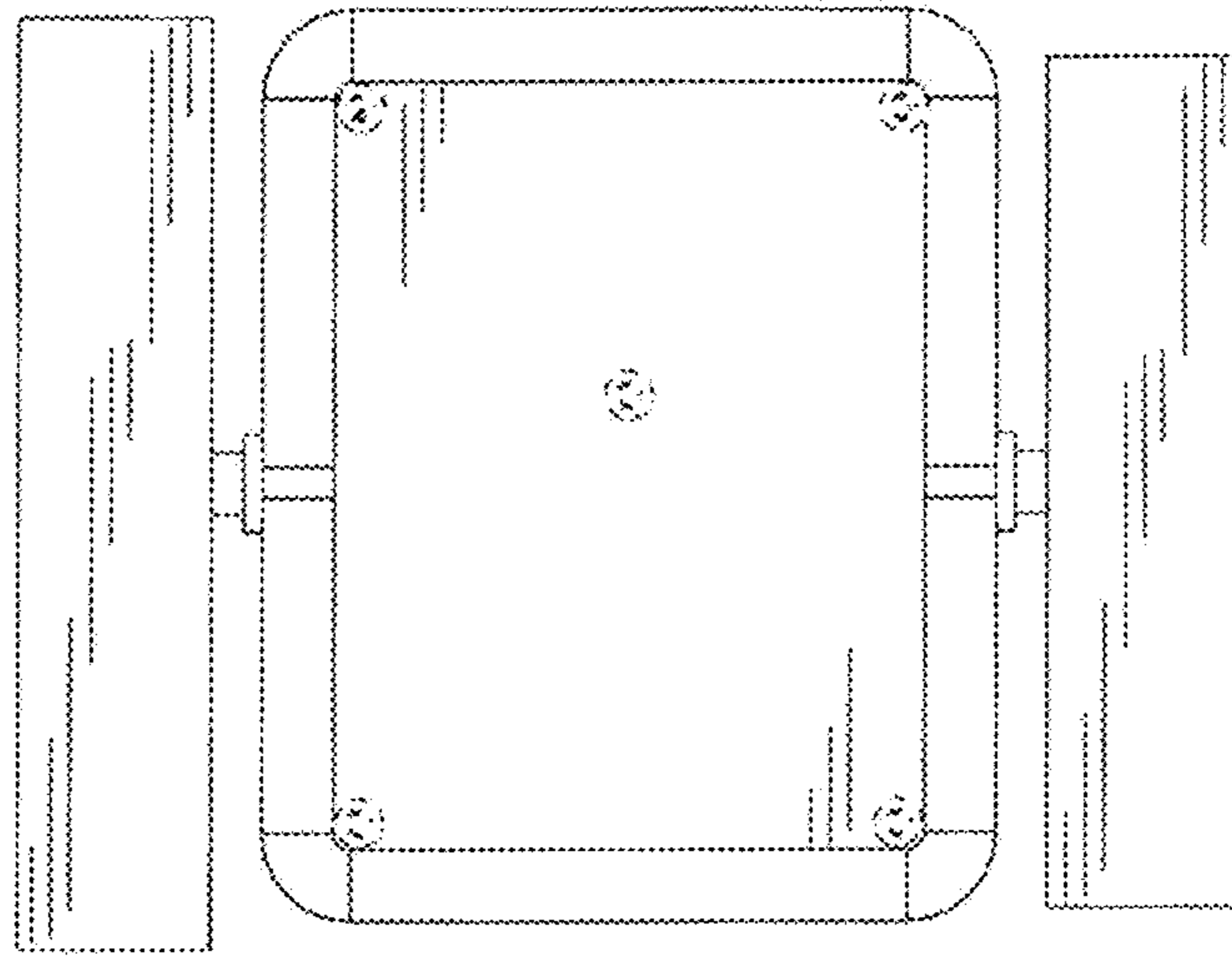


FIG. 6

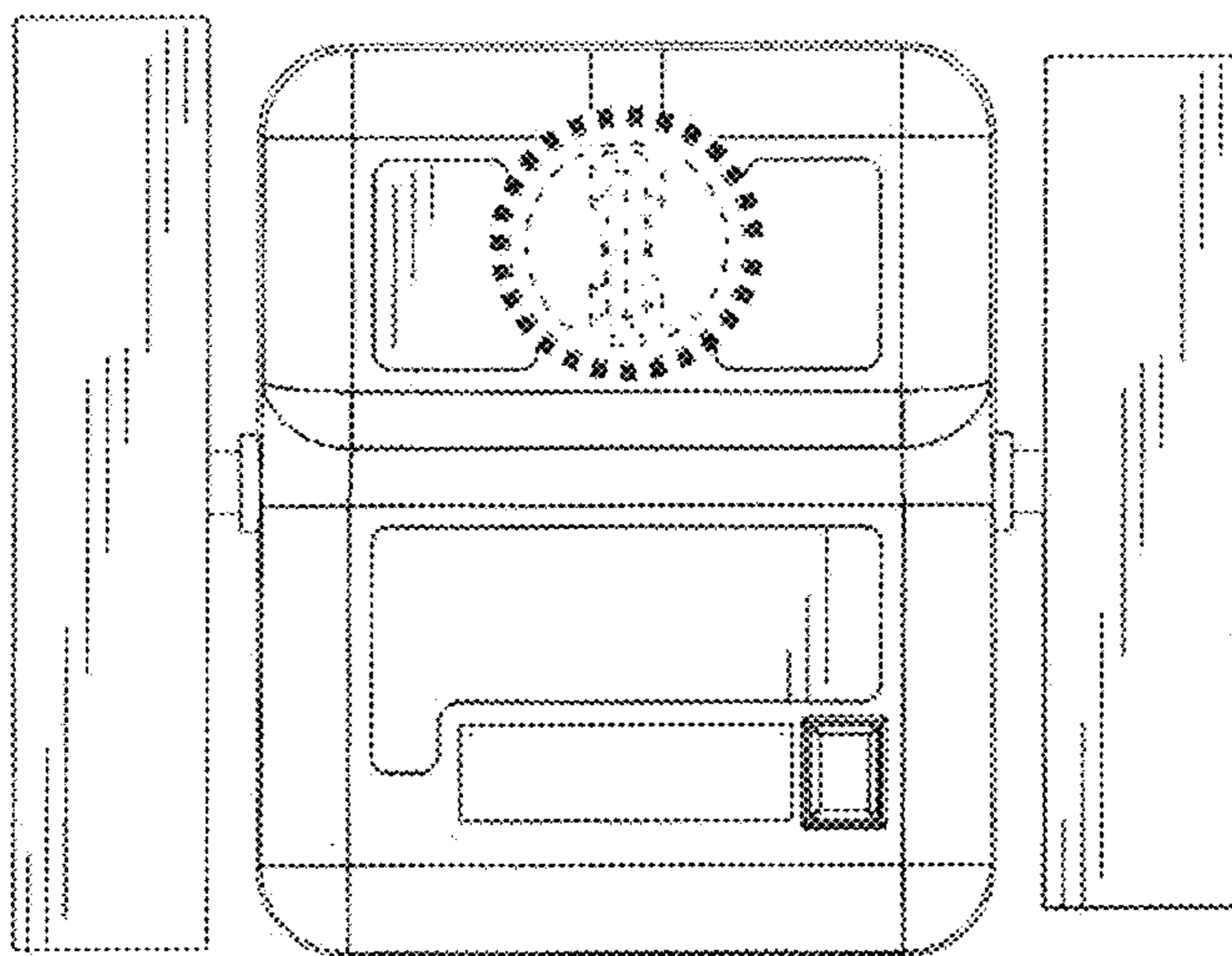


FIG. 7