



US00D726036S

(12) **United States Design Patent**  
**Zieman**

(10) **Patent No.:** **US D726,036 S**  
(45) **Date of Patent:** **\*\* Apr. 7, 2015**

(54) **SLIDING DIAGONAL GAUGE FOR HANDICRAFTS**

2009/0085268 A1\* 4/2009 Ozeki ..... 269/48

\* cited by examiner

(71) Applicant: **Clover Mfg. Co., Ltd.**, Osaka-shi, Osaka (JP)

*Primary Examiner* — Antoine D Davis

(74) *Attorney, Agent, or Firm* — Hamre, Schumann, Mueller & Larson, P.C.

(72) Inventor: **Nancy L. Zieman**, Beaver Dam, WI (US)

(57) **CLAIM**

I claim the ornamental design for a sliding diagonal gauge for handicrafts, as shown and described.

(73) Assignee: **Clover Mfg. Co., Ltd.**, Osaka (JP)

**DESCRIPTION**

(\*\*) Term: **14 Years**

(21) Appl. No.: **29/465,332**

FIG. 1 is a perspective view of a sliding diagonal gauge for handicrafts according to my design, the gauge including a ruler and a slider which is slidable on the ruler;

(22) Filed: **Aug. 27, 2013**

FIG. 2 is a front view of the same gauge;

(51) **LOC (10) Cl.** ..... **10-04**

FIG. 3 is a rear view of the same gauge;

(52) **U.S. Cl.**  
USPC ..... **D10/65; D15/77**

FIG. 4 is a left side view of the same gauge, which is symmetrical to a right side view;

(58) **Field of Classification Search**  
USPC ..... **D10/46, 65; D15/66, 77**  
See application file for complete search history.

FIG. 5 is a top plan view of the same gauge;

FIG. 6 is a bottom view of the same gauge;

FIG. 7 is another front view of the same gauge with the slider moved to a distal end of the ruler; and,

FIG. 8 is a front view of a modified ruler that is replaceable for the ruler of the gauge shown in FIGS. 1-7.

(56) **References Cited**

**U.S. PATENT DOCUMENTS**

3,833,157 A \* 9/1974 Lofton ..... 223/46

**1 Claim, 4 Drawing Sheets**

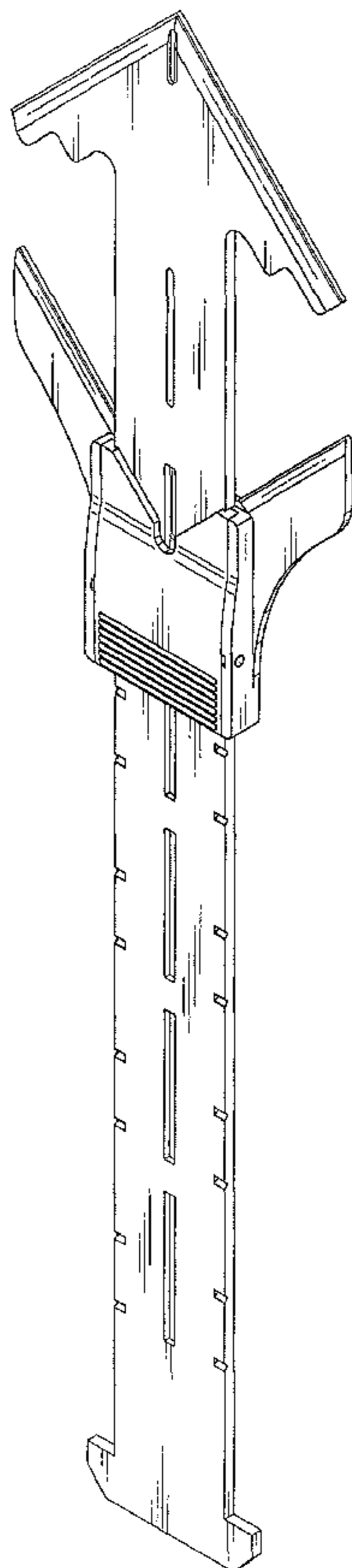


Fig. 1

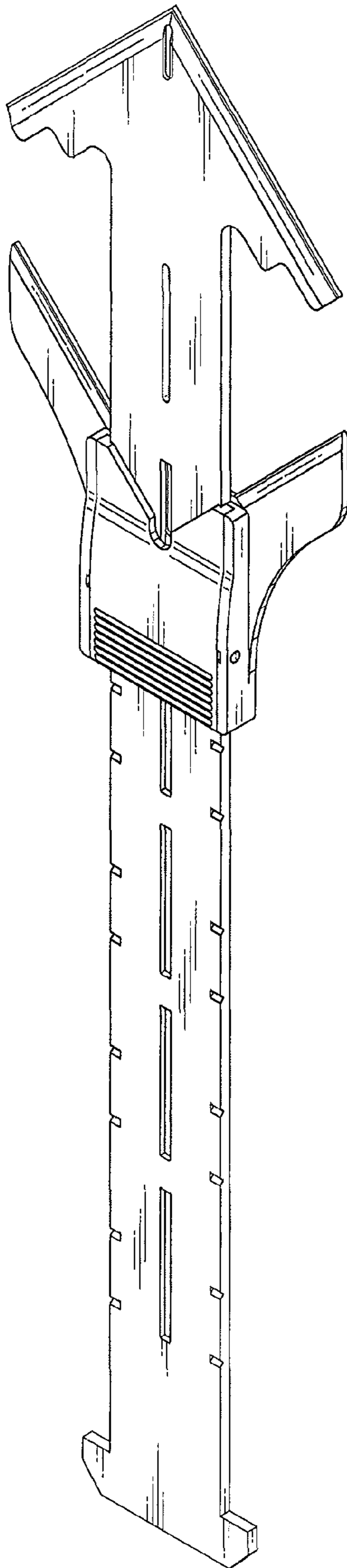


Fig. 2

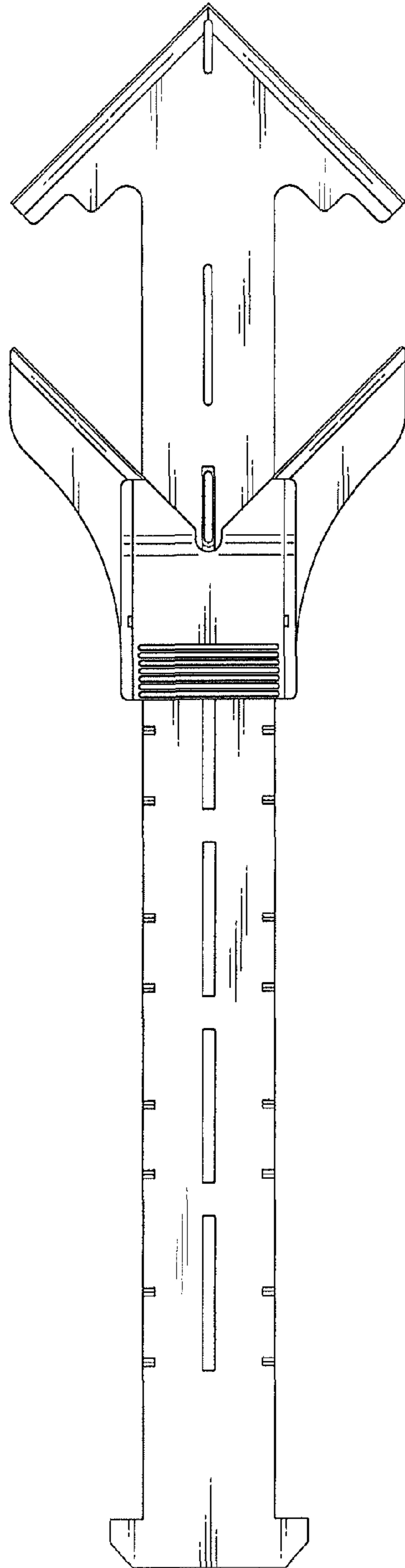


Fig. 3

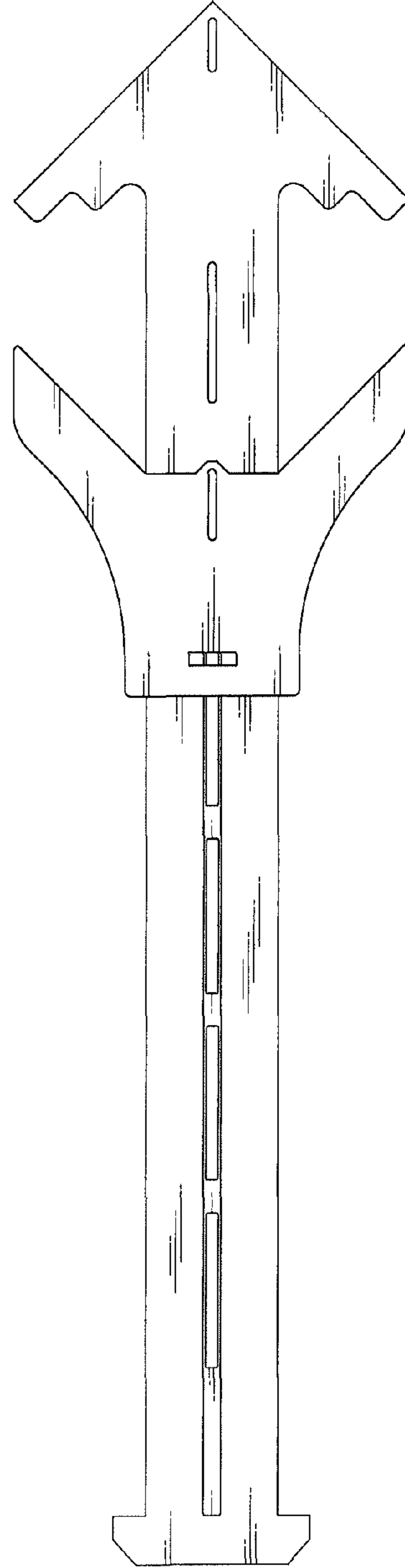


Fig. 4



Fig. 5



Fig. 6

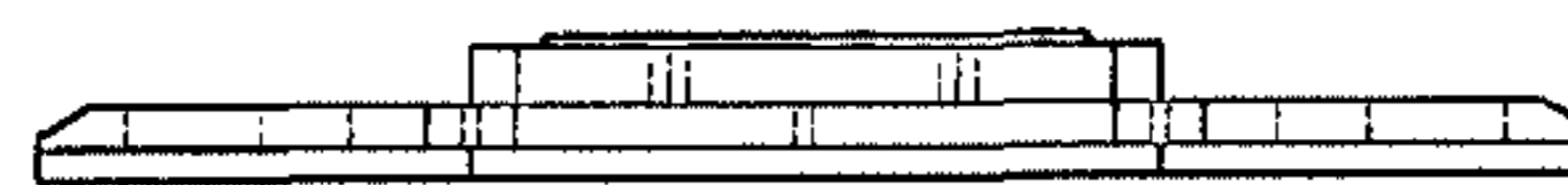


Fig. 7

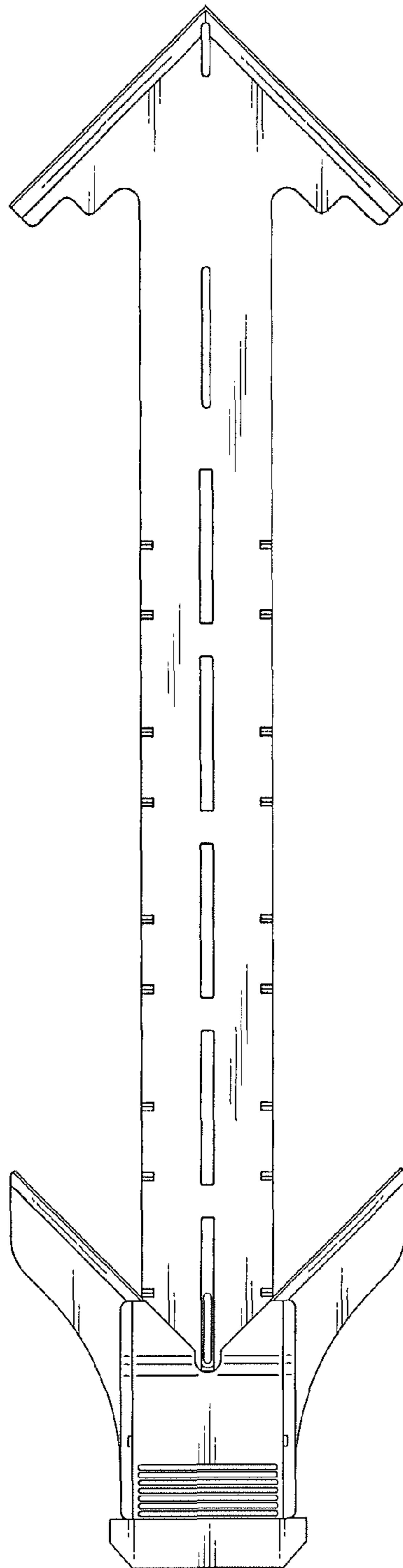


Fig. 8

