



US00D726034S

(12) **United States Design Patent**
Chalifoux

(10) **Patent No.:** **US D726,034 S**
(45) **Date of Patent:** **** Apr. 7, 2015**

(54) **POOL THERMOMETER**

(71) Applicant: **CPA Pool Products, Inc.**, Blainville
(Québec) (CA)
(72) Inventor: **Gabrielle P. Chalifoux**, Laval (CA)
(73) Assignee: **CPA Pool Products, Inc.**, Quebec (CA)
(**) Term: **14 Years**

(21) Appl. No.: **29/500,161**

(22) Filed: **Aug. 21, 2014**

(51) **LOC (10) Cl.** **10-04**

(52) **U.S. Cl.**
USPC **D10/57; D10/58**

(58) **Field of Classification Search**
CPC G01J 5/061; G01J 5/0843; G01J 5/0846;
G01J 5/0859; G01J 5/089; G01J 5/0896;
G01J 5/048; G01J 5/16; G01J 5/522; G01J
5/0205; G01J 5/0887; G01J 5/0003; G01J
5/0275; G01J 5/084; G01J 5/0834; G01J 5/12;
G01J 5/14
USPC D10/57, 58; 374/1-209,
374/E1.011-E1.017; 600/474, 549
See application file for complete search history.

(56) **References Cited**

U.S. PATENT DOCUMENTS

4,738,549	A *	4/1988	Plimpton	D10/57
D557,622	S *	12/2007	Thompson	D10/57
D588,480	S *	3/2009	Gold et al.	D10/57
D688,957	S *	9/2013	Rossano	D10/57
2005/0220169	A1 *	10/2005	McGowan-Scanlon	374/156
2014/0138293	A1 *	5/2014	Tackett et al.	210/85

* cited by examiner

Primary Examiner — Antoine D Davis

(74) *Attorney, Agent, or Firm* — Baker and Rannells, PA

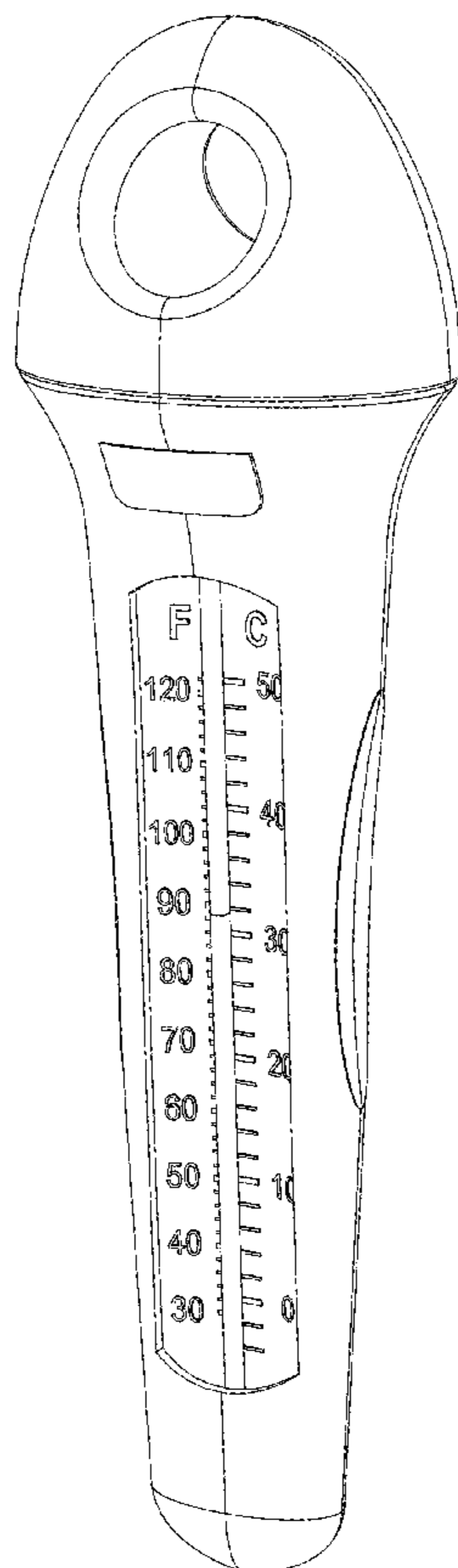
(57) **CLAIM**

The ornamental design for a pool thermometer, as shown and described.

DESCRIPTION

FIG. 1 is an isometric view of the thermometer in accordance with the new design;
FIG. 2 is a front elevational view thereof;
FIG. 3 is a rear elevational view thereof;
FIG. 4 is a right side elevational view thereof;
FIG. 5 is a left side elevational view thereof;
FIG. 6 is a top plan view thereof; and,
FIG. 7 is a bottom plan view thereof.

1 Claim, 7 Drawing Sheets



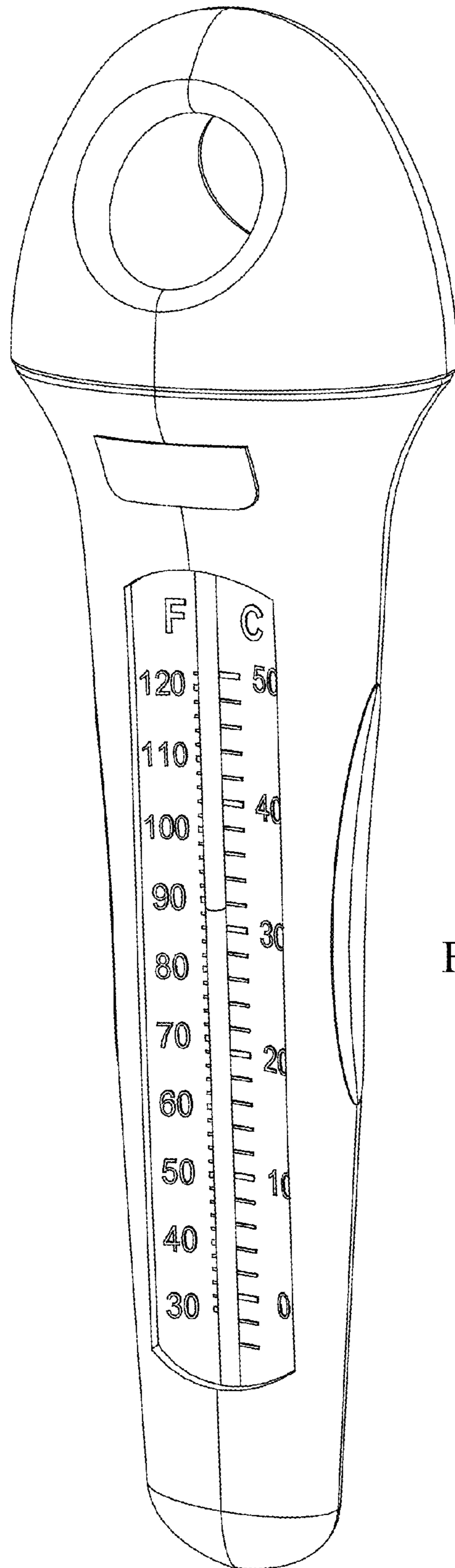


Fig. 1

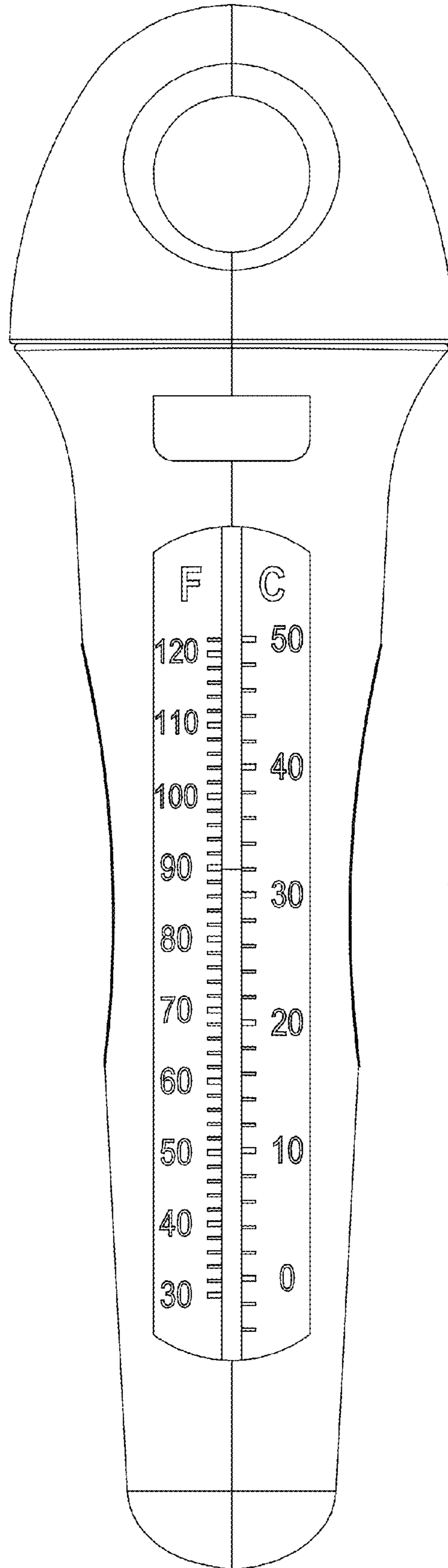


Fig. 2

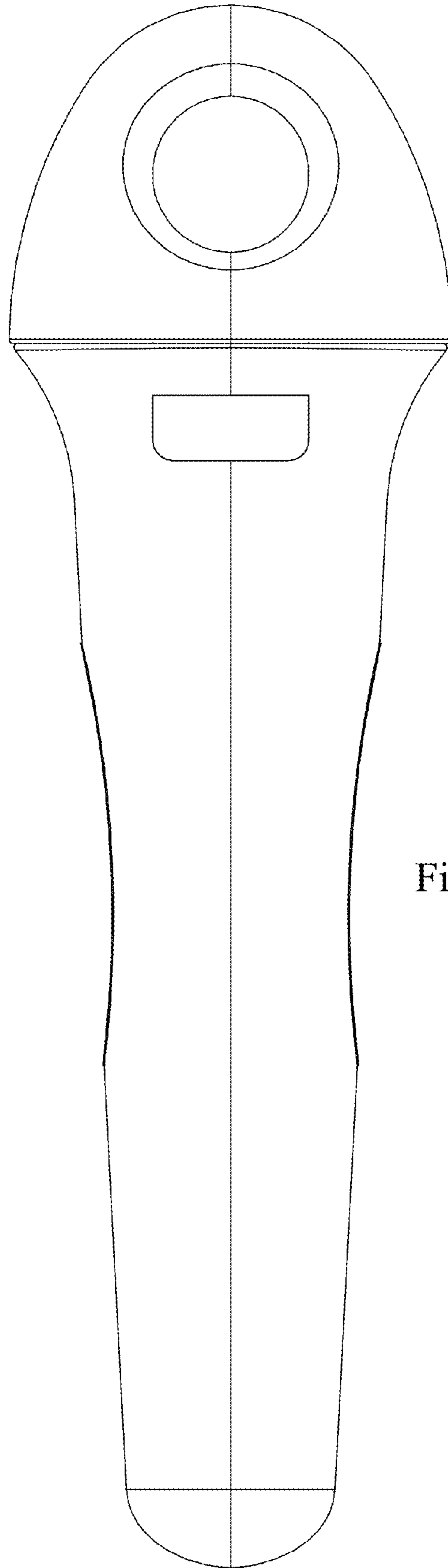


Fig. 3

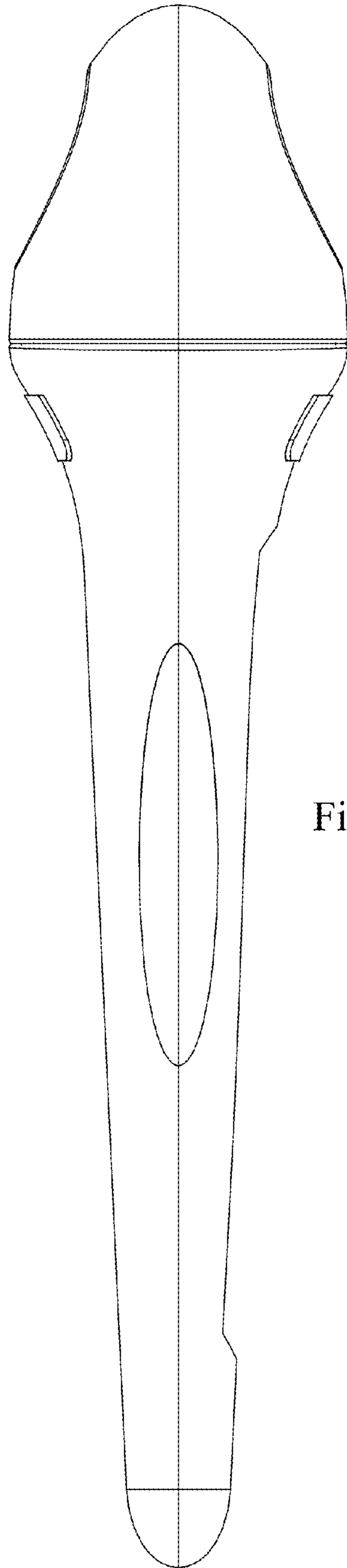


Fig. 4

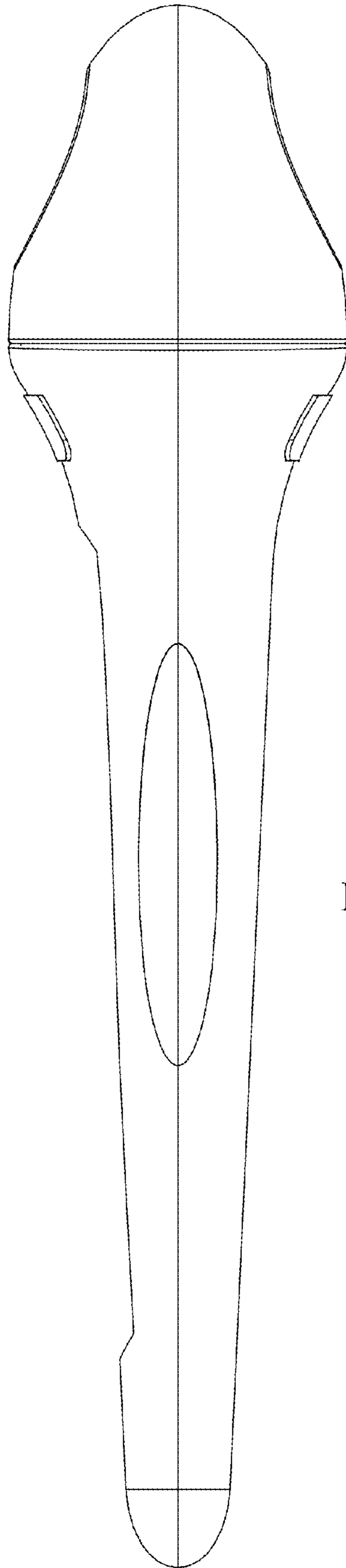


Fig. 5

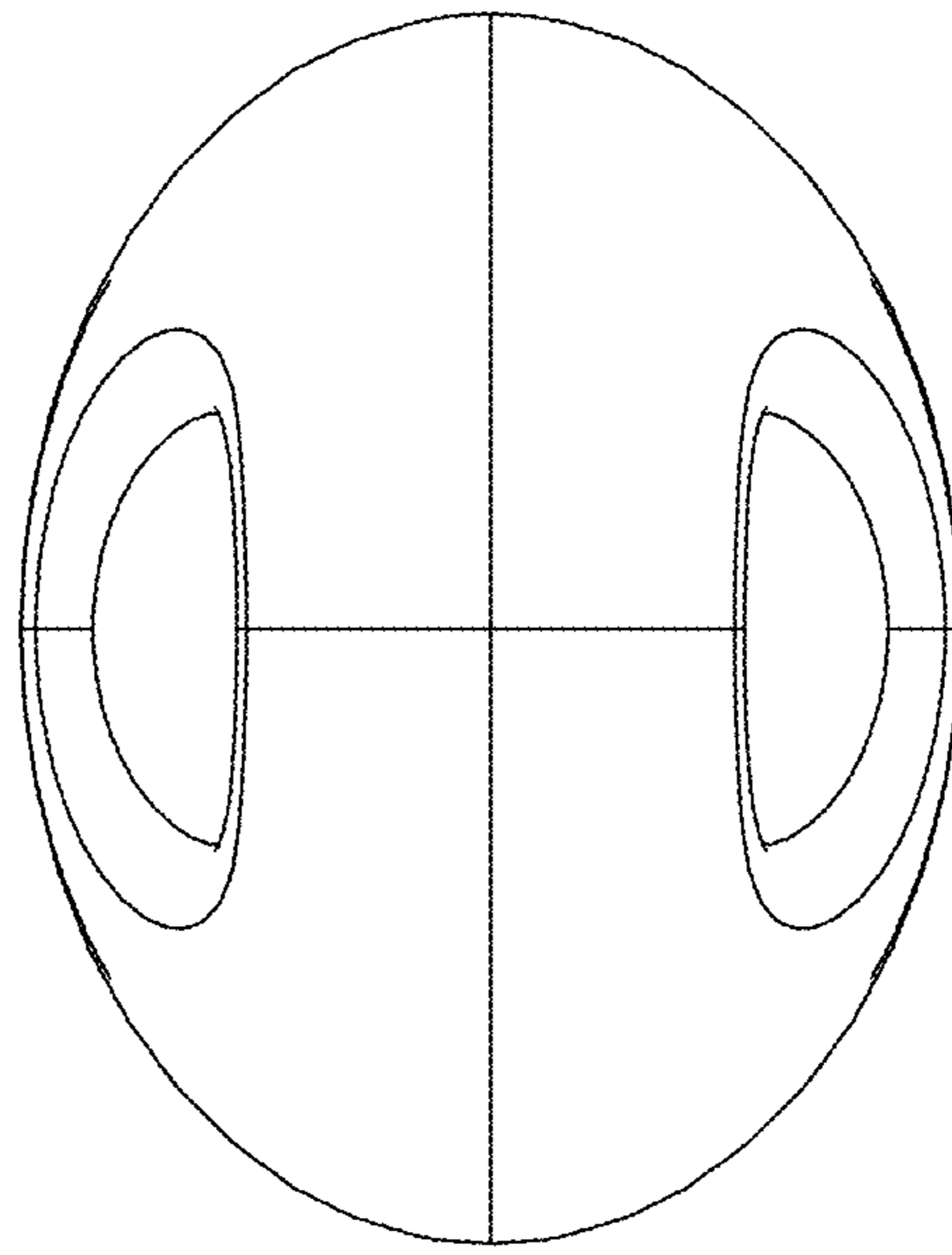


Fig. 6

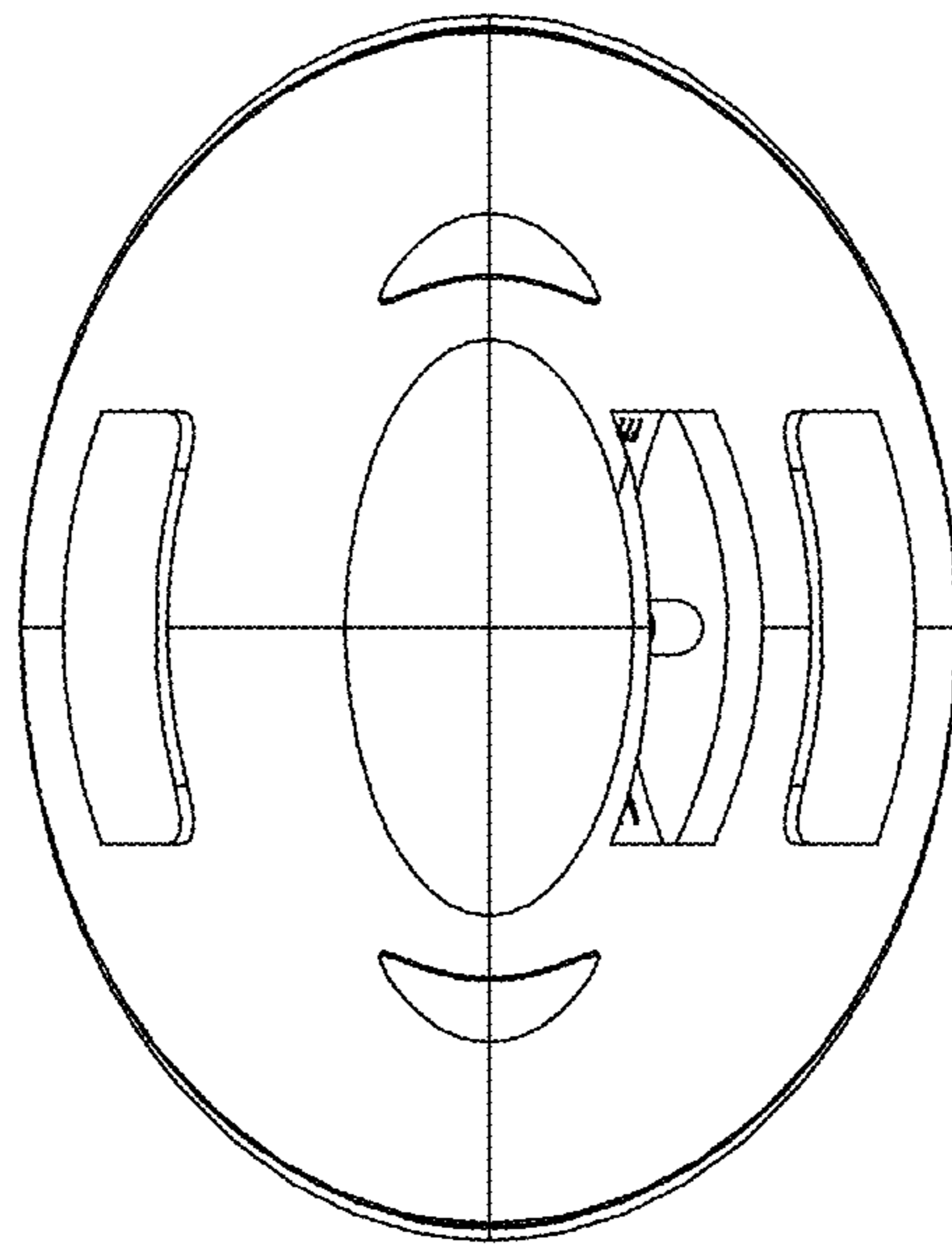


Fig. 7