



US00D726033S

(12) **United States Design Patent**
Roth et al.

(10) **Patent No.:** **US D726,033 S**

(45) **Date of Patent:** **** Apr. 7, 2015**

(54) **NON-CONTACT THERMOMETER**

(71) Applicant: **Brooklands, Inc.**, Boca Raton, FL (US)

(72) Inventors: **Jason Roth**, Boca Raton, FL (US);
Adrian Slattery, Westlake, OH (US)

(73) Assignee: **ARC Devices Ltd.** (IE)

(**) Term: **14 Years**

(21) Appl. No.: **29/472,196**

(22) Filed: **Nov. 8, 2013**

Related U.S. Application Data

(63) Continuation of application No. 29/435,124, filed on Oct. 19, 2012, now abandoned.

(51) **LOC (10) Cl.** **10-04**

(52) **U.S. Cl.**
USPC **D10/57**

(58) **Field of Classification Search**

CPC G01J 5/061; G01J 5/0843; G01J 5/0846;
G01J 5/0859; G01J 5/089; G01J 5/0896;
G01J 5/048; G01J 5/16; G01J 5/522; G01J
5/0205; G01J 5/0887; G01J 5/0003; G01J
5/0275; G01J 5/084; G01J 5/0834; G01J 5/12;
G01J 5/14

USPC D10/57; 374/1-209, E1.011-E1.017;
600/474, 549

See application file for complete search history.

(56) **References Cited**

U.S. PATENT DOCUMENTS

D570,714 S * 6/2008 Aulwes et al. D10/57
D614,978 S * 5/2010 Houlihan et al. D10/57
D616,772 S * 6/2010 Guo D10/57

D617,216 S * 6/2010 Guo D10/57
D617,217 S * 6/2010 Houlihan et al. D10/57
D620,819 S * 8/2010 Houlihan et al. D10/57
D637,921 S * 5/2011 Houlihan et al. D10/57
D689,381 S * 9/2013 Branck et al. D10/57

* cited by examiner

Primary Examiner — Antoine D Davis

(74) *Attorney, Agent, or Firm* — Michael G. Smith, Esq.

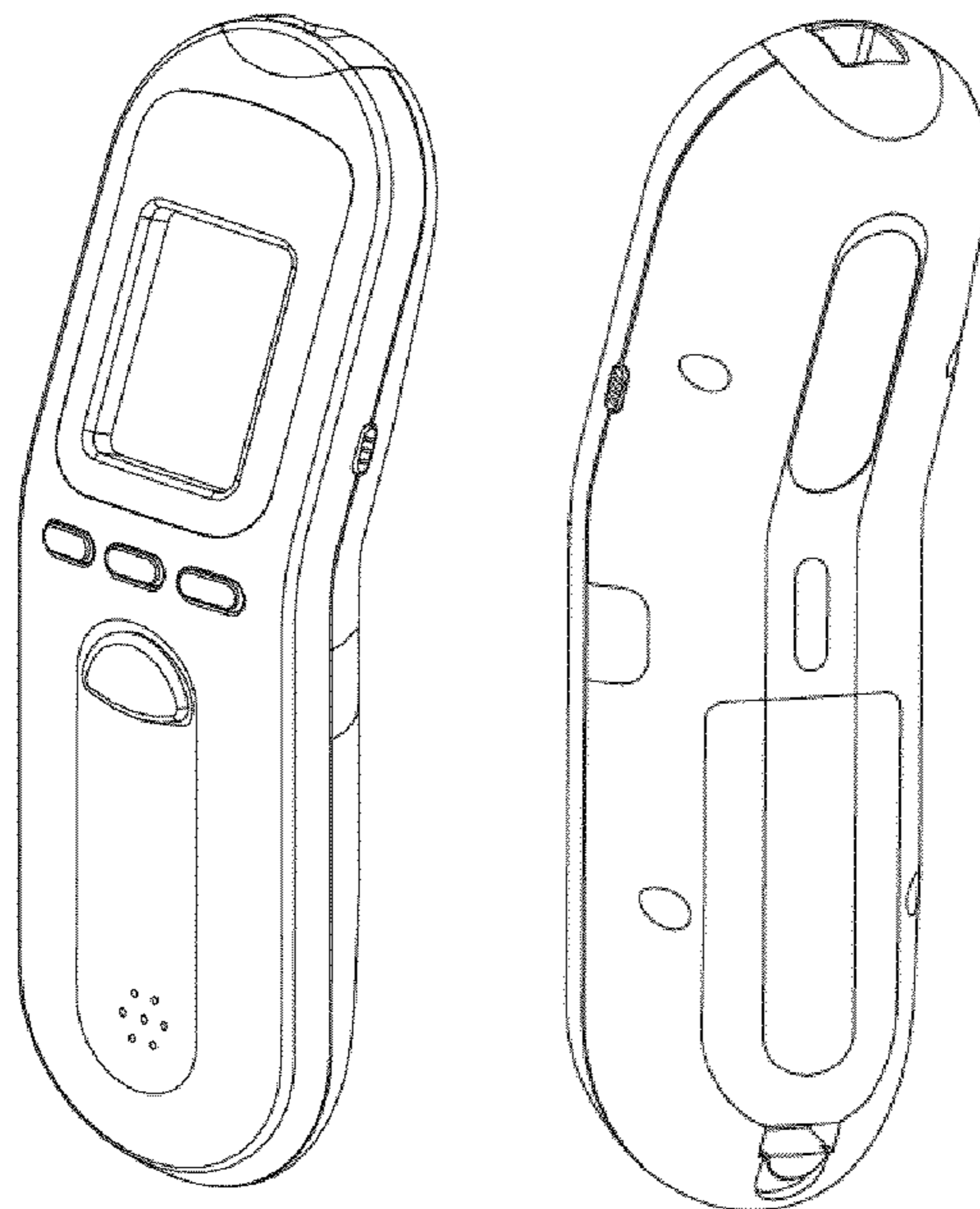
(57) **CLAIM**

The ornamental design for a non-contact thermometer thereof, as shown and described.

DESCRIPTION

FIG. 1 is an isometric front side-view diagram of a non-contact thermometer, according to an implementation; FIG. 2 is an isometric front side-view diagram of a non-contact thermometer, according to an implementation; FIG. 3 is an isometric front side-view diagram of a non-contact thermometer, according to an implementation; FIG. 4 is an isometric back side-view diagram of a non-contact thermometer, according to an implementation; FIG. 5 is an isometric end-view diagram of a non-contact thermometer, according to an implementation; FIG. 6 is an isometric front side-view diagram of a non-contact thermometer, according to an implementation; FIG. 7 is an isometric back side-view diagram of a non-contact thermometer, according to an implementation; FIG. 8 is an isometric front side-view diagram of a non-contact thermometer in a base charger, according to an implementation; and, FIG. 9 is an isometric front side-view diagram of a plurality of non-contact thermometers in base chargers in a chain, according to an implementation.

1 Claim, 9 Drawing Sheets



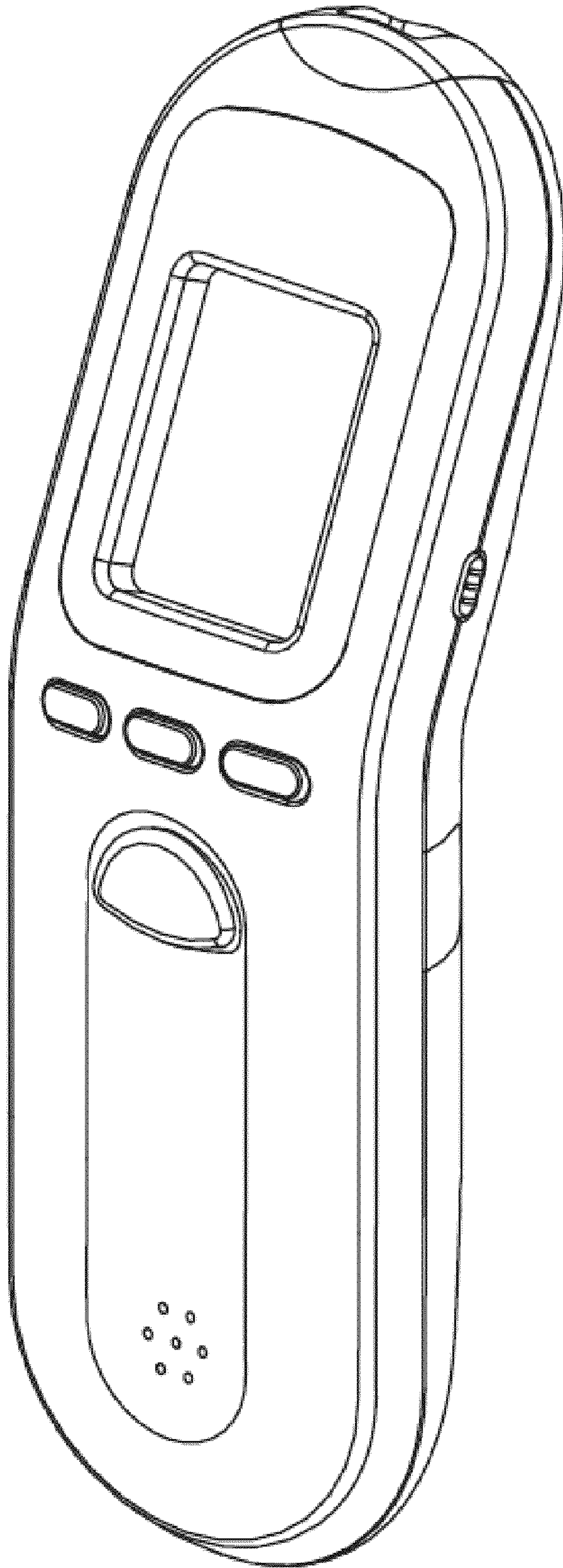


FIG. 1

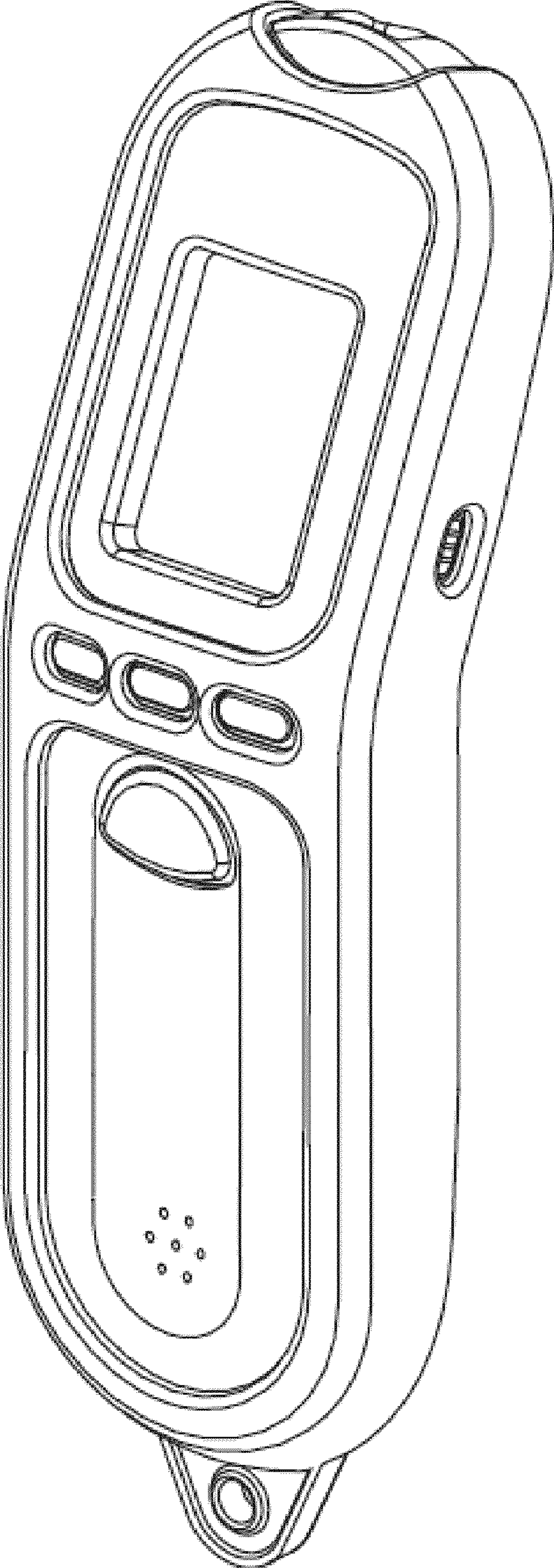


FIG. 2

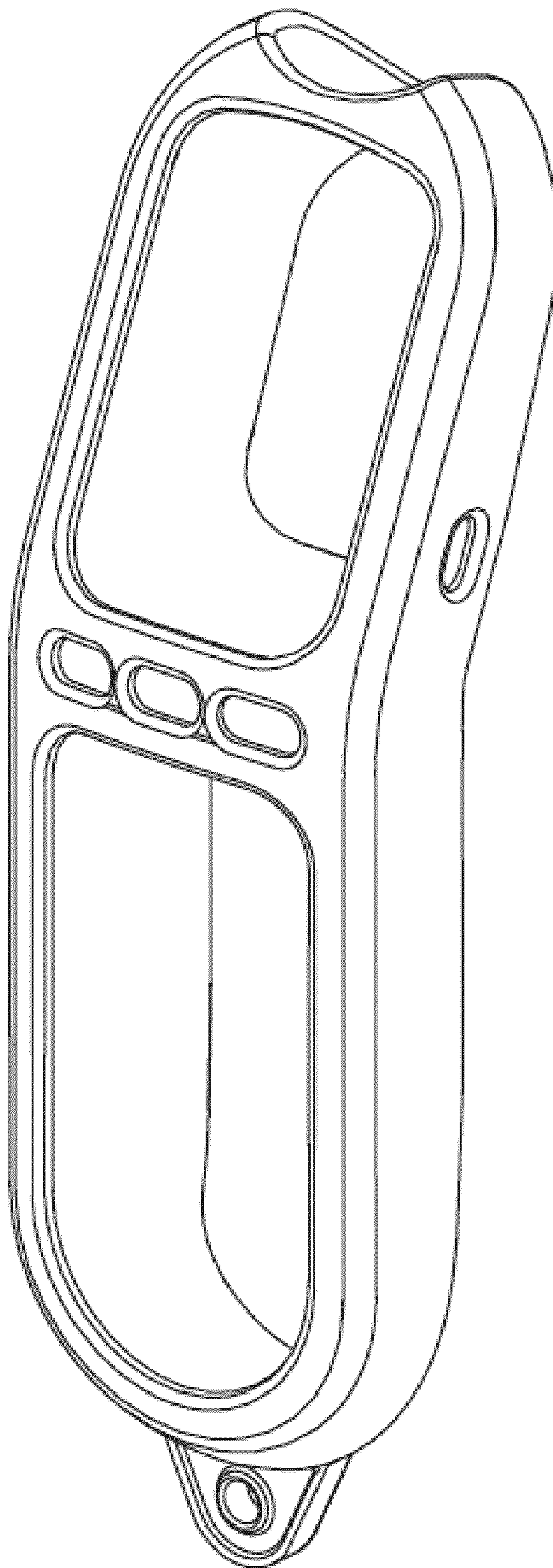


FIG. 3

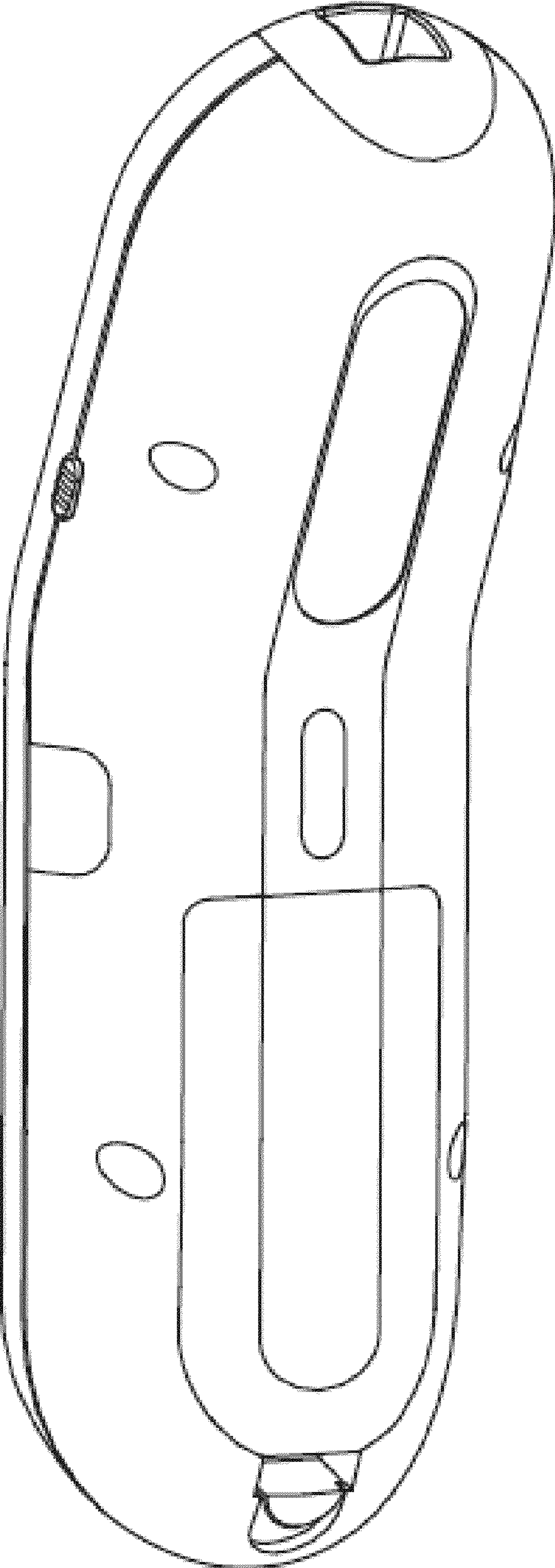


FIG. 4

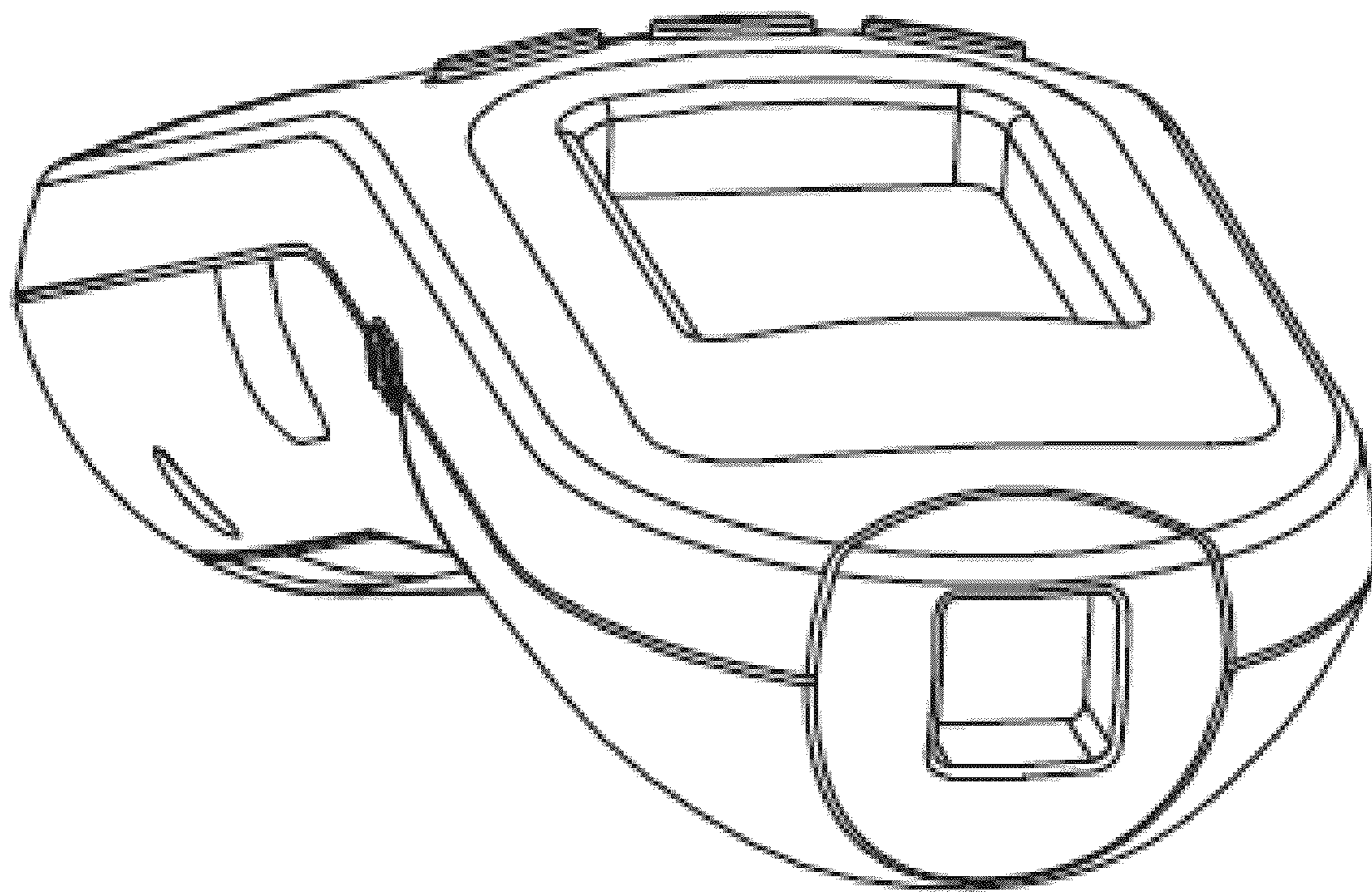


FIG. 5

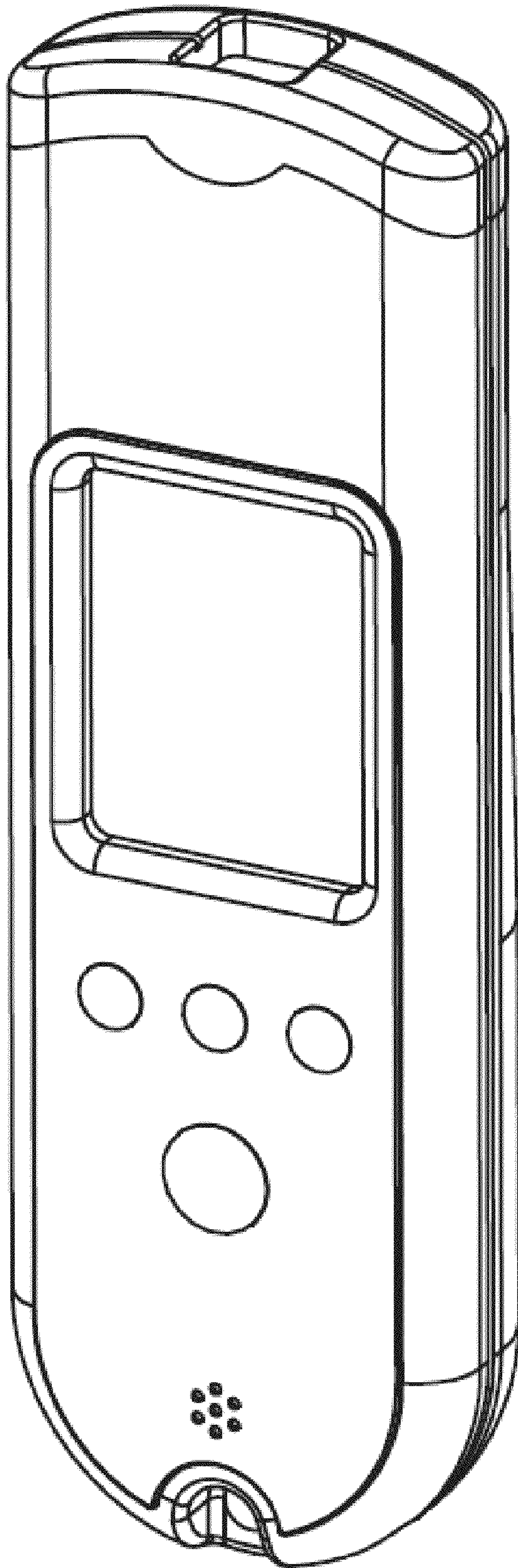


FIG. 6

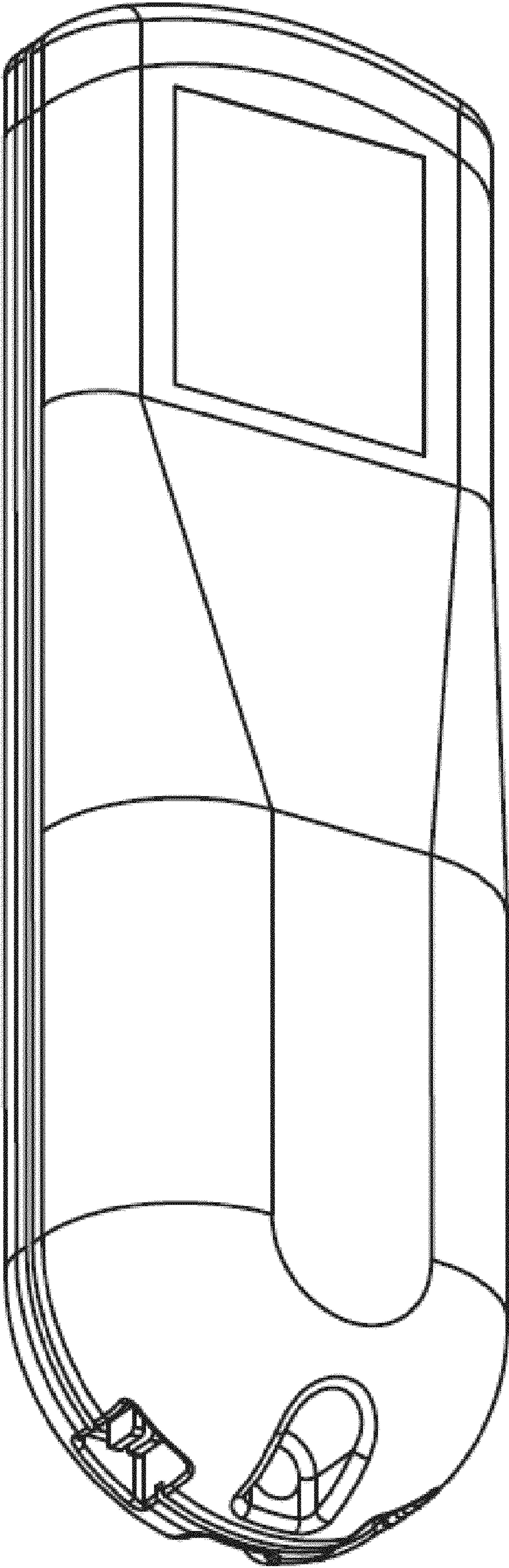


FIG. 7

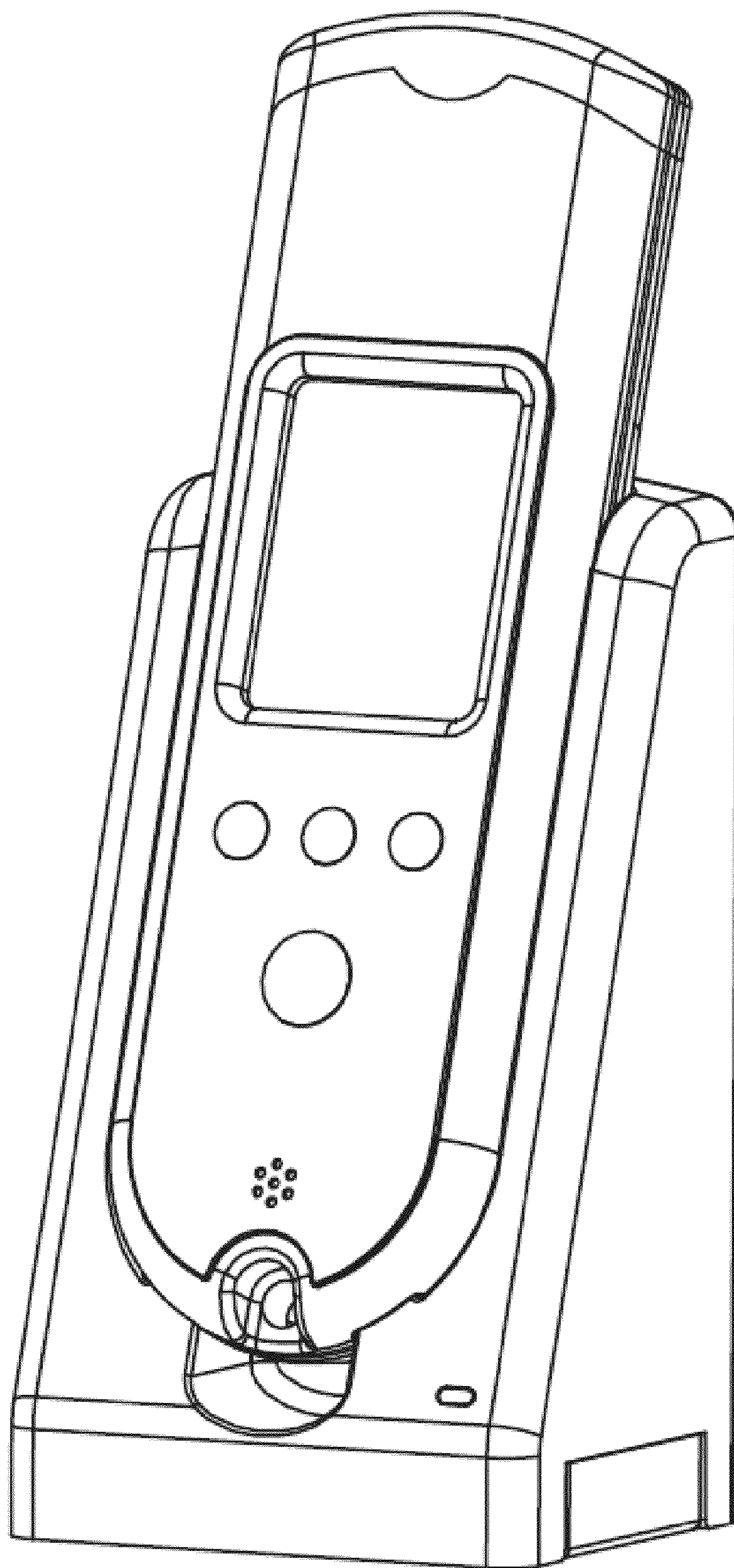


FIG. 8

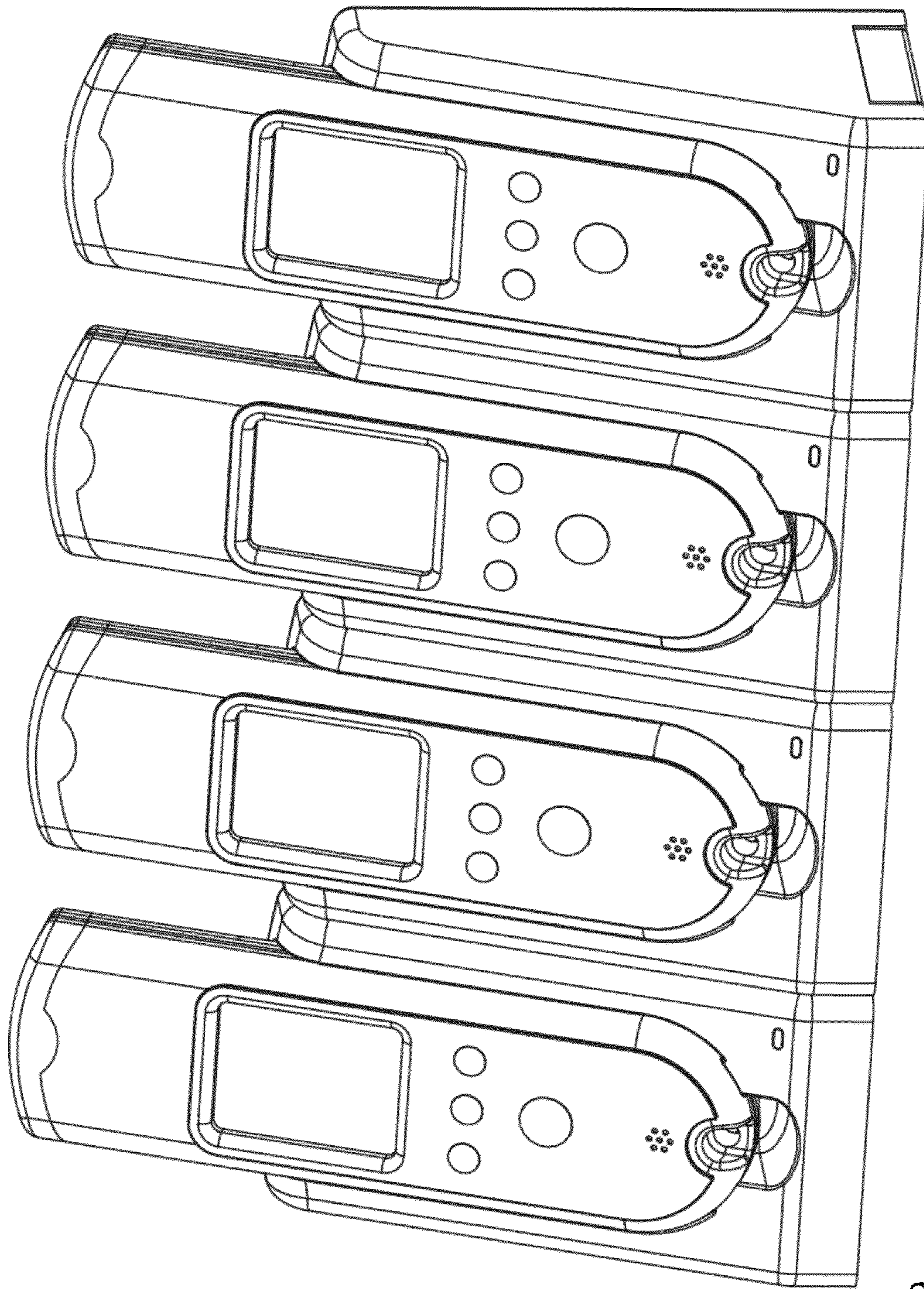


FIG. 9