



US00D726031S

(12) **United States Design Patent**
Bodum

(10) **Patent No.:** **US D726,031 S**

(45) **Date of Patent:** **** Apr. 7, 2015**

(54) **TIMER**

(71) Applicant: **Pi-Design AG**, Triengen (CH)

(72) Inventor: **Jorgen Bodum**, Meggen (CH)

(73) Assignee: **Pi-Design AG**, Triengen (CH)

(**) Term: **14 Years**

(21) Appl. No.: **29/491,342**

(22) Filed: **May 20, 2014**

(30) **Foreign Application Priority Data**

Dec. 19, 2013 (WO) DM/082 518

(51) **LOC (10) Cl.** **10-03**

(52) **U.S. Cl.**
USPC **D10/44**

(58) **Field of Classification Search**
CPC G04F 1/00; G04F 1/04; G04F 1/06;
G07C 1/30; A63F 2250/1063; A63F
2250/1068
USPC D10/40, 44; D11/157; D9/636;
D21/391, 480, 484, 486, 500; 368/13,
368/91, 92, 93, 94, 95; 968/805; 446/128
See application file for complete search history.

(56) **References Cited**

U.S. PATENT DOCUMENTS

1,261,915 A * 4/1918 Ferdon 368/95
D122,475 S * 9/1940 Weiss D10/44
D166,043 S * 2/1952 Miller D10/44

D172,094 S * 5/1954 Huntsman D10/44
2,941,350 A * 6/1960 Rogovin 368/13
3,597,875 A * 8/1971 Christiansen 446/128
3,707,842 A * 1/1973 Spivak 368/94
3,874,161 A * 4/1975 Asla 368/91
D282,056 S * 1/1986 Levine D11/157
4,648,721 A * 3/1987 Shapiro 368/93
D298,420 S * 11/1988 Lin D10/44
D300,725 S * 4/1989 Lin D10/44
D307,870 S * 5/1990 Irgang et al. D10/44
D321,669 S * 11/1991 Hoehne D10/44
5,093,815 A * 3/1992 Rudolph 368/93
D412,662 S * 8/1999 Giskeodegaard et al. D9/636
D505,163 S * 5/2005 Leech et al. D21/480

* cited by examiner

Primary Examiner — Martie K Holtje

(74) *Attorney, Agent, or Firm* — Abelman, Frayne & Schwab

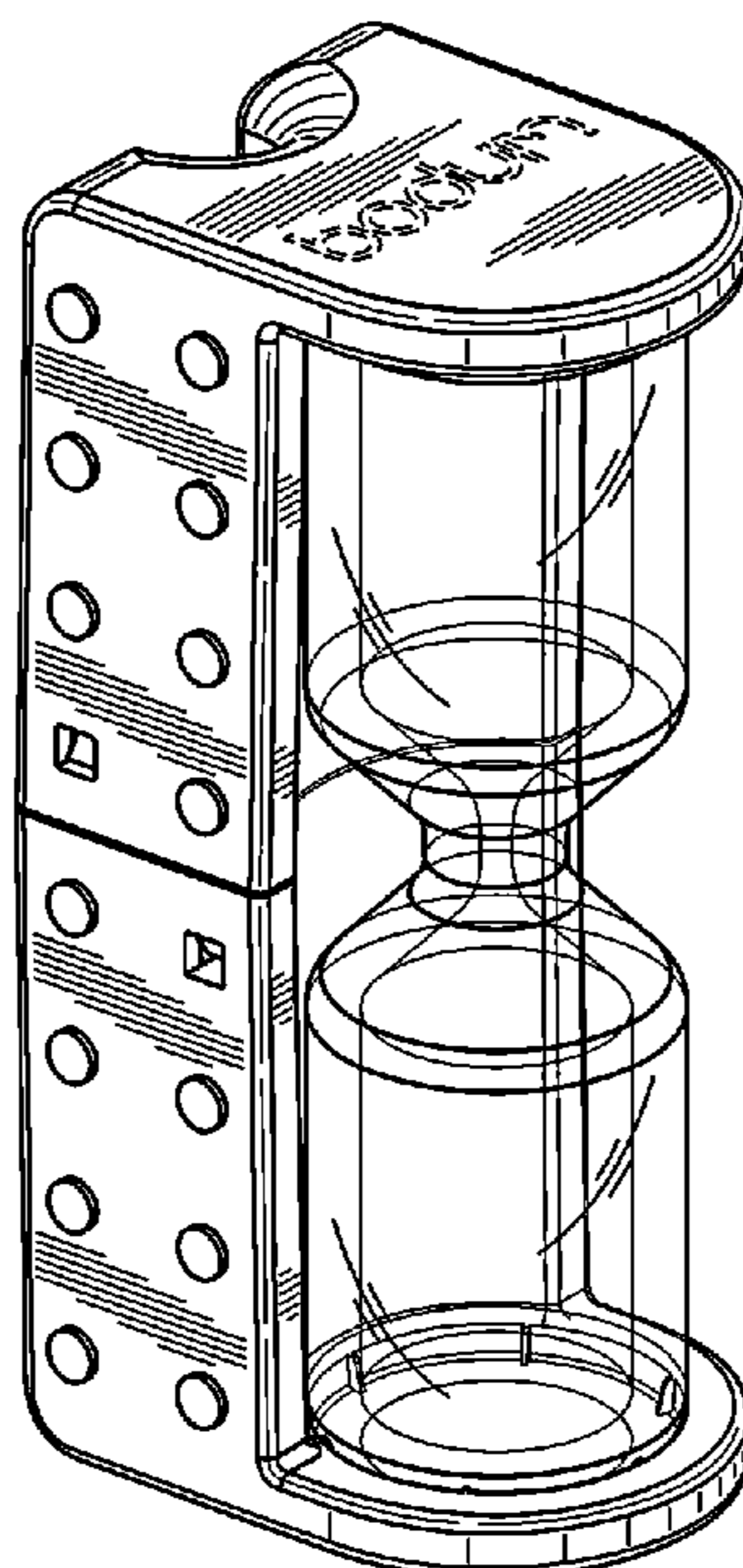
(57) **CLAIM**

The ornamental design for a timer, as shown and described.

DESCRIPTION

FIG. 1 is a top, front and left side perspective view of the timer showing my new design;
FIG. 2 is a left side elevational view thereof;
FIG. 3 is a right side elevational view thereof;
FIG. 4 is a front elevational view thereof;
FIG. 5 is a rear elevational view thereof;
FIG. 6 is a top plan view thereof; and,
FIG. 7 is a bottom plan view thereof.
The even dash broken lines represent portions of the timer which form no part of the claimed design.

1 Claim, 7 Drawing Sheets



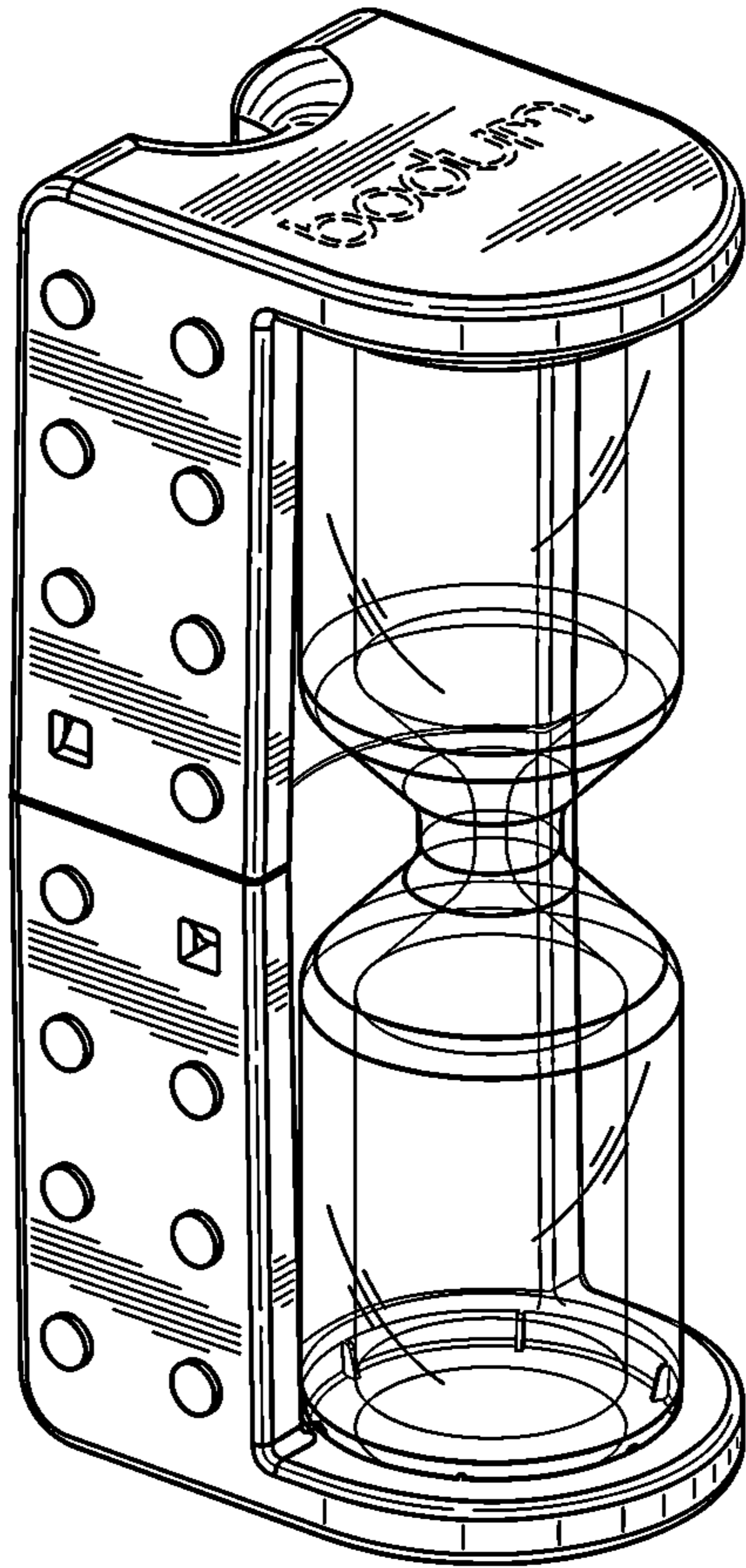


FIG. 1

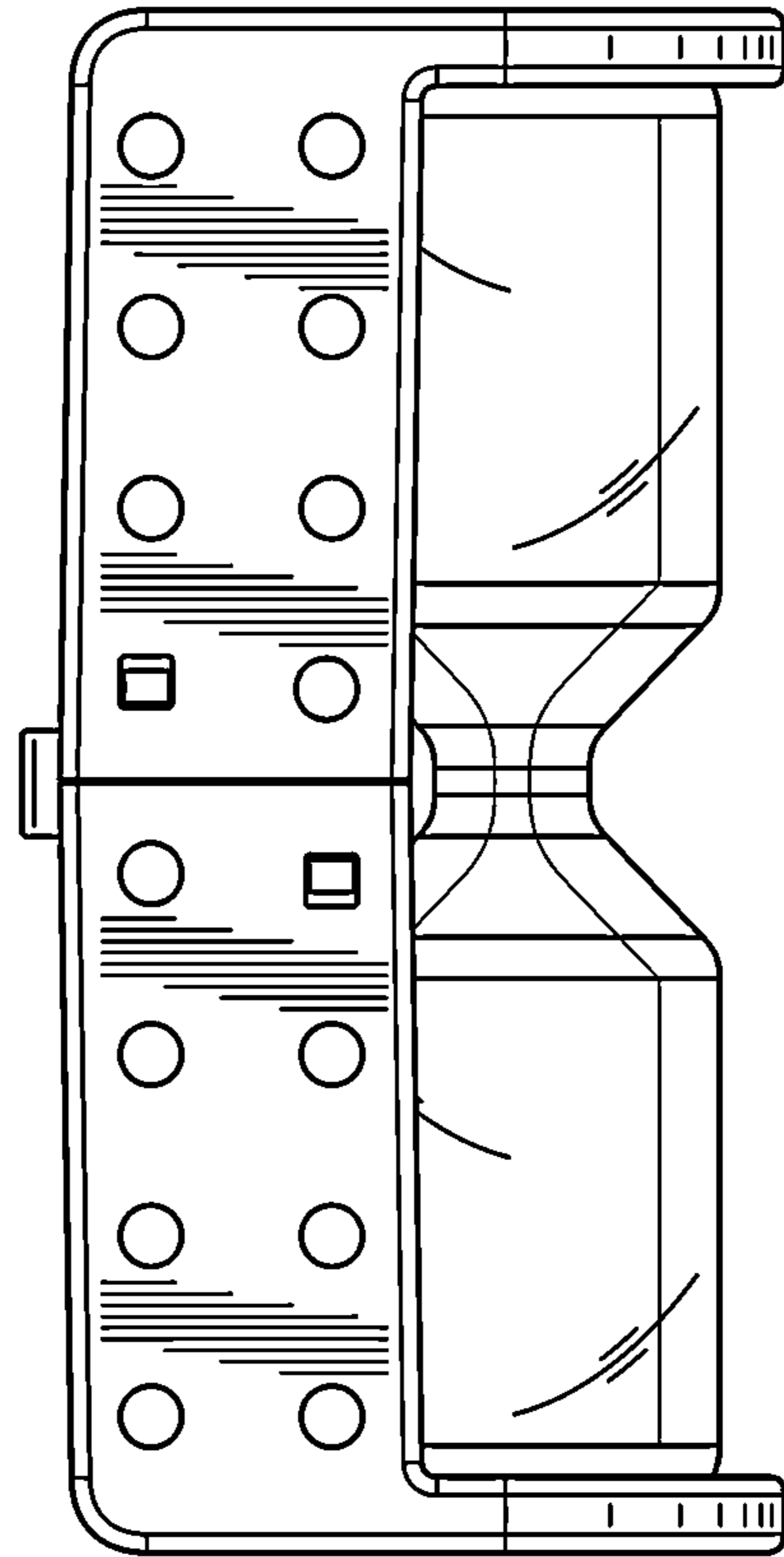


FIG. 2

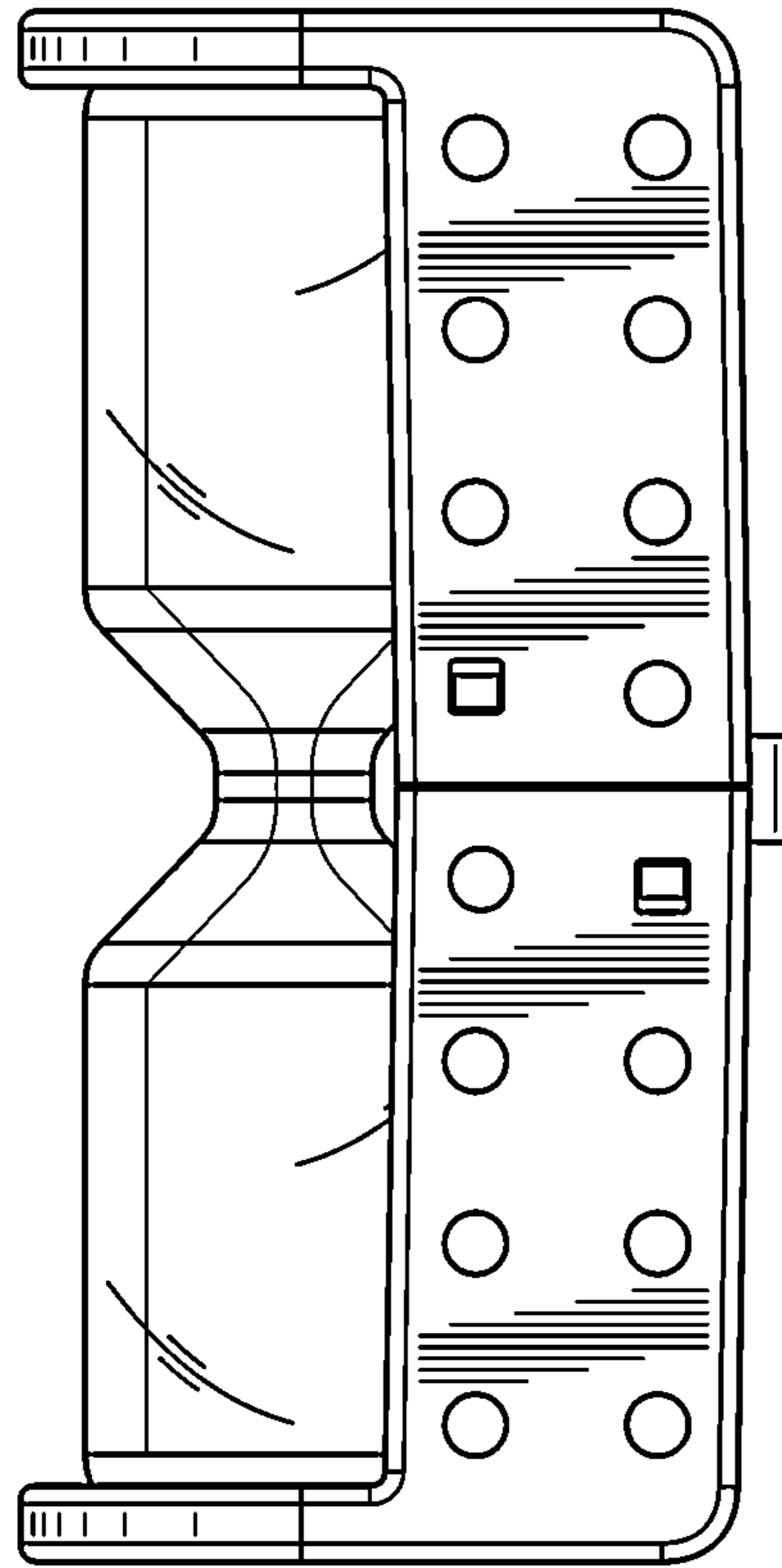


FIG. 3

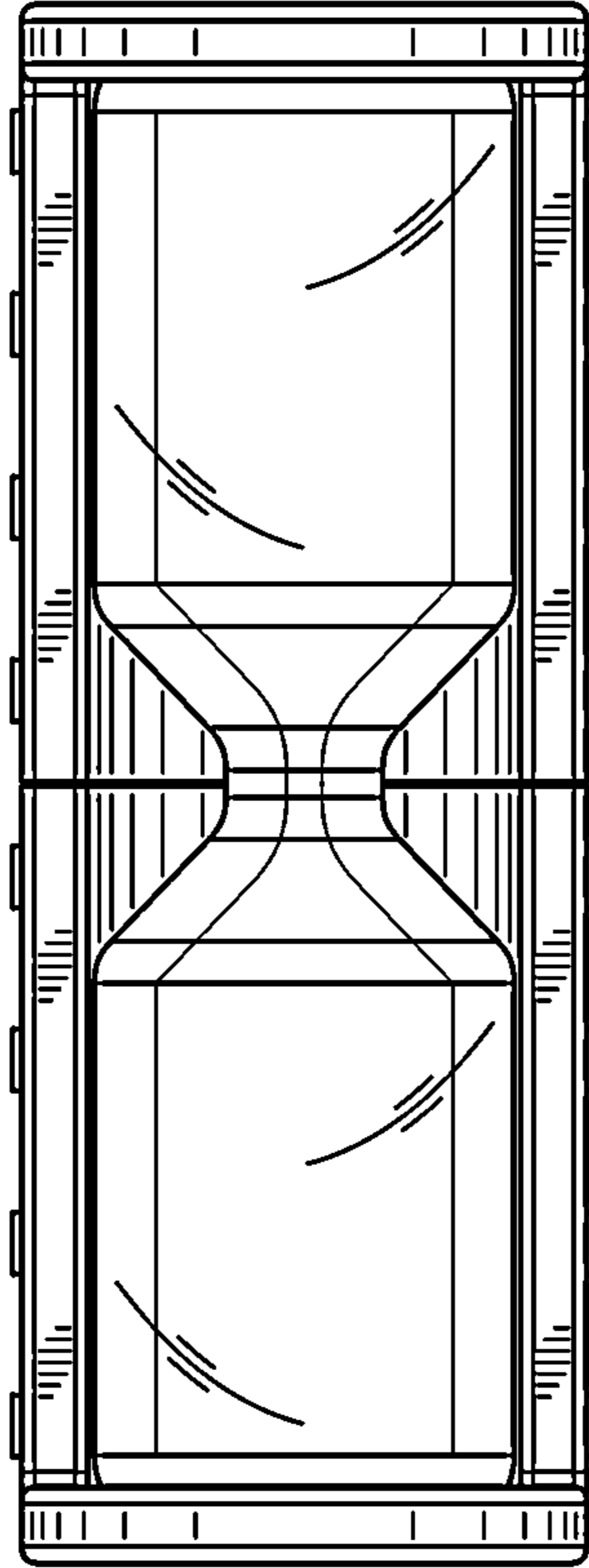


FIG. 4

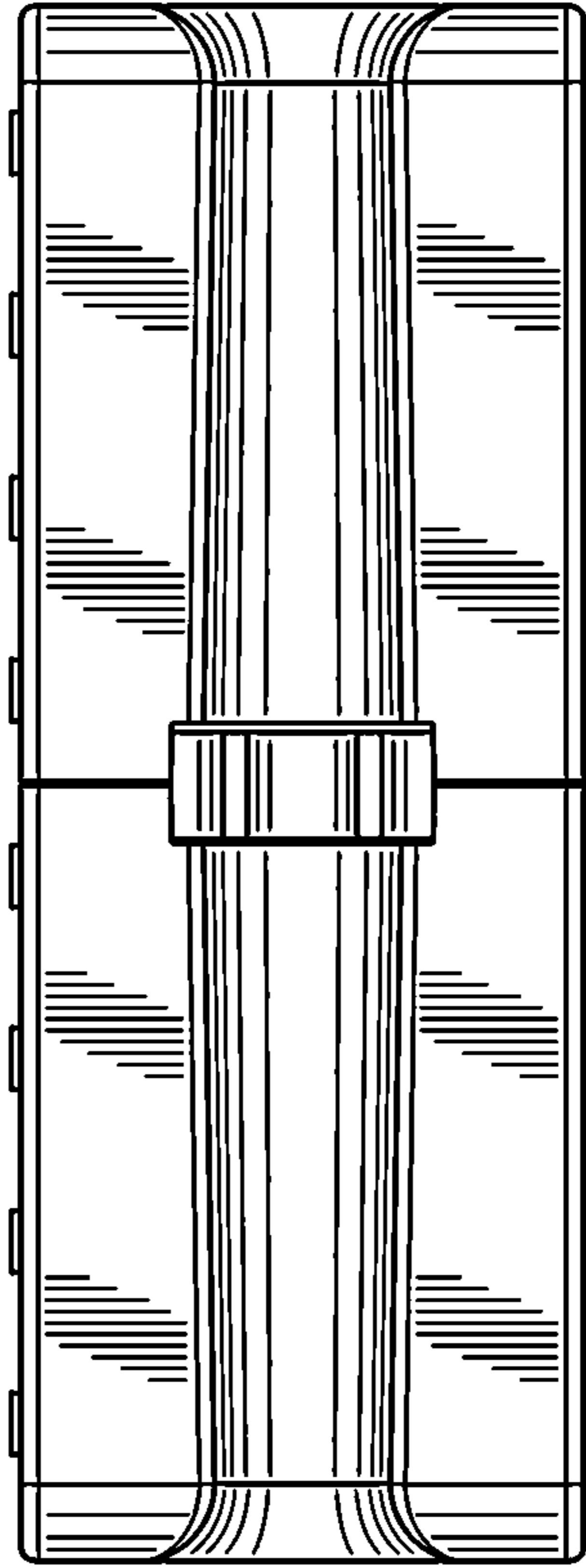


FIG. 5

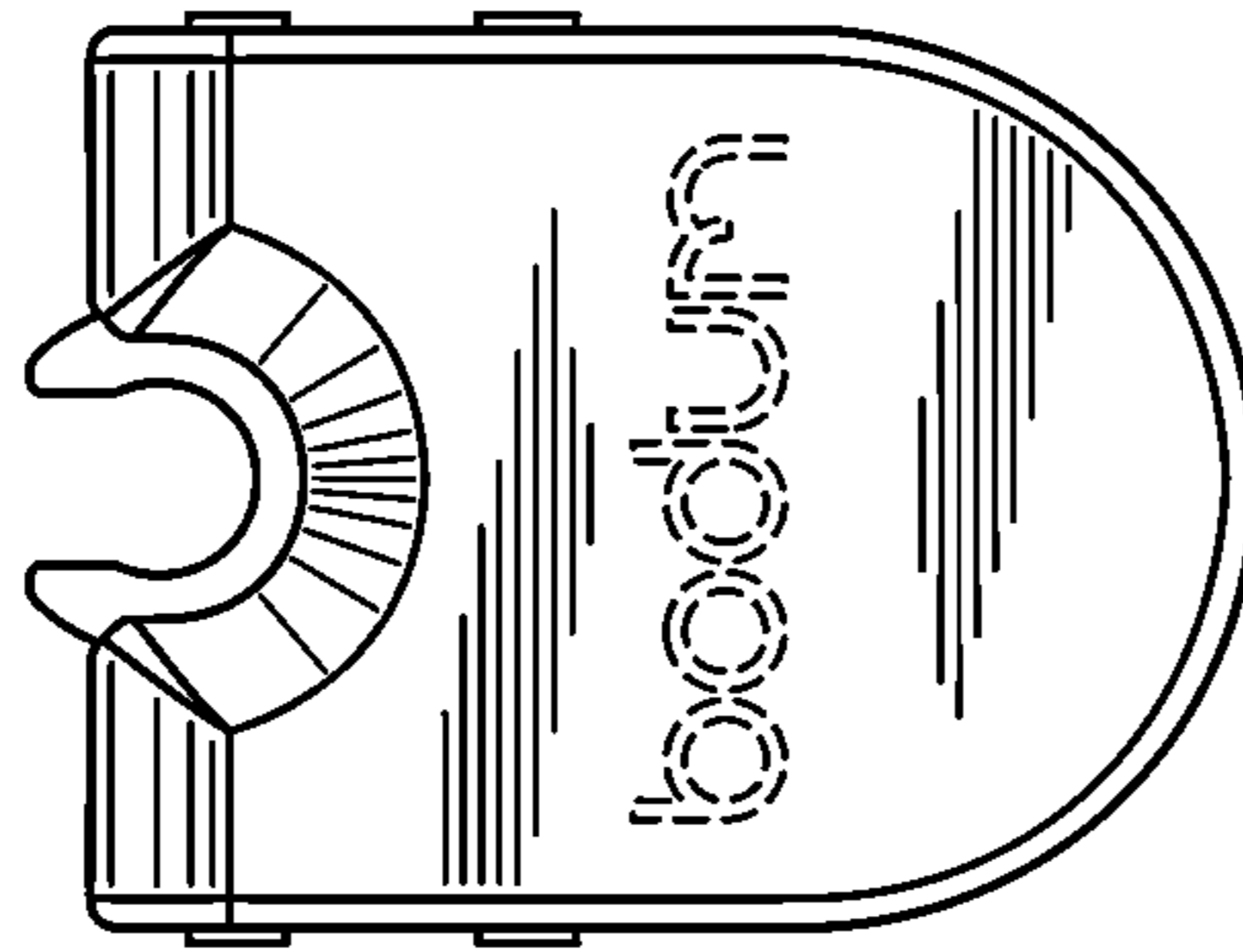


FIG. 6

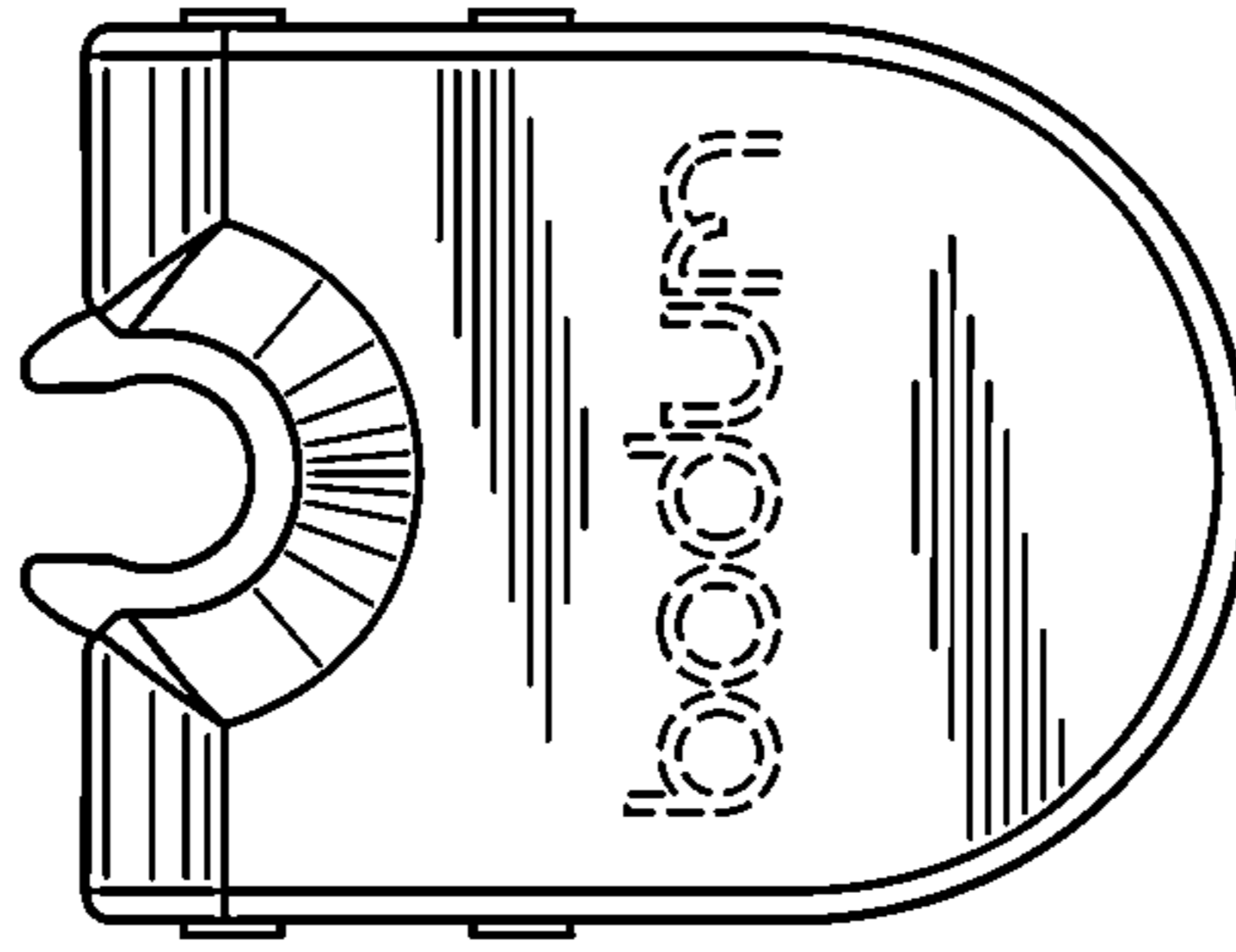


FIG. 7