



US00D726030S

(12) **United States Design Patent**  
**Wilbur**

(10) **Patent No.:** **US D726,030 S**

(45) **Date of Patent:** **\*\* Apr. 7, 2015**

(54) **WATCH**

(71) Applicant: **H. Best, Ltd.**, New York, NY (US)

(72) Inventor: **David Wilbur**, Los Angeles, CA (US)

(73) Assignee: **H. Best, Ltd.**, New York, NY (US)

(\*\*) Term: **14 Years**

(21) Appl. No.: **29/434,561**

(22) Filed: **Oct. 15, 2012**

(51) **LOC (10) Cl.** ..... **10-02**

(52) **U.S. Cl.**  
USPC ..... **D10/39; D10/126**

(58) **Field of Classification Search**  
CPC ..... G04B 19/00; G04B 19/04; G04B 19/042;  
G04B 19/06; G04B 19/10; G04B 37/00;  
G04B 37/06; G04B 37/10; G04B 45/02  
USPC ..... D10/30-39, 122-132, 1-29; 368/10,  
368/76, 80, 88, 223, 228, 276, 281, 285,  
368/286, 288, 306, 308, 319  
See application file for complete search history.

(56) **References Cited**

**U.S. PATENT DOCUMENTS**

D415,040 S \* 10/1999 Sang ..... D10/30  
6,200,019 B1 \* 3/2001 Latini ..... 368/289  
D462,919 S \* 9/2002 Strasser ..... D10/131  
7,001,064 B2 \* 2/2006 Finazzi ..... 368/319

D551,101 S \* 9/2007 Nataf ..... D10/38  
D564,909 S \* 3/2008 Kume ..... D10/38  
D565,431 S \* 4/2008 Hatt ..... D10/38  
D569,276 S \* 5/2008 Scheufele ..... D10/39  
7,494,270 B2 \* 2/2009 Hiranuma et al. .... 368/288  
D599,219 S \* 9/2009 Fontana ..... D10/39  
7,604,397 B2 \* 10/2009 Cohen ..... 368/288  
D637,092 S \* 5/2011 Mille ..... D10/32  
D646,589 S \* 10/2011 Mille ..... D10/39  
D648,229 S \* 11/2011 Moritz ..... D10/38

\* cited by examiner

*Primary Examiner* — Martie K Holtje

(74) *Attorney, Agent, or Firm* — Katten Muchin Rosenman LLP

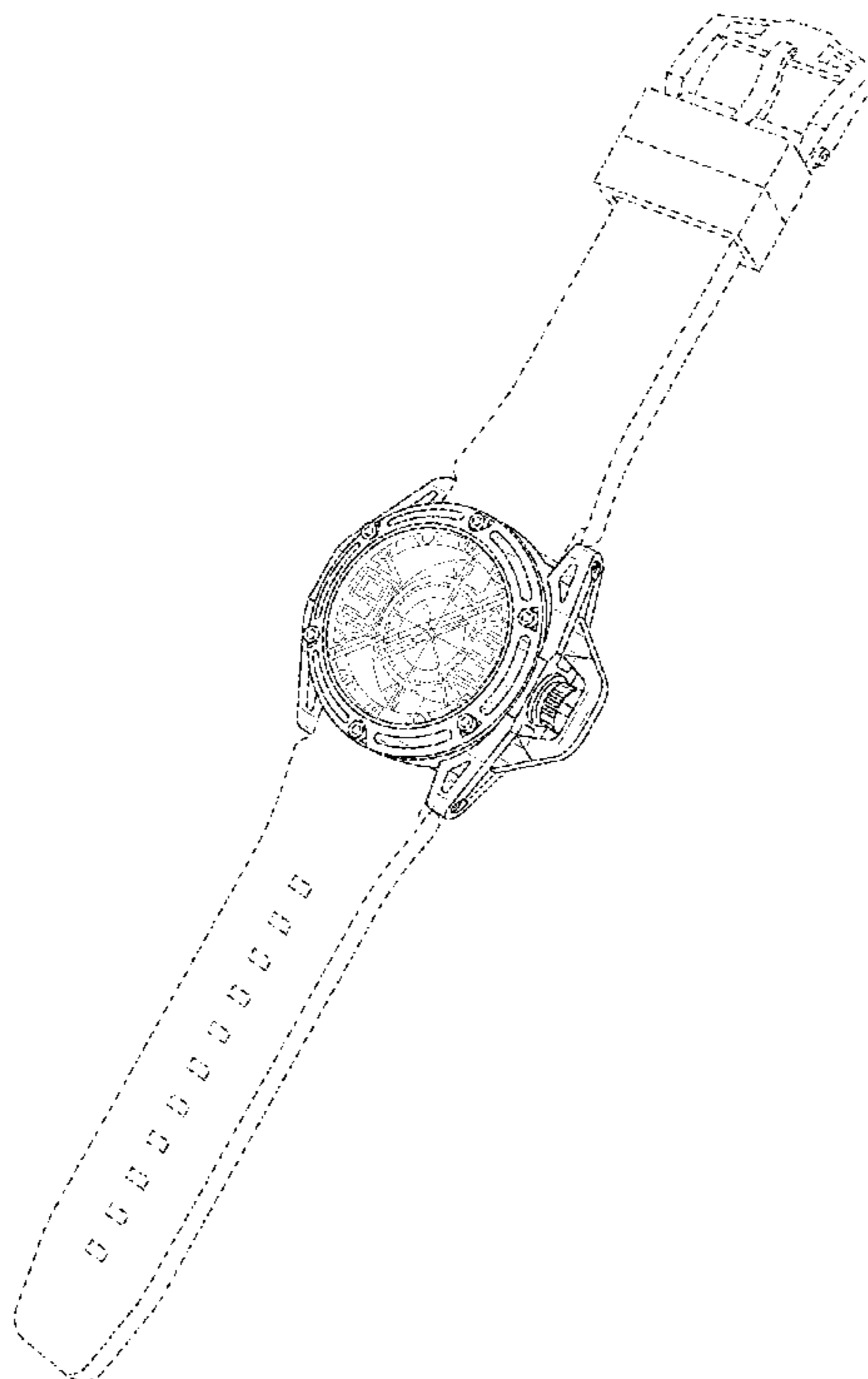
(57) **CLAIM**

The ornamental design for a watch, as shown and described.

**DESCRIPTION**

FIG. 1 is a perspective view of a watch showing my new design;  
FIG. 2 is a front view of the watch of FIG. 1;  
FIG. 3 is a rear view of the watch of FIG. 1;  
FIG. 4 is a left side view of the watch of FIG. 1;  
FIG. 5 is a right side view of the watch of FIG. 1;  
FIG. 6 is a top view of the watch of FIG. 1; and,  
FIG. 7 is a bottom view of the watch of FIG. 1.  
The broken lines in the figures are included for purposes of illustrating environment and form no part of the claimed design.

**1 Claim, 4 Drawing Sheets**



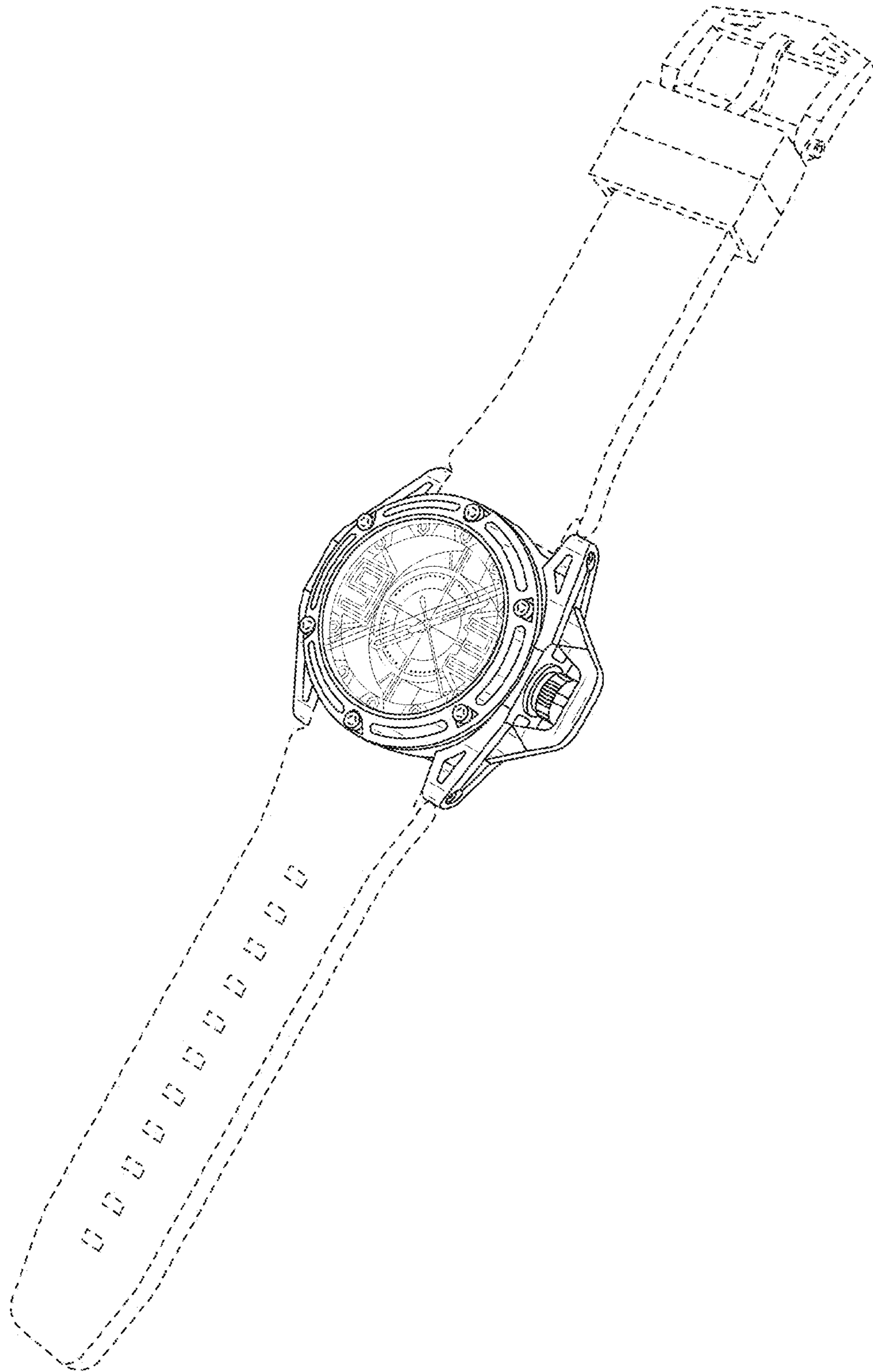


FIG. 1

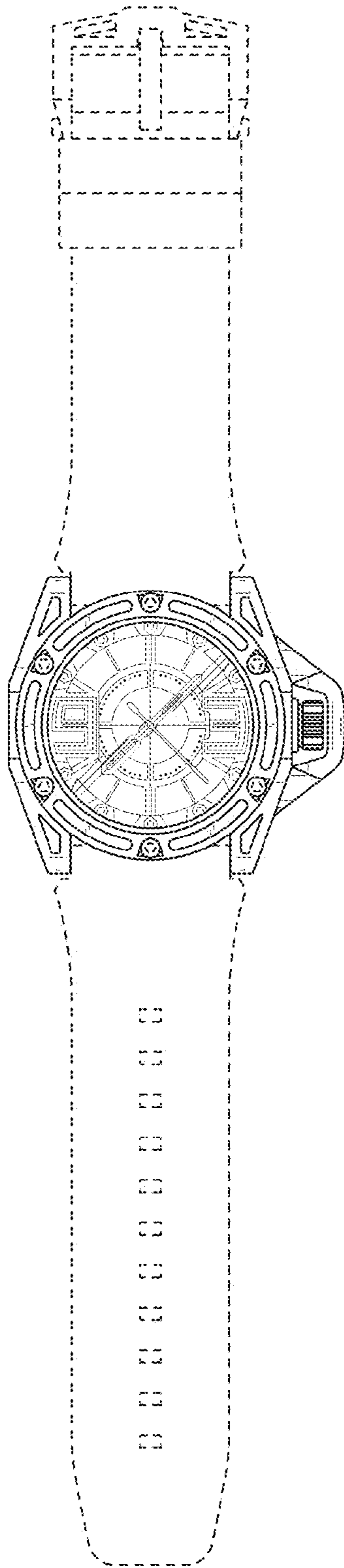


FIG. 2

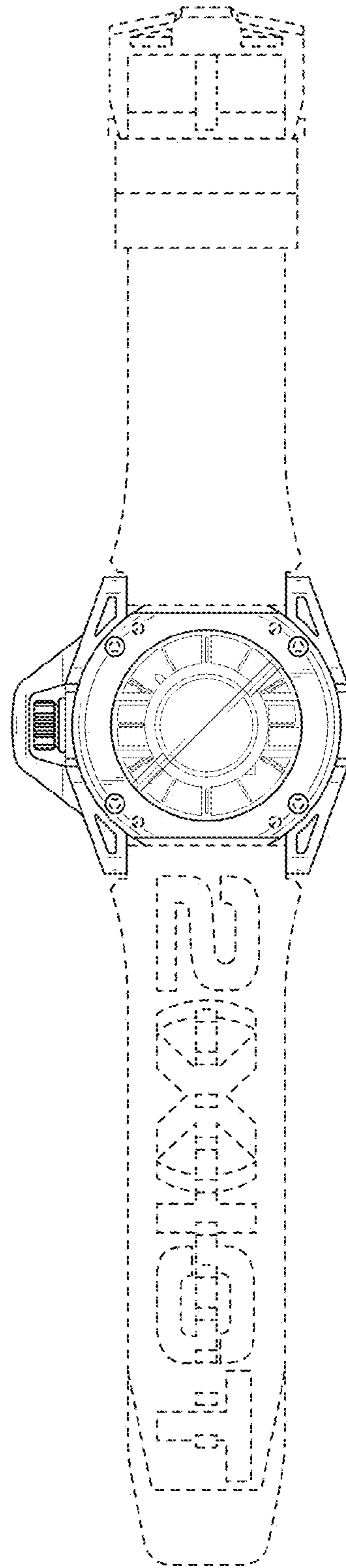


FIG. 3

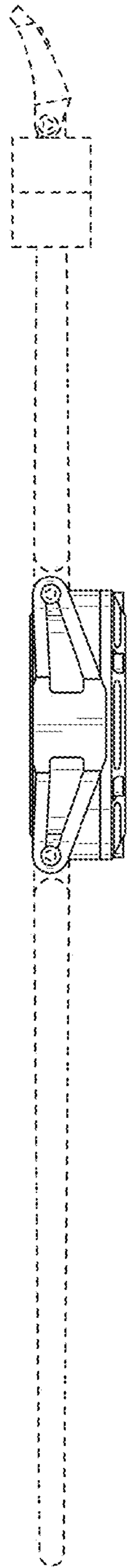


FIG. 4

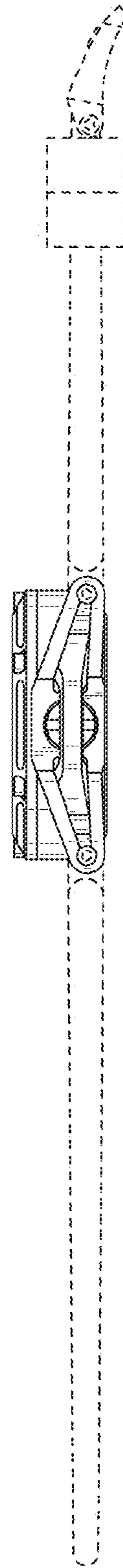


FIG. 5



FIG. 6

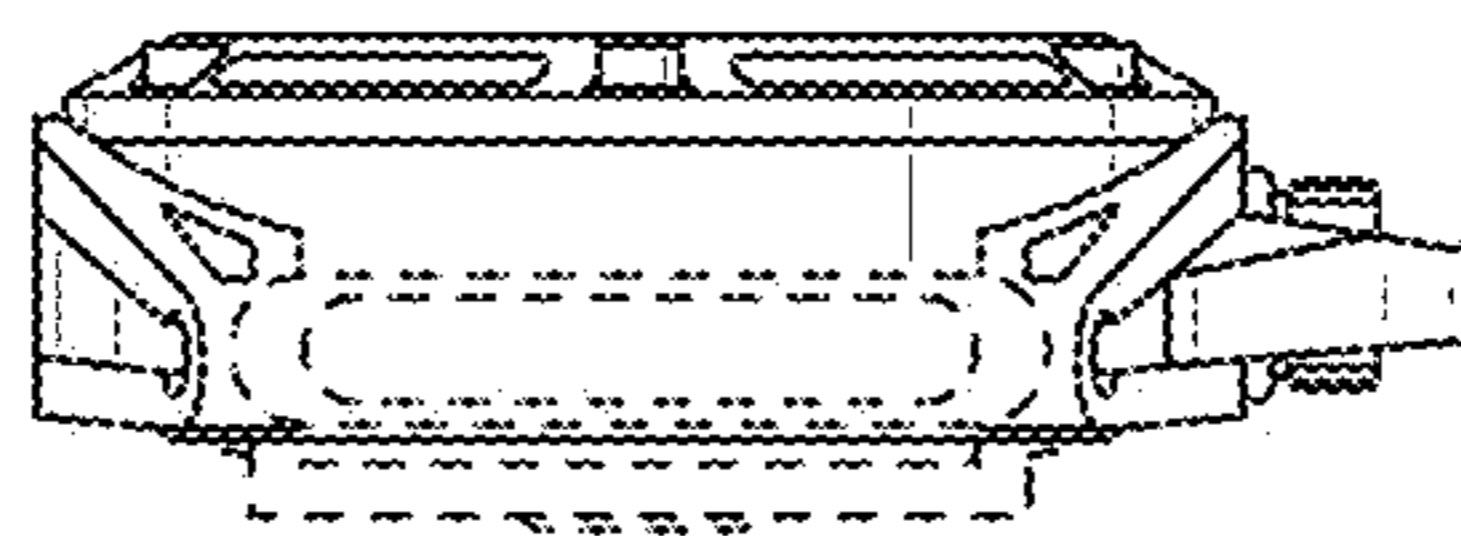


FIG. 7