



US00D726028S

(12) **United States Design Patent**
Thompson

(10) **Patent No.:** **US D726,028 S**
(45) **Date of Patent:** **** Apr. 7, 2015**

(54) **COSMETICS CASE**

(71) Applicant: **International Cosmetic Suppliers Ltd,**
Taipei (TW)

(72) Inventor: **David Thompson,** Taipei (TW)

(73) Assignee: **International Cosmetic Suppliers Ltd.,**
Taipei (TW)

(**) Term: **14 Years**

(21) Appl. No.: **29/469,242**

(22) Filed: **Oct. 8, 2013**

(51) **LOC (10) Cl.** **09-01**

(52) **U.S. Cl.**
USPC **D9/726; D28/7; D28/88**

(58) **Field of Classification Search**
USPC **D9/434, 435, 516, 723-729;**
215/381-385; 220/660, 669, 675;
D28/4, 7; D24/133; D19/161-163

See application file for complete search history.

(56) **References Cited**

U.S. PATENT DOCUMENTS

1,852,455	A	10/1930	Friedman	
2,171,112	A	8/1939	Hoffman	
D158,174	S *	4/1950	Busiel	D28/76
D206,915	S *	2/1967	Amburgey	D9/449
D291,536	S *	8/1987	Crawford et al.	D9/440
5,025,817	A *	6/1991	Wen	132/296
5,044,496	A	9/1991	Tanaka et al.	
D324,106	S *	2/1992	Greenblatt	D24/200
5,137,185	A	8/1992	Mitchell	
5,503,825	A	4/1996	Lane	
D378,539	S *	3/1997	Scott	D24/211
5,792,496	A	8/1998	Fekete et al.	
D398,533	S *	9/1998	Kotyuk et al.	D9/539
D403,076	S *	12/1998	York	D24/214
5,908,037	A	6/1999	Pierson	
5,937,866	A *	8/1999	Magharehi	132/116
6,047,710	A	4/2000	Irving et al.	
6,102,209	A	8/2000	D'Andrea	

(Continued)

FOREIGN PATENT DOCUMENTS

CA 2073730 1/1993
CA 2041057 5/1995

(Continued)

OTHER PUBLICATIONS

English abstract for DE9114136; published on Mar. 18, 1993 and retrieved on Jan. 16, 2014.

(Continued)

Primary Examiner — Keli L Hill

(74) *Attorney, Agent, or Firm* — Novak Druce Connolly Bove + Quigg LLP

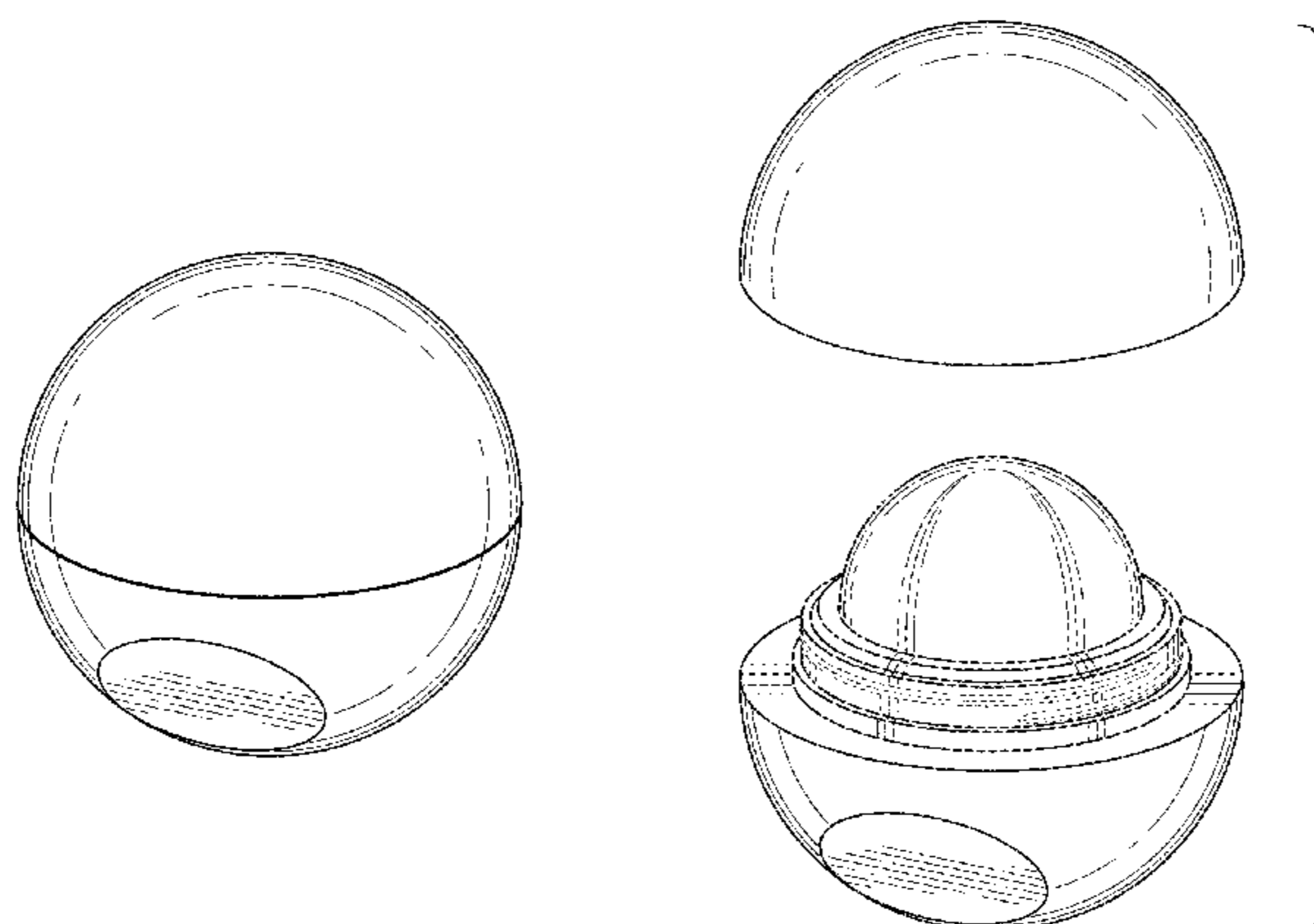
(57) **CLAIM**

I claim the ornamental design for a cosmetics case, as shown and described.

DESCRIPTION

FIG. 1 is a perspective view of a cosmetics case, embodying our new design;
FIG. 2 is a right side elevational view thereof;
FIG. 3 is a left side elevational view thereof;
FIG. 4 is rear elevational view thereof;
FIG. 5 is a front elevational view thereof;
FIG. 6 is a top plan view thereof;
FIG. 7 is a bottom plan view thereof;
FIG. 8 is a partially exploded perspective view thereof;
FIG. 9 is a right side partially exploded view thereof, (the left side partially exploded view being a mirror image of FIG. 9); and,
FIG. 10 is a top plan view thereof.
The broken lines shown are included for the purpose of illustrating portions of the cosmetics case that form no part of the claim.

1 Claim, 7 Drawing Sheets



(56)

References Cited

U.S. PATENT DOCUMENTS

6,354,308 B1 3/2002 Kuk
D465,733 S * 11/2002 Hill D9/519
D471,667 S * 3/2003 Angeletta D28/7
D475,617 S * 6/2003 Angeletta D28/7
D481,636 S 11/2003 Camacho
6,840,694 B2 1/2005 Gueret
D502,264 S * 2/2005 Timmer D24/211
6,945,403 B2 9/2005 Lombardi
D529,397 S 10/2006 Lavigne et al.
D535,752 S * 1/2007 Smith D24/214
D540,170 S 4/2007 Canamasas
7,234,885 B2 6/2007 Gueret
D554,529 S * 11/2007 Green et al. D9/726
D555,505 S 11/2007 Brandt
D561,032 S * 2/2008 Fuchs D9/529
D562,699 S * 2/2008 Green et al. D9/726
D564,900 S 3/2008 Green et al.
D569,005 S * 5/2008 York D24/214
D582,063 S 12/2008 Spangler et al.
D582,580 S 12/2008 Spangler et al.
7,631,781 B2 12/2009 Chen
D619,896 S 7/2010 Iwazu et al.
D625,469 S * 10/2010 Dubitsky et al. D28/84
D631,204 S 1/2011 Dubitsky et al.
D644,939 S * 9/2011 Teller D9/726
8,286,821 B2 10/2012 Mejia
D681,278 S * 4/2013 Schlatter D28/89
8,444,337 B2 5/2013 Teller
D690,055 S 9/2013 Chen
8,651,308 B1 * 2/2014 Sung 220/4.25
D708,791 S * 7/2014 Schlatter D28/89
D709,652 S * 7/2014 Teller D28/85
2001/0027958 A1 10/2001 Short et al.
2003/0201201 A1 10/2003 Cheng
2006/0000742 A1 1/2006 Consulich
2006/0063621 A1 3/2006 Bell et al.
2006/0254945 A1 11/2006 Green et al.
2007/0017542 A1 1/2007 Petit

2007/0108092 A1 5/2007 Minuto et al.
2009/0016799 A1 1/2009 Bellas
2009/0101654 A1 4/2009 Brashear
2011/0011418 A1 1/2011 Gatesoupe et al.
2011/0024316 A1 2/2011 Ginsburg
2011/0253731 A1 10/2011 Smith
2012/0308694 A1 12/2012 Price et al.
2013/0105476 A1 5/2013 Hammer et al.
2013/0168269 A1 7/2013 Eddy
2013/0308993 A1 11/2013 Teller
2013/0322950 A1 12/2013 Teller

FOREIGN PATENT DOCUMENTS

DE	9114136	3/1993
DE	202012104020	10/2012
EP	0523943	1/1993
EP	1068817	1/2001
EP	1136015	9/2001
EP	1415568	5/2004
FR	2726442	5/1996
FR	2726443	5/1996
FR	2766339	1/1999
FR	2873549	2/2006
WO	0126501	4/2001
WO	2007072123	6/2007

OTHER PUBLICATIONS

English abstract for DE2020121404020; published Oct. 30, 2012 and retrieved on Jan. 16, 2014.
English abstract for FR2726442; published May 10, 1996 and retrieved on Jan. 16, 2014.
English abstract for FR2726443; published May 10, 1996 and retrieved on Jan. 16, 2014.
English abstract for FR2766339; published on Jan. 29, 1999 and retrieved on Jan. 16, 2014.
English abstract for FR2873549; published on Feb. 3, 2006 and retrieved on Jan. 16, 2014.

* cited by examiner

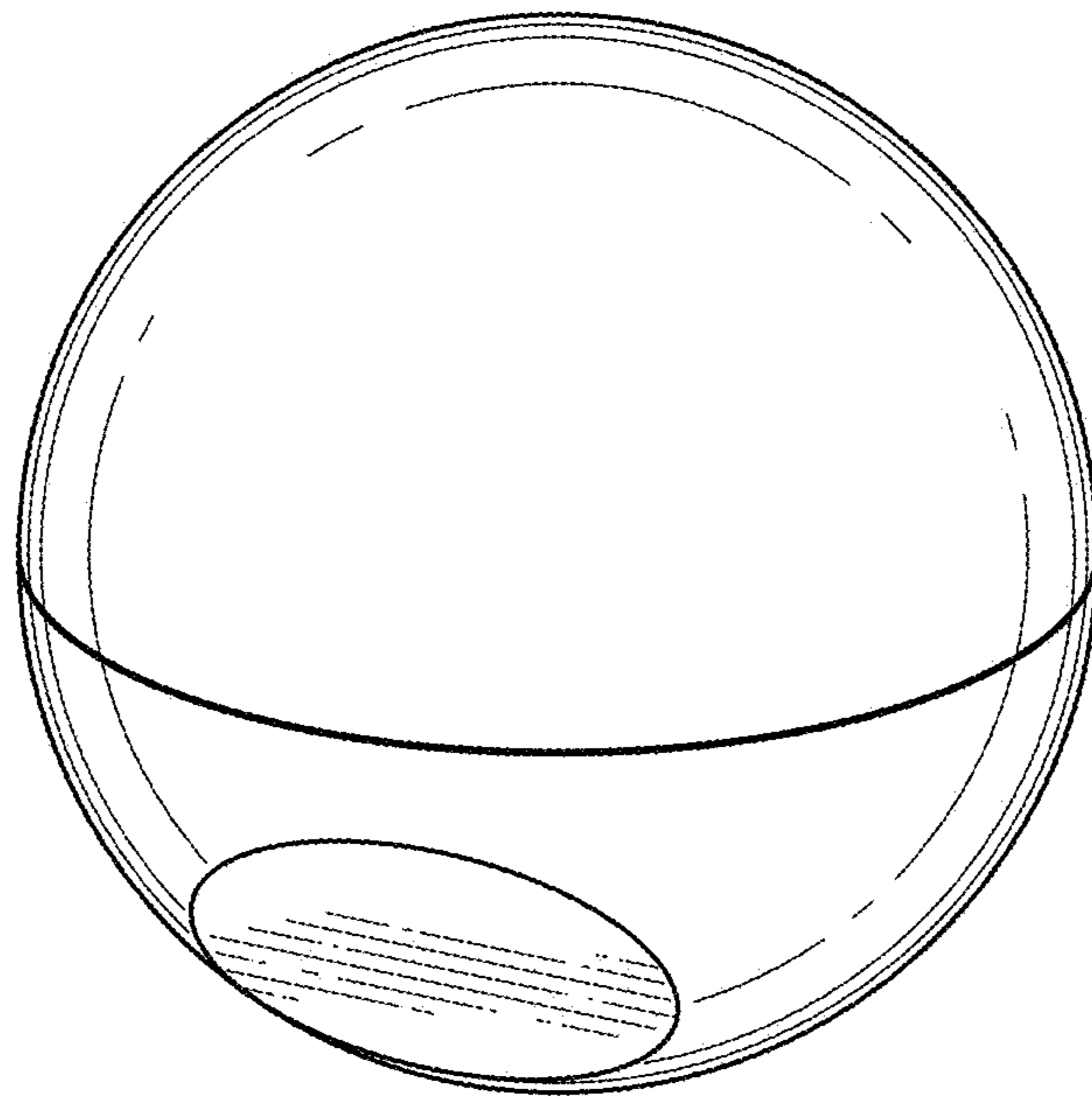


FIG. 1

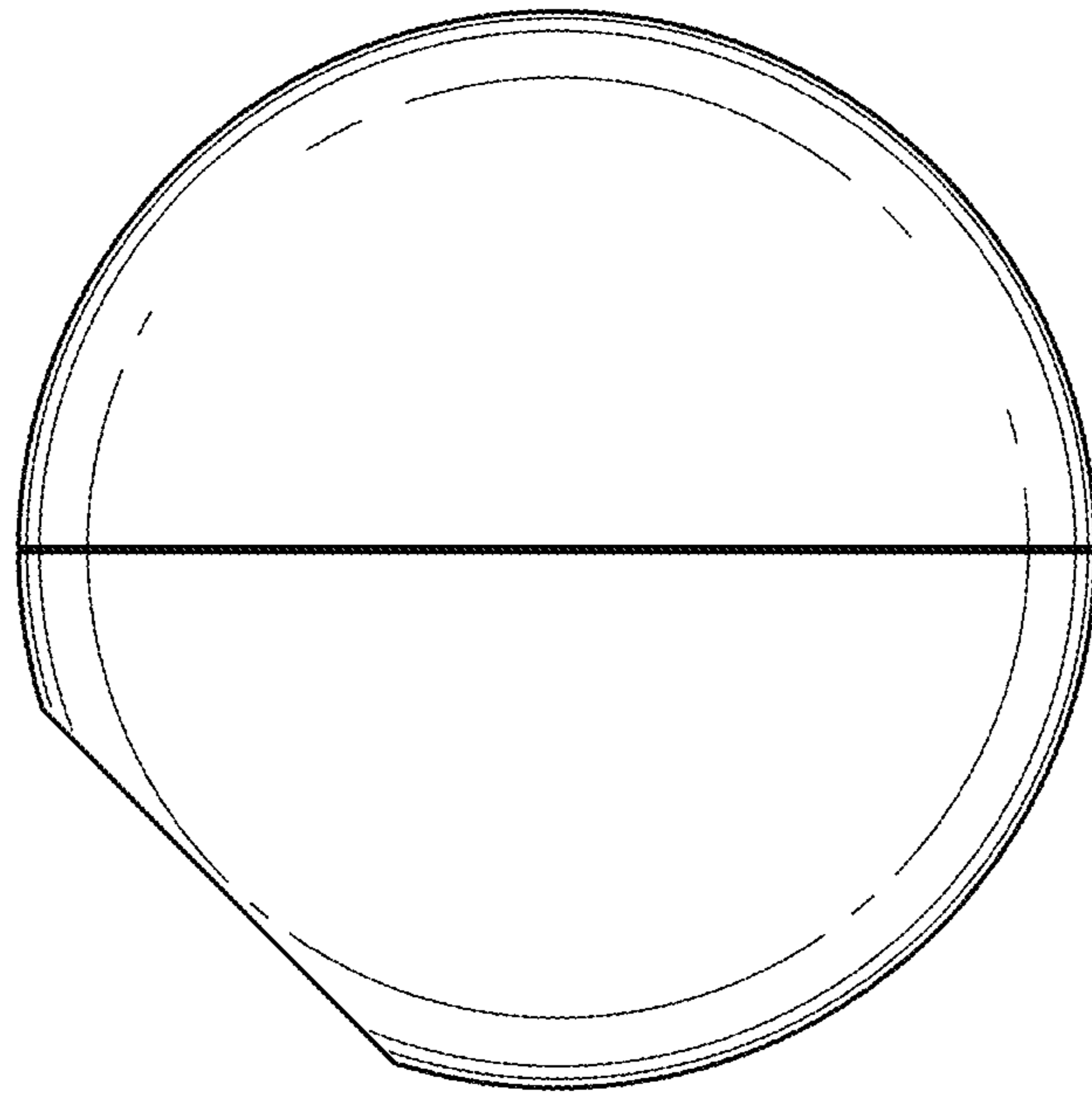


FIG. 2

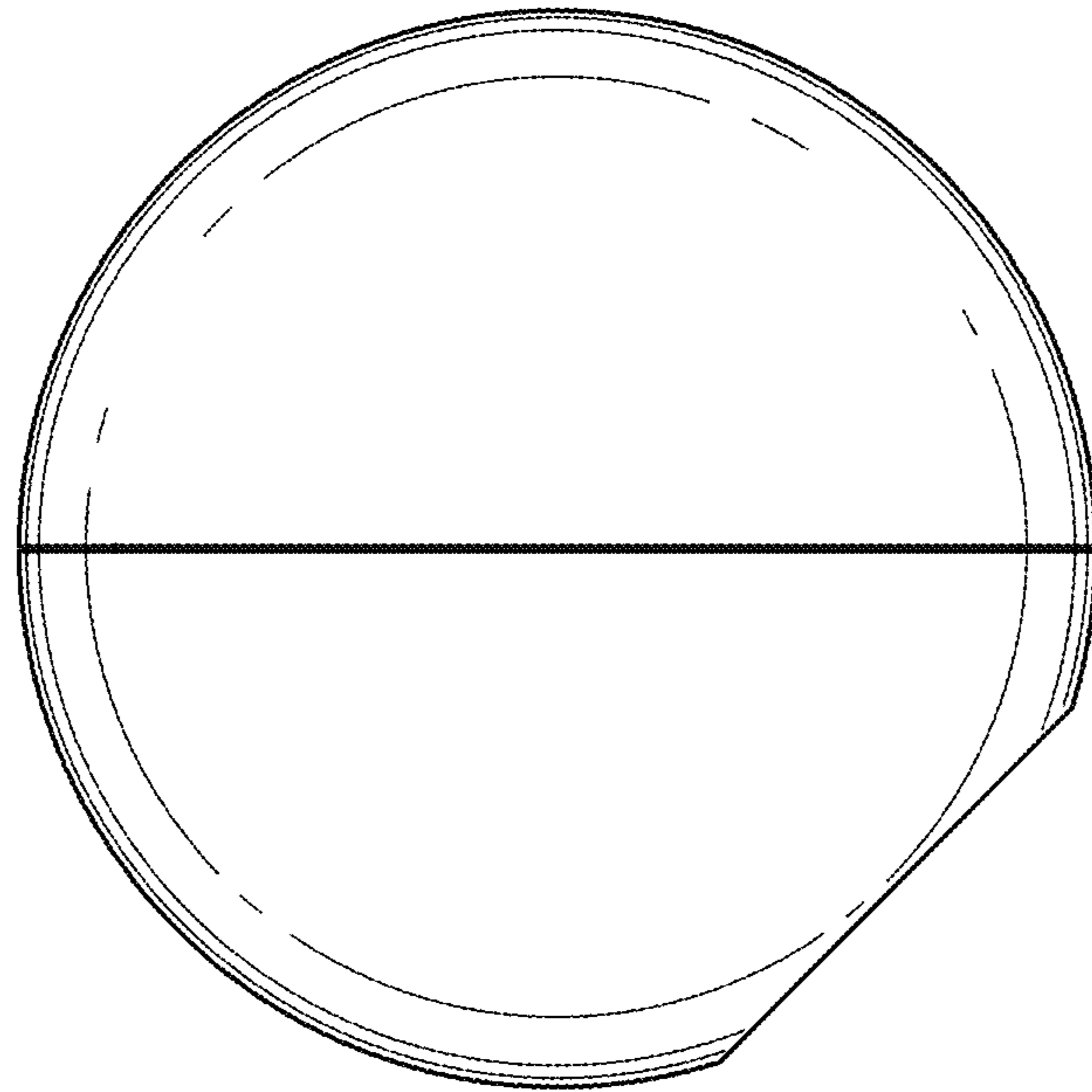


FIG. 3

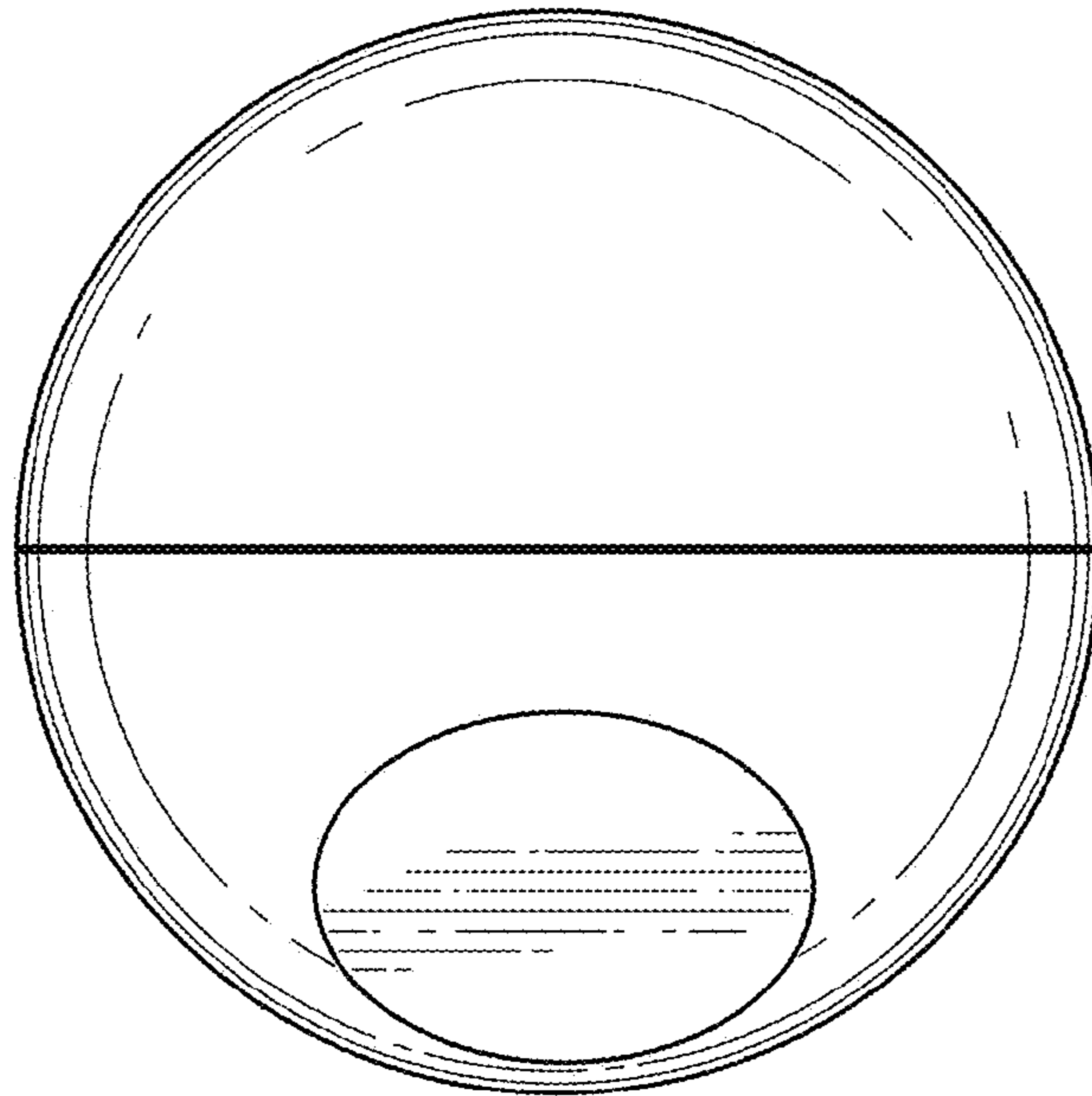


FIG. 4

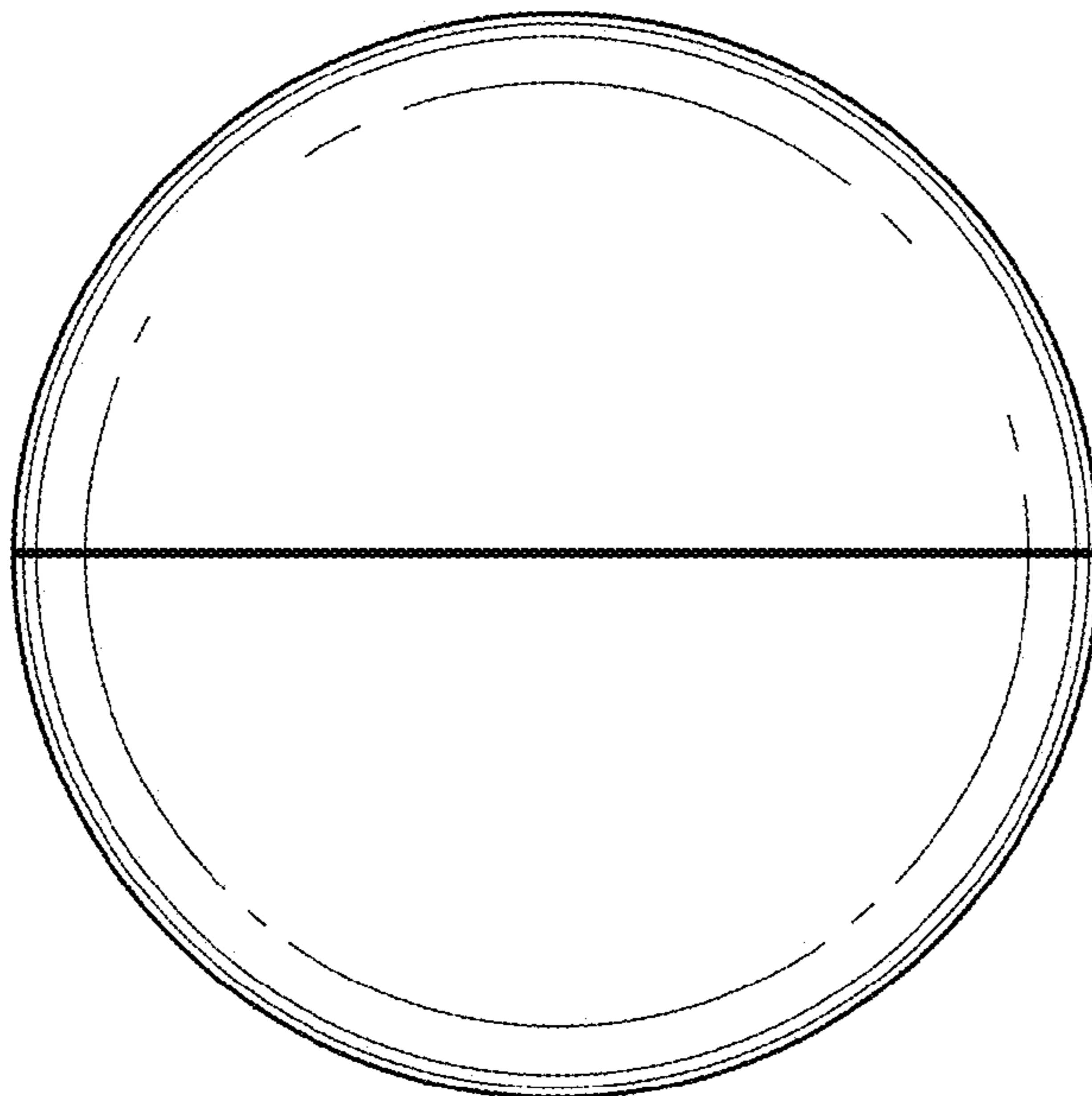


FIG. 5

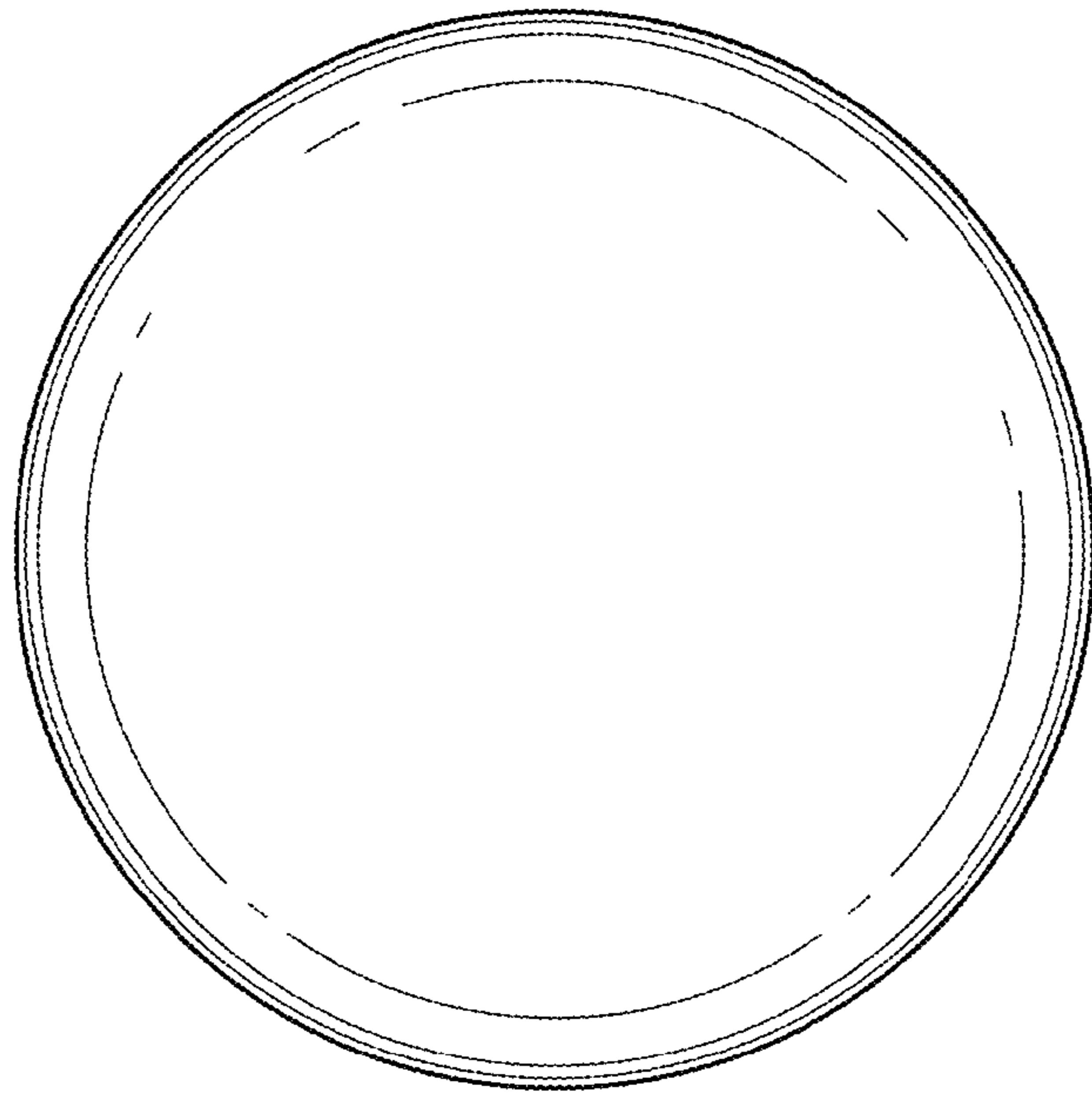


FIG. 6

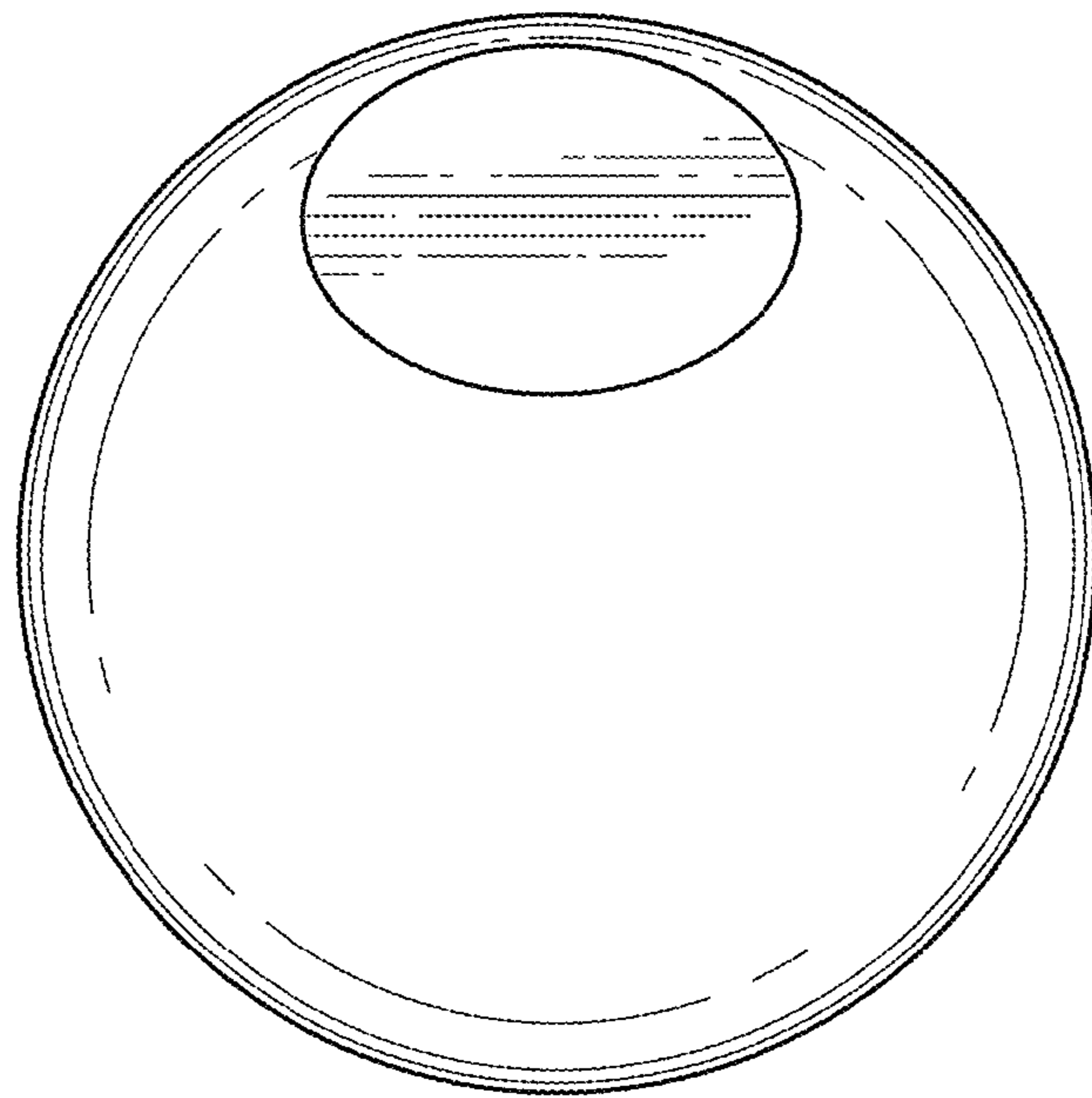


FIG. 7

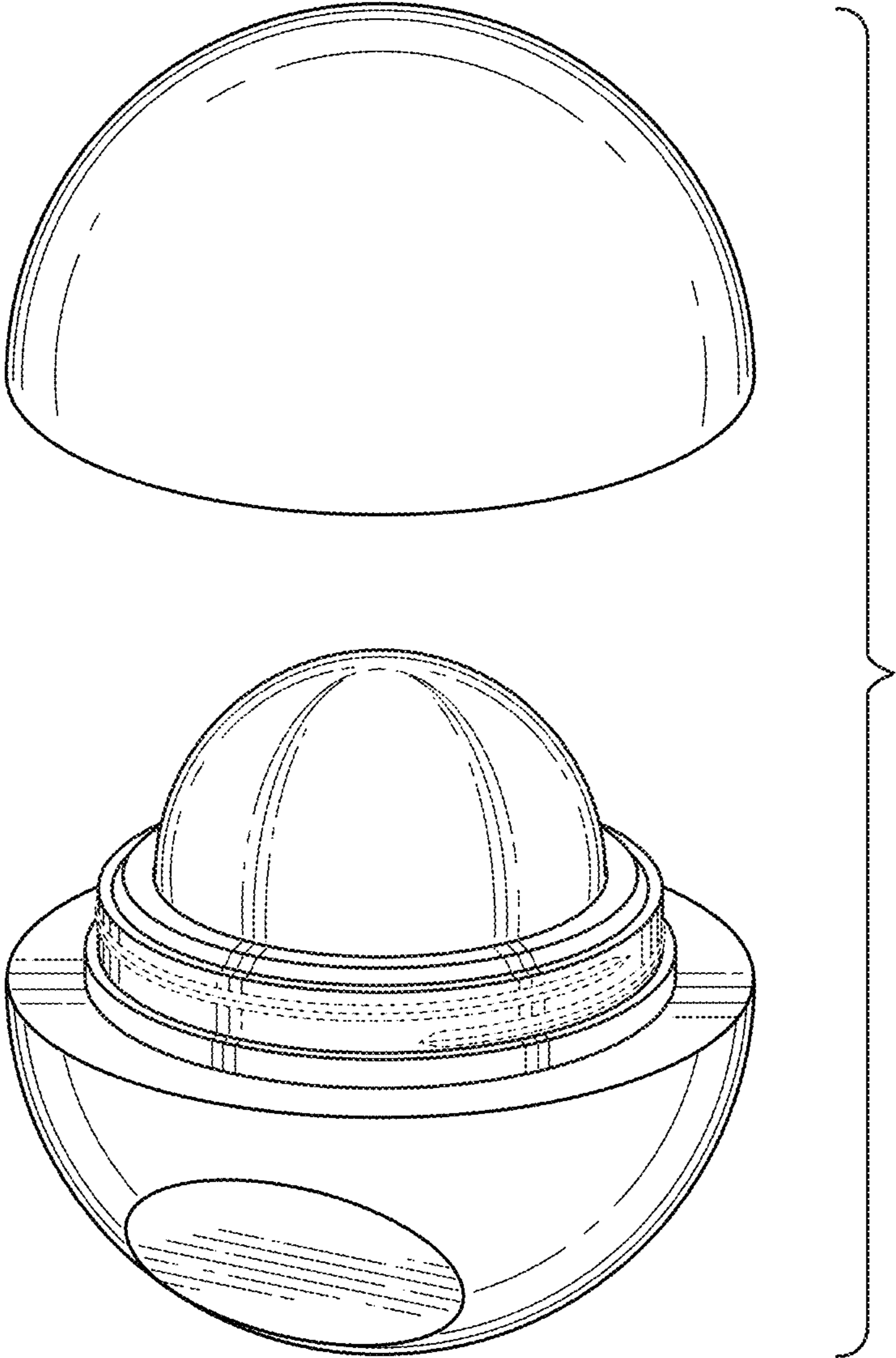


FIG. 8

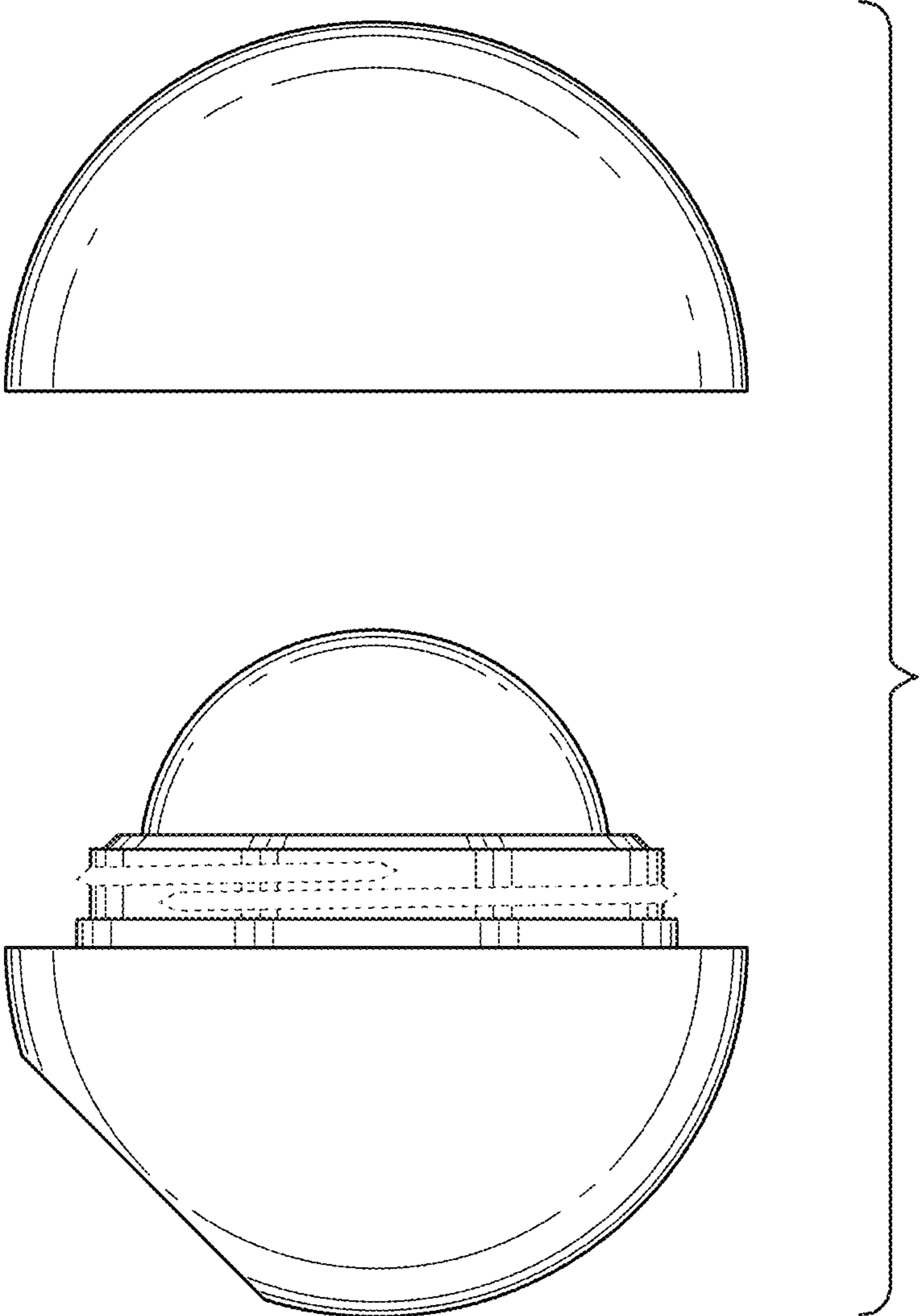


FIG. 9

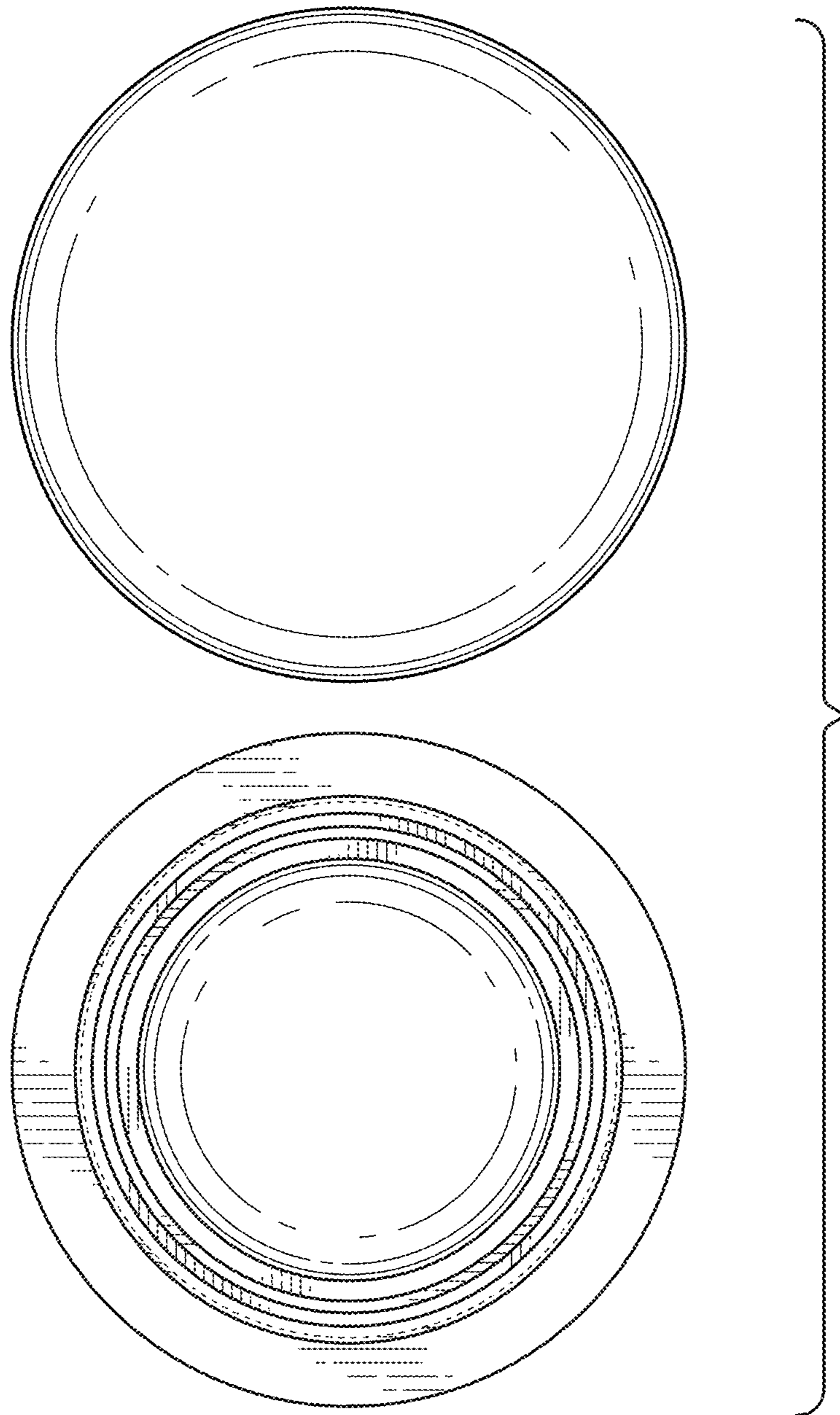


FIG. 10