



US00D726024S

(12) **United States Design Patent**
Peng

(10) **Patent No.:** **US D726,024 S**

(45) **Date of Patent:** **** Apr. 7, 2015**

(54) **DISPENSER CONTAINER**

(71) Applicant: **Pandian Peng**, Shenzhen (CN)

(72) Inventor: **Pandian Peng**, Shenzhen (CN)

(**) Term: **14 Years**

(21) Appl. No.: **29/484,230**

(22) Filed: **Mar. 7, 2014**

(51) **LOC (10) Cl.** **09-01**

(52) **U.S. Cl.**
USPC **D9/652; D9/521**

(58) **Field of Classification Search**
USPC D9/600, 652, 667, 500-504, 516,
D9/520-521; 206/457, 527; 215/381-384,
215/400; 220/890; D7/514-517, 520
See application file for complete search history.

(56) **References Cited**

U.S. PATENT DOCUMENTS

D427,073	S	*	6/2000	Gaffney et al.	D9/520
D443,516	S	*	6/2001	Fenton et al.	D9/521
D583,242	S	*	12/2008	Adler et al.	D9/516
D609,098	S	*	2/2010	Almstead et al.	D9/521
D612,263	S	*	3/2010	Miksovsky	D9/652
D612,264	S	*	3/2010	Miksovsky	D9/652
D612,741	S	*	3/2010	Miksovsky	D9/652

D644,525	S	*	9/2011	Howell et al.	D9/521
D644,527	S	*	9/2011	Howell et al.	D9/521
D675,923	S	*	2/2013	Bru	D9/521
D677,169	S	*	3/2013	Roos et al.	D9/652
D678,069	S	*	3/2013	Redmond	D9/521
D697,809	S	*	1/2014	de Cleir et al.	D9/521

* cited by examiner

Primary Examiner — Sandra Morris

(74) *Attorney, Agent, or Firm* — Global IP Group PLLC

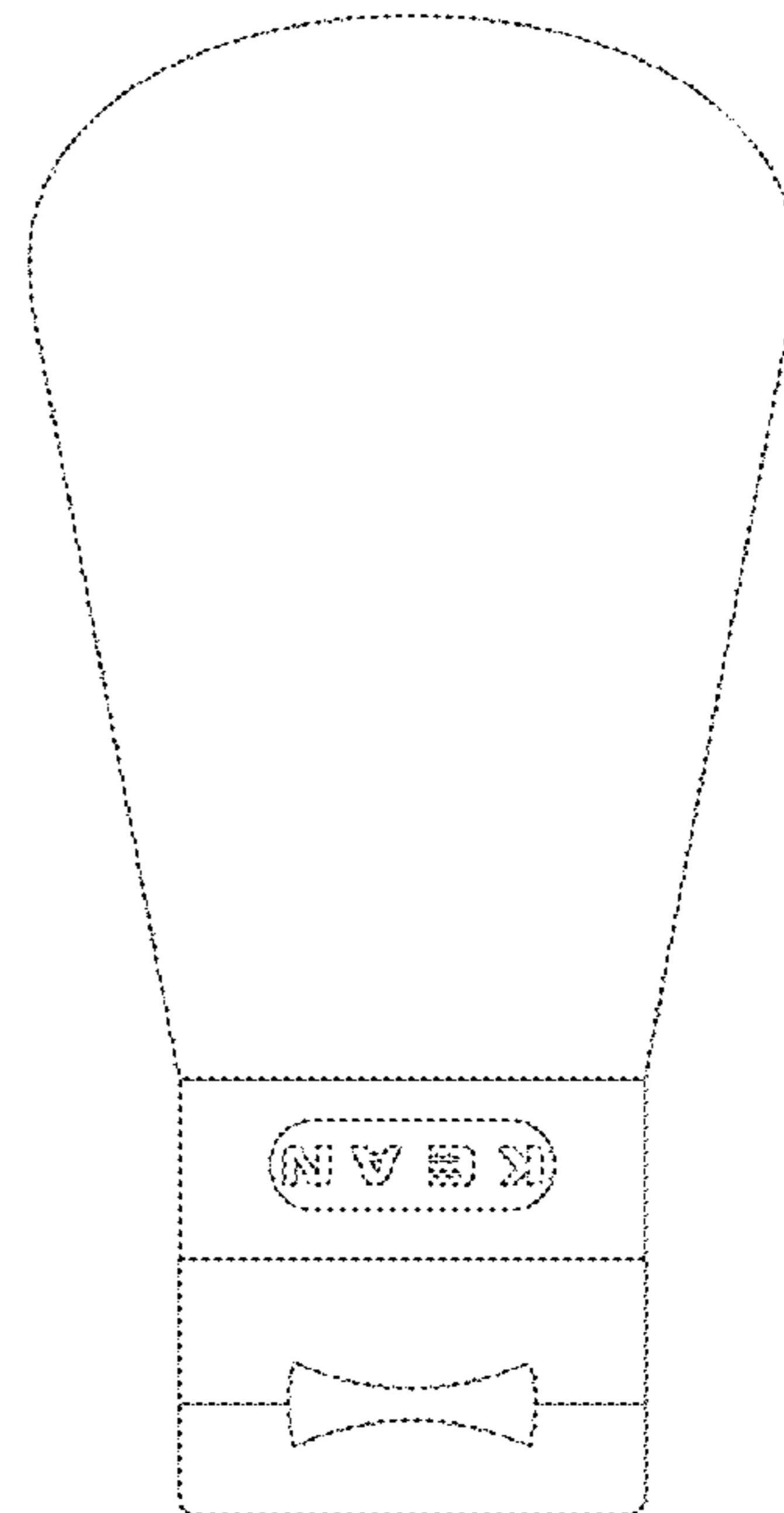
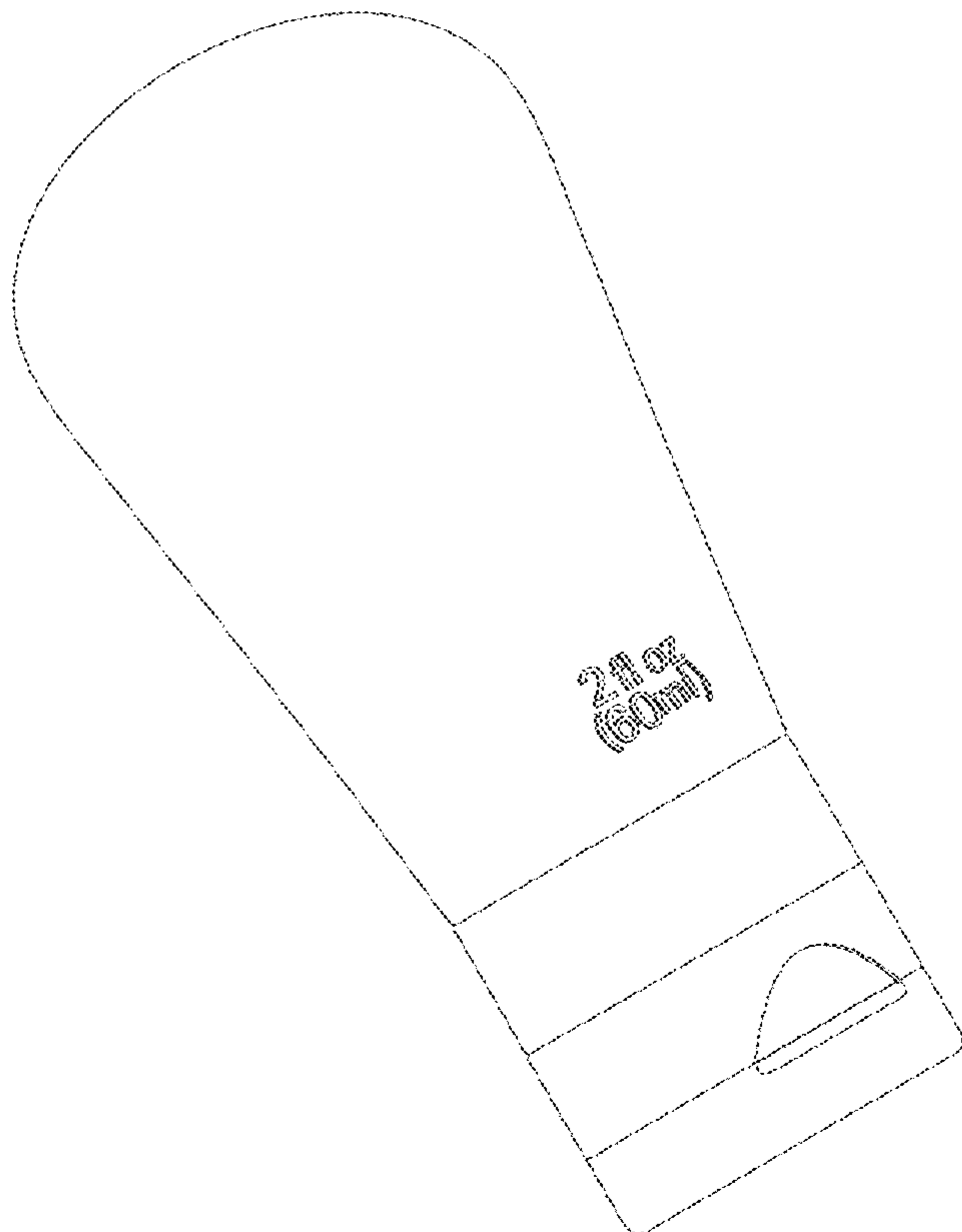
(57) **CLAIM**

The ornamental design for a dispenser container, as shown and described.

DESCRIPTION

FIG. 1 is a perspective view of the dispenser container showing my new design;
FIG. 2 is a front plan view thereof;
FIG. 3 is a back plan view thereof;
FIG. 4 is a left plan view thereof;
FIG. 5 is a right plan view thereof;
FIG. 6 is a downward plan view thereof;
FIG. 7 is an upward plan view thereof;
FIG. 8 is a cross-section view thereof taken along line A-A in FIG. 6; and,
FIG. 9 is a cross-section view thereof taken along line B-B in FIG. 6.

1 Claim, 9 Drawing Sheets



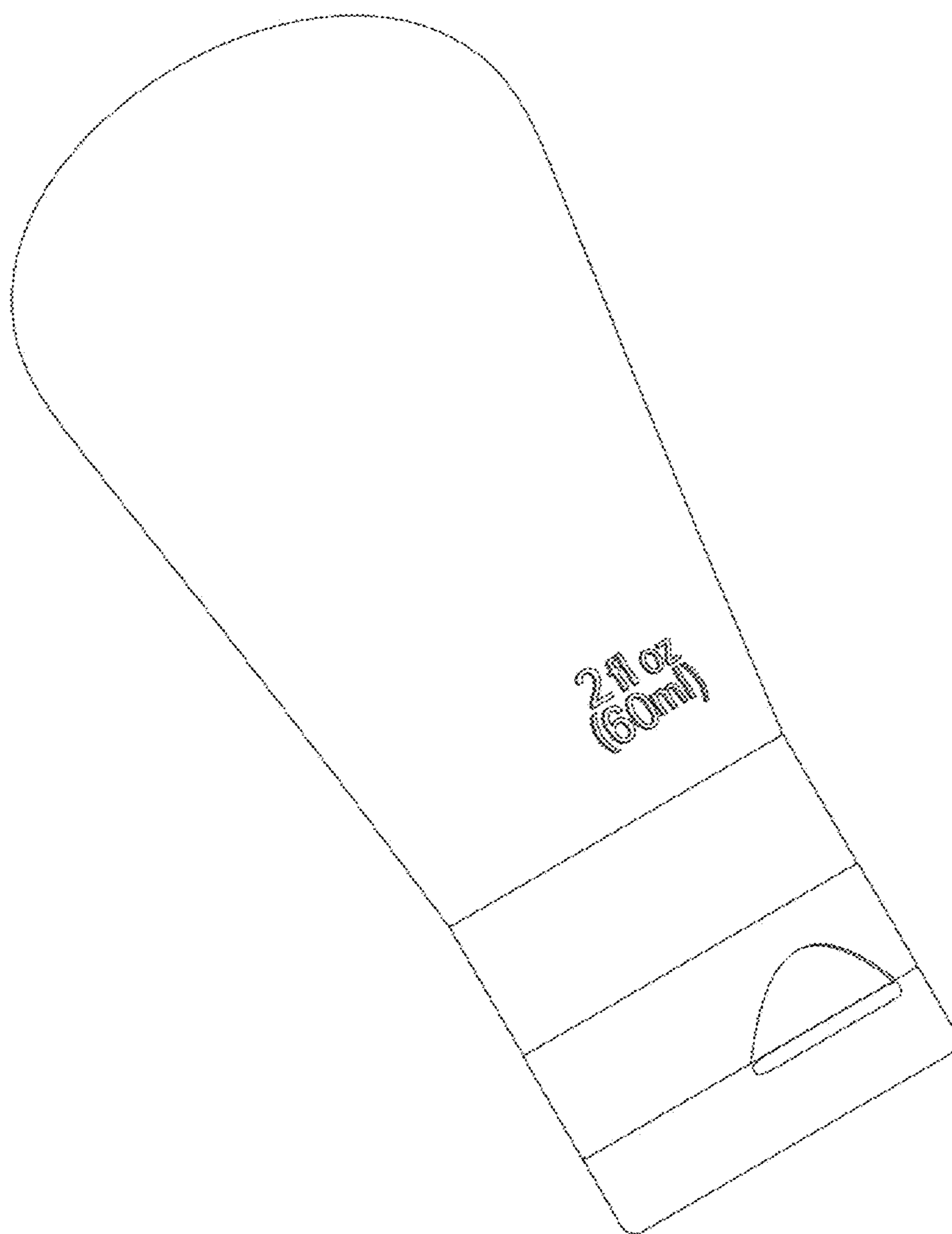


FIG. 1

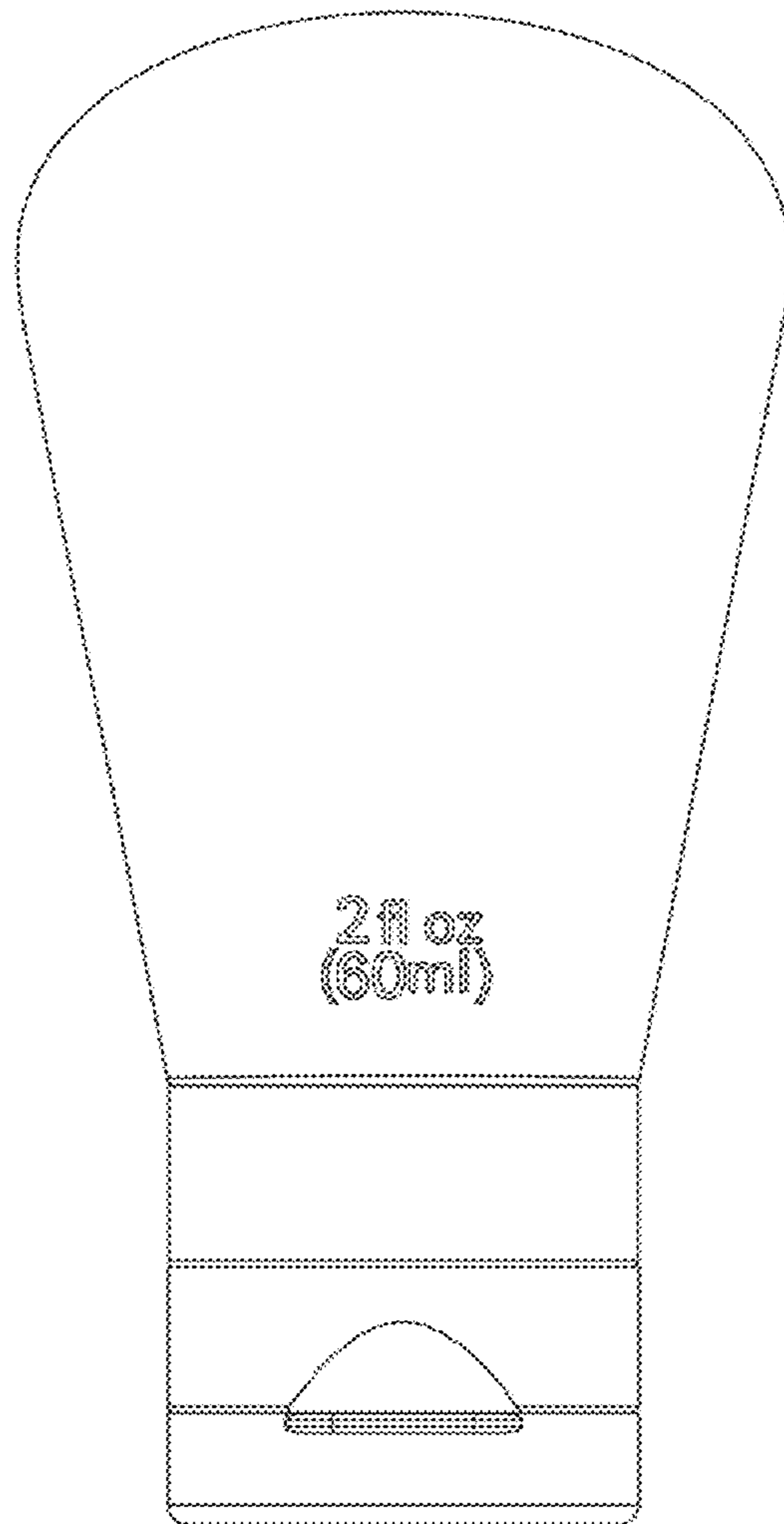


FIG. 2

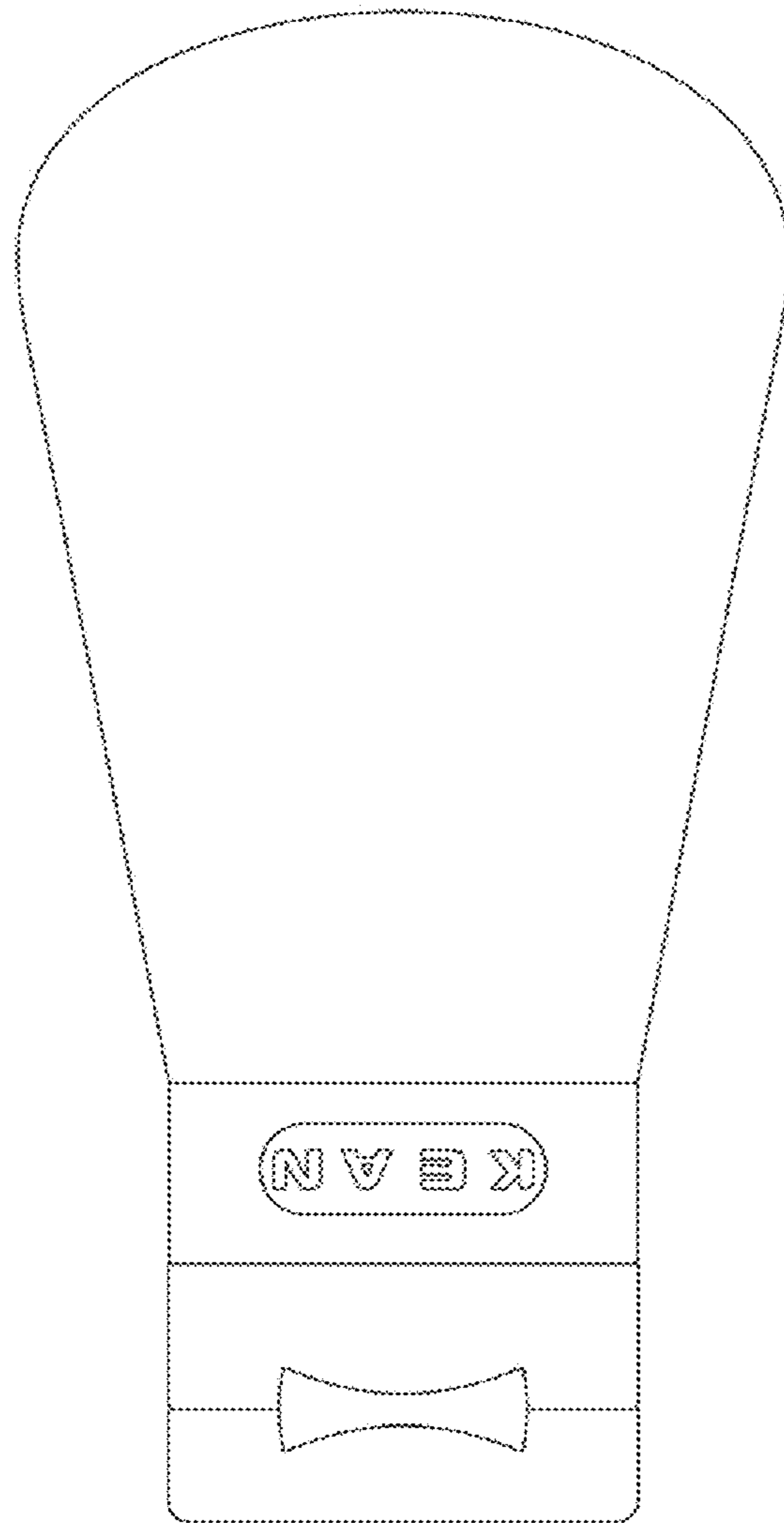


FIG. 3

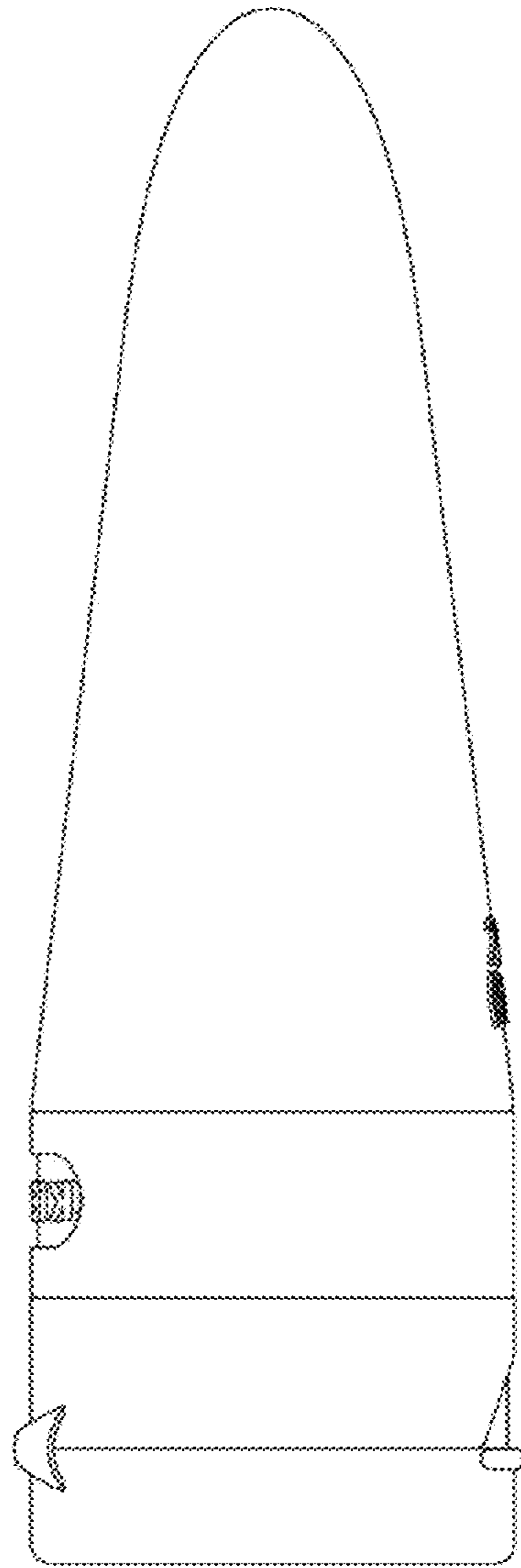


FIG. 4



FIG. 5

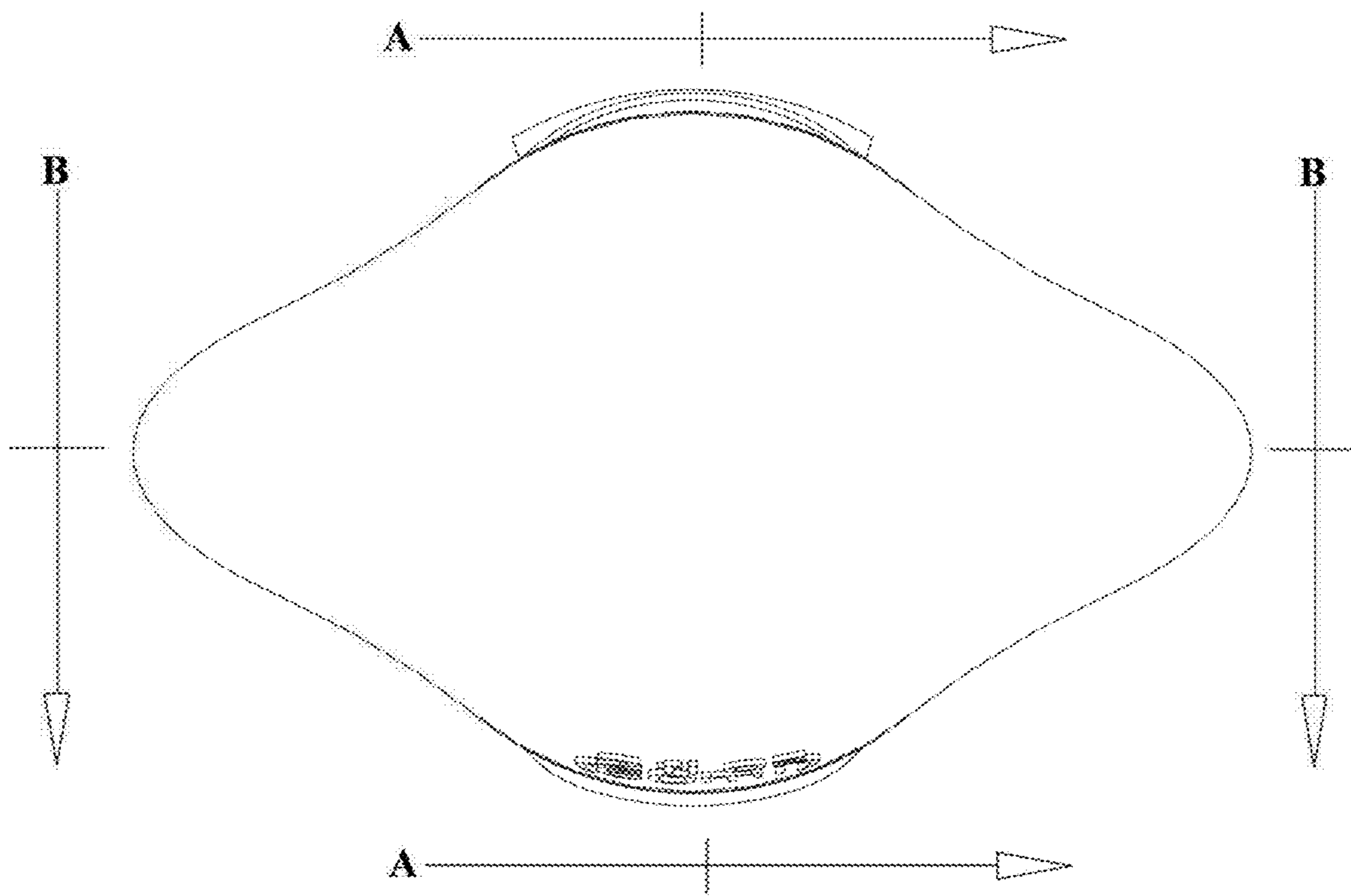


FIG . 6

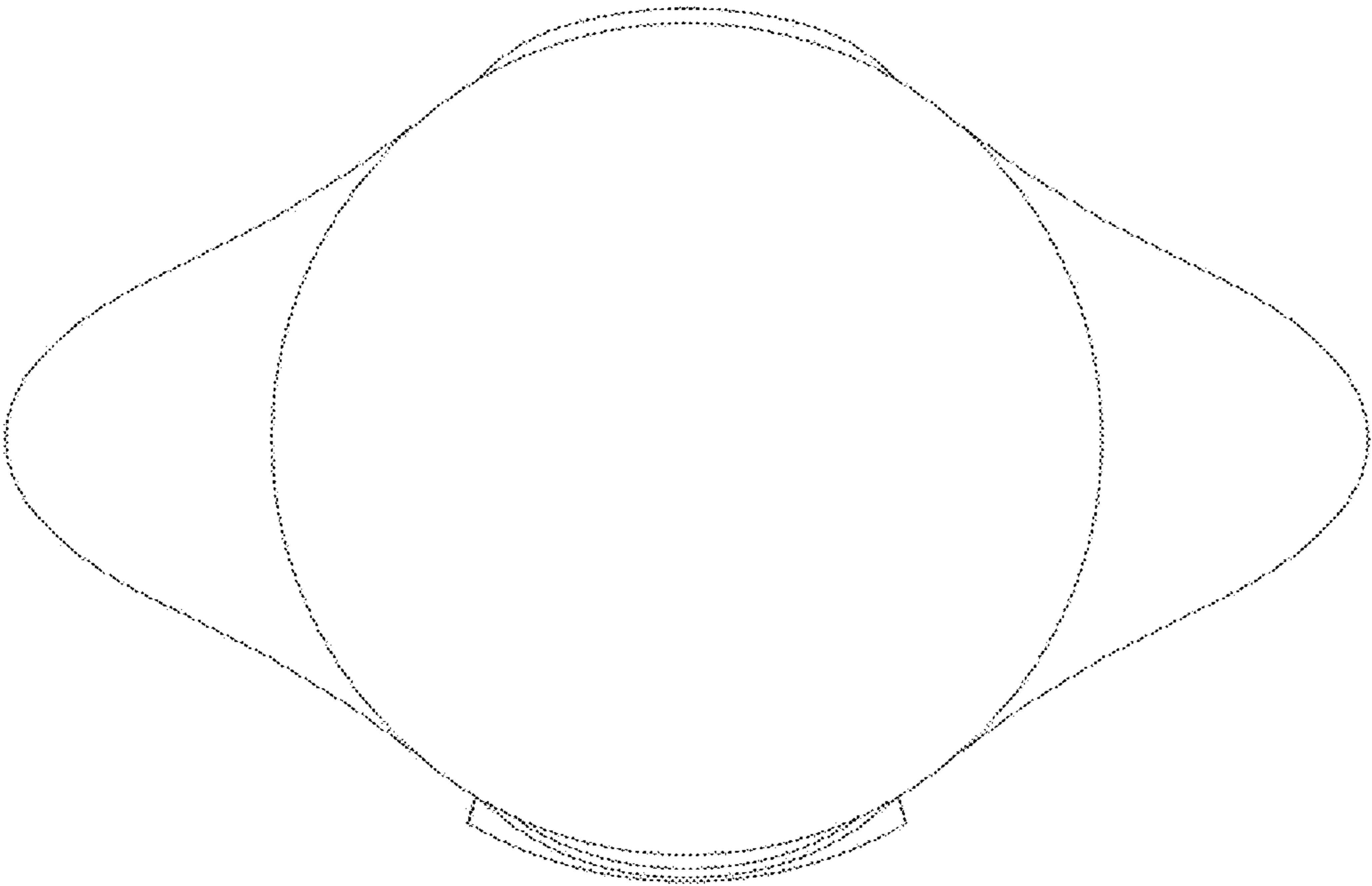


FIG. 7

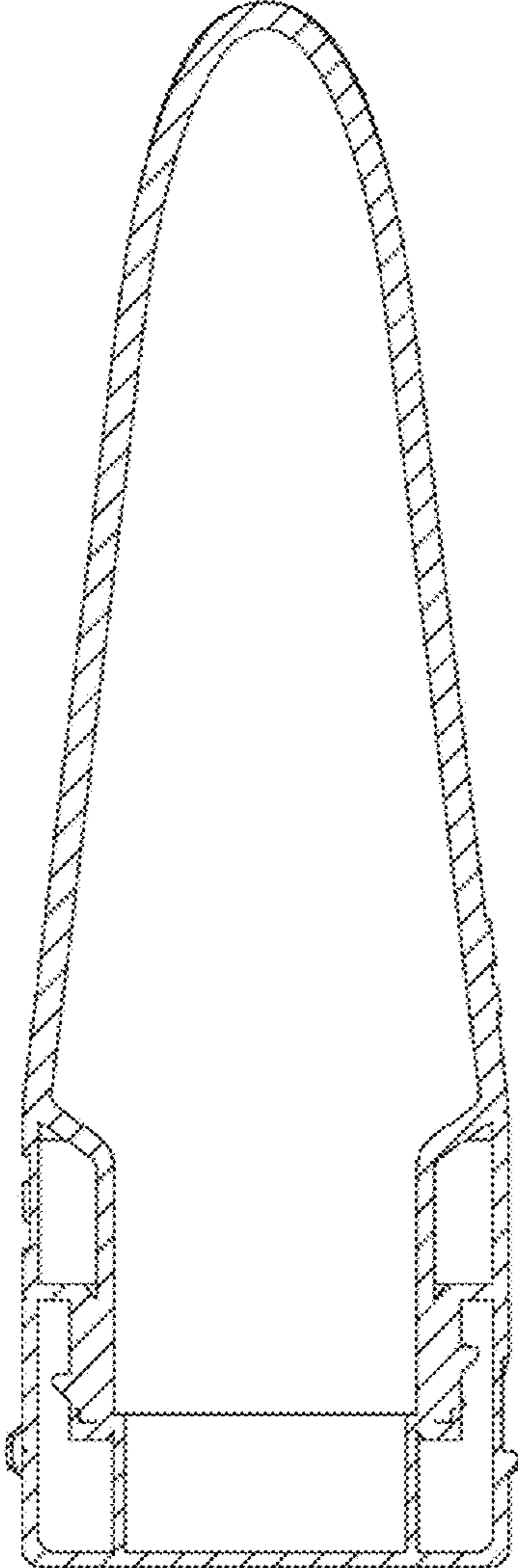


FIG. 8

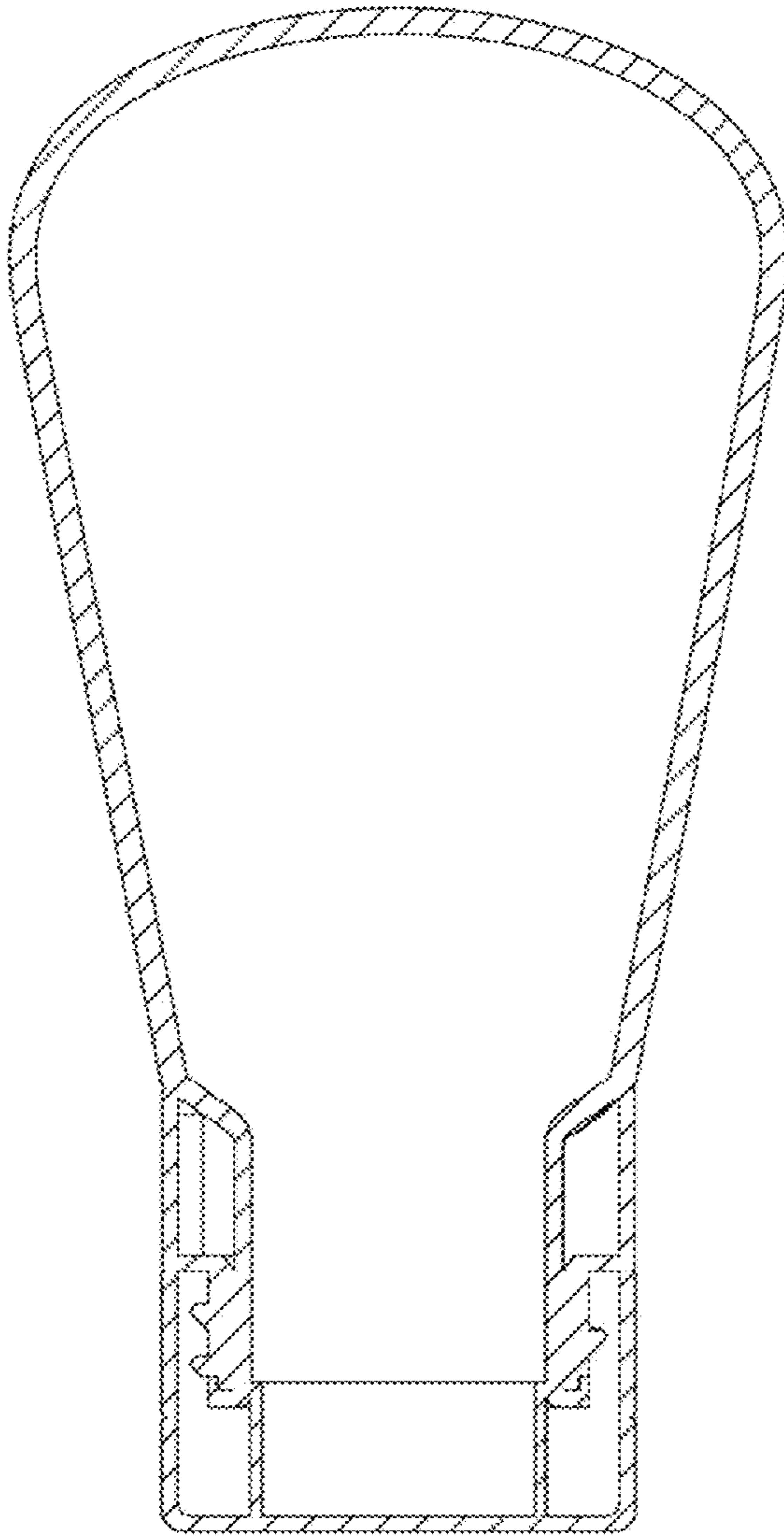


FIG. 9